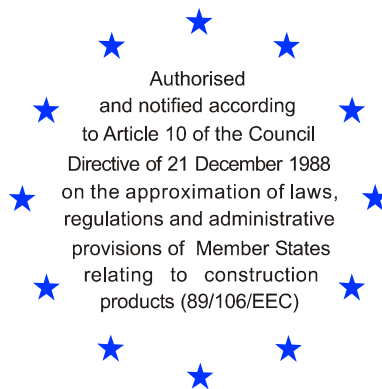


Deutsches Institut für Bautechnik

Anstalt des öffentlichen Rechts

Kolonnenstr. 30 L
10829 Berlin
Germany

Tel.: +49(0)30 787 30 0
Fax: +49(0)30 787 30 320
E-mail: dibt@dibt.de
Internet: www.dibt.de



DIBt

Mitglied der EOTA
Member of EOTA

European Technical Approval ETA-10/0255

English translation prepared by DIBt - Original version in German language

Handelsbezeichnung
Trade name

Würth Schwerlastanker W-TM
Würth Heavy-duty Anchor W-TM

Zulassungsinhaber
Holder of approval

Adolf Würth GmbH & Co. KG
Reinhold-Würth-Straße 12-17
74653 Künzelsau
DEUTSCHLAND

Zulassungsgegenstand
und Verwendungszweck
*Generic type and use
of construction product*

Kraftkontrolliert spreizender Dübel in den Größen M6, M8, M10
und M12 zur Verankerung im ungerissenen Beton
*Torque controlled expansion anchor of sizes M6, M8, M10 and M12 for use
in non-cracked concrete*

Geltungsdauer: vom
Validity: from
bis
to

13 July 2010
27 August 2014

Herstellwerk
Manufacturing plant

Werk 18

Diese Zulassung umfasst
This Approval contains

14 Seiten einschließlich 7 Anhänge
14 pages including 7 annexes



Europäische Organisation für Technische Zulassungen
European Organisation for Technical Approvals

I LEGAL BASES AND GENERAL CONDITIONS

- 1 This European technical approval is issued by Deutsches Institut für Bautechnik in accordance with:
 - Council Directive 89/106/EEC of 21 December 1988 on the approximation of laws, regulations and administrative provisions of Member States relating to construction products¹, modified by Council Directive 93/68/EEC² and Regulation (EC) N° 1882/2003 of the European Parliament and of the Council³;
 - Gesetz über das In-Verkehr-Bringen von und den freien Warenverkehr mit Bauprodukten zur Umsetzung der Richtlinie 89/106/EWG des Rates vom 21. Dezember 1988 zur Angleichung der Rechts- und Verwaltungsvorschriften der Mitgliedstaaten über Bauprodukte und anderer Rechtsakte der Europäischen Gemeinschaften (Bauproduktengesetz - BauPG) vom 28. April 1998⁴, as amended by law of 31 October 2006⁵;
 - Common Procedural Rules for Requesting, Preparing and the Granting of European technical approvals set out in the Annex to Commission Decision 94/23/EC⁶;
 - Guideline for European technical approval of "Metal anchors for use in concrete - Part 2: Torque controlled expansion anchors ", ETAG 001-02.
- 2 Deutsches Institut für Bautechnik is authorized to check whether the provisions of this European technical approval are met. Checking may take place in the manufacturing plant. Nevertheless, the responsibility for the conformity of the products to the European technical approval and for their fitness for the intended use remains with the holder of the European technical approval.
- 3 This European technical approval is not to be transferred to manufacturers or agents of manufacturers other than those indicated on page 1, or manufacturing plants other than those indicated on page 1 of this European technical approval.
- 4 This European technical approval may be withdrawn by Deutsches Institut für Bautechnik, in particular pursuant to information by the Commission according to Article 5(1) of Council Directive 89/106/EEC.
- 5 Reproduction of this European technical approval including transmission by electronic means shall be in full. However, partial reproduction can be made with the written consent of Deutsches Institut für Bautechnik. In this case partial reproduction has to be designated as such. Texts and drawings of advertising brochures shall not contradict or misuse the European technical approval.
- 6 The European technical approval is issued by the approval body in its official language. This version corresponds fully to the version circulated within EOTA. Translations into other languages have to be designated as such.

1 Official Journal of the European Communities L 40, 11 February 1989, p. 12

2 Official Journal of the European Communities L 220, 30 August 1993, p. 1

3 Official Journal of the European Union L 284, 31 October 2003, p. 25

4 *Bundesgesetzblatt Teil I 1998*, p. 812

5 *Bundesgesetzblatt Teil I 2006*, p. 2407, 2416

6 Official Journal of the European Communities L 17, 20 January 1994, p. 34

II SPECIFIC CONDITIONS OF THE EUROPEAN TECHNICAL APPROVAL

1 Definition of product and intended use

1.1 Definition of the product

The Würth Heavy-duty anchor W-TM (type W-TM / W-TM A4, type W-TM S / W-TM S A4, type W-TM SD) in the range of M6, M8, M10 and M12 is an anchor made of galvanised steel or stainless steel which is placed into a drilled hole and anchored by torque-controlled expansion.

An illustration of the product and intended use is given in Annexes 1 to 2.

1.2 Intended use

The anchor is intended to be used for anchorages for which requirements for mechanical resistance and stability and safety in use in the sense of the Essential Requirements 1 and 4 of Council Directive 89/106 EEC shall be fulfilled and failure of anchorages made with these products would cause risk to human life and/or lead to considerable economic consequences. The anchor is to be used only for anchorages subject to static or quasi-static loading in reinforced or unreinforced normal weight concrete of strength classes C20/25 at minimum and C50/60 at most according to EN 206:2000-12.

It may be anchored in non-cracked concrete only.

Anchor W-TM, W-TM S, W-TM SD made of galvanised steel:

The anchor may only be used in structures subject to dry internal conditions.

Anchor W-TM A4, W-TM S A4 made of stainless steel 1.4401, 1.4404, 1.4571:

The anchor may be used in structures subject to dry internal conditions and also in structures subject to external atmospheric exposure (including industrial and marine environment), or exposure in permanently damp internal conditions, if no particular aggressive conditions exist. Such particular aggressive conditions are e.g. permanent, alternating immersion in seawater or the splash zone of seawater, chloride atmosphere of indoor swimming pools or atmosphere with extreme chemical pollution (e.g. in desulphurization plants or road tunnels where de-icing materials are used).

The provisions made in this European technical approval are based on an assumed working life of the anchor of 50 years. The indications given on the working life cannot be interpreted as a guarantee given by the producer, but are to be regarded only as a means for choosing the right products in relation to the expected economically reasonable working life of the works.

2 Characteristics of the product and methods of verification

2.1 Characteristics of the product

The anchor corresponds to the drawings and provisions given in Annexes 3 and 4. The characteristic material values, dimensions and tolerances of the anchor not given in Annexes 3 and 4 shall correspond to the respective values laid down in the technical documentation⁷ of this European technical approval.

The characteristic values for the design of anchorages are given in Annexes 5 and 6.

Each anchor is marked with the identifying mark of the manufacturer, the anchor identity, the drill hole diameter and the anchor size according to Annex 3.

The anchor shall only be packaged and supplied as a complete unit.

⁷ The technical documentation of this European technical approval is deposited at the Deutsches Institut für Bautechnik and, as far as relevant for the tasks of the approved bodies involved in the attestation of conformity procedure, is handed over to the approved bodies.

2.2 Methods of verification

The assessment of fitness of the anchor for the intended use in relation to the requirements for mechanical resistance and stability and safety in use in the sense of the Essential Requirements 1 and 4 has been made in accordance with the "Guideline for European technical approval of Metal Anchors for Use in Concrete", Part 1 "Anchors in general" and Part 2 "Torque-controlled expansion anchors", on the basis of Option 7.

In addition to the specific clauses relating to dangerous substances contained in this European technical approval, there may be other requirements applicable to the products falling within its scope (e.g. transposed European legislation and national laws, regulations and administrative provisions). In order to meet the provisions of the Construction Products Directive, these requirements need also to be complied with, when and where they apply.

3 Evaluation and attestation of conformity and CE marking

3.1 System of attestation of conformity

According to the Decision 96/582/EG of the European Commission⁸ system 2(i) (referred to as system 1) of the attestation of conformity applies.

This system of attestation of conformity is defined as follows:

System 1: Certification of the conformity of the product by an approved certification body on the basis of:

- (a) Tasks for the manufacturer:
 - (1) factory production control;
 - (2) further testing of samples taken at the factory by the manufacturer in accordance with a prescribed control plan;
- (b) Tasks for the approved body:
 - (3) initial type-testing of the product;
 - (4) initial inspection of factory and of factory production control;
 - (5) continuous surveillance, assessment and approval of factory production control.

Note: Approved bodies are also referred to as "notified bodies".

3.2 Responsibilities

3.2.1 Tasks for the manufacturer

3.2.1.1 Factory production control

The manufacturer shall exercise permanent internal control of production. All the elements, requirements and provisions adopted by the manufacturer shall be documented in a systematic manner in the form of written policies and procedures, including records of results performed. This production control system shall insure that the product is in conformity with this European technical approval.

The manufacturer may only use initial / raw / constituent materials stated in the technical documentation of this European technical approval.

The factory production control shall be in accordance with the control plan which is part of the technical documentation of this European technical approval. The control plan is laid down in the context of the factory production control system operated by the manufacturer and deposited with Deutsches Institut für Bautechnik.⁹

The results of factory production control shall be recorded and evaluated in accordance with the provisions of the control plan.

⁸ Official Journal of the European Communities L 254 of 08.10.1996

⁹ The control plan is a confidential part of the European technical approval and only handed over to the approved body involved in the procedure of attestation of conformity. See section 3.2.2.

3.2.1.2 Other tasks of manufacturer

The manufacturer shall, on the basis of a contract, involve a body which is approved for the tasks referred to in section 3.1 in the field of in order to undertake the actions laid down in section 3.2.2 For this purpose, the control plan referred to in sections 3.2.1.1 and 3.2.2 shall be handed over by the manufacturer to the approved body involved.

The manufacturer shall make a declaration of conformity, stating that the construction product is in conformity with the provisions of this European technical approval.

3.2.2 Tasks for the approved bodies

The approved body shall perform the

- initial type-testing of the product,
- initial inspection of factory and of factory production control,
- continuous surveillance, assessment and approval of factory production control,

in accordance with the provisions laid down in the control plan.

The approved body shall retain the essential points of its actions referred to above and state the results obtained and conclusions drawn in a written report.

The approved certification body involved by the manufacturer shall issue an EC certificate of conformity of the product stating the conformity with the provisions of this European technical approval.

In cases where the provisions of the European technical approval and its control plan are no longer fulfilled the certification body shall withdraw the certificate of conformity and inform Deutsches Institut für Bautechnik without delay.

3.3 CE marking

The CE marking shall be affixed on each packaging of the anchor. The letters "CE" shall be followed by the identification number of the approved certification body, where relevant, and be accompanied by the following additional information:

- the name and address of the holder of the approval (legal entity responsible for the manufacturer),
- the last two digits of the year in which the CE marking was affixed,
- the number of the EC certificate of conformity for the product,
- the number of the European technical approval,
- the number of the guideline for European technical approval,
- use category (ETAG 001-1 Option 7),
- size.

4 Assumptions under which the fitness of the product for the intended use was favourably assessed

4.1 Manufacturing

The European technical approval is issued for the product on the basis of agreed data/information, deposited with the Deutsches Institut für Bautechnik, which identifies the product that has been assessed and judged. Changes to the product or production process, which could result in this deposited data/information being incorrect, should be notified to the Deutsches Institut für Bautechnik before the changes are introduced. Deutsches Institut für Bautechnik will decide whether or not such changes affect the approval and consequently the validity of the CE marking on the basis of the approval and if so whether further assessment or alterations to the approval shall be necessary.

4.2 Design of anchorages

The fitness of the anchor for the intended use is given under the following conditions:

The anchorages are designed in accordance with the "Guideline for European technical approval of Metal Anchors for Use in Concrete", Annex C, Method A, under the responsibility of an engineer experienced in anchorages and concrete work.

Verifiable calculation notes and drawings are taking account of the loads to be anchored.

The position of the anchor is indicated on the design drawings (e.g. position of the anchor relative to reinforcement or to supports).

4.3 Installation of anchors

The fitness for use of the anchor can only be assumed if the anchor is installed as follows:

- anchor installation carried out by appropriately qualified personnel and under the supervision of the person responsible for technical matters of the site,
- anchor installation in accordance with the manufacturer's specifications and drawings and using the appropriate tools,
- use of the anchor only as supplied by the manufacturer without exchanging the components of an anchor,
- hexagonal head bolt and washer for type W-TM / W-TM A4 may be used if the following requirements are fulfilled:
 - material, dimensions and mechanical properties of the metal parts according to the specifications given in Annex 3 and 4,
 - confirmation of material and mechanical properties of the metal parts by inspection certificate 3.1 according to EN 10204:2004, the documents should be stored,
 - Length of hexagonal head bolt according to Annex 4, Table 2 shall be complied with.
- checks before placing the anchor to ensure that the strength class of the concrete in which the anchor is to be placed is in the range given and is not lower than that of the concrete to which the characteristic loads apply,
- check of concrete being well compacted, e.g. without significant voids,
- edge distances and spacings not less than the specified values without minus tolerances,
- positioning of the drill holes without damaging the reinforcement,
- in case of aborted hole: new drilling at a minimum distance away of twice the depth of the aborted hole or smaller distance if the aborted drill hole is filled with high strength mortar and if under shear or oblique tension load it is not in the direction of load application,
- cleaning of the hole of drilling dust in accordance with Annex 7,
- anchor installation such that the effective anchorage depth is complied with. This compliance is ensured, if the leading edge of expander does not more exceed the concrete surface,
- application of the torque moment given in Annex 4 using a calibrated torque wrench.

5 Responsibility of the manufacturer

The manufacturer is responsible to ensure that the information on the specific conditions according to 1 and 2 including Annexes referred to as well as sections 4.2 and 4.3 is given to those who are concerned. This information may be made by reproduction of the respective parts of the European technical approval. In addition all installation data shall be shown clearly on the package and/or on an enclosed instruction sheet, preferably using illustration(s).

The minimum data required are:

- diameter of drill bit,
- thread diameter,
- maximum thickness of the fixture,
- minimum effective anchorage depth,
- minimum hole depth,
- torque moment,
- information on the installation procedure, including cleaning of the hole, preferably by means of an illustration,
- reference to any special installation equipment needed,
- identification of the manufacturing batch.

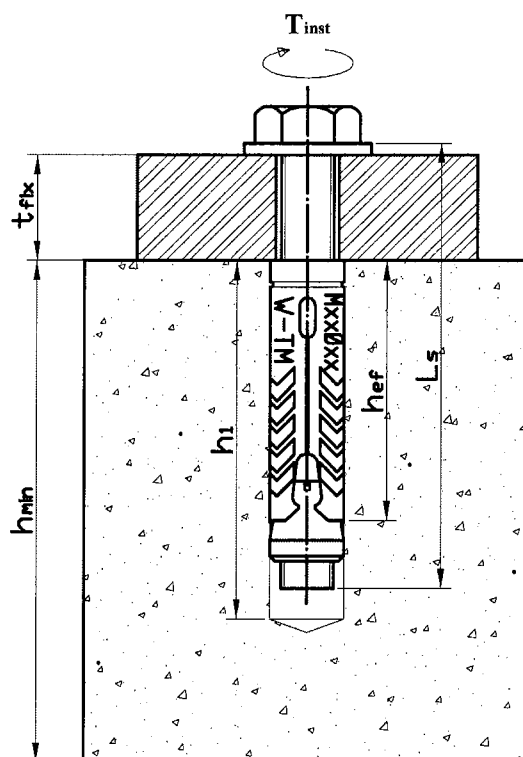
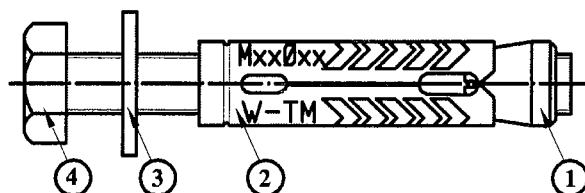
All data shall be presented in a clear and explicit form.

Dipl.-Ing. A. Kummerow
Deutsches Institut für Bautechnik
Berlin, 13 July 2010

beglaubigt
Tempel

Pre-setting installation:

Type W-TM (A4)¹⁾ and Type W-TM S (A4)²⁾



- ① Conical nut
- ② Expander
- ③ Washer
- ④ Hexagonal head bolt

1) The hexagon head bolt and the washer according to Table 1 and 2 must be purchased by the user
 2) The hexagon head bolt and the washer is provided by the manufacturer together with the anchor

Würth Heavy-duty anchor W-TM

Product and intended use

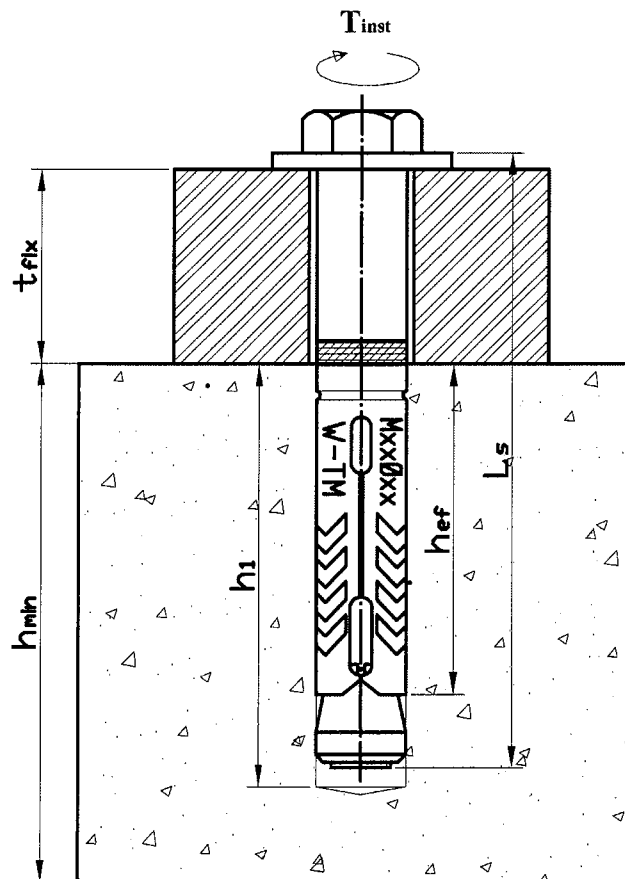
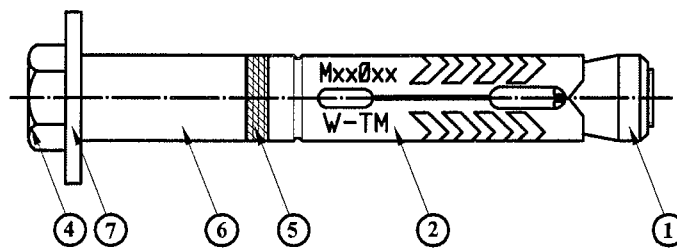
Annex 1

of European
 technical approval

ETA – 10/0255

Through-setting installation:

Type W-TM SD



- ① Conical nut
- ② Expander
- ④ Hexagonal head bolt
- ⑤ Spacer ring
- ⑥ Distance sleeve
- ⑦ Washer

Würth Heavy-duty anchor W-TM

Product and intended use

Annex 2

of European
technical approval

ETA 10/0255

Type W-TM (A4) / W-TM S (A4) / W-TM SD

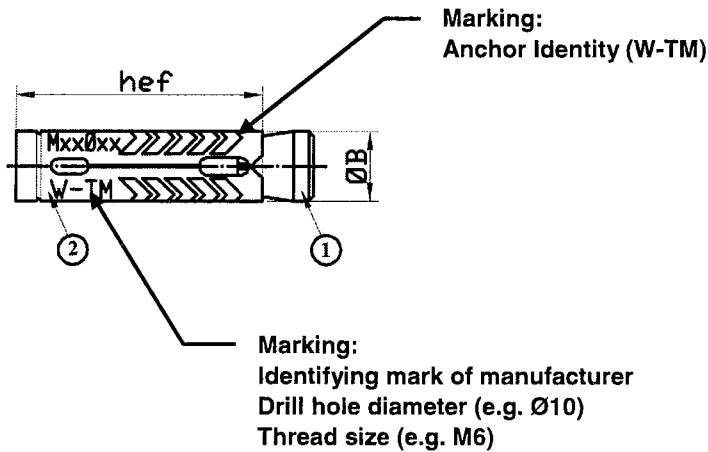


Table 1: Materials

Comp.	Denomination	Type	Material
1	Conical nut	W-TM W-TM S W-TM SD	Steel, EN 10087 Electrolytic zinc plated, EN ISO 4042 min. 5 µm
		W-TM A4 W-TM S A4	Stainless steel 1.4401, 1.4404 or 1.4571 EN 10088
2	Expander	W-TM W-TM S W-TM SD	Cold formed steel, EN 10111 Electrolytic zinc plated, EN ISO 4042 min. 5 µm
		W-TM A4 W-TM S A4	Stainless steel 1.4401, 1.4404 or 1.4571 EN 10088
3 / 7	Washer	W-TM W-TM S W-TM SD	Steel min. 140 HV Electrolytic zinc plated, EN ISO 4042 min. 5 µm
		W-TM A4 W-TM S A4	Stainless steel 1.4401, 1.4404 or 1.4571 EN 10088
4	Hexagonal head bolt	W-TM W-TM S W-TM SD	Steel, property class 8.8 Electrolytic zinc plated, EN ISO 4042 min. 5 µm
		W-TM A4 W-TM S A4	Stainless steel 1.4401, 1.4404 or 1.4571 EN 10088
5	Spacer ring	W-TM SD	Polypropylene
6	Distance sleeve	W-TM SD	Cold formed steel, EN 10111 or Drawn pipe E235 +C, EN 10305-2 Electrolytic zinc plated, EN ISO 4042 min. 5 µm

Würth Heavy-duty anchor W-TM

Marking, denomination and materials of anchor

Annex 3

of European
technical approval

ETA-10/0255

Table 2: installation data

Anchor size			M6	M8	M10	M12	
Effective anchorage depth	h_{ef}	[mm]	39,5	44,5	51,5	63,0	
Nominal drill hole diameter	d_0	[mm]	10	12	14	18	
Cutting diameter of drill bit	$d_{cut} \leq$	[mm]	10,45	12,50	14,50	18,50	
Drill hole depth	$h_1 \geq$	[mm]	$L_S - t_{fix} + 10$	$L_S - t_{fix} + 10$	$L_S - t_{fix} + 10$	$L_S - t_{fix} + 10$	
Clearance hole diameter in the fixture	W-TM (A4)	$d_f \leq$	[mm]	7	9	12	14
	W-TM S (A4)						
	W-TM SD	$d_f \leq$	[mm]	12	14	18	20
Torque moment	T_{inst}	[Nm]	10	25	40	75	
Min. fixture thickness	W-TM (A4)	$t_{fix,min}$	[mm]	1	1	1	1
	W-TM S (A4)						
	W-TM SD						
Max. fixture thickness	W-TM	$t_{fix,max}$	[mm]	150	200	250	300
	W-TM A4	$t_{fix,max}$	[mm]	50	65	85	70
	W-TM S (A4)	$t_{fix,max}$	[mm]	10	14	20	25
	W-TM SD	$t_{fix,max}$	[mm]	30	35	38	43
Hexagonal head bolt length	W-TM (A4)	$l_s \geq$	[mm]	$t_{fix}+45$	$t_{fix}+51$	$t_{fix}+60$	$t_{fix}+75$
	W-TM S (A4)	l_s	[mm]	55	65	80	100
	W-TM SD	l_s	[mm]	80	90	100	120

Table 3: Minimum thickness of concrete member, minimum spacing and minimum edge distances

Anchor size			M6	M8	M10	M12
Minimum thickness member	h_{min}	[mm]	135	135	140	160
minimum spacing	s_{min}	[mm]	65	90	135	165
minimum edge distance	c_{min}	[mm]	45	70	85	115

Würth Heavy-duty anchor W-TM

**Installation data,
minimum thickness of concrete member,
minimum spacing and minimum edge distances**

Annex 4

of European
technical approval

ETA-10/0255

**Table 4: Design method A,
Characteristic values for tension loads**

Anchor size			M6	M8	M10	M12
Steel failure						
Characteristic resistance, Anchor type W-TM, W-TM S, W-TM SD	$N_{Rk,s}$	[kN]	16,1	29,3	46,4	67,4
Partial safety factor	$\gamma_{Ms}^{1)}$	[-]	1,5			
Characteristic resistance, Anchor type W-TM A4, W-TM S A4	$N_{Rk,s}$	[kN]	14,1	25,6	40,6	59,0
Partial safety factor	$\gamma_{Ms}^{1)}$	[-]	1,87			
Pullout failure						
Characteristic resistance in non-cracked concrete C20/25, Anchor type W-TM, W-TM S, W-TM SD	$N_{Rk,p}$	[kN]	9	12	16	20
Characteristic resistance in non-cracked concrete C20/25, Anchor type W-TM A4, W-TM S A4	$N_{Rk,p}$	[kN]	7,5	9	12	16
Increasing factors for $N_{Rk,p}$	ψ_C	C30/37	[-]	1,17	1,08	1,22
		C40/50	[-]	1,33	1,15	1,41
		C50/60	[-]	1,50	1,23	1,55
Concrete cone failure						
Effective anchoring depth	h_{ef}	[mm]	39,5	44,5	51,5	63,0
Spacing	$s_{cr,N}$	[mm]	3 h_{ef}			
Edge distance	$c_{cr,N}$	[mm]	1,5 h_{ef}			
Splitting failure						
Spacing	$s_{cr,sp}$	[mm]	160	200	260	280
Edge distance	$c_{cr,sp}$	[mm]	80	100	130	140
Partial safety factor, Anchor type W-TM, W-TM S, W-TM SD	$\gamma_{Mp} = \gamma_{Msp} = \gamma_{Mc}^{1) 2)}$	[-]	1,8	2,1	2,1	1,5
Partial safety factor, Anchor type W-TM A4, W-TM S A4	$\gamma_{Mp} = \gamma_{Msp} = \gamma_{Mc}^{1) 2)}$	[-]	1,5	1,8	1,8	1,8

¹⁾ In absence of other national regulations

²⁾ The installation safety factor γ_2 is included

Table 5: Displacements under tension loads

Anchor size			M6	M8	M10	M12
Tension load	N	[kN]	3,6	4,1	5,4	9,5
Displacement	δ_{N0}	[mm]	0,4	0,3	0,3	0,3
	$\delta_{N\infty}$	[mm]	1,2			

Würth Heavy-duty anchor W-TM

**Design method A,
Characteristic values for tension loads,
displacements**

Annex 5

of European
technical approval

ETA-10/0255

**Table 6: Design method A,
Characteristic values for shear loads**

Anchor size			M6	M8	M10	M12
Steel failure without level arm						
Characteristic resistance, Anchor type W-TM, W-TM S, W-TM SD	$V_{Rk,s}$	[kN]	8,0	14,6	23,2	33,7
Partial safety factor	$\gamma_{Ms}^{1)}$	[-]	1,25			
Characteristic resistance, Anchor type W-TM A4, W-TM S A4	$V_{Rk,s}$	[kN]	7,0	12,8	20,3	29,5
Partial safety factor	$\gamma_{Ms}^{1)}$	[-]	1,56			
Steel failure with level arm						
Characteristic bending moment, Anchor type W-TM, W-TM S, W-TM SD	$M_{Rk,s}$	[Nm]	12,2	30,0	59,8	104,8
Partial safety factor	$\gamma_{Ms}^{1)}$	[-]	1,25			
Characteristic bending moment, Anchor type W-TM A4, W-TM S A4	$M_{Rk,s}$	[Nm]	10,7	26,2	52,3	91,7
Partial safety factor	$\gamma_{Ms}^{1)}$	[-]	1,56			
Concrete pry out failure						
Factor in equation (5.6), ETAG 001, Annex C, 5.2.3.3	k	[-]	1,0	1,0	1,0	2,0
Partial safety factor	$\gamma_{Mcp}^{1)}$	[-]	1,5			
Concrete edge failure						
Effective length of anchor in shear loading	l_f	[mm]	39,5	44,5	51,5	63,0
Effective external diameter of anchor	d_{nom}	[mm]	10	12	14	18
Partial safety factor	$\gamma_{Mc}^{1)2)}$	[-]	1,5			

¹⁾ In absence of other national regulations

²⁾ The installation safety factor γ_2 is included

Table 7: Displacements under shear loads

Anchor size			M6	M8	M10	M12
Shear load	Q	[kN]	5,1	6,9	7,6	9,5
Displacement	δ_{V0}	[mm]	6,0	5,3	5,3	5,0
	$\delta_{V\infty}$	[mm]	9,0	8,0	8,0	7,5

Würth Heavy-duty anchor W-TM

**Design method A,
characteristic values for shear load,
displacements**

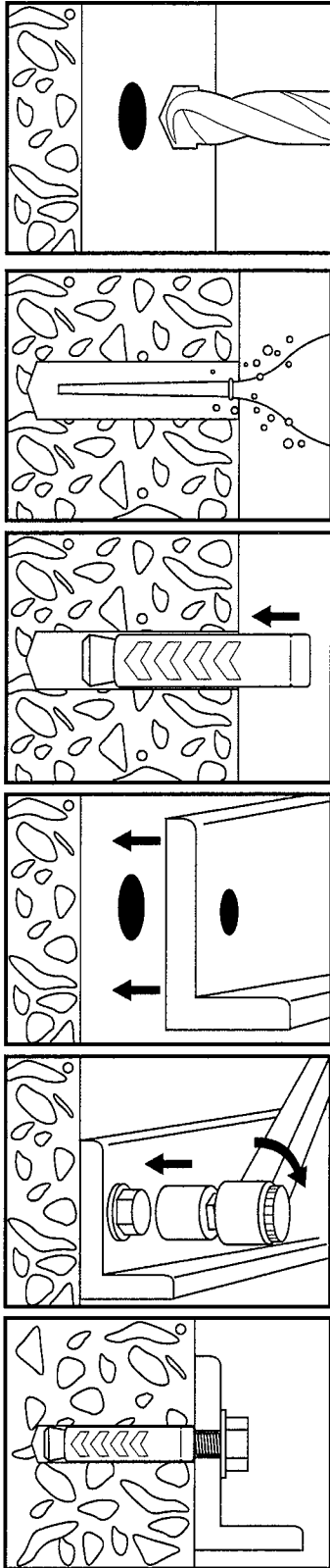
Annex 6

of European
technical approval

ETA-10/0255

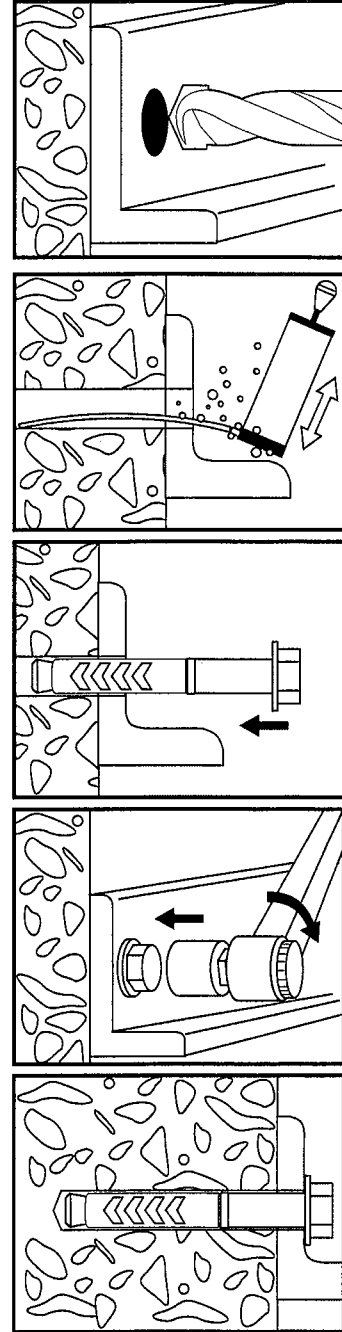
**Installation instruction for
Type W-TM (A4) / W-TM S (A4)**

Pre-setting installation



**Installation instruction for
Type W-TM SD**

Through-setting installation



Würth Heavy-duty anchor W-TM

Installation instructions

Annex 7

of European
technical approval

ETA-10/0255