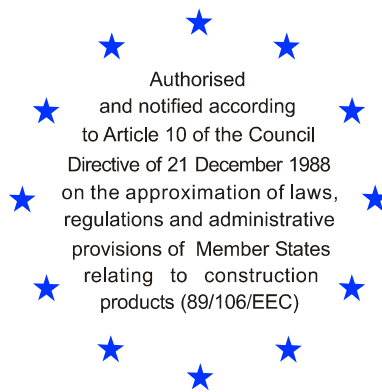


# Deutsches Institut für Bautechnik

Anstalt des öffentlichen Rechts

Kolonnenstr. 30 L  
10829 Berlin  
Germany

Tel.: +49(0)30 787 30 0  
Fax: +49(0)30 787 30 320  
E-mail: [dibt@dibt.de](mailto:dibt@dibt.de)  
Internet: [www.dibt.de](http://www.dibt.de)



# DIBt

Mitglied der EOTA  
*Member of EOTA*

## European Technical Approval ETA-05/0080

English translation prepared by DIBt - Original version in German language

### Handelsbezeichnung

*Trade name*

IsoFux NDT8LZ, IsoFux ND8LZ und IsoFux ND8LZ K

*IsoFux NDT8LZ, IsoFux ND8LZ and IsoFux ND8LZ K*

### Zulassungsinhaber

*Holder of approval*

RANIT-Befestigungssysteme GmbH

Lennestraße 3-5  
45701 Herten

### Zulassungsgegenstand und Verwendungszweck

*Generic type and use  
of construction product*

Nageldübel zur Befestigung von außenseitigen  
Wärmedämm-Verbundsystemen mit Putzschicht in  
Mauerwerk

*Nailed-in plastic anchor for fixing of external thermal insulation  
composite systems with rendering in masonry*

### Geltungsdauer:

*Validity:*

vom  
*from*  
bis  
*to*  
verlängert vom  
*extended from*  
bis  
*to*

22 April 2005

22 April 2010

22 April 2010

22 April 2015

### Herstellwerk

*Manufacturing plant*

RANIT-Befestigungssysteme GmbH

Lennestraße 3-5  
45701 Herten

Diese Zulassung umfasst

*This Approval contains*

18 Seiten einschließlich 8 Anhänge

*18 pages including 8 annexes*



Europäische Organisation für Technische Zulassungen  
European Organisation for Technical Approvals

## I LEGAL BASES AND GENERAL CONDITIONS

- 1 This European technical approval is issued by Deutsches Institut für Bautechnik in accordance with:
  - Council Directive 89/106/EEC of 21 December 1988 on the approximation of laws, regulations and administrative provisions of Member States relating to construction products<sup>1</sup>, modified by Council Directive 93/68/EEC<sup>2</sup> and Regulation (EC) N° 1882/2003 of the European Parliament and of the Council<sup>3</sup>;
  - Gesetz über das In-Verkehr-Bringen von und den freien Warenverkehr mit Bauprodukten zur Umsetzung der Richtlinie 89/106/EWG des Rates vom 21. Dezember 1988 zur Angleichung der Rechts- und Verwaltungsvorschriften der Mitgliedstaaten über Bauprodukte und anderer Rechtsakte der Europäischen Gemeinschaften (Bauproduktengesetz - BauPG) vom 28. April 1998<sup>4</sup>, as amended by law of 31 October 2006<sup>5</sup>;
  - Common Procedural Rules for Requesting, Preparing and the Granting of European technical approvals set out in the Annex to Commission Decision 94/23/EC<sup>6</sup>;
  - Guideline for European technical approval of "Plastic anchors for fixing of external thermal insulation composite systems with rendering", ETAG 014.
- 2 Deutsches Institut für Bautechnik is authorized to check whether the provisions of this European technical approval are met. Checking may take place in the manufacturing plant. Nevertheless, the responsibility for the conformity of the products to the European technical approval and for their fitness for the intended use remains with the holder of the European technical approval.
- 3 This European technical approval is not to be transferred to manufacturers or agents of manufacturers other than those indicated on page 1, or manufacturing plants other than those indicated on page 1 of this European technical approval.
- 4 This European technical approval may be withdrawn by Deutsches Institut für Bautechnik, in particular pursuant to information by the Commission according to Article 5(1) of Council Directive 89/106/EEC.
- 5 Reproduction of this European technical approval including transmission by electronic means shall be in full. However, partial reproduction can be made with the written consent of Deutsches Institut für Bautechnik. In this case partial reproduction has to be designated as such. Texts and drawings of advertising brochures shall not contradict or misuse the European technical approval.
- 6 The European technical approval is issued by the approval body in its official language. This version corresponds fully to the version circulated in EOTA. Translations into other languages have to be designated as such.

---

1 Official Journal of the European Communities N° L 40, 11 February 1989, p. 12

2 Official Journal of the European Communities N° L 220, 30 August 1993, p. 1

3 Official Journal of the European Union N° L 284, 31 October 2003, p. 25

4 *Bundesgesetzblatt Teil I 1998*, p. 812

5 *Bundesgesetzblatt Teil I 2006*, p.2407, 2416

6 Official Journal of the European Communities N° L 17, 20 January 1994, p. 34

## **II SPECIFIC CONDITIONS OF THE EUROPEAN TECHNICAL APPROVAL**

### **1 Definition of product and intended use**

#### **1.1 Definition of the construction product**

The RANIT nailed-in anchor type IsoFux NDT8LZ consists of a plastic sleeve, a plastic shaft with a plate and a threaded cover cap made of polyamide and an accompanying specific nailscrew of galvanised steel or stainless steel (for mounting on the surface of the insulating material). For deep mounting of the anchor in the insulating material this anchor type consists in addition of an accompanying insulation cover made of polystyrene or mineral wool.

For mounting on the surface the anchor type IsoFux NDT8LZ may in addition be combined with the anchor plates T90, T110 and T140.

The RANIT nailed-in anchor types IsoFux ND8LZ and IsoFux ND8LZ K consist of a plastic sleeve with a collar made of polyamide and an accompanying specific nailscrew of galvanised steel or stainless steel.

The anchor may also be installed by screwing in.

The installed anchor is shown in Annex 1 and 2.

#### **1.2 Intended use**

The anchor is intended to be used for anchorages for which requirements for safety in use in the sense of the Essential Requirement 4 of Council Directive 89/106/EEC shall be fulfilled and failure of anchorages made with these products would cause low risk to human life. The anchor is to be used only as multiple fixing for the anchorage of bonded thermal insulation composite systems (ETICS) according to ETAG 004 in masonry. The base material shall consist of masonry walls according to Table 5, Annex 6.

The anchor may only be used for transmission of wind suction loads and shall not be used for the transmission of dead loads of the thermal insulation composite system. The dead loads have to be transmitted by the adhesion of the thermal insulation composite system.

The anchor types IsoFux ND8LZ and IsoFux ND8LZ K may be used with the accompanying specific screw of stainless steel or with a thermal insulation cover of at least 50 mm and the accompanying specific screw of galvanised steel.

The provisions made in this European Technical Approval are based on an assumed working life of the anchor of 25 years. The indications given on the working life cannot be interpreted as a guarantee given by the producer, but are to be regarded only as a means for choosing the right products in relation to the expected economically reasonable working life of the works.

### **2 Characteristics of the product and methods of verification**

#### **2.1 Characteristics of the product**

The anchor corresponds to the drawings and information given in Annexes 3, 4 and 5. The characteristic material values, dimensions and tolerances of the anchor not given in these Annexes shall correspond to the respective values laid down in the technical documentation<sup>7</sup> of this European Technical Approval.

The characteristic values for the design of the anchorages are given in Annex 6.

---

<sup>7</sup> The technical documentation of this European Technical Approval is deposited at the Deutsches Institut für Bautechnik and, as far as relevant for the tasks of the approved bodies involved in the attestation of conformity procedure, is handed over to the approved bodies.

Each anchor is to be marked with the anchor identity, the identifying mark of the producer, the diameter and the length of the anchor. The minimum effective anchorage depth shall be marked.

The anchor shall only be packaged and supplied as a complete unit.

## 2.2 Methods of verification

The assessment of the fitness of the anchor for the intended use in relation to the requirements for safety in use in the sense of the Essential Requirement 4 has been made in compliance with

- the Guideline for European Technical Approval of "Plastic Anchors for Fixing of External Thermal Insulation Composite Systems with Rendering", ETAG 014, based on the use categories B and C,
- the EOTA Technical Report TR 025 "Determination of point thermal transmittance of plastic anchors for the anchorage of external thermal insulation composite systems (ETICS)" and
- the EOTA Technical Report TR 026 "Evaluation of plate stiffness from plastic anchors for fixing of external thermal insulation composite systems with rendering (ETICS)".

In addition to the specific clauses relating to dangerous substances contained in this European Technical Approval, there may be other requirements applicable to the products falling within its scope (e.g. transposed European legislation and national laws, regulations and administrative provisions). In order to meet the provisions of the Construction Products Directive, these requirements need also to be complied with, when and where they apply.

## 3 Evaluation and attestation of conformity and CE marking

### 3.1 System of attestation of conformity

According to the decision 97/463/EG of the European Commission<sup>8</sup> the system 2(ii) (referred to as system 2+) of attestation of conformity applies.

This system of attestation of conformity is defined as follows.

System 2+: Declaration of conformity of the product by the manufacturer on the basis of:

(a) Tasks for the manufacturer:

- (1) initial type-testing of the product;
- (2) factory production control;
- (3) testing of samples taken at the factory in accordance with a prescribed test plan.

(b) Tasks for the approved body:

- (4) certification of factory production control on the basis of:
  - initial inspection of factory and of factory production control;
  - continuous surveillance, assessment and approval of factory production control.

---

<sup>8</sup> Official Journal of the European Communities L 198 of 25.07.1997.

## **3.2 Responsibilities**

### **3.2.1 Tasks of the manufacturer**

#### **3.2.1.1 Factory production control**

The manufacturer shall exercise permanent internal control of production. All the elements, requirements and provisions adopted by the manufacturer shall be documented in a systematic manner in the form of written policies and procedures, including records of results performed. This production control system shall insure that the product is in conformity with this European Technical Approval.

The manufacturer may only use raw materials stated in the technical documentation of this European Technical Approval.

The factory production control shall be in accordance with the control plan which is part of the technical documentation of this European Technical Approval. The control plan is laid down in the context of the factory production control system operated by the manufacturer and deposited at Deutsches Institut für Bautechnik.<sup>9</sup>

The results of factory production control shall be recorded and evaluated in accordance with the provisions of the control plan.

#### **3.2.1.2 Other tasks of manufacturer**

The manufacturer shall, on the basis of a contract, involve a body which is approved for the tasks referred to in section 3.1 in the field of anchors in order to undertake the actions laid down in section 3.2.2. For this purpose, the control plan referred to in sections 3.2.1.1 and 3.2.2 shall be handed over by the manufacturer to the approved body involved.

The manufacturer shall make a declaration of conformity, stating that the construction product is in conformity with the provisions of this European Technical Approval.

### **3.2.2 Tasks of approved bodies**

The approved body shall perform

- the initial inspection of factory and of factory production control,
  - continuous surveillance, assessment and approval of factory production control,
- in accordance with the provisions laid down in the control plan.

The approved body shall retain the essential points of its actions referred to above and state the results obtained and conclusions drawn in a written report.

The approved certification body involved by the manufacturer shall issue an EC certificate of conformity of the factory production control stating the conformity with the factory production control of this European Technical Approval.

In cases where the provisions of the European Technical Approval and its control plan are no longer fulfilled the certification body shall withdraw the certificate of conformity and inform Deutsches Institut für Bautechnik without delay.

## **3.3 CE marking**

The CE marking shall be affixed on each packaging of the anchor. The letters "CE" shall be followed by the identification number of the approved certification body, where relevant, and be accompanied by the following additional information:

- the name and address of the producer (legal entity responsible for the manufacturer),
- the last two digits of the year in which the CE marking was affixed,
- the number of the EC certificate for the factory production control,
- the number of the European Technical Approval,

---

<sup>9</sup> The control plan is a confidential part of the documentation of the European Technical Approval, but not published together with the ETA and only handed over to the approved body involved in the procedure of attestation of conformity.  
See section 3.2.2.

- the number of the guideline for European Technical Approval
- use categories B and C.

#### **4 Assumptions under which the fitness of the product for the intended use was favourably assessed**

##### **4.1 Manufacturing**

The European Technical Approval is issued for the product on the basis of agreed data/information, deposited with Deutsches Institut für Bautechnik, which identifies the product that has been assessed and judged. Changes to the product or production process, which could result in this deposited data/information being incorrect, should be notified to Deutsches Institut für Bautechnik before the changes are introduced. Deutsches Institut für Bautechnik will decide whether or not such changes affect the ETA and consequently the validity of the CE marking on the basis of the ETA and if so whether further assessment or alterations to the ETA shall be necessary.

##### **4.2 Design of anchorages**

###### **4.2.1 General**

Fitness for the intended use of the anchor is given under the following conditions:

- The design of anchorages is carried out in compliance with ETAG 014 "Guideline for European Technical Approval of Plastic Anchors for Fixing of External Thermal Insulation Composite Systems with Rendering" under the responsibility of an engineer experienced in anchorages.
- Verifiable calculation notes and drawings shall be prepared taking account of the loads to be anchored, the nature and strength of the base materials, the thickness of insulation and the dimensions of the anchorage members as well as of the relevant tolerances.
- The anchor shall only be used for the transmission of wind suction loads. All other loads such as dead load and restraints shall be transmitted by the adhesion of the relevant external thermal insulation composite system.

Verification of stability of the external thermal insulation composite system including application of loads on the anchor and on the additional plates is not subject of this European Technical Approval.

###### **4.2.2 Resistance**

The characteristic values of the tension resistance of the anchor are given in Annex 6, Table 5. If there is a difference in the characteristic values of the base material or a similar base material of category B and C is supposed to be used, job-site tests according to 4.4 shall be carried out and the characteristic tension resistance shall be determined.

###### **4.2.3 Characteristic values, spacing and dimensions of anchorage member**

The minimum spacing and dimensions of anchorage member according to Annex 6 shall be observed.

#### 4.2.4 Displacement behaviour

The displacements are given in the following table.

**Table 4.1:** Displacements for RANIT IsoFux NDT8LZ, IsoFux ND8LZ, IsoFux ND8LZ K

Base material	Bulk density class $\rho$ [kg/dm <sup>3</sup> ]	Minimum compressive strength $f_b$ [N/mm <sup>2</sup> ]	Tension load $N$ [kN]	Displacements $\delta_m(N)$ [mm]
Clay brick, Mz (e.g. acc. to DIN 105)	≥ 2,0	12	0,50	0,5
Sand-lime solid brick, KS (e.g. acc. to DIN 106)	≥ 1,6	12	0,50	0,5
Lightweight concrete solid blocks, Vbl (e.g. acc. to DIN 18152)	≥ 0,9	2	0,20	0,3
Vertically perforated sand-lime brick, KSL (e.g. acc. to DIN 106)	≥ 1,4	12	0,50	0,5
Vertically perforated clay brick, HLz (e.g. acc. to DIN 105)	≥ 1,0	12	0,20	0,3
Lightweight concrete hollow blocks, Hbl (e.g. acc. to DIN 18151)	≥ 0,7	2	0,10	0,3
Vertically perforated clay brick, HLz (e.g. acc. to ÖNORM B6124)	≥ 1,0	12	0,30	0,3

#### 4.2.5 Point thermal transmittance according EOTA Technical Report TR 025

The point thermal transmittance (CHI-value) of the anchor according EOTA Technical Report TR 025 "Determination of point thermal transmittance of plastic anchors for the anchorage of external thermal insulation composite systems (ETICS)" is given in the following table for use category B and C respectively.

**Table 4.2:** Point thermal transmittance

Anchor type	Insulation thickness $h_D$ [mm]	Point thermal transmittance $\chi$ [W/K]
RANIT IsoFux NDT8LZ mounted on the surface	60 - 160	0,002
RANIT IsoFux NDT8LZ mounted countersunk with insulation cover	80 - 180	

#### 4.2.6 Plate stiffness according EOTA Technical Report TR 026

The plate stiffness of the anchor according EOTA Technical Report TR 026 "Evaluation of plate stiffness from plastic anchors for fixing of external thermal insulation composite systems with rendering (ETICS)" is given in the following table.

**Table 4.3:** Plate stiffness

Anchor type	Diameter of the anchor plate [mm]	Load resistance of the anchor plate [kN]	Plate stiffness [kN/mm]
RANIT IsoFux NDT8LZ	60	4,2	0,8

### 4.3 Installation

The fitness for use of the anchor can only be assumed if the following conditions of installation are met:

- The fitness for use of the anchor can only be assumed if the following conditions of installation are met:
- Anchor installation carried out by appropriately qualified personnel under the supervision of the person responsible for technical matters on site.
- Deep mounting of the anchor only by using the additional special RANIT installation tool.
- Use of the anchor only as supplied by the manufacturer without exchanging any component of the anchor.
- Anchor installation in accordance with the manufacturer's specifications and drawings using the tools indicated in this European Technical Approval.
- Use of the setting tool for IsoFux (see Annex 4), if an anchor with a length  $\geq 305$  mm shall be installed.
- Checks before placing the anchor, to ensure that the characteristic values of the base material in which the anchor is to be placed, is identical with the values, which the characteristic loads apply for.
- Observation of the drill method (Drill holes in masonry made of vertically perforated clay bricks, lightweight concrete blocks or lightweight concrete hollow blocks may only be drilled using the rotary drill. Other drilling methods may also be used if job-site tests according to 4.4 evaluate the influence of hammer or impact drilling.)
- Temperature during installation of the anchor  $\geq 0^{\circ}\text{C}$ .
- For deep mounting: Final cover of the anchor plate with the special RANIT insulation cover (using the same insulation material as for the ETICS).
- For mounting on the surface: Final cover of the anchor plate with the special RANIT threaded cover cap.

### 4.4 Job site tests

#### 4.4.1 General

The characteristic tension resistance of the anchor may be determined by means of job site pull-out tests carried out on the material actually used, if a characteristic resistance of the base material does not exist (for example masonry made of other solid masonry units, hollow or perforated bricks, hollow blocks).

The characteristic resistance of the anchor shall be determined by carrying out at least 15 centric tension load pull-out tests on site. These tests are also possible under the same conditions in a laboratory.

Execution and evaluation of the tests as well as the issue of the test report and the determination of the characteristic resistance should be under the responsibility of approved testing laboratories or the supervision of the person responsible for the execution of the works on site.

Number and position of the anchors to be tested shall be adapted to the relevant special conditions of the site and, for example, to be increased in the case of hidden and larger areas, such that reliable information about the characteristic resistance of the anchor in the base material in question can be derived. The tests shall take into account the most unfavourable conditions of the practical execution.



#### 4.4.2 Assembly

The anchor to be tested shall be installed (e.g. preparation of drill hole, drilling tool to be used, drill bit) and the spacing and the edge distances shall be in the same way as planned for the fixing of the external thermal insulation composite system.

Depending on the drilling tool and according to ISO 5468, hard metal hammer-drill bits or hard metal percussion drill bits, respectively, shall be used. The cutting diameter shall be at the upper tolerance limit.

#### 4.4.3 Execution of test

The test rig used for the pull-out tests shall provide a continuous slow increase of the load, controlled by a calibrated load cell. The load shall apply perpendicular to the surface of the base material and shall be transmitted to the anchor via a hinge. The reaction forces shall be transmitted into the base material at a distance of at least 15 cm from the anchor. The load shall be increased continuously in a way that the ultimate load is reached after about 1 minute. The load is measured when the ultimate load ( $N_1$ ) is achieved.

#### 4.4.4 Test report

The test report shall include all information necessary to assess the resistance of the tested anchor. It shall be included in the construction dossier.

The minimum data required are:

- Construction site, owner of building; date and location of the tests, air temperature; type of member (ETICS) to be fixed
- Masonry (type of brick, strength class, all dimensions of bricks, mortar group); Visual assessment of masonry (flush joints, joint clearance, regularity)
- Plastic anchor and nailscrew; value of the cutting diameter of hard metal hammer-drill bits, measured before and after drilling
- Test rig; results of tests including the indication of value  $N_1$
- Tests carried out or supervised by; signature

#### 4.4.5 Evaluation of test results

The characteristic resistance  $N_{Rk1}$  is obtained from the measured values of  $N_1$  as follows:

$$N_{Rk1} = 0,6 \cdot N_1 \leq 1,5 \text{ kN}$$

$$N_1 = \text{the mean value of the five smallest measured values at the ultimate load}$$

## **5 Indications for the manufacturer**

### **5.1 Responsibility of the manufacturer**

It is in the responsibility of the manufacturer to ensure that the information on the specific conditions according to 1 and 2 including Annexes referred to 4 is given to those who are concerned. This information may be made by reproduction of the respective parts of the European Technical Approval. In addition, all installation data shall be shown clearly on the packaging and/or on an enclosed instruction sheet, preferably using illustrations.

The minimum data required are:

- base material for the intended use,
- drill bit diameter,
- maximum thickness of the ETICS,
- minimum effective anchorage depth,
- minimum hole depth,
- information on the installation procedure,
- identification of the manufacturing batch.

All data shall be presented in a clear and explicit form.

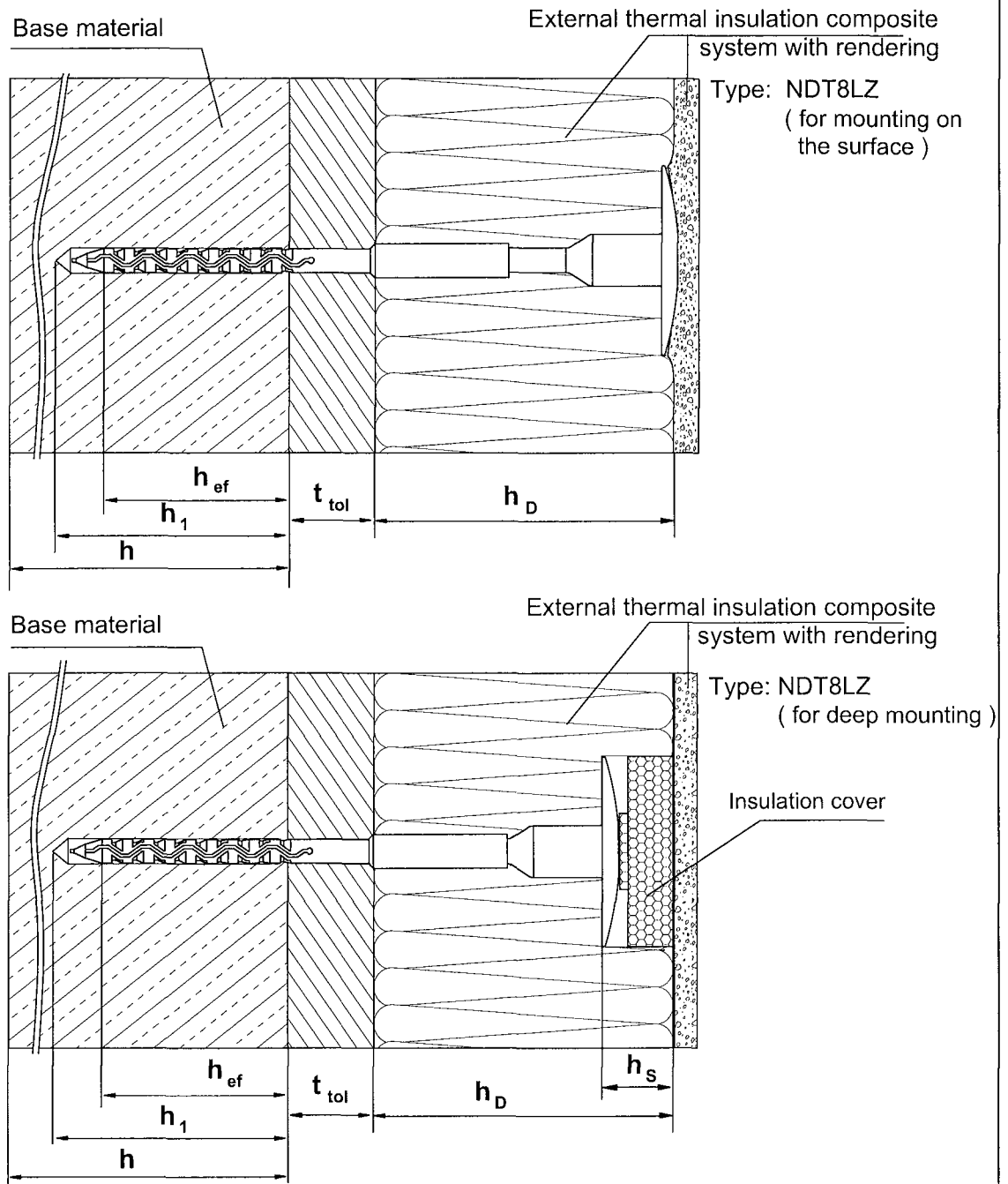
### **5.2 Packaging, transport and storage**

The anchor shall only be packaged and supplied as a complete unit.

The anchor shall be stored under normal climatic conditions in its original light-proof packaging. Before installation, it shall not be extremely dried nor frozen.

Georg Feistel  
Head of Department

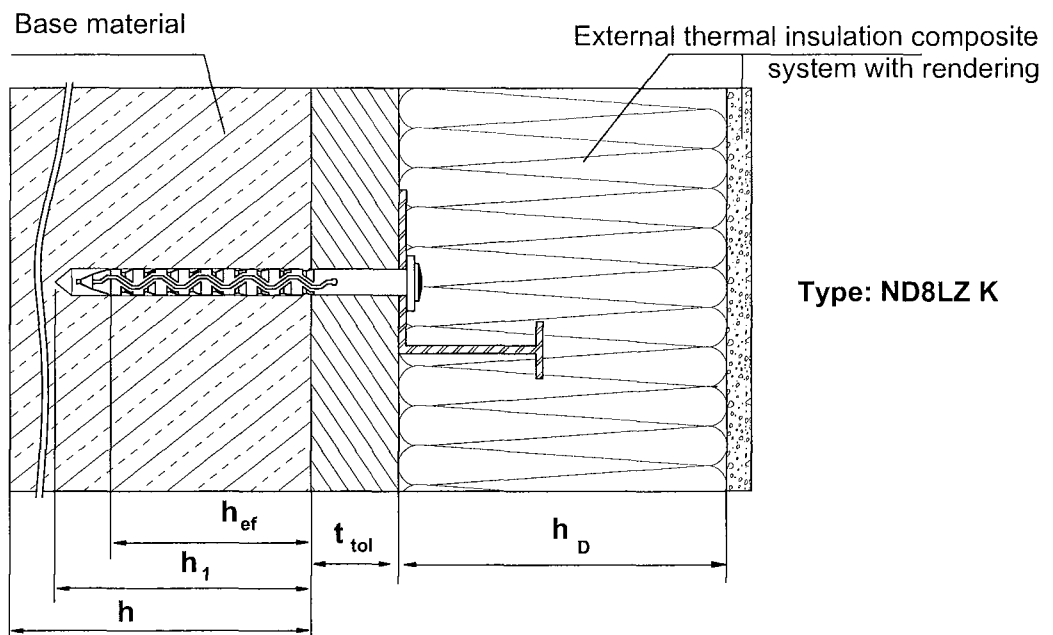
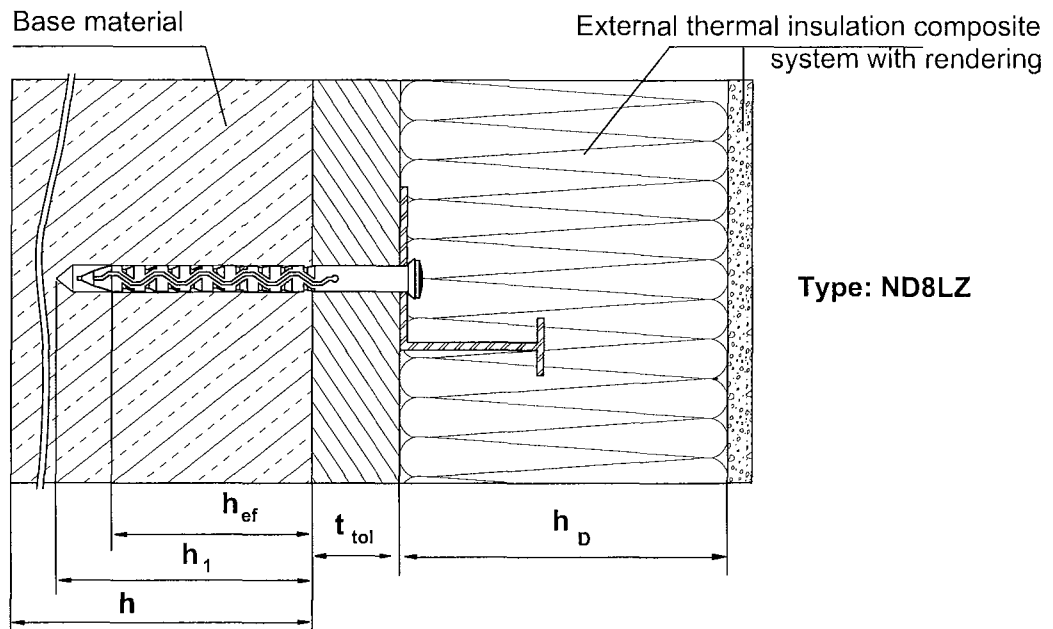
*beglaubigt*  
Scheller



**Intended use:** Anchorage for the fixing of external thermal insulation composite systems in masonry

- Legend:**
- $h$  = thickness of member (wall)
  - $h_1$  = depth of drilled hole to deepest point
  - $h_{ef}$  = effective anchorage depth
  - $t_{tol}$  = thickness of equalizing layer or non-load-bearing coating
  - $h_D$  = thickness of insulation material
  - $h_s$  = depth of countersink

<b>IsoFux<sup>®</sup> NDT8LZ</b>	<b>Annex 1</b>
Product and Intended use	of European Technical Approval  ETA-05/0080



**Intended use:** Anchorage for the fixing of external thermal insulation composite systems in masonry

- Legend:**
- $h$  = thickness of member (wall)
  - $h_1$  = depth of drilled hole to deepest point
  - $h_{ef}$  = effective anchorage depth
  - $t_{tol}$  = thickness of equalizing layer or non-load-bearing coating
  - $h_D$  = thickness of insulation material
  - $h_s$  = depth of countersink

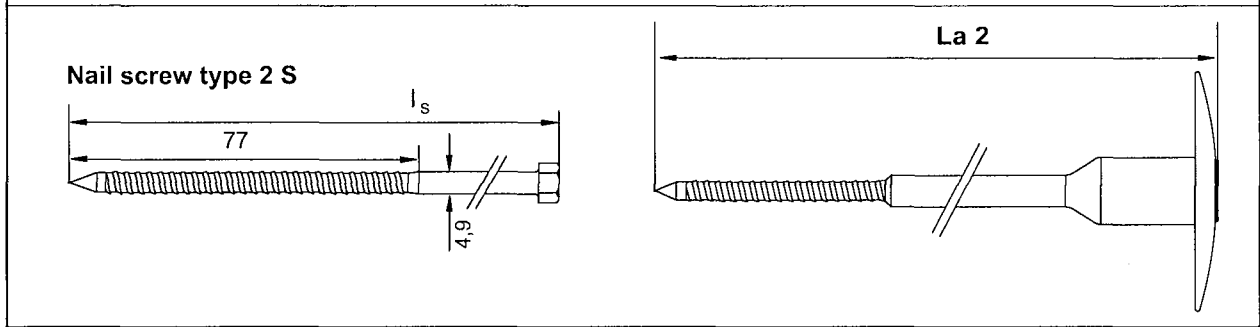
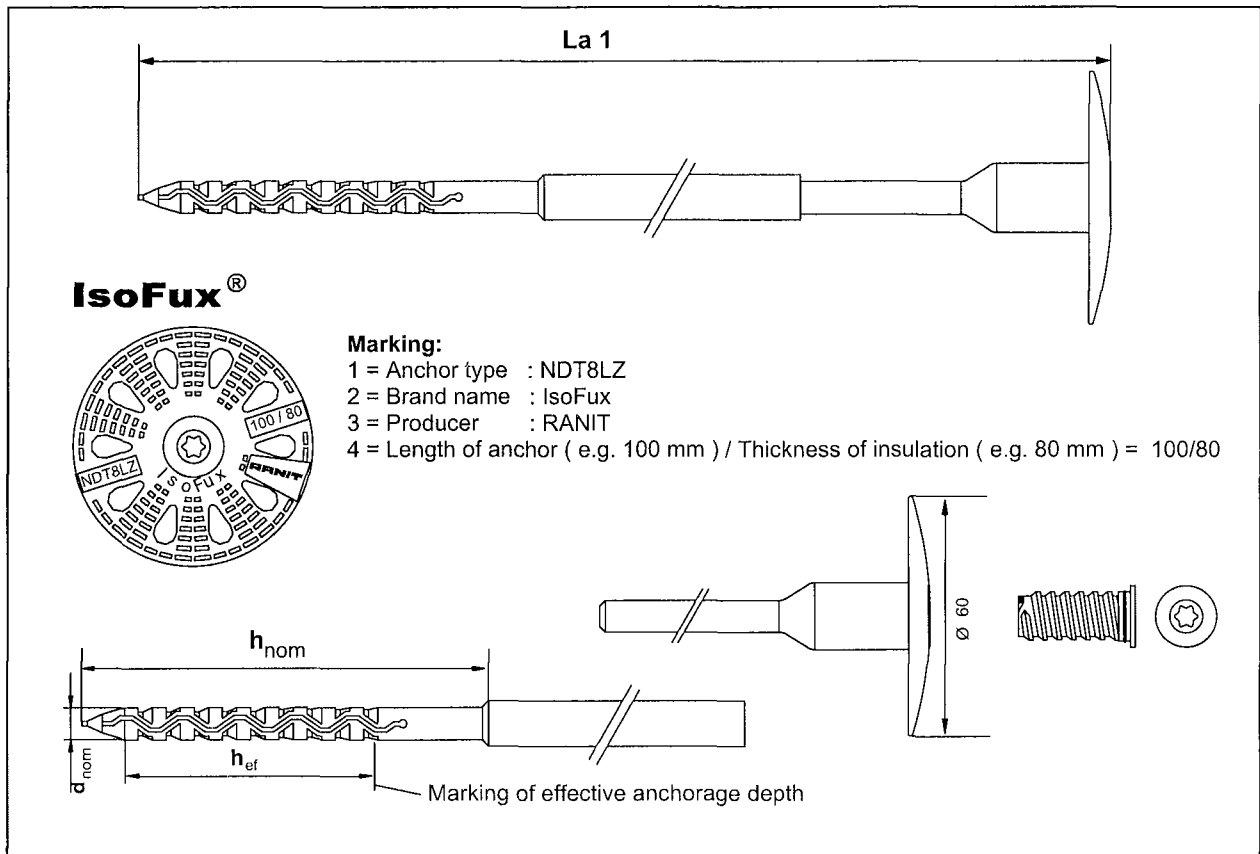
**IsoFux<sup>®</sup> ND8LZ, ND8LZ K**

Product and  
Intended use

**Annex 2**

of European  
Technical Approval

ETA-05/0080



**Table 1: Dimensions** **Sizes in mm**

Anchor type	Anchor sleeve				La 1		La 2	
	d <sub>nom</sub>	h <sub>ef</sub>	h <sub>nom</sub>	t <sub>tol max</sub>	min La 1	max La 1	min La 2	max La 2
<b>IsoFux NDT8LZ</b>	8	60	100	30	225	365	155	295

**Evaluation of thickness of the insulation h<sub>Dmax</sub> IsoFux NDT8LZ**  
 $La\ 1 - h_{nom} - 65 = h_{Dmax}$   
 e.g.: ( La 1 = 245 ) 245 - 100 - 65 = 80 ( h<sub>Dmax</sub> )

**depth of countersink ( h<sub>s</sub> = 20 )**  
 $La\ 1 - h_{nom} + h_s - 65 = h_{Dmax}$   
 e.g.: ( La 1 = 225 ) 225 - 100 + 20 - 65 = 80 ( h<sub>Dmax</sub> )

Evaluation of the ratio  
 La 2 to La 1  
  
 $La\ 1 - 70 = La\ 2$

<b>IsoFux® NDT8LZ</b>	<b>Annex 3</b> of European Technical Approval  ETA-05/0080
Anchor type <b>NDT8LZ</b> Dimensions	

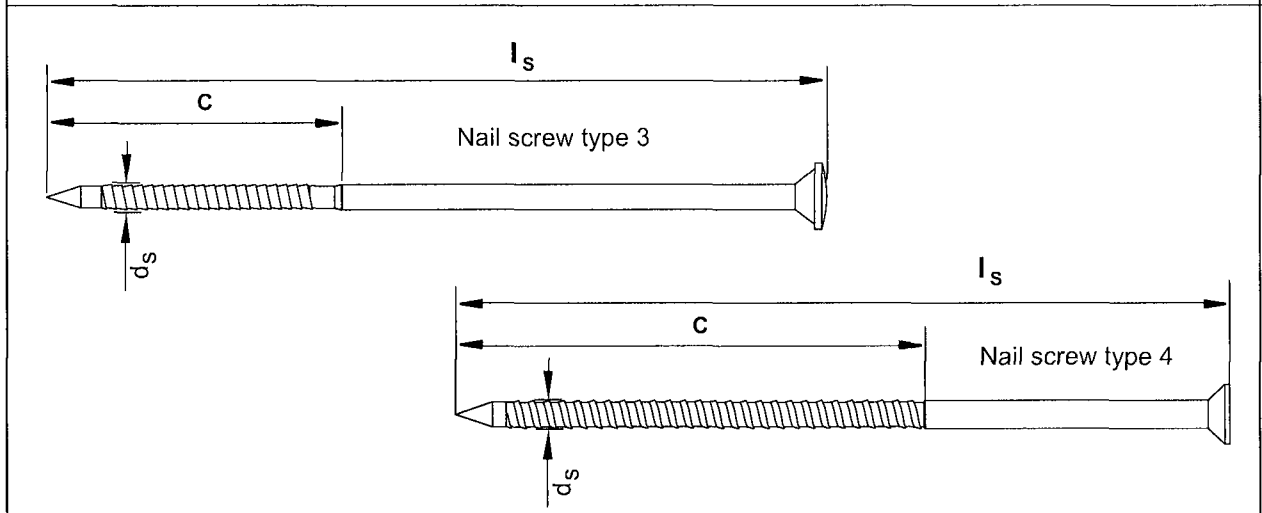
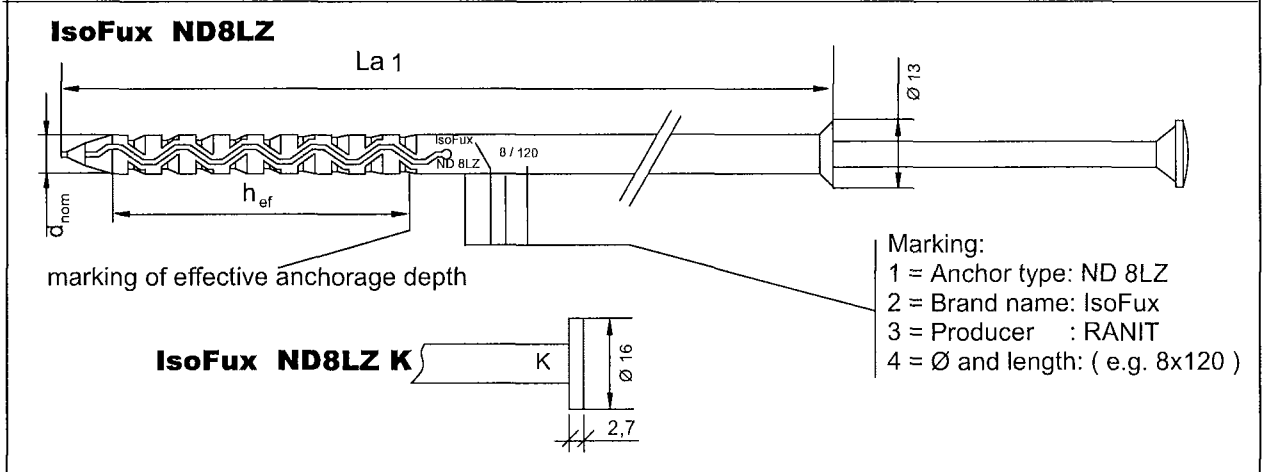
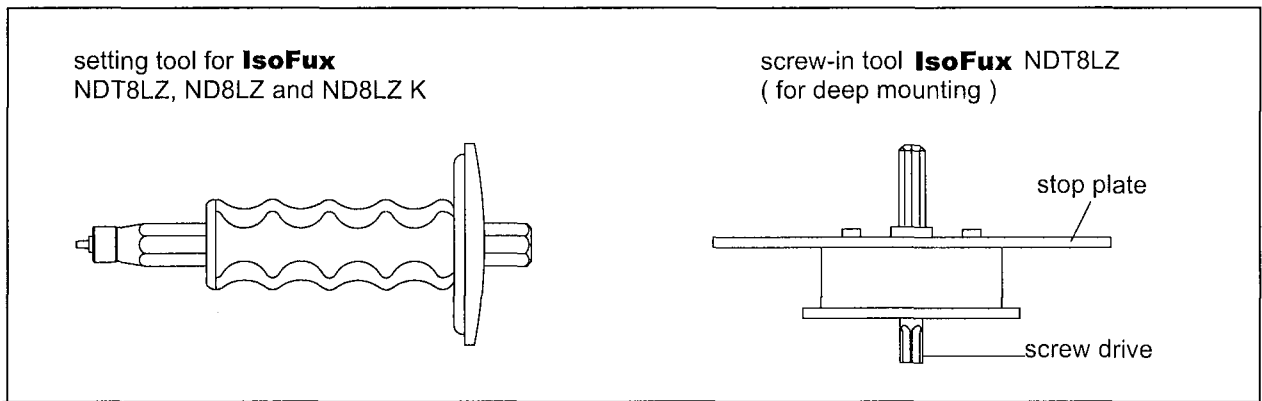


Table 2: Dimensions

Sizes in mm

Anchor type	Anchor sleeve			accompanying Nail screws			
	$d_{nom}$	$h_{ef}$	La 1		$d_s$	$C_{min}$	
<b>IsoFux ND8LZ</b>	8	60	min	max	4,8	Type 3	Type 4
<b>IsoFux ND8LZ K</b>			80	160		40	77

**IsoFux®**

Setting tool for IsoFux NDT8LZ, ND8LZ, ND8LZ K  
 Screw-in tool for IsoFux NDT8LZ  
 Anchor type **ND8LZ, ND8LZ K**  
 Dimensions

**Annex 4**

of European  
 Technical Approval

ETA-05/0080

**Table 3: Materials**

Designation	Material
Anchor sleeve NDT8LZ, ND8LZ, ND8LZ K Colour : grey or orange	Polyamide 6.0
Shaft with plate Colour: grey or orange	Polyamide 6.6
Threaded cover cap	Polyamide 6.0
Additional plate T90, T110, T140 Colour: grey or orange	Polyamide 6.6
Insulation cover	Polystyrene PS20
	Mineral wool Type HD
Special-nailscrew	Steel, electrogalvanized $\geq 5 \mu\text{m}$ , according to EN ISO 4042 ( $f_{uk} \geq 500 \text{ N/mm}^2$ ; $f_{yk} \geq 400 \text{ N/mm}^2$ )
	stainless steel, material number 1.4401, 1.4571, 1.4301 or 1.4567 according to ISO 3506 ( $f_{uk} \geq 700 \text{ N/mm}^2$ ; $f_{yk} \geq 450 \text{ N/mm}^2$ )

**Table 4: Installation parameters**

Anchor type	IsoFux	NDT8LZ, ND8LZ, ND8LZ K
Drill hole diameter	$d_0$ (mm)	8
Cutting diameter of drill bit	$d_{cut}$ (mm) $\leq$	8,45
Depth of drilled hole to deepest point	$h_1$ (mm) $\geq$	75
Effective anchorage depth	$h_{ef}$ (mm) $\geq$	60

**IsoFux®**Materials  
Installation parameters**Annex 5**of European  
Technical Approval

ETA-05/0080

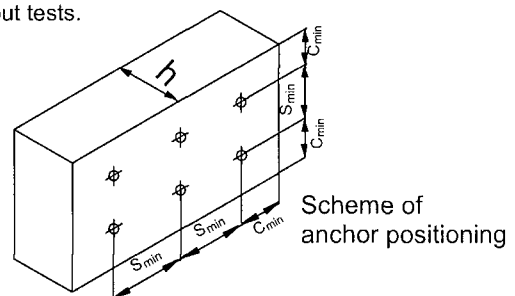
**Table 5:** Characteristic resistance  $N_{Rk}$  in [kN] to tension loads in masonry for a single anchor and minimum distances and dimensions

Anchor type		IsoFux		NDT8LZ ND8LZ ND8LZ K
Masonry	Bulk density class $\rho$ [kg/dm <sup>3</sup> ]	Minimum compressive strength $f_b$ [N/mm <sup>2</sup> ]	Remarks	$N_{Rk}$ [kN]
Clay bricks e.g. according to DIN 105, Mz	$\geq 2,0$	12	Cross-section reduced by vertical perforation up to 15%	1,5
Sand-lime solid bricks e.g. according to DIN 106, KS	$\geq 1,6$	12	Cross-section reduced by vertical perforation up to 15%	1,5
Lightweight concrete solid blocks; e.g. according to DIN 18152, V	$\geq 0,9$	2	Proportion of hole up to 10% maximum extension of hole: length=110 mm; wide=45 mm	0,6
Sand-lime perforated bricks e.g. according to DIN 106, KSL	$\geq 1,4$	12	Cross-section reduced by vertical perforation more than 15%	1,5 1)
Vertically perforated clay bricks e.g. according to DIN 105, HLz	$\geq 1,0$	12	Cross-section reduced by vertical perforation for more than 15% and less than 50%	0,6 2)
Lightweight concrete hollow blocks e.g. according to DIN 18151, Hbl	$\geq 0,7$	2	see Annex 7	0,3
Vertically perforated clay bricks, 380x250x235 mm, HLz			Reference brick according to ÖNORM B6124; see Annex 7	0,9
Partial safety factor 3)		$\gamma_M$		2,0
Minimum allowable spacing	$S_{min} = [mm]$			100
Minimum allowable edge distance	$C_{min} = [mm]$			100
Minimum thickness of member	$h = [mm]$			100

1) The value applies only for outer web thicknesses  $\geq 24$  mm; otherwise the characteristic resistance shall be determined by job-site pull-out tests.

2) The value applies only for outer web thickness  $\geq 14$  mm; otherwise the characteristic resistance shall be determined by job-site pull-out tests.

3) In absence of other national regulations.



**IsoFux®**

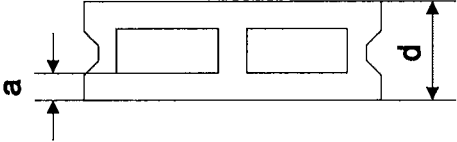
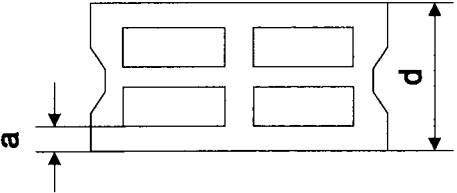
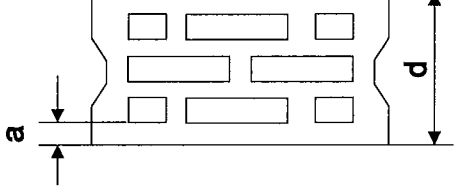
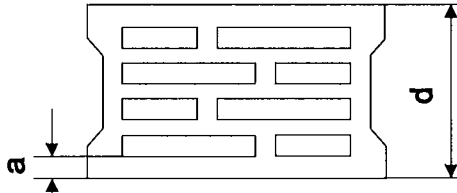
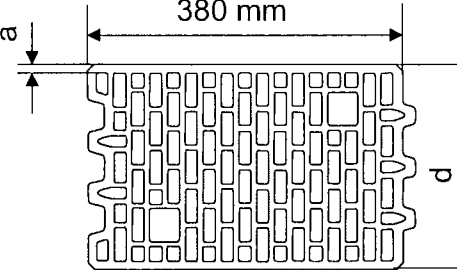
Anchorage in masonry  
Characteristic resistances, distance, spacing

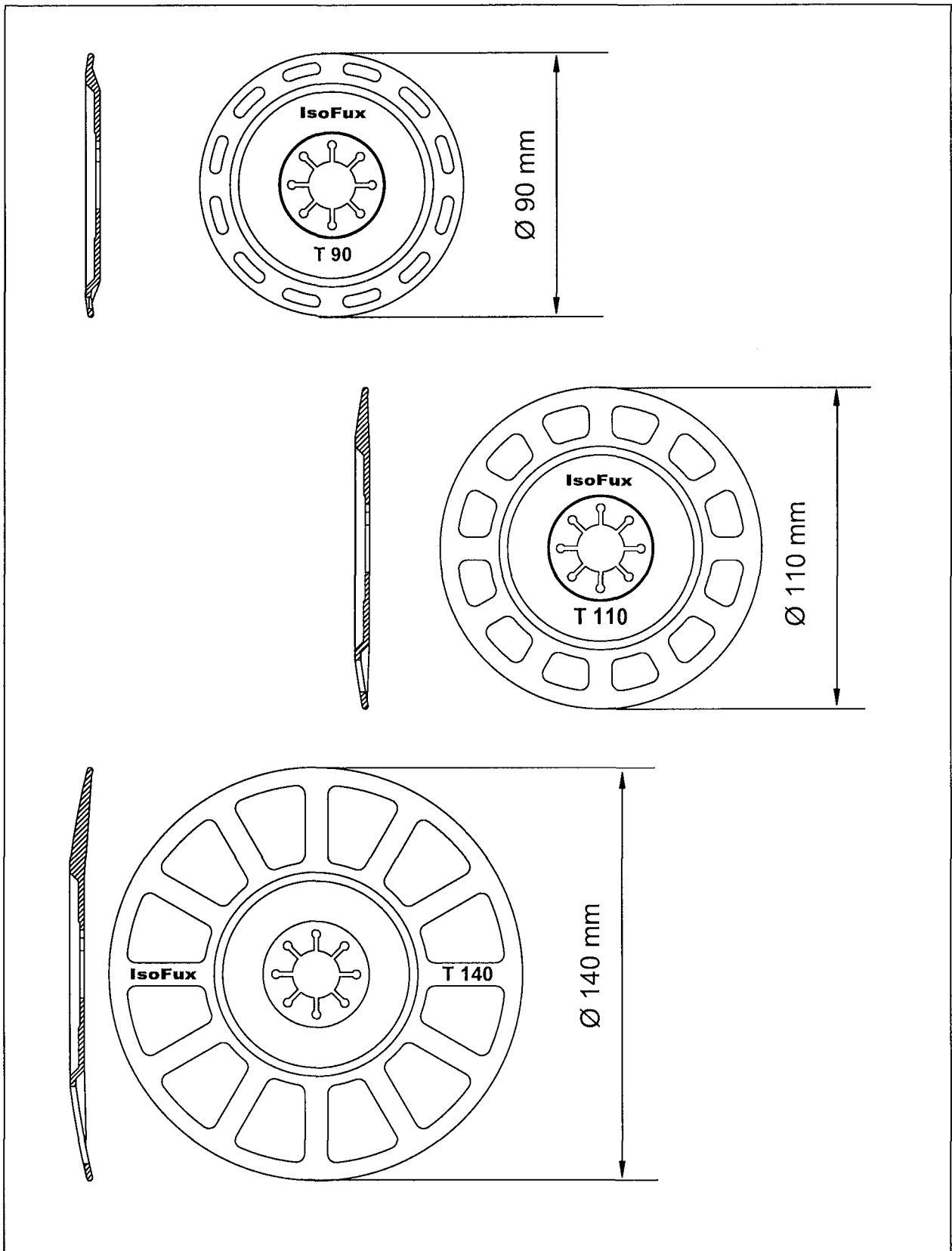
**Annex 6**

of European  
Technical Approval

ETA-05/0080



<b>Table 6:</b> Assignment type of anchor for lightweight concrete hollow blocks according to DIN 18151			
Geometry	Thickness  d [mm]	Outer web in longitudinal direction  a [mm]	Anchor type IsoFux NDT8LZ ND8LZ ND8LZ K
	175	50	●
	240 300	50	●
	175	35	●
	240 300 365	35	●
	240 300 365	30	●
Reference brick from ÖNORM B6124 	250	10,3	●
<b>IsoFux®</b>		<b>Annex 7</b>	
Assignment type of anchor for lightweight concrete hollow blocks Reference brick from ÖNORM B6124		of European Technical Approval  ETA-05/0080	



**IsoFux<sup>®</sup> NDT8LZ**

Plates T90, T110 and T140  
in combination with **IsoFux** NDT8LZ  
( for mounting on the surface )

**Annex 8**

of European  
Technical Approval

ETA-05/0080