

European Technical Approval ETA-11/0217

English translation prepared by DIBt - Original version in German language

Handelsbezeichnung
Trade name

BTV Injektionssystem KM
BTV Injection system KM

Zulassungsinhaber
Holder of approval

BTV Bautechnik Vertriebs-GmbH
Gartenstraße 43 /1
72764 Reutlingen
DEUTSCHLAND

Zulassungsgegenstand
und Verwendungszweck
*Generic type and use
of construction product*

Verbunddübel in den Größen M8 bis M30 zur Verankerung im
ungerissenen Beton
*Bonded anchor in the size of M8 to M30 for use in non-cracked
concrete*

Geltungsdauer:
Validity: vom
from
bis
to

10 June 2011
29 October 2012

Herstellwerke
Manufacturing plants

BTV Werk 1
BTV manufacturing plant 1

Diese Zulassung umfasst
This Approval contains

20 Seiten einschließlich 12 Anhänge
20 pages including 12 annexes

I LEGAL BASES AND GENERAL CONDITIONS

- 1 This European technical approval is issued by Deutsches Institut für Bautechnik in accordance with:
 - Council Directive 89/106/EEC of 21 December 1988 on the approximation of laws, regulations and administrative provisions of Member States relating to construction products¹, modified by Council Directive 93/68/EEC² and Regulation (EC) N° 1882/2003 of the European Parliament and of the Council³;
 - Gesetz über das In-Verkehr-Bringen von und den freien Warenverkehr mit Bauprodukten zur Umsetzung der Richtlinie 89/106/EWG des Rates vom 21. Dezember 1988 zur Angleichung der Rechts- und Verwaltungsvorschriften der Mitgliedstaaten über Bauprodukte und anderer Rechtsakte der Europäischen Gemeinschaften (Bauproduktengesetz - BauPG) vom 28. April 1998⁴, as amended by law of 31 October 2006⁵;
 - Common Procedural Rules for Requesting, Preparing and the Granting of European technical approvals set out in the Annex to Commission Decision 94/23/EC⁶;
 - Guideline for European technical approval of "Metal anchors for use in concrete - Part 5: Bonded anchors", ETAG 001-05.
- 2 Deutsches Institut für Bautechnik is authorized to check whether the provisions of this European technical approval are met. Checking may take place in the manufacturing plant. Nevertheless, the responsibility for the conformity of the products to the European technical approval and for their fitness for the intended use remains with the holder of the European technical approval.
- 3 This European technical approval is not to be transferred to manufacturers or agents of manufacturers other than those indicated on page 1, or manufacturing plants other than those indicated on page 1 of this European technical approval.
- 4 This European technical approval may be withdrawn by Deutsches Institut für Bautechnik, in particular pursuant to information by the Commission according to Article 5(1) of Council Directive 89/106/EEC.
- 5 Reproduction of this European technical approval including transmission by electronic means shall be in full. However, partial reproduction can be made with the written consent of Deutsches Institut für Bautechnik. In this case partial reproduction has to be designated as such. Texts and drawings of advertising brochures shall not contradict or misuse the European technical approval.
- 6 The European technical approval is issued by the approval body in its official language. This version corresponds fully to the version circulated within EOTA. Translations into other languages have to be designated as such.

¹ Official Journal of the European Communities L 40, 11 February 1989, p. 12
² Official Journal of the European Communities L 220, 30 August 1993, p. 1
³ Official Journal of the European Union L 284, 31 October 2003, p. 25
⁴ *Bundesgesetzblatt Teil I* 1998, p. 812
⁵ *Bundesgesetzblatt Teil I* 2006, p. 2407, 2416
⁶ Official Journal of the European Communities L 17, 20 January 1994, p. 34

2 Characteristics of the product and methods of verification

2.1 Characteristics of product

The anchor corresponds to the drawings and provisions given in Annexes 1 to 3. The characteristic material values, dimensions and tolerances of the anchor not indicated in Annexes 1 to 3 shall correspond to the respective values laid down in the technical documentation⁷ of this European technical approval.

The characteristic anchor values for the design of anchorages are given in Annexes 6 to 12.

Each internal threaded anchor is marked with the marking of steel grade and length in accordance with Annex 2. Each internal threaded anchor made of stainless steel marked with the additional letter "A4".

Each mortar cartridge is marked with the identifying mark of the producer and with the trade name in accordance with Annex 1.

The two components of the injection mortar KM or KMW are delivered in unmixed condition in shuttle cartridges of 360 ml or 950 ml according to Annex 1 or in coaxial cartridges of 100 ml, 150 ml, 300 ml, 380 ml or 400 ml.

2.2 Methods of verification

The assessment of fitness of the anchor for the intended use in relation to the requirements for mechanical resistance and stability and safety in use in the sense of the Essential Requirements 1 and 4 has been made in accordance with the "Guideline for European technical approval of Metal Anchors for Use in Concrete", Part 1 "Anchors in general" and Part 5 "Bonded anchors" on the basis of Option 7.

In addition to the specific clauses relating to dangerous substances contained in this European technical approval, there may be other requirements applicable to the products falling within its scope (e.g. transposed European legislation and national laws, regulations and administrative provisions). In order to meet the provisions of the Construction Products Directive, these requirements need also to be complied with, when and where they apply.

3 Evaluation and attestation of conformity and CE marking

3.1 System of attestation of conformity

According to the Decision 96/582/EG of the European Commission⁸ system 2(i) (referred to as System 1) of the attestation of conformity applies.

This system of attestation of conformity is defined as follows:

System 1: Certification of the conformity of the product by an approved certification body on the basis of:

- (a) Tasks for the manufacturer:
 - (1) factory production control;
 - (2) further testing of samples taken at the factory by the manufacturer in accordance with a prescribed control plan;

⁷ The technical documentation of this European technical approval is deposited at the Deutsches Institut für Bautechnik and, as far as relevant for the tasks of the approved bodies involved in the attestation of conformity procedure, is handed over to the approved bodies.

⁸ Official Journal of the European Communities L 254 of 08.10.1996

- (b) Tasks for the approved body:
- (3) initial type-testing of the product;
 - (4) initial inspection of factory and of factory production control;
 - (5) continuous surveillance, assessment and approval of factory production control.

Note: Approved bodies are also referred to as "notified bodies".

3.2 Responsibilities

3.2.1 Tasks for the manufacturer

3.2.1.1 Factory production control

The manufacturer shall exercise permanent internal control of production. All the elements, requirements and provisions adopted by the manufacturer shall be documented in a systematic manner in the form of written policies and procedures, including records of results performed. This production control system shall insure that the product is in conformity with this European technical approval.

The manufacturer may only use initial/raw/constituent materials stated in the technical documentation of this European technical approval.

The factory production control shall be in accordance with the control plan which is part of the technical documentation of this European technical approval. The control plan is laid down in the context of the factory production control system operated by the manufacturer and deposited with Deutsches Institut für Bautechnik.⁹

The results of factory production control shall be recorded and evaluated in accordance with the provisions of the control plan.

3.2.1.2 Other tasks for the manufacturer

The manufacturer shall, on the basis of a contract, involve a body which is approved for the tasks referred to in section 3.1 in the field of anchors in order to undertake the actions laid down in section 3.2.2. For this purpose, the control plan referred to in sections 3.2.1.1 and 3.2.2 shall be handed over by the manufacturer to the approved body involved.

The manufacturer shall make a declaration of conformity, stating that the construction product is in conformity with the provisions of this European technical approval.

3.2.2 Tasks for the approved bodies

The approved body shall perform the

- initial type-testing of the product,
- initial inspection of factory and of factory production control,
- continuous surveillance, assessment and approval of factory production control,

in accordance with the provisions laid down in the control plan.

The approved body shall retain the essential points of its actions referred to above and state the results obtained and conclusions drawn in a written report.

The approved certification body involved by the manufacturer shall issue an EC certificate of conformity of the product stating the conformity with the provisions of this European technical approval.

In cases where the provisions of the European technical approval and its control plan are no longer fulfilled the certification body shall withdraw the certificate of conformity and inform Deutsches Institut für Bautechnik without delay.

⁹

The control plan is a confidential part of the European technical approval and only handed over to the approved body involved in the procedure of attestation of conformity. See section 3.2.2.

3.3 CE marking

The CE marking shall be affixed on each packaging of the anchor. The letters "CE" shall be followed by the identification number of the approved certification body, where relevant, and be accompanied by the following additional information:

- the name and address of the holder of the approval (legal entity responsible for the manufacture),
- the last two digits of the year in which the CE marking was affixed,
- the number of the EC certificate of conformity for the product,
- the number of the European technical approval,
- the number of the guideline for European technical approval,
- use category (ETAG 001-1 Option 7),
- size.

4 Assumptions under which the fitness of the product for the intended use was favourably assessed

4.1 Manufacturing

The European technical approval is issued for the product on the basis of agreed data/information, deposited with Deutsches Institut für Bautechnik, which identifies the product that has been assessed and judged. Changes to the product or production process, which could result in this deposited data/information being incorrect, should be notified to Deutsches Institut für Bautechnik before the changes are introduced. Deutsches Institut für Bautechnik will decide whether or not such changes affect the approval and consequently the validity of the CE marking on the basis of the approval and if so whether further assessment or alterations to the approval shall be necessary.

4.2 Design of anchorages

The fitness of the anchor for the intended use is given under the following conditions:

The anchorages are designed in accordance with the EOTA Technical Report TR 029 "Design of bonded anchors"¹⁰ under the responsibility of an engineer experienced in anchorages and concrete work.

Verifiable calculation notes and drawings are prepared taking account of the loads to be anchored.

The position of the anchor is indicated on the design drawings (e.g. position of the anchor relative to reinforcement or to supports, etc.).

4.3 Installation of anchors

The fitness for use of the anchor can only be assumed if the anchor is installed as follows:

- anchor installation carried out by appropriately qualified personnel and under the supervision of the person responsible for technical matters of the site,
- use of the anchor only as supplied by the manufacturer without exchanging the components of an anchor,
- anchor installation in accordance with the manufacturer's specifications and drawings using the tools indicated in the technical documentation of this European technical approval,

¹⁰ The Technical Report TR 029 "Design of Bonded Anchors" is published in English on EOTA website www.eota.eu.

- commercial standard threaded rods, washers and hexagon nuts may also be used if the following requirements are fulfilled:
 - material, dimensions and mechanical properties of the metal parts according to the specifications given in Annex 3, Table 2,
 - confirmation of material and mechanical properties of the metal parts by inspection certificate 3.1 according to EN 10204:2004, the documents should be stored,
 - marking of the threaded rod with the envisage embedment depth. This may be done by the manufacturer of the rod or the person on jobsite.
- checks before placing the anchor to ensure that the strength class of the concrete in which the anchor is to be placed is in the range given and is not lower than that of the concrete to which the characteristic loads apply,
- check of concrete being well compacted, e.g. without significant voids,
- marking and keeping the effective anchorage depth,
- edge distance and spacing not less than the specified values without minus tolerances,
- positioning of the drill holes without damaging the reinforcement,
- drilling by hammer drilling or compressed air drilling,
- in case of aborted drill hole: the drill hole shall be filled with mortar,
- the anchor must not be installed in flooded holes,
- anchor installation in accordance with manufacturers installation instructions (Annex 5),
- the anchor component installation temperature shall be at least 0 °C (KMW) and +5 °C (KM); during curing of the chemical mortar the temperature of the concrete must not fall below -5 °C; observing the curing time according to Annex 3, Table 3 until the anchor may be loaded,
- fastening screws or threaded rods (including nut and washer) for the internal threaded anchor must be made of appropriate steel grade and property class,
- installation torque moments are not required for functioning of the anchor. However, the torque moments given in Annex 4, Table 4 must not be exceeded.

5 Indications for the manufacturer

5.1 Responsibility of the manufacturer

It is in the responsibility of the manufacturer to ensure that the information on the specific conditions according to 1 and 2 including Annexes referred to as well as sections 4.2 and 4.3 as well as 5.2 is given to those who are concerned. This information may be made by reproduction of the respective parts of the European technical approval. In addition all installation data shall be shown clearly on the package and/or on an enclosed instruction sheet, preferably using illustration(s).

The minimum data required are:

- installation parameters acc. to Annexes 3 and 4,
- material and property class of metal parts acc. to Annex 3, Table 2,
- information on the installation procedure, including cleaning of the hole with the cleaning equipments, preferably by means of an illustration,
- exact volume of injection mortar depend on the relevant installation,

- Storage temperature of anchor components minimum and maximum temperature of the concrete, processing time (open time) of the mortar and curing time until the anchor may be loaded depending on temperature according to Annex 3,
- identification of the manufacturing batch.

All data shall be presented in a clear and explicit form.

5.1 Packaging, transport and storage

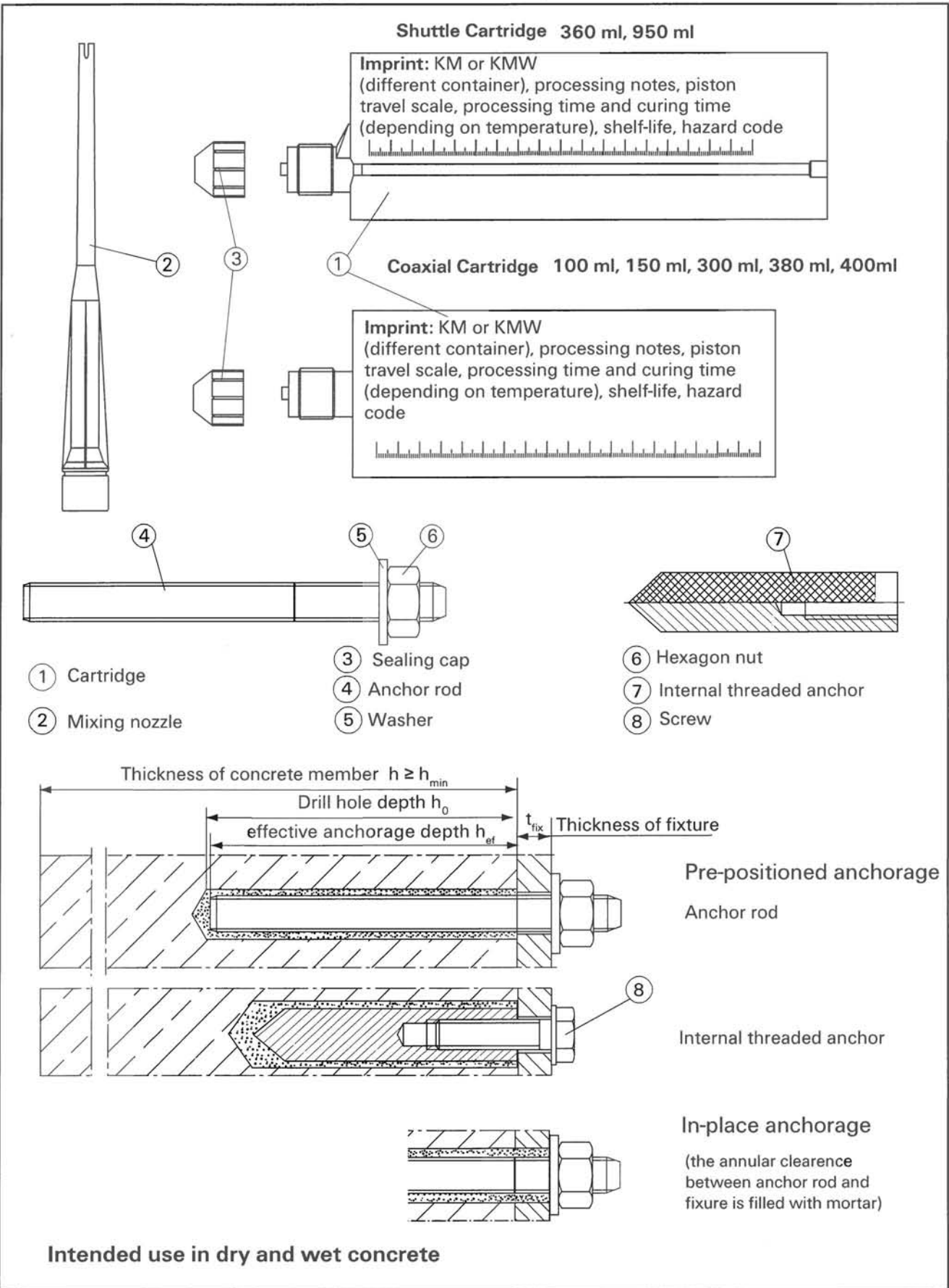
The injection cartridges shall be protected against sun radiation and shall be stored according to the manufacture's installation instructions.

Mortar cartridges with expired shelf life must no longer be used.

The Anchor shall only be packaged and supplied as a complete unit. Injection cartridges and the elements for in-place anchorages being packed separately from anchor rods, nuts and washers or internal threaded anchor.

Georg Feistel
Head of Department

beglaubigt:
Baderschneider



BTV Injection system KM

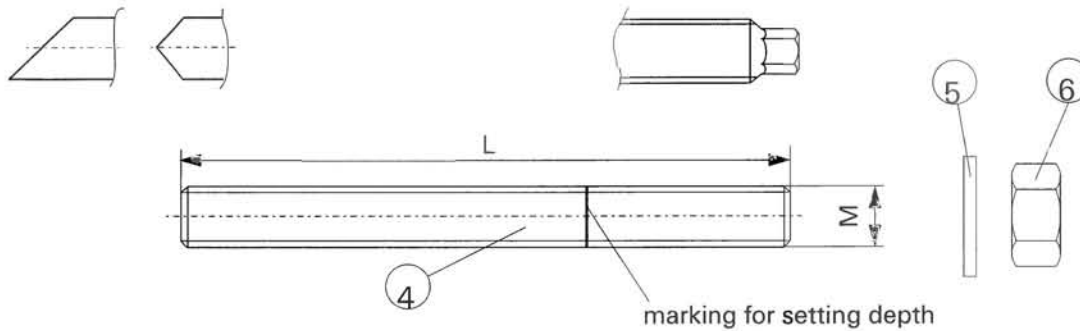
Product and intended use

Annex 1

of European technical approval

ETA-11/0217

Anchor rods M8, M10, M12, M16, M20, M24, M30



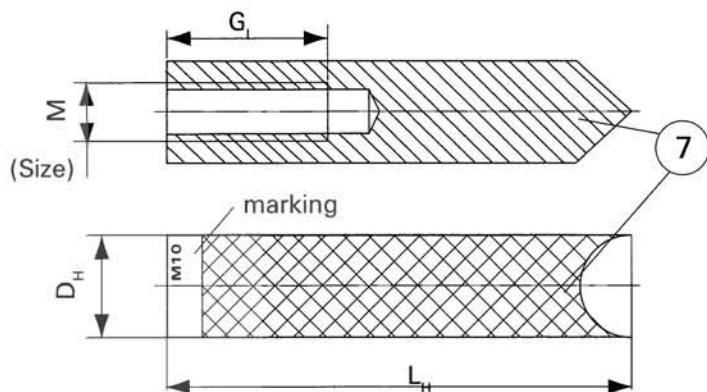
Internal threaded anchor

Marking:

e.g.: **M10**

Stainless steel additional A4

e.g.: **M10 A4**



Temperature range: -40°C to +80°C (max long term temperature +50°C and max short term temperature +80°C)

Table 1: Anchor dimensions

Size		M8	M10	M12	M16	M20	M24	M30
anchor rod								
Effective anchorage depth	$h_{ef\ min}$ [mm]	64	80	96	125	160	192	240
	$h_{ef\ max}$ [mm]	96	120	144	192	240	288	360
Length of threaded rod	L_{min} [mm]	75	95	115	150	190	230	280
	L_{max} [mm]	1500						
Internal threaded anchor								
Diameter	D_H [mm]	12,5	16,5	18,5	22,5	28,5	—	—
Length	L_H [mm]	90	90	125	160	200	—	—
Length of thread	G_L [mm]	20	25	30	40	50	—	—

BTV Injection system KM

Anchor dimensions
Temperatur ranges

Annex 2

of European
technical approval

ETA-11/0217

Table 2: Materials

Part	Designation	Materials	
		Steel, zinc plated	Stainless steel
4	Anchor rod	Property class 5.8 or 8.8; EN ISO 898-1 zinc plated $\geq 5 \mu\text{m}$, EN ISO 4042 A2K or hot-dip galvanised $\geq 45 \mu\text{m}$, EN ISO 10684	Property class A4-70 EN ISO 3506-1 EN 10088 1.4401; 1.4404; 1.4578; 1.4571; 1.4439; 1.4362
5	Washer	zinc plated $\geq 5 \mu\text{m}$, EN ISO 4042 A2K or hot-dip galvanised $\geq 45 \mu\text{m}$, EN ISO 10684	EN 10088 1.4401; 1.4404; 1.4578; 1.4571; 1.4439; 1.4362
6	Hexagon nut according to EN 24032	Property class 5 or 8 ; EN 20898-2 zinc plated $\geq 5 \mu\text{m}$, EN ISO 4042 A2K or hot-dip galvanised $\geq 45 \mu\text{m}$, EN ISO 10684	Property class A4-70 EN ISO 3506-1 EN 10088 1.4401; 1.4404; 1.4578; 1.4571; 1.4439; 1.4362
7	Internal threaded anchor	Property class 5.8 or 8.8; EN ISO 898-1 zinc plated $\geq 5 \mu\text{m}$, EN ISO 4042 A2K or hot-dip galvanised $\geq 45 \mu\text{m}$, EN ISO 10684	Property class A4-70 EN ISO 3506-1 EN 10088 1.4401; 1.4404; 1.4578; 1.4571; 1.4439; 1.4362
8	Screw for internal threaded anchor		

Table 3: Processing time of the mortar and minimum curing time

(During the curing time of the mortar the concrete temperature may not fall below the listed minimum temperature).

Concrete temperature [°C]	Minimum curing time ¹⁾ [minutes]		System- temperature (mortar) [°C]	Processing time [minutes]	
	KMW	KM		KMW	KM
-5	3 hours	24 hours	0	5	—
≥ 0	3 hours	3 hours	+ 5	5	13
$\geq +5$	50	90	+ 10	3	9
$\geq +10$	30	60	+ 20	1	5
$\geq +20$	—	45	+ 30	—	4
$\geq +30$	—	35	+ 40	—	2

¹⁾For wet concrete the curing time must be doubled.

BTV Injection system KM

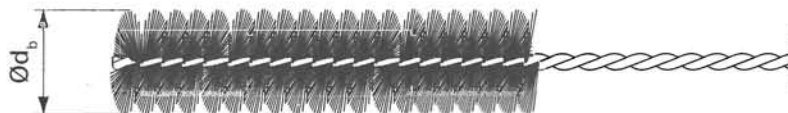
Materials
Processing time and curing time

Annex 3

of European
technical approval
ETA-11/0217

Table 4: Installation parameters

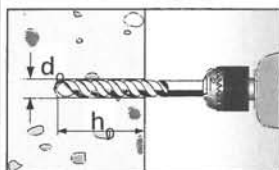
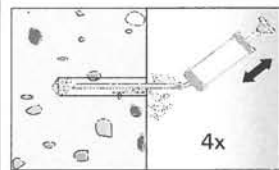
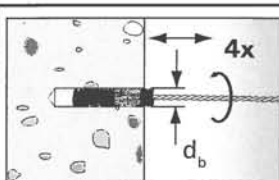
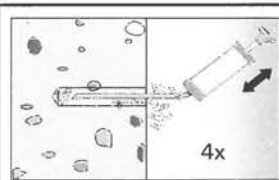
Anchor rods										
Size of anchor			M8	M10	M12	M16	M20	M24	M30	
Nominal drill hole diameter		$d_0 =$ [mm]	10	12	14	18	24	28	35	
Cutting diameter of drill bit		$d_{cut} \leq$ [mm]	10,45	12,50	14,50	18,50	24,55	28,55	35,70	
Depth of drill hole		$h_0 =$ [mm]	$h_0 \geq h_{ef}$							
Diameter of clearance hole in the fixture	Pre-positioned anchorage	$d_f \leq$ [mm]	9	12	14	18	22	26	33	
	In-place anchorage	$d_i \leq$ [mm]	11	14	16	20	26	30	40	
Diameter of steel brush		$d_b =$ [mm]	11	13	16	20	26	30	40	
Torque moment		$T_{inst,max} =$ [Nm]	10	20	40	60	120	150	300	
Thickness of fixture	Pre-positioned anchorage	min [mm]	0							
		max [mm]	1.500							
	In-place anchorage	\leq [mm]	25	30	40	50	60	75	90	
Internal threaded anchor										
Size of anchor			M8	M10	M12	M16	M20			
Nominal drill hole diameter		$d_0 =$ [mm]	14	18	20	24	32			
Cutting diameter of drill bit		$d_{cut} \leq$ [mm]	14,5	18,5	20,5	24,55	32,55			
Depth of drill hole for h_{ef}		$h_0 \geq$ [mm]	90	90	125	160	200			
Diameter of clearance hole in the fixture	Pre-positioned anchorage	$d_i \leq$ [mm]	9	12	14	18	22			
Diameter of steel brush		$d_b =$ [mm]	16	20	21,5	26	40			
Torque moment		$T_{inst,max} =$ [Nm]	10	20	40	80	120			
Min. screw-in depth		min [mm]	12	15	18	24	30			
Max. screw-in depth		max [mm]	18	23	26	35	45			

Steel brush

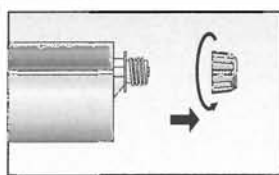
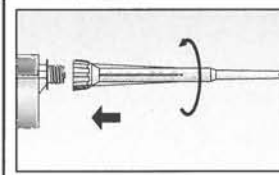
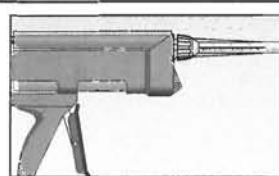
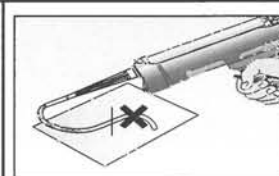
BTV Injection system KM

Installation parameters
Steel brush**Annex 4**of European
technical approval
ETA-11/0217

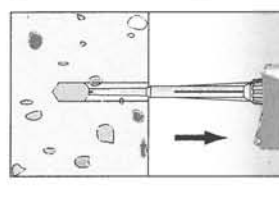
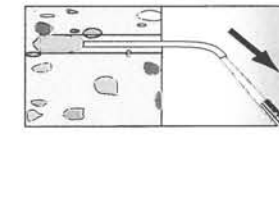
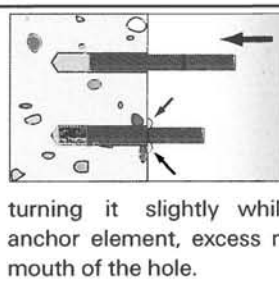
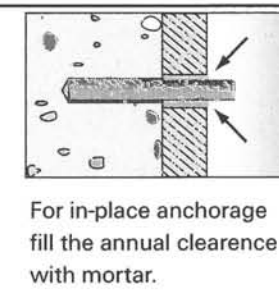
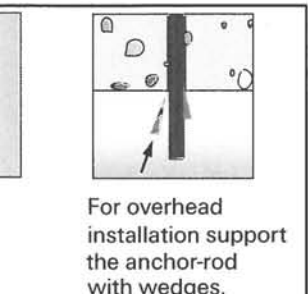

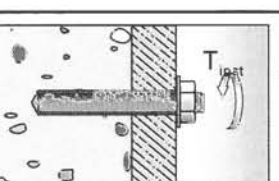
Drilling and cleaning the hole

1		<p>Drill the hole. Drill hole diameter d_0 and drill hole depth h_0 see Table 4.</p>	2		<p>Blow out the drill hole four times. For drill hole diameter $d_0 \geq 18$ mm use oil-free pressure air ($P > 6$ bar).</p>
3		<p>Brush the drill hole four times, using a steel brush. Diameter of steel brush see Table 4.</p>	4		<p>Blow out the drill hole four times. For drill hole diameter $d_0 \geq 18$ mm use oil-free pressure air ($P > 6$ bar).</p>

Preparing the cartridge

5		<p>Remove the sealing cap.</p>	6		<p>Screw down the mixing nozzle. (the spiral mixer in the mixing nozzle must be clearly visible)</p>
7		<p>Place the cartridge into the applicator gun.</p>	8		<p>Press approx 10 cm of material out until the resin is evenly mixed. Don't use mortar that is not uniformly mixed.</p>

Install the anchor rod or internal threaded anchor

9		<p>Acc. to the installation instruction fill the drill hole with mortar. Always begin from the surface of the hole and avoid bubbles.</p>		<p>For deep holes $h_0 \geq 150$ mm use an injection adapter.</p>
10		<p>Only use clean and oil-free anchors. Mark the anchor for setting depth. Press the anchor rod or internal threaded anchor down to the bottom of the hole, turning it slightly while doing so. Inserting the anchor element, excess mortar must emerge from the mouth of the hole.</p>		 <p>For in-place anchorage fill the annular clearance with mortar.</p> <p>For overhead installation support the anchor-rod with wedges.</p>
11		<p>Wait for the specified curing time, t_{cure} see Table 3</p>		<p>Mounting the fixture. $T_{inst,max}$ see Table 4</p>

BTV Injection system KM

Installation instructions

Annex 5

of European technical approval

ETA-11/0217

Table 5: Minimum distances and member thicknesses

Anchor rod								
Anchor size	M8		M10		M12			
	$h_{ef,min}$	$h_{ef,max}$	$h_{ef,min}$	$h_{ef,max}$	$h_{ef,min}$	$h_{ef,max}$		
effective anchorage depth ¹⁾ h_{ef} [mm]	64	96	80	120	96	144		
minimum thickness of concrete member h_{min} [mm]	$h_{ef} + 30 \text{ mm} \geq 100 \text{ mm}$							
minimum edge distance and min s = min c [mm] spacing	40		45		55			
Anchor rod								
Anchor size	M16		M20		M24		M30	
	$h_{ef,min}$	$h_{ef,max}$	$h_{ef,min}$	$h_{ef,max}$	$h_{ef,min}$	$h_{ef,max}$	$h_{ef,min}$	$h_{ef,max}$
effective anchorage depth ¹⁾ h_{ef} [mm]	125	192	160	240	192	288	240	360
minimum thickness of concrete member h_{min} [mm]	$h_{ef} + 2d_0$							
minimum edge distance and min s = min c [mm] spacing	65		85		105		140	
Internal threaded anchor								
Anchor size	M8	M10	M12	M16	M20			
effective anchorage depth h_{ef} [mm]	90	90	125	160	200			
minimum thickness of concrete member h_{min} [mm]	120	125	165	205	260			
minimum edge distance and min s = min c [mm] spacing	40	45	60	80	125			

¹⁾ Effective anchorage depth $h_{ef,min} \leq h_{ef} \leq h_{ef,max}$ is possible. The minimum member thickness may be interpolate straight proportional.

BTV Injection system KM

Minimum distances and
minimum member thicknesses**Annex 6**of European
technical approval
ETA-11/0217

**Table 6: Characteristic values to tension loads
(Design of Bonded Anchors acc. to TR 029)
anchor rods**

Anchor size		M8	M10	M12	M16	M20	M24	M30	
Steel failure									
Characteristic resistance $N_{Rk,s}$	property class	5.8 [kN]	19	30	44	82	127	183	292
		8.8 [kN]	29	46	67	126	196	282	449
	A4-70 [kN]		26	41	59	110	171	247	392
Partial safety factor $\gamma_{Ms}^{1)}$	property class	5.8 [-]	1,48						
		8.8 [-]	1,50						
	A4-70 [-]		1,87						
Combined pullout and concrete failure⁴⁾									
Diameter for calculation	d [mm]	8	10	12	16	20	24	30	
Effective anchorage depth ³⁾	h_{ef} $\frac{h_{ef,min}}{h_{ef,max}}$ [mm]	64	80	96	125	160	192	240	
		96	120	144	192	240	288	360	
Temperature range -40°C/+80°C									
Characteristic bond resistance in non-cracked concrete C20/25	$\tau_{Rk,p}$ [N/mm ²]	10,5	10,5	10,5	10	9,5	9	8,5	
Edge distance		$c_{cr,Np} = \frac{s_{cr,Np}}{2}$ [mm]							
Spacing		$s_{cr,Np} = 20 \cdot d \cdot \left(\frac{\tau_{Rk,p}}{7,5} \right)^{0,5} \leq 3h_{ef}$ [mm]							
Increasing factors ψ_c	C25/30 [-]	1,05							
	C30/37 [-]	1,10							
	C35/45 [-]	1,15							
	C40/50 [-]	1,19							
	C45/55 [-]	1,22							
	C50/60 [-]	1,26							
Partial safety factor $\gamma_{Mc} = \gamma_{Mp}^{1)}$		1,8 ²⁾							

¹⁾ In absence of other national regulations.

²⁾ The partial safety factor $\gamma_2 = 1,2$ is included.

³⁾ Effective anchorage depth $h_{ef,min} \leq h_{ef} \leq h_{ef,max}$ is possible.

⁴⁾ Evidence of calculation for pullout and concrete failure see part 4.2

BTV Injection system KM

Characteristic values to tension loads
anchor rods

Annex 7

of European
technical approval

ETA-11/0217

Tabelle 7: Characteristic values of splitting failure anchor rods

Size	M8		M10		M12		M16		M20		M24		M30		
⁴⁾ $h_{ef,min}$	$h_{ef,max}$	$h_{ef,min}$	$h_{ef,max}$	$h_{ef,min}$	$h_{ef,max}$	$h_{ef,min}$	$h_{ef,max}$	$h_{ef,min}$	$h_{ef,max}$	$h_{ef,min}$	$h_{ef,max}$	$h_{ef,min}$	$h_{ef,max}$	$h_{ef,min}$	$h_{ef,max}$
[mm]	64	96	80	120	96	144	125	192	160	240	192	288	240	360	
$h_{min}^{1)3)}$ [mm]	$h_{ef} + 30 \text{ mm} \geq 100 \text{ mm}$						$h_{ef} + 2 d_0$								
$c_{cr,sp}$ [mm]	160	205	200	260	240	310	315	415	395	515	475	620	590	770	
$h^{2)}$ [mm]	128	192	160	240	192	288	250	384	320	480	384	576	480	720	
$c_{cr,sp}$ [mm]	120	150	150	185	180	225	240	300	300	370	360	445	450	555	

¹⁾ $h_{min} = h_{ef} + \Delta h \geq 100 \text{ mm}; \Delta h \geq \max \{2d_0; 30 \text{ mm}\}$

²⁾ $h \geq 2h_{ef}$

³⁾ For member thickness $h_{min} \leq h \leq 2h_{ef}$ the characteristic edge distances and spacing can be derived by linear interpolation.

⁴⁾ $h_{ef,min} \leq h_{ef} \leq h_{ef,max}$ is possible

BTV Injection system KM

Characteristic values of splitting failure anchor rods

Annex 8

of European technical approval
ETA-11/0217

**Table 8: Characteristic values to tension load
(Design of Bonded Anchor acc. to TR 029)
Internal threaded anchor**

Anchor size		M8	M10	M12	M16	M20		
Effective anchorage depth h_{ef} [mm]		90	90	125	160	200		
Steel failure								
Characteristic resistance	property	5.8	N_{Rk} [kN]	19	30	44	82	127
	class	8.8	$N_{Rk,s}$ [kN]	29	46	67	109	182
	A4-70	$N_{Rk,s}$ [kN]	26	41	59	110	171	
Partial safety factor	property	5.8	$\gamma_{Ms}^{1)}$ [-]	1,48				
	class	8.8	$\gamma_{Ms}^{1)}$ [-]	1,50				
	A4-70	$\gamma_{Ms}^{1)}$ [-]	1,87					
Combined pullout and concrete con failure³⁾								
Temperature range -40°C to +80°C								
Characteristic resistance	C20/25	$N_{Rk,p}^0$ [kN]	30	40	50	75	115	
Edge distance		$c_{cr,Np}$ [mm]	135	135	187,5	240	295	
Spacing		$s_{cr,Np}$ [mm]	270	270	375	480	590	
Increasing factors Ψ_c		C25/30 [-]	1,05					
		C30/37 [-]	1,10					
		C35/45 [-]	1,15					
		C40/50 [-]	1,19					
		C45/55 [-]	1,22					
		C50/60 [-]	1,26					
Splitting failure Minimum member thickness		h_{min} [mm]	120	125	165	205	260	
		$s_{cr,sp}$ [mm]	360	360	440	540	700	
		$c_{cr,sp}$ [mm]	180	180	220	270	350	
Splitting failure Minimum spacing		h_{min} [mm]	$\geq 2h_{ef}$					
		$s_{cr,sp}$ [mm]	240	240	300	360	460	
		$c_{cr,sp}$ [mm]	120	120	150	180	230	
Partial safety factor		$\gamma_{Mp} = \gamma_{Mc}^{1)}$ [-]	1,8 ²⁾					

¹⁾ In absence of other national regulations.

²⁾ The partial safety factor $\gamma_2 = 1,2$ is included.

³⁾ Evidence of calculation for pullout and concrete failure see part 4.2

BTV Injection system KM

Characteristic values to tension load
Internal threaded anchor

Annex 9

of European
technical approval

ETA-11/0217

**Tabelle 9: Characteristic values to shear loads
(Design of Bonded Anchors acc. to TR 029)
anchor rod**

Anchor size			M8	M10	M12	M16	M20	M24	M30	
effective anchorage depth	$h_{ef}^{2)}$	$h_{ef,min}$ [mm]	64	80	96	125	160	192	240	
		$h_{ef,max}$ [mm]	96	120	144	192	240	288	360	
Steel failure without lever arm										
characteristic resistance	$V_{Rk,s}$	Property	5.8 [kN]	9,2	14,5	21,1	39,2	61,2	88,2	140,2
		class	8.8 [kN]	14,6	23,2	33,7	62,8	98,0	141,2	224,4
		A4-70 [kN]	12,8	20,3	29,5	54,8	85,7	123,4	196,2	
partial safety factor	$\gamma_{Ms}^{1)}$	Property	5.8 [-]	1,25						
		class	8.8 [-]	1,25						
		A4-70 [-]	1,56							
Steel failure with lever arm										
characteristic bending moment	$M_{Rk,s}^0$	Property	5.8 [Nm]	20	39	68	173	338	583	1169
		class	8.8 [Nm]	30	60	105	266	519	896	1797
		A4-70 [Nm]	26	52	92	233	454	785	1574	
partial safety factor	$\gamma_{Ms}^{1)}$	Property	5.8 [-]	1,25						
		class	8.8 [-]	1,25						
		A4-70 [-]	1,56							
Concrete pryout										
Faktor k in Equation (5.7) of Technical Report TR 029, Section 5.2.3.3			[-]		2,0					
partial safety factor			$\gamma_{Mc}^{1)}$ [-]		1,5					
Concrete edge failure										
effective length of anchor	l_f	$h_{ef,min}$ [mm]	64	80	96	125	160	192	240	
		$h_{ef,max}$ [mm]	96	120	144	192	240	288	360	
effective diameter of anchor		d [mm]	8	10	12	16	20	24	30	
partial safety factor			$\gamma_{Mc}^{1)}$ [-]		1,5					

¹⁾ In absence of other national regulations.

²⁾ $h_{ef,min} \leq h_{ef} \leq h_{ef,max}$ is possible.

BTV Injection system KM

Characteristic values to shear loads
anchor rod

Annex 10

of European
technical approval

ETA-11/0217

**Table 10: Characteristic values to shear load
(Design of Bonded Anchor acc. to TR 029)
Internal threaded anchor**

Anchor size		M8	M10	M12	M16	M20	
Effective anchorage depth	h_{ef} [mm]	90	90	125	160	200	
Steel failure without lever arm property class 5.8 and 8.8							
characteristic resistance	$V_{Rk,s}$	Property class 5.8 [kN]	9,5	15,1	21,9	40,7	63,6
		Property class 8.8 [kN]	14,6	23,2	33,7	62,7	91,1
Partial safety factor	$\gamma_{Ms}^{1)}$	Property class 5.8 [-]	1,25				
		Property class 8.8 [-]	1,25				1,5
Steel failure without lever arm A4							
characteristic resistance	$V_{Rk,s}$	A4-70 [kN]	12,8	20,3	29,5	54,8	85,7
Partial safety factor	$\gamma_{Ms}^{1)}$	A4-70 [-]	1,56				
Steel failure with lever arm property class 5.8 and 8.8							
characteristic bending moment	$M_{Rk,s}^0$	Property class 5.8 [Nm]	20	39	68	173	337
		Property class 8.8 [Nm]	30	60	105	266	519
Partial safety factor	$\gamma_{Ms}^{1)}$	Property class 5.8 [-]	1,25				
		Property class 8.8 [-]	1,25				
Steel failure with lever arm A4							
characteristic bending moment	$M_{Rk,s}^0$	A4-70 [Nm]	26	52	92	232	454
Partial safety factor	$\gamma_{Ms}^{1)}$	A4-70 [-]	1,56				
Concrete pryout							
Factor k in Equation (5.7) of Technical Report TR 029, Section 5.2.3.3		[-]	2,0				
Partial safety factor		$\gamma_{Mc}^{1)}$ [-]	1,5				
Concrete edge distance							
Effective length of anchor	l_f [mm]	90	90	125	160	200	
Effective diameter of anchor	d [mm]	12,5	16,5	18,5	22,5	28,5	
Partial safety factor		$\gamma_{Mc}^{1)}$ [-]	1,5				

¹⁾ In absence of other national regulations.

BTV Injection system KM

Characteristic values to shear load
Internal threaded anchor

Annex 11
of European
technical approval
ETA-11/0217

Table 11: Displacements of anchor rods due to tension and shear loads

Anchor size		M8	M10	M12	M16	M20	M24	M30
Tension load								
Temperature range -40°C / +80°C								
Effective anchorage depth $h_{ef} = 8 d^{1)}$								
Tension load in non-cracked concrete	N [kN]	7,7	11,0	15,8	25,5	37,9	51,7	76,3
Displacement	δ_{NO} [mm]	0,2	0,2	0,2	0,2	0,3	0,3	0,3
Displacement	$\delta_{N\infty}$ [mm]	0,6	0,6	0,6	0,6	0,9	0,9	0,9
Shear load								
Temperature range -40°C / + 80°C								
Shear load in non-cracked concrete (property class 5.8)	V [kN]	5,1	8,1	11,8	21,9	34,2	49,1	78,3
Displacement	δ_{NO} [mm]	0,9	1,2	1,4	2,0	2,4	2,6	3,7
Displacement	$\delta_{N\infty}$ [mm]	1,4	1,7	2,1	2,9	3,7	4,1	5,6
Shear load in non-cracked concrete (property class 8.8)	V [kN]	7,0	11,1	16,2	30,1	47,0	67,7	107,7
Displacement	δ_{NO} [mm]	1,2	1,6	1,9	2,8	3,3	3,6	5,1
Displacement	$\delta_{N\infty}$ [mm]	1,9	2,3	2,9	4,0	5,1	5,6	7,7
Shear load in non-cracked concrete (A4-70)	V [kN]	5,9	9,3	13,5	25,2	39,3	56,4	89,9
Displacement	δ_{NO} [mm]	1,0	1,3	1,6	2,2	2,8	3,4	4,3
Displacement	$\delta_{N\infty}$ [mm]	1,6	2,0	2,4	3,4	4,2	5,6	6,4

¹⁾ Values $8d \leq h_{ef} \leq 12d$ should be calculated:

$$\delta_{NO} = \delta_{NO1} \frac{h_{ef}}{8d} \quad \delta_{NO1} \text{ to } h_{ef} 8d$$

$$\delta_{N\infty} = \delta_{N\infty1} \frac{h_{ef}}{8d} \quad \delta_{N\infty1} \text{ to } h_{ef} 8d$$

Table 12: Displacements of Internal threaded anchors to tension load

Anchor size		M8	M10	M12	M16	M20
Temperature range -40°C / +80°C						
Tension load in non-cracked concrete	N [kN]	11,9	13,8	19,8	29,8	69,4
Displacement	δ_{NO} [mm]	0,2	0,2	0,3	0,3	0,7
Displacement	$\delta_{N\infty}$ [mm]	0,6	0,6	0,9	0,9	2,1

Displacements of Internal threaded anchors to shear load

The displacements of screws or threaded rods mounted in internal threaded anchors RG MI to shear load are the same like anchor rods. See Table 11

BTV Injection system KM

Displacements

Annex 12
of European
technical approval
ETA-11/0217