



European Technical Approval ETA-05/0161

English translation prepared by DIBt - Original version in German language

Handelsbezeichnung <i>Trade name</i>	MÜPRO Stahldübel verzinkt, A4 und HCR <i>MÜPRO Steel anchor zinc plated, A4 and HCR</i>
Zulassungsinhaber <i>Holder of approval</i>	MÜPRO Services GmbH Hessenstraße 11 65719 Hofheim-Wallau DEUTSCHLAND
Zulassungsgegenstand und Verwendungszweck <i>Generic type and use of construction product</i>	Wegkontrolliert spreizender Dübel aus galvanisch verzinktem oder nichtrostendem Stahl in den Größen M6, M8, M10, M12 und M16 für die Verwendung als Mehrfachbefestigung von nichttragenden Systemen in Beton <i>Deformation-controlled expansion anchor made of galvanised or stainless steel of sizes M6, M8, M10, M12 and M16 for multiple use for non-structural applications in concrete</i>
Geltungsdauer: <i>Validity:</i>	vom <i>from</i> bis <i>to</i>
Herstellwerk <i>Manufacturing plant</i>	MÜPRO Werk 1, Deutschland
	17 June 2013 13 June 2018

Diese Zulassung umfasst
This Approval contains

17 Seiten einschließlich 9 Anhänge
17 pages including 9 annexes

Diese Zulassung ersetzt
This Approval replaces

ETA-05/0161 mit Geltungsdauer vom 25.09.2012 bis 16.08.2015
ETA-05/0161 with validity from 25.09.2012 to 16.08.2015

I LEGAL BASES AND GENERAL CONDITIONS

- 1 This European technical approval is issued by Deutsches Institut für Bautechnik in accordance with:
 - Council Directive 89/106/EEC of 21 December 1988 on the approximation of laws, regulations and administrative provisions of Member States relating to construction products¹, modified by Council Directive 93/68/EEC² and Regulation (EC) N° 1882/2003 of the European Parliament and of the Council³;
 - *Gesetz über das In-Verkehr-Bringen von und den freien Warenverkehr mit Bauprodukten zur Umsetzung der Richtlinie 89/106/EWG des Rates vom 21. Dezember 1988 zur Angleichung der Rechts- und Verwaltungsvorschriften der Mitgliedstaaten über Bauprodukte und anderer Rechtsakte der Europäischen Gemeinschaften (Bauproduktengesetz - BauPG) vom 28. April 1998⁴, as amended by Article 2 of the law of 8 November 2011⁵;*
 - Common Procedural Rules for Requesting, Preparing and the Granting of European technical approvals set out in the Annex to Commission Decision 94/23/EC⁶;
 - Guideline for European technical approval of "Metal anchors for use in concrete - Part 6: Anchors for multiple use for non-structural applications", ETAG 001-06.
- 2 Deutsches Institut für Bautechnik is authorized to check whether the provisions of this European technical approval are met. Checking may take place in the manufacturing plant. Nevertheless, the responsibility for the conformity of the products to the European technical approval and for their fitness for the intended use remains with the holder of the European technical approval.
- 3 This European technical approval is not to be transferred to manufacturers or agents of manufacturers other than those indicated on page 1, or manufacturing plants other than those indicated on page 1 of this European technical approval.
- 4 This European technical approval may be withdrawn by Deutsches Institut für Bautechnik, in particular pursuant to information by the Commission according to Article 5(1) of Council Directive 89/106/EEC.
- 5 Reproduction of this European technical approval including transmission by electronic means shall be in full. However, partial reproduction can be made with the written consent of Deutsches Institut für Bautechnik. In this case partial reproduction has to be designated as such. Texts and drawings of advertising brochures shall not contradict or misuse the European technical approval.
- 6 The European technical approval is issued by the approval body in its official language. This version corresponds fully to the version circulated within EOTA. Translations into other languages have to be designated as such.

¹ Official Journal of the European Communities L 40, 11 February 1989, p. 12
² Official Journal of the European Communities L 220, 30 August 1993, p. 1
³ Official Journal of the European Union L 284, 31 October 2003, p. 25
⁴ *Bundesgesetzblatt Teil I 1998*, p. 812
⁵ *Bundesgesetzblatt Teil I 2011*, p. 2178
⁶ Official Journal of the European Communities L 17, 20 January 1994, p. 34

II SPECIFIC CONDITIONS OF THE EUROPEAN TECHNICAL APPROVAL

1 Definition of product and intended use

1.1 Definition of the construction product

The MÜPRO Steel anchor zinc plated, A4 and HCR in sizes M6×30, M8×30, M8×40, M10×30, M10×40, M12×50 and M16×65 is an anchor made of zinc-plated steel, of stainless steel or high corrosion resistant steel which is placed into a drilled hole and anchored by deformation-controlled expansion.

The product (types, sizes) and an illustration of the installed anchor is given in Annex 1.

The fixture shall be anchored with a fastening screw or threaded rod according to Annex 4.

1.2 Intended use

The anchor is intended to be used for anchorages for which requirements for safety in use in the sense of the Essential Requirements 4 of Council Directive 89/106 EEC shall be fulfilled and failure of the fixture represents an immediate risk to human life. The anchor is to be used only for multiple use for non-structural applications. The definition of multiple use according to the Member States is given in the informative Annex 1 of ETAG 001, Part 6.

The anchor may be used for anchorages with requirements related to resistance to fire.

The anchor is to be used only for anchorages subject to static or quasi-static loading in reinforced or unreinforced normal weight concrete of strength classes C20/25 at minimum and C50/60 at most according to EN 206:2000-12.

The anchor may be used in cracked and non-cracked concrete.

MÜPRO Steel anchor made of zinc-plated steel:

The anchor made of zinc-plated steel may only be used in structures subject to dry internal conditions.

MÜPRO Steel anchor A4 made of stainless steel 1.4401, 1.4404, 1.4571:

The anchor made of stainless steel may be used in structures subject to dry internal conditions and also in structures subject to external atmospheric exposure (including industrial and marine environment), or exposure in permanently damp internal conditions, if no particular aggressive conditions exist. Such particular aggressive conditions are e. g. permanent, alternating immersion in seawater or the splash zone of seawater, chloride atmosphere of indoor swimming pools or atmosphere with extreme chemical pollution (e. g. in desulphurization plants or road tunnels where de-icing materials are used).

MÜPRO Steel anchor HCR made of high corrosion resistant steel 1.4529, 1.4565:

The anchor made of high corrosion resistant steel may be used in structures subject to dry internal conditions and also in structures subject to external atmospheric exposure, in permanently damp internal conditions or in other particular aggressive conditions. Such particular aggressive conditions are e.g. permanent, alternating immersion in seawater or the splash zone of seawater, chloride atmosphere of indoor swimming pools or atmosphere with chemical pollution (e. g. in desulphurization plants or road tunnels where de-icing materials are used).

The provisions made in this European technical approval are based on an assumed working life of the anchor of 50 years. The indications given on the working life cannot be interpreted as a guarantee given by the producer, but are to be regarded only as a means for choosing the right products in relation to the expected economically reasonable working life of the works.

2 Characteristics of product and methods of verification

2.1 Characteristics of product

The anchor corresponds to the drawings and provisions given in Annex 2. The characteristic material values, dimensions and tolerances of the anchor not given in Annex 2 shall correspond to the respective values laid down in the technical documentation⁷ of this European technical approval.

Regarding the requirements concerning safety in case of fire it is assumed that the anchor meets the requirements of class A1 in relation to reaction to fire in accordance with the stipulations of the Commission decision 96/603/EC, amended by 2000/605/EC.

The characteristic values for the design of anchorages are given in the Annexes.

Each anchor is marked with the identifying mark of the producer, the anchor identity and the thread size according to Annex 2. Each anchor made of stainless steel A4 is marked with the additional letters "A4" and each anchor made of high corrosion resistant steel is marked with the additional letters "HCR".

The anchor shall only be packaged and supplied as a complete unit.

2.2 Methods of verification

The assessment of fitness of the anchor for the intended use in relation to the requirements for safety in use in the sense of the Essential Requirements 4 has been made in accordance with the "Guideline for European technical approval of Metal Anchors for use in concrete", Part 1 "Anchors in general" and Part 6 "Anchors for multiple use for non-structural applications".

The assessment of the anchor for the intended use in relation to the requirements for resistance to fire has been made in accordance with the Technical Report TR 020 "Evaluation of anchorages in concrete concerning resistance to fire".

In addition to the specific clauses relating to dangerous substances contained in this European technical approval, there may be other requirements applicable to the products falling within its scope (e.g. transposed European legislation and national laws, regulations and administrative provisions). In order to meet the provisions of the Construction Products Directive, these requirements need also to be complied with, when and where they apply.

⁷ The technical documentation of this European technical approval is deposited at the Deutsches Institut für Bautechnik and, as far as relevant for the tasks of the approved bodies involved in the attestation of conformity procedure, is handed over to the approved bodies.

3 Evaluation and attestation of conformity and CE marking

3.1 System of attestation of conformity

According to the decision 97/161/EG of the European Commission⁸ the system 2(ii) (referred to as system 2+) of attestation of conformity applies.

This system of attestation of conformity is defined as follows:

System 2+: Declaration of conformity of the product by the manufacturer on the basis of:

- (a) Tasks for the manufacturer:
 - (1) initial type-testing of the product;
 - (2) factory production control;
 - (3) testing of samples taken at the factory in accordance with a prescribed control plan.
- (b) Tasks for the approved body:
 - (4) certification of factory production control on the basis of:
 - initial inspection of factory and of factory production control;
 - continuous surveillance, assessment and approval of factory production control.

Note: Approved bodies are also referred to as "notified bodies".

3.2 Responsibilities

3.2.1 Tasks of the manufacturer

3.2.1.1 Factory production control

The manufacturer shall exercise permanent internal control of production. All the elements, requirements and provisions adopted by the manufacturer shall be documented in a systematic manner in the form of written policies and procedures, including records of results performed. This production control system shall insure that the product is in conformity with this European technical approval.

The manufacturer may only use initial / raw / constituent materials stated in the technical documentation of this European technical approval.

The factory production control shall be in accordance with the control plan which is part of the technical documentation of this European technical approval. The control plan is laid down in the context of the factory production control system operated by the manufacturer and deposited at Deutsches Institut für Bautechnik.⁹

The results of factory production control shall be recorded and evaluated in accordance with the provisions of the control plan.

3.2.1.2 Other tasks of manufacturer

The manufacturer shall, on the basis of a contract, involve a body which is approved for the tasks referred to in section 3.1 in the field of the anchor in order to undertake the actions laid down in section 3.3. For this purpose, the control plan referred to in sections 3.2.1.1 and 3.2.2 shall be handed over by the manufacturer to the approved body involved.

The manufacturer shall make a declaration of conformity, stating that the construction product is in conformity with the provisions of this European technical approval.

⁸ Official Journal of the European Communities L 67 of 03.02.1997

⁹ The control plan is a confidential part of the European technical approval and only handed over to the approved body involved in the procedure of attestation of conformity. See section 3.2.2.

3.2.2 Tasks of approved bodies

The approved body shall perform the following tasks in accordance with the provisions laid down in the control plan:

- initial inspection of factory and of factory production control,
- continuous surveillance, assessment and approval of factory production control.

The approved body shall retain the essential points of its actions referred to above and state the results obtained and conclusions drawn in a written report.

The approved certification body involved by the manufacturer shall issue an EC certificate of conformity of the factory production control stating the conformity with the provisions of this European technical approval.

In cases where the provisions of the European technical approval and its control plan are no longer fulfilled the certification body shall withdraw the certificate of conformity and inform Deutsches Institut für Bautechnik without delay.

3.3 CE marking

The CE marking shall be affixed on each packing of the anchor. The letters "CE" shall be followed by the identification number of the approved certification body, where relevant, and be accompanied by the following additional information:

- the name and address of the holder of the approval (legal entity responsible for the manufacture),
- the last two digits of the year in which the CE marking was affixed,
- the number of the EC certificate for the factory production,
- the number of the European technical approval,
- the number of the guideline for European technical approval,
- use category (ETAG 001-6),
- size.

4 Assumptions under which the fitness of the product for the intended use was favourably assessed

4.1 Manufacturing

The European technical approval is issued for the product on the basis of agreed data/information, deposited with Deutsches Institut für Bautechnik, which identifies the product that has been assessed and judged. Changes to the product or production process, which could result in this deposited data/information being incorrect, should be notified to Deutsches Institut für Bautechnik before the changes are introduced. Deutsches Institut für Bautechnik will decide whether or not such changes affect the European technical approval and consequently the validity of the CE marking on the basis of the European technical approval and if so whether further assessment or alterations to the European technical approval shall be necessary.

4.2 Design of anchorages

The fitness of the anchor for the intended use is given under the following conditions:

The anchorages are designed either in accordance with

- ETAG 001 "Guideline for European technical approval of Metal Anchors for use in concrete", Annex C, method B

or in accordance with

- CEN/TS 1992-4:2009, design method B

under the responsibility of an engineer experienced in anchorages and concrete work.

Verifiable calculation notes and drawings are prepared taking account of the loads to be anchored.

The position of the anchor is indicated on the design drawings (e.g. position of the anchor relative to reinforcement or to supports).

The strength class and the length of the fastening screw or threaded rod shall be defined by the designing engineer. The choice of the length shall account for the available thread length, the minimum screwing depth, the thickness of fixture and tolerances of member and fixture. The strength class and the minimum screwing depth of the fastening screw or threaded rod shall be met the requirements according to Annex 4.

The design of anchorages under fire exposure has to consider the conditions given in the Technical Report TR 020 "Evaluation of anchorages in concrete concerning resistance to fire". The relevant characteristic values are given in the Annexes. The design method covers anchors with a fire attack from one side only. If the fire attack is from more than one side, the design method may be taken only, if the edge distance of the anchor is $c \geq 300$ mm.

Local spalling is possible at fire attack. To avoid any influence of the spalling on the anchorage, the concrete member must be designed according to prEN 1992-1-2. The members shall be made of concrete with quartzite additives and have to be protected from direct moisture; and the moisture content of the concrete has to be like in dry internal conditions respectively. The anchorage depth has to be increased for wet concrete by at least 30 mm compared to the given value in the approval.

4.3 Installation of anchors

The fitness for use of the anchor can only be assumed if the anchor is installed as follows:

- Anchor installation carried out by appropriately qualified personnel and under the supervision of the person responsible for technical matters of the site.
- Use of the anchor only as supplied by the manufacturer without exchanging the components of an anchor.
- Anchor installation in accordance with the manufacturer's specifications and drawings and using the appropriate tools.
- Checks before placing the anchor to ensure that the strength class of the concrete in which the anchor is to be placed is in the range given and is not lower than that of the concrete to which the characteristic loads apply.
- Check of concrete being well compacted, e.g. without significant voids.
- Edge distances and spacings not less than the specified values without minus tolerances.
- Positioning of the drill holes without damaging the reinforcement.

- In case of aborted hole: new drilling at a minimum distance away of twice the depth of the aborted hole or smaller distance if the aborted drill hole is filled with high strength mortar and if under shear or oblique tension load it is not in the direction of load application.
- Cleaning of the drill hole.
- Anchor installation such that the effective setting depth is complied with. This compliance is ensured, if the anchor sleeve does not exceed the concrete surface.
- Anchor expansion by impact on the cone using the setting tools given in Annex 3. The anchor is properly set if the stop of the pin reaches the expansion sleeve and the impression of the setting tool for marking is visible as illustrated in Annex 3.
- The fastening screw or threaded rod shall correspond to the requirements given in Annex 4.
- Application of the torque moment given in Annex 4 using a calibrated torque wrench.

5 Responsibility of the manufacturer

The manufacturer is responsible to ensure that the information on the specific conditions according to 1 and 2 including Annexes referred to as well as sections 4.2 and 4.3 is given to those who are concerned. This information may be made by reproduction of the respective parts of the European technical approval. In addition all installation data shall be shown clearly on the package and/or on an enclosed instruction sheet, preferably using illustration(s).

The minimum data required are:

- drill bit diameter,
- thread diameter,
- minimum effective anchorage depth,
- available thread length and minimum screwing depth of the fastening screw or threaded rod,
- minimum hole depth,
- torque moment,
- information on the installation procedure, including cleaning of the hole, preferably by means of an illustration,
- reference to any special installation equipment needed,
- identification of the manufacturing batch.

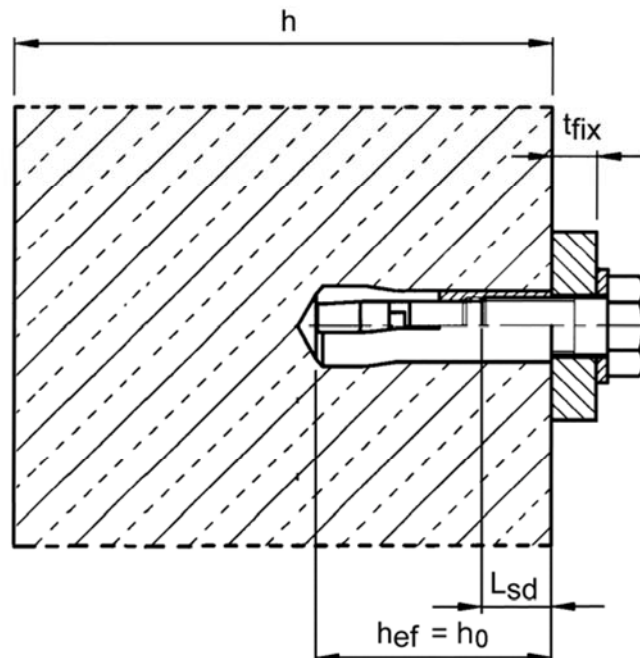
All data shall be presented in a clear and explicit form.

Andreas Kummerow
p.p. Head of Department

beglaubigt:
Baderschneider

Anchor size

M6					
M8			M8 (with plunged boss)		
M8x40			M8x40 (with plunged boss)		
			M10x30 (with plunged boss) (only galvanised)		
M10			M10 (with plunged boss)		
M12			M12 (with plunged boss)		
M16			M16 (with plunged boss)		



MÜPRO Steel anchor zinc plated, A4 and HCR

Product and intended use

Annex 1

Anchor sleeve

Marking: see Table 1

e.g.: \diamond E M8x40



Identifying mark of manufacturing plant

E Anchor identity (Version without shoulder)

ES Anchor identity (Version with shoulder)

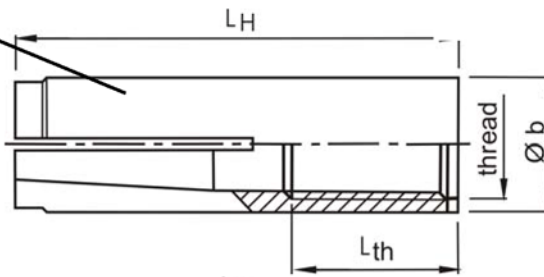
M8 Size of thread

40 Anchorage depth

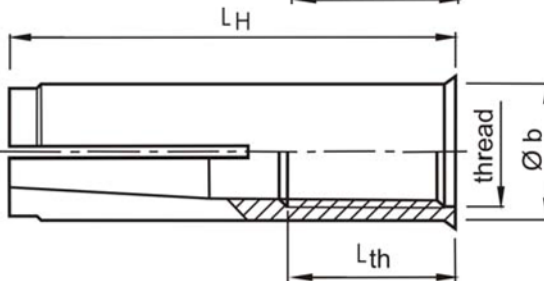
A4 additional marking
of stainless steel A4

HCR additional marking of
high corrosion resistant steel HCR

Anchor version without shoulder (E)

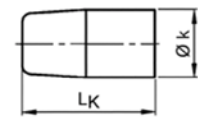


Anchor version with shoulder (ES)



Cone

Size M6x30 and M10x30



Size M8x30 – M16x65

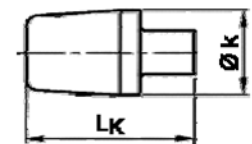


Table 1: Dimensions [mm]

Anchor size	Anchor sleeve				Cone		Marking		
	thread	Ø b	L _H	L _{th}	Ø k	L _k	version E	version ES	alternatively
M6x30	M6	8	30	13	5,0	13	\diamond E M6x30	\diamond ES M6x30	\diamond E M6
M8x30	M8	10	30	13	6,5	12	\diamond E M8x30	\diamond ES M8x30	\diamond E M8
M8x40	M8	10	40	20			\diamond E M8x40	\diamond ES M8x40	\diamond E M8x40
M10x30	M10	12	30	12	8,2	12	-	\diamond ES M10x30	\diamond E M10x30
M10x40	M10	12	40	15	8,2	16	\diamond E M10x40	\diamond ES M10x40	\diamond E M10
M12x50	M12	15	50	18	10,3	20	\diamond E M12x50	\diamond ES M12x50	\diamond E M12
M16x65	M16	19,7	65	23	13,8	29	\diamond E M16x65	\diamond ES M16x65	\diamond E M16

Table 2: Designation of anchor parts and material

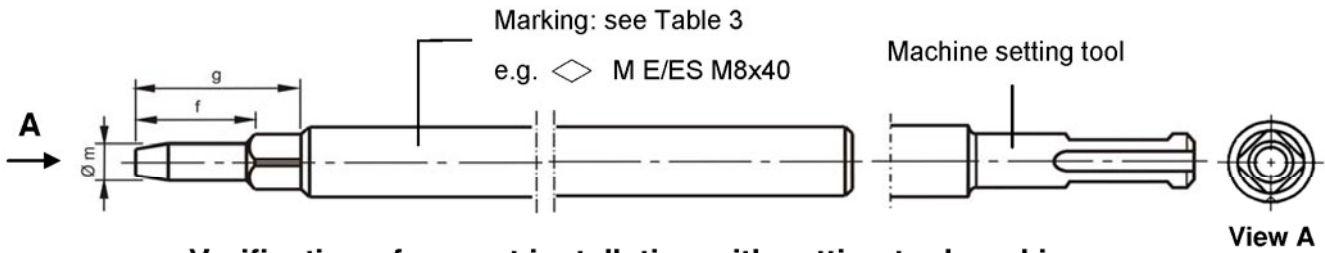
Part	Designation	Steel, zinc plated	Stainless steel A4	High corrosion resistant steel HCR
1	Anchor sleeve	Cold formed or machining steel, zinc plated, EN ISO 4042	Stainless steel, 1.4401, 1.4404, 1.4571, EN 10088, Property class 70, acc. to EN ISO 3505	Stainless steel, 1.4529, 1.4565, EN 10088, Property class 70, acc. to EN ISO 3506
2	Cone	Steel for cold forming acc. to EN 10263-2	Stainless steel, 1.4401, 1.4404, 1.4571, acc. to EN 10088	

MÜPRO Steel anchor zinc plated, A4 and HCR

**Dimensions,
Designation of anchor parts and materials**

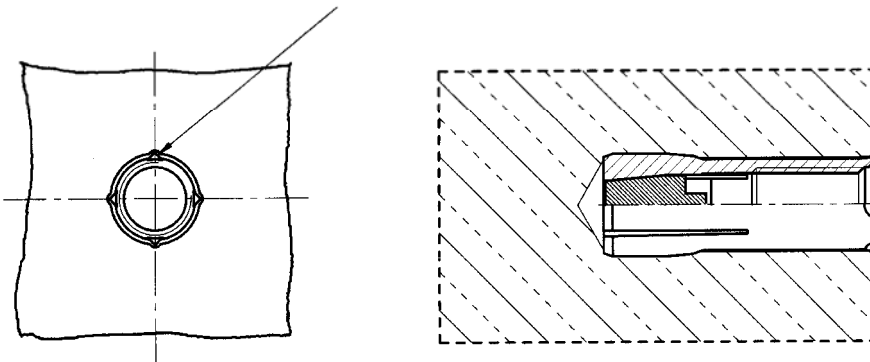
Annex 2

Setting tool for marking



Verification of correct installation with setting tool marking

The setting tool leaves a visible marking after correct installation.



Setting tool

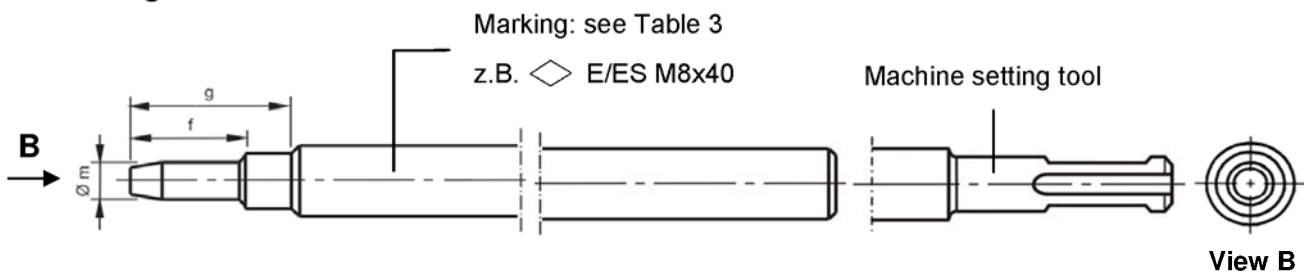


Table 3: Dimensions of setting tools [mm]

Anchor size	Ø m	f	g	Setting tool for marking		Setting tool	
					alternatively		alternatively
M6x30	4,9	17	27	◇ M E/ES M6x30	◇ M E M6	◇ E/ES M6x30	◇ E M6
M8x30	6,4	18	28	◇ M E/ES M8x30	◇ M E M8	◇ E/ES M8x30	◇ E M8
M8x40	6,4	28	38	◇ M E/ES M8x40	◇ M E M8x40	◇ E/ES M8x40	◇ E M8x40
M10x30	8,0	18	28	◇ M ES M10x30	◇ M E M10x30	◇ ES M10x30	◇ E M10x30
M10x40	8,0	24	34	◇ M E/ES M10x40	◇ M E M10	◇ E/ES M10x40	◇ E M10
M12x50	10,0	30	40	◇ M E/ES M12x50	◇ M E M12	◇ E/ES M12x50	◇ E M12
M16x65	13,5	36	46	◇ M E M16x65	◇ M E M16	◇ E/ES M16x65	◇ E M16

MÜPRO Steel anchor zinc plated, A4 and HCR

Dimensions of setting tools and verification of correct installation

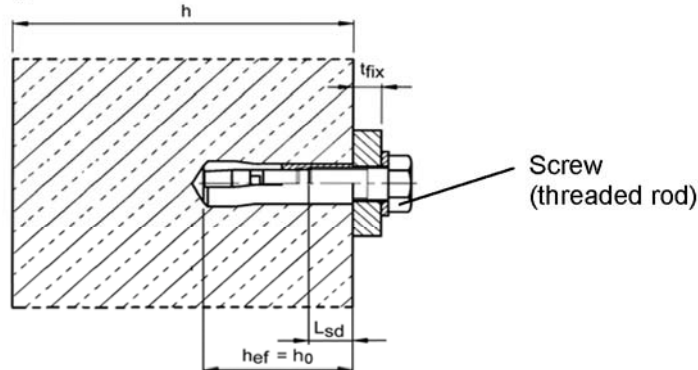
Annex 3

Table 4: Installation parameters

Anchor size		M6x30	M8x30	M8x40	M10x30	M10x40	M12x50	M16x65
Depth of drill hole	$h_0 =$ [mm]	30	30	40	30	40	50	65
Drill hole diameter	$d_0 =$ [mm]	8	10	10	12	12	15	20
Cutting diameter of drill bit	$d_{cut} \leq$ [mm]	8,45	10,45	10,45	12,5	12,5	15,5	20,55
max. Recommended setting torque ¹⁾	$T_{inst} \leq$ [Nm]	4	8	8	15	15	35	60
Diameter of clearance hole in the fixture	$d_f \leq$ [mm]	7	9	9	12	12	14	18
Available thread length	L_{th} [mm]	13	13	20	12	15	18	23
Minimum screwing depth	L_{sdmin} [mm]	7	9	9	10	11	13	18
Spacing	s_{cr} [mm]	130	180	210	230	170	170	400
Edge distance	c_{cr} [mm]	65	90	105	115	85	85	200
Steel, zinc plated								
Minimum thickness of member	h_{min} [mm]	100	100	100	120	120	130	160
Minimum spacing	s_{min} [mm]	55	60	80	100	100	120	150
Minimum distance	c_{min} [mm]	95	95	95	115	135	165	200
Stainless steel A4, HCR								
Minimum thickness of member	h_{min} [mm]	100	100	100	-	130	140	160
Minimum spacing	s_{min} [mm]	50	60	80	-	100	120	150
Minimum edge distance	c_{min} [mm]	80	95	95	-	135	165	200

¹⁾ If the screw or threaded rod is otherwise secured against unscrewing, the torque can be omitted.

For requirements on fire resistance, see Annex 6.



Requirements of the fastening screw or the threaded rod and nut according to the engineering documents:

- Minimum screw-in depth L_{sdmin} see Table 4
- The length of screw or the threaded rod shall be determined depending on the thickness of fixture t_{fix} , available thread length L_{th} (= maximum screw-in depth) and the minimum screw-in depth L_{sdmin} .
- $A_5 > 8\%$ Ductility

Steel, zinc plated

- Property class 4.6 / 4.8 / 5.6 / 5.8 or 8.8 according to EN ISO 898-1 or EN ISO 898-2

Stainless steel A4

- Material 1.4401; 1.4404; 1.4578; 1.4571; 1.4439; 1.4362 EN 10088
- Property class 70 or 80 according to EN ISO 3506

High corrosion resistant steel (HCR)

- Material 1.4529; 1.4565 EN 10088
- Property class 70 or 80 according to EN ISO 3506

MÜPRO Steel anchor zinc plated, A4 and HCR

Installation parameters

Annex 4

Installation instructions

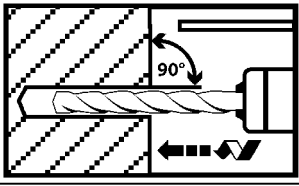
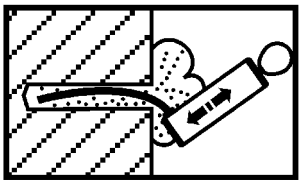
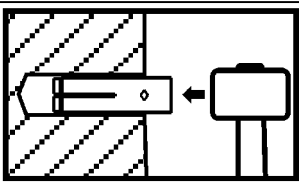
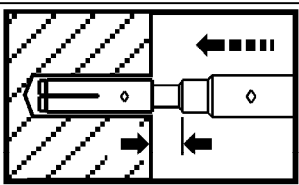
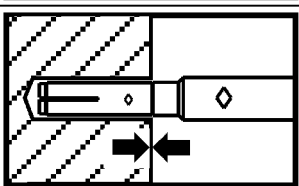
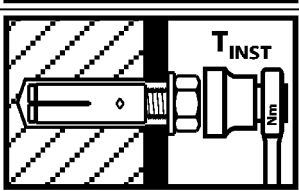
1		Drill hole perpendicular to concrete surface.
2		Blow out dust.
3		Drive in anchor.
4		Drive in cone by using setting tool.
5		Shoulder of setting tool must fit on anchor rim.
6		Apply installation torque T_{inst} by using torque wrench.

Table 5: Characteristic values of resistance, Design method B, ETAG 001, Annex C

Anchor size			M6x30	M8x30	M8x40	M10x30	M10x40	M12x50	M16x65
Load in any direction									
Characteristic resistance in concrete C20/25 to C50/60	F_{RK}^0 ¹⁾	[kN]	3	5	6	6	6	6	16
Partial safety factor	γ_M	[-]	1,8	2,16		2,1	2,16	1,8	1,8
Shear load with lever arm, Steel zinc plated									
Characteristic resistance (Steel 4.6)	$M_{RK,s}^0$ ²⁾	[Nm]	6,1	15	15	30	30	52	133
Partial safety factor	γ_{Ms}	[-]	1,67						
Characteristic resistance (Steel 4.8)	$M_{RK,s}^0$ ²⁾	[Nm]	6,1	15	15	30	30	52	133
Partial safety factor	γ_{Ms}	[-]	1,25						
Characteristic resistance (Steel 5.6)	$M_{RK,s}^0$ ²⁾	[Nm]	7,6	19	19	37	37	65	166
Partial safety factor	γ_{Ms}	[-]	1,67						
Characteristic resistance (Steel 5.8)	$M_{RK,s}^0$ ²⁾	[Nm]	7,6	19	19	37	37	65	166
Partial safety factor	γ_{Ms}	[-]	1,25						
Characteristic resistance (Steel 8.8)	$M_{RK,s}^0$ ²⁾	[Nm]	12	30	30	59	60	105	266
Partial safety factor	γ_{Ms}	[-]	1,25						
Shear load with lever arm, Stainless steel A4 / HCR									
Characteristic resistance (Property class 70)	$M_{RK,s}^0$ ²⁾	[Nm]	11	26	26	-	52	92	233
Partial safety factor	γ_{Ms}	[-]	1,56						
Characteristic resistance (Property class 80)	$M_{RK,s}^0$ ²⁾	[Nm]	12	30	30	-	60	105	266
Partial safety factor	γ_{Ms}	[-]	1,33						

¹⁾ The anchor may only be applied to multiple use for non-structural applications, the definition of multiple use for the Member States is given in the informative Annex 1 of ETAG 001, Part 6

²⁾ Characteristic bending moment $M_{RK,s}^0$ for equation (5.5) in ETAG 001, Annex C

MÜPRO Steel anchor zinc plated, A4 and HCR

Characteristic values of resistance, Design method B, ETAG 001, Annex C

Annex 6

Table 6: Characteristic values under fire exposure in concrete C20/25 to C50/60, Design method B, ETAG 001, Annex C

Anchor size			M6x30	M8x30	M8x40	M10x30	M10x40	M12x50	M16x65	
Fire resistance class	Load in any direction									
Steel 4.6	R 30	Characteristic resistance	$F^0_{Rk,fi}$ [kN]	0,2	0,4	0,4	0,9	0,9	1,5	3,1
	R 60		[kN]	0,2	0,3	0,3	0,8	0,8	1,3	2,4
	R 90		[kN]	0,1	0,3	0,3	0,6	0,6	1,1	2,0
	R 120		[kN]	0,1	0,2	0,2	0,5	0,5	0,8	1,6
Steel 4.8	R 30	Characteristic resistance	$F^0_{Rk,fi}$ [kN]	0,4	0,9	1,1	0,9	1,5	1,5	4,0
	R 60		[kN]	0,3	0,9	0,9	0,9	1,5	1,5	4,0
	R 90		[kN]	0,3	0,6	0,6	0,9	1,1	1,5	3,0
	R 120		[kN]	0,3	0,5	0,5	0,7	0,9	1,2	2,4
Steel ≥ 5.6	R 30	Characteristic resistance	$F^0_{Rk,fi}$ [kN]	0,8	0,9	1,5	0,9	1,5	1,5	4,0
	R 60		[kN]	0,8	0,9	1,5	0,9	1,5	1,5	4,0
	R 90		[kN]	0,4	0,9	0,9	0,9	1,5	1,5	3,7
	R 120		[kN]	0,3	0,5	0,5	0,7	1,0	1,2	2,4
A4 / HCR	R 30	Characteristic resistance	$F^0_{Rk,fi}$ [kN]	0,8	0,9	1,5	-	1,5	1,5	4,0
	R 60		[kN]	0,8	0,9	1,5	-	1,5	1,5	4,0
	R 90		[kN]	0,4	0,9	0,9	-	1,5	1,5	3,7
	R 120		[kN]	0,3	0,5	0,5	-	1,0	1,2	2,4
Partial safety factor $\gamma_{M,fi}$			[-]	1,0						
Steel zinc plated										
R 30 to R 120	Spacing	$S_{cr,fi}$ [mm]	130	180	210	170	170	200	400	
		S_{min} [mm]	55	60	80	100	100	120	150	
	Edge distance	$C_{cr,fi}$ [mm]	65	90	105	85	85	100	200	
		C_{min} [mm]	95	95	95	115	135	165	200	
If the fire attack is from more than one side, the edge distance shall be ≥ 300 mm.										
Stainless steel A4, HCR										
R 30 to R 120	Spacing	$S_{cr,fi}$ [mm]	130	180	210	-	170	200	400	
		S_{min} [mm]	50	60	80	-	100	120	150	
	Edge distance	$C_{cr,fi}$ [mm]	65	90	105	-	85	100	200	
		C_{min} [mm]	80	95	95	-	135	165	200	
If the fire attack is from more than one side, the edge distance shall be ≥ 300 mm.										

MÜPRO Steel anchor zinc plated, A4 and HCR

Characteristic values under fire exposure in concrete C20/25 to C50/60, Design method B, ETAG 001, Annex C

Annex 7

Table 7: Characteristic values of resistance, Design method B, CEN/TS 1992-4-1

Anchor size			M6x30	M8x30	M8x40	M10x30	M10x40	M12x50	M16x65
Load in any direction									
Characteristic resistance in concrete C20/25 to C50/60	F_{Rk}^0	[kN]	3	5	6	6	6	6	16
Partial safety factor	γ_M	[-]	1,8	2,16		2,1	2,16	1,8	1,8
Shear load with lever arm, Steel zinc plated									
Characteristic resistance (Steel 4.6)	$M_{Rk,s}^0$ ¹⁾	[Nm]	6,1	15	15	30	30	52	133
Partial safety factor	γ_{Ms}	[-]	1,67						
Characteristic resistance (Steel 4.8)	$M_{Rk,s}^0$ ¹⁾	[Nm]	6,1	15	15	30	30	52	133
Partial safety factor	γ_{Ms}	[-]	1,25						
Characteristic resistance (Steel 5.6)	$M_{Rk,s}^0$ ¹⁾	[Nm]	7,6	19	19	37	37	65	166
Partial safety factor	γ_{Ms}	[-]	1,67						
Characteristic resistance (Steel 5.8)	$M_{Rk,s}^0$ ¹⁾	[Nm]	7,6	19	19	37	37	65	166
Partial safety factor	γ_{Ms}	[-]	1,25						
Characteristic resistance (Steel 8.8)	$M_{Rk,s}^0$ ¹⁾	[Nm]	12	30	30	59	60	105	266
Partial safety factor	γ_{Ms}	[-]	1,25						
Shear load with lever arm, Stainless steel A4 / HCR									
Characteristic resistance (Property class 70)	$M_{Rk,s}^0$ ¹⁾	[Nm]	11	26	26	-	52	92	233
Partial safety factor	γ_{Ms}	[-]	1,56						
Characteristic resistance (Property class 80)	$M_{Rk,s}^0$ ¹⁾	[Nm]	12	30	30	-	60	105	266
Partial safety factor	γ_{Ms}	[-]	1,33						

¹⁾ Characteristic bending moment $M_{Rk,s}^0$ for equation (D.5) CEN/TS 1992-4-1

MÜPRO Steel anchor zinc plated, A4 and HCR

Characteristic values of resistance, Design method B, CEN/TS 1992-4-1

Annex 8

Table 8: Characteristic values under fire exposure in concrete C20/25 to C50/60, Design method B, CEN/TS 1992-4-1

Anchor size				M6x30	M8x30	M8x40	M10x30	M10x40	M12x50	M16x65
Fire resistance class		Load in any direction								
Steel 4.6	R 30	Characteristic resistance	$F^0_{Rk,fi}$ [kN]	0,2	0,4	0,4	0,9	0,9	1,5	3,1
	R 60		[kN]	0,2	0,3	0,3	0,8	0,8	1,3	2,4
	R 90		[kN]	0,1	0,3	0,3	0,6	0,6	1,1	2,0
	R 120		[kN]	0,1	0,2	0,2	0,5	0,5	0,8	1,6
Steel 4.8	R 30	Characteristic resistance	$F^0_{Rk,fi}$ [kN]	0,4	0,9	1,1	0,9	1,5	1,5	4,0
	R 60		[kN]	0,3	0,9	0,9	0,9	1,5	1,5	4,0
	R 90		[kN]	0,3	0,6	0,6	0,9	1,1	1,5	3,0
	R 120		[kN]	0,3	0,5	0,5	0,7	0,9	1,2	2,4
Steel ≥ 5.6	R 30	Characteristic resistance	$F^0_{Rk,fi}$ [kN]	0,8	0,9	1,5	0,9	1,5	1,5	4,0
	R 60		[kN]	0,8	0,9	1,5	0,9	1,5	1,5	4,0
	R 90		[kN]	0,4	0,9	0,9	0,9	1,5	1,5	3,7
	R 120		[kN]	0,3	0,5	0,5	0,7	1,0	1,2	2,4
A4 / HCR	R 30	Characteristic resistance	$F^0_{Rk,fi}$ [kN]	0,8	0,9	1,5	-	1,5	1,5	4,0
	R 60		[kN]	0,8	0,9	1,5	-	1,5	1,5	4,0
	R 90		[kN]	0,4	0,9	0,9	-	1,5	1,5	3,7
	R 120		[kN]	0,3	0,5	0,5	-	1,0	1,2	2,4
Partial safety factor $\gamma_{M,fi}$			[-]	1,0						
Steel zinc plated										
R 30 to R 120	Spacing	$S_{cr,fi}$ [mm]	130	180	210	170	170	200	400	
		S_{min} [mm]	55	60	80	100	100	120	150	
	Edge distance	$C_{cr,fi}$ [mm]	65	90	105	85	85	100	200	
		C_{min} [mm]	95	95	95	115	135	165	200	
If the fire attack is from more than one side, the edge distance shall be ≥ 300 mm.										
Stainless steel A4, HCR										
R 30 to R 120	Spacing	$S_{cr,fi}$ [mm]	130	180	210	-	170	200	400	
		S_{min} [mm]	50	60	80	-	100	120	150	
	Edge distance	$C_{cr,fi}$ [mm]	65	90	105	-	85	100	200	
		C_{min} [mm]	80	95	95	-	135	165	200	
If the fire attack is from more than one side, the edge distance shall be ≥ 300 mm.										

MÜPRO Steel anchor zinc plated, A4 and HCR

Characteristic values under fire exposure in concrete C20/25 to C50/60, Design method B, CEN/TS 1992-4-1

Annex 9