



European Technical Approval ETA-13/0505

English translation prepared by DIBt - Original version in German language

Handelsbezeichnung <i>Trade name</i>	DeWalt Durchsteckanker PTB-SS-PRO <i>DeWalt Throughbolt PTB-SS-PRO</i>
Zulassungsinhaber <i>Holder of approval</i>	DeWalt Black & Decker Straße 40 65510 Idstein DEUTSCHLAND
Zulassungsgegenstand und Verwendungszweck <i>Generic type and use of construction product</i>	Kraftkontrolliert spreizender Dübel aus nichtrostendem Stahl in den Größen M8, M10 und M12 zur Verankerung im ungerissenen Beton <i>Torque controlled expansion anchor made of stainless steel of sizes M8, M10 and M12 for use in non-cracked concrete</i>
Geltungsdauer: <i>Validity:</i>	vom <i>from</i> bis <i>to</i>
Herstellwerk <i>Manufacturing plant</i>	Plant 3
	28 June 2013 28 June 2018

Diese Zulassung umfasst
This Approval contains

11 Seiten einschließlich 4 Anhänge
11 pages including 4 annexes

I LEGAL BASES AND GENERAL CONDITIONS

- 1 This European technical approval is issued by Deutsches Institut für Bautechnik in accordance with:
 - Council Directive 89/106/EEC of 21 December 1988 on the approximation of laws, regulations and administrative provisions of Member States relating to construction products¹, modified by Council Directive 93/68/EEC² and Regulation (EC) N° 1882/2003 of the European Parliament and of the Council³;
 - *Gesetz über das In-Verkehr-Bringen von und den freien Warenverkehr mit Bauprodukten zur Umsetzung der Richtlinie 89/106/EWG des Rates vom 21. Dezember 1988 zur Angleichung der Rechts- und Verwaltungsvorschriften der Mitgliedstaaten über Bauprodukte und anderer Rechtsakte der Europäischen Gemeinschaften (Bauproduktengesetz - BauPG) vom 28. April 1998⁴, as amended by Article 2 of the law of 8 November 2011⁵;*
 - Common Procedural Rules for Requesting, Preparing and the Granting of European technical approvals set out in the Annex to Commission Decision 94/23/EC⁶;
 - Guideline for European technical approval of "Metal anchors for use in concrete - Part 2: Torque controlled expansion anchors ", ETAG 001-02.
- 2 Deutsches Institut für Bautechnik is authorized to check whether the provisions of this European technical approval are met. Checking may take place in the manufacturing plant. Nevertheless, the responsibility for the conformity of the products to the European technical approval and for their fitness for the intended use remains with the holder of the European technical approval.
- 3 This European technical approval is not to be transferred to manufacturers or agents of manufacturers other than those indicated on page 1, or manufacturing plants other than those indicated on page 1 of this European technical approval.
- 4 This European technical approval may be withdrawn by Deutsches Institut für Bautechnik, in particular pursuant to information by the Commission according to Article 5(1) of Council Directive 89/106/EEC.
- 5 Reproduction of this European technical approval including transmission by electronic means shall be in full. However, partial reproduction can be made with the written consent of Deutsches Institut für Bautechnik. In this case partial reproduction has to be designated as such. Texts and drawings of advertising brochures shall not contradict or misuse the European technical approval.
- 6 The European technical approval is issued by the approval body in its official language. This version corresponds fully to the version circulated within EOTA. Translations into other languages have to be designated as such.

¹ Official Journal of the European Communities L 40, 11 February 1989, p. 12
² Official Journal of the European Communities L 220, 30 August 1993, p. 1
³ Official Journal of the European Union L 284, 31 October 2003, p. 25
⁴ *Bundesgesetzblatt Teil I 1998*, p. 812
⁵ *Bundesgesetzblatt Teil I 2011*, p. 2178
⁶ Official Journal of the European Communities L 17, 20 January 1994, p. 34

II SPECIFIC CONDITIONS OF THE EUROPEAN TECHNICAL APPROVAL

1 Definition of product/ products and intended use

1.1 Definition of the construction product

The DeWalt Throughbolt PTB-SS-PRO is an anchor made of stainless steel of sizes M8, M10, and M12 which is placed into a drilled hole and anchored by torque-controlled expansion.

An illustration of the product and intended use is given in Annex 1.

1.2 Intended use

The anchor is intended to be used for anchorages for which requirements for mechanical resistance and stability and safety in use in the sense of the Essential Requirements 1 and 4 of Council Directive 89/106 EEC shall be fulfilled and failure of anchorages made with these products would cause risk to human life and/or lead to considerable economic consequences.

The anchor is to be used for anchorages subject to static or quasi-static. It may be used in reinforced or unreinforced normal weight concrete of strength classes C20/25 at minimum and C50/60 at most according to EN 206:2000-12.

It may be anchored in non-cracked concrete only.

The anchor made of stainless steel may be used in structures subject to dry internal conditions and also in structures subject to external atmospheric exposure (including industrial and marine environment), or exposure in permanently damp internal conditions, if no particular aggressive conditions exist. Such particular aggressive conditions are e.g. permanent, alternating immersion in seawater or the splash zone of seawater, chloride atmosphere of indoor swimming pools or atmosphere with extreme chemical pollution (e.g. in desulphurization plants or road tunnels where de-icing materials are used).

The provisions made in this European technical approval are based on an assumed working life of the anchor of 50 years. The indications given on the working life cannot be interpreted as a guarantee given by the producer, but are to be regarded only as a means for choosing the right products in relation to the expected economically reasonable working life of the works.

2 Characteristics of the product and methods of verification

2.1 Characteristics of the product

The anchor corresponds to the drawings and provisions given in the Annexes. The characteristic material values, dimensions and tolerances of the anchor not given in the Annexes shall correspond to the respective values laid down in the technical documentation⁷ of this European technical approval.

The characteristic values for design of anchorages are given in the Annexes.

Each anchor is marked according to Annex 1.

The anchor shall only be packaged and supplied as a complete unit.

⁷ The technical documentation of this European Technical Approval is deposited at the Deutsches Institut für Bautechnik and, as far as relevant for the tasks of the approved bodies involved in the attestation of conformity procedure, is handed over to the approved bodies.

2.2 Methods of verification

The assessment of fitness of the anchor for the intended use in relation to the requirements for mechanical resistance and stability and safety in use in the sense of the Essential Requirements 1 and 4 has been made in accordance with the "Guideline for European technical approval of Metal Anchors for Use in Concrete", Part 1 "Anchors in general" and Part 2 "Torque-controlled expansion anchors", on the basis of Option 7.

In addition to the specific clauses relating to dangerous substances contained in this European technical approval, there may be other requirements applicable to the products falling within its scope (e. g. transposed European legislation and national laws, regulations and administrative provisions). In order to meet the provisions of the Construction Products Directive, these requirements need also to be complied with, when and where they apply.

3 Evaluation and attestation of conformity and CE marking

3.1 System of attestation of conformity

According to the decision 96/582/EG of the European Commission⁸ the system 2(i) (referred to as system 1) of attestation of conformity applies.

This system of attestation of conformity is defined as follows:

System 1: Certification of the conformity of the product by an approved certification body on the basis of:

- (a) Tasks for the manufacturer:
 - (1) factory production control;
 - (2) further testing of samples taken at the factory by the manufacturer in accordance with a prescribed test plan;
- (b) Tasks for the approved body:
 - (3) initial type-testing of the product;
 - (4) initial inspection of factory and of factory production control;
 - (5) continuous surveillance, assessment and approval of factory production control.

Note: Approved bodies are also referred to as "notified bodies".

3.2 Responsibilities

3.2.1 Tasks of the manufacturer

3.2.1.1 Factory production control

The manufacturer shall exercise permanent internal control of production. All the elements, requirements and provisions adopted by the manufacturer shall be documented in a systematic manner in the form of written policies and procedures, including records of results performed. This production control system shall insure that the product is in conformity with this European technical approval.

The manufacturer may only use initial/ raw/ constituent materials stated in the technical documentation of this European technical approval.

⁸ Official Journal of the European Communities L 254 of 08.10.1996.

The factory production control shall be in accordance with the control plan which is part of the technical documentation of this European technical approval. The control plan is laid down in the context of the factory production control system operated by the manufacturer and deposited at Deutsches Institut für Bautechnik⁹.

The results of factory production control shall be recorded and evaluated in accordance with the provisions of the control plan.

3.2.1.2 Other tasks of manufacturer

The manufacturer shall, on the basis of a contract, involve a body which is approved for the tasks referred to in section 3.1 in the field of anchors in order to undertake the actions laid down in section 3.2.2. For this purpose, the control plan referred to in sections 3.2.1.1 and 3.2.2 shall be handed over by the manufacturer to the approved body involved.

The manufacturer shall make a declaration of conformity, stating that the construction product is in conformity with the provisions of this European technical approval.

3.2.2 Tasks of approved bodies

The approved body shall perform the

- initial type-testing of the product,
- initial inspection of factory and of factory production control,
- continuous surveillance, assessment and approval of factory production control,

in accordance with the provisions laid down in the control plan.

The approved body shall retain the essential points of its actions referred to above and state the results obtained and conclusions drawn in a written report.

The approved certification body involved by the manufacturer shall issue an EC certificate of conformity of the product stating the conformity with the provisions of this European technical approval.

In cases where the provisions of the European technical approval and its control plan are no longer fulfilled the certification body shall withdraw the certificate of conformity and inform Deutsches Institut für Bautechnik without delay.

3.3 CE marking

The CE marking shall be affixed on each packaging of the anchor. The letters "CE" shall be followed by the identification number of the approved certification body, where relevant, and be accompanied by the following additional information:

- the name and address of the producer (legal entity responsible for the manufacturer),
- the last two digits of the year in which the CE marking was affixed,
- the number of the EC certificate of conformity for the product,
- the number of the European technical approval,
- the number of the guideline for European technical approval,
- use category (ETAG 001-1 Option 7),
- size.

⁹

The control plan is a confidential part of the documentation of the European technical approval, but not published together with the ETA and only handed over to the approved body involved in the procedure of attestation of conformity. See section 3.2.2.

4 Assumptions under which the fitness of the product for the intended use was favourably assessed

4.1 Manufacturing

The European technical approval is issued for the product on the basis of agreed data/information, deposited with Deutsches Institut für Bautechnik, which identifies the product that has been assessed and judged. Changes to the product or production process, which could result in this deposited data/information being incorrect, should be notified to Deutsches Institut für Bautechnik before the changes are introduced. Deutsches Institut für Bautechnik will decide whether or not such changes affect the approval and consequently the validity of the CE marking on the basis of the approval and if so whether further assessment or alterations to the approval shall be necessary.

4.2 Design of anchorages

The fitness of the anchor for the intended use is given under the following conditions:

The anchorages are designed in accordance with ETAG 001 "Guideline for European technical approval of Metal Anchors for Use in Concrete", Annex C, Method A under the responsibility of an engineer experienced in anchorages and concrete work.

Verifiable calculation notes and drawings are taking account of the loads to be anchored.

The position of the anchor is indicated on the design drawings (e.g. position of the anchor relative to reinforcement or to supports).

4.3 Installation of anchors

The fitness for use of the anchor can only be assumed if the anchor is installed as follows:

- Anchor installation carried out by appropriately qualified personnel and under the supervision of the person responsible for technical matters of the site,
- Use of the anchor only as supplied by the manufacturer without exchanging the components of an anchor,
- Anchor installation in accordance with the manufacturer's specifications and drawings and using the appropriate tools,
- Checks before placing the anchor to ensure that the strength class of the concrete in which the anchor is to be placed is in the range given and is not lower than that of the concrete to which the characteristic loads apply,
- Check of concrete being well compacted, e. g. without significant voids,
- Edge distances and spacing not less than the specified values without minus tolerances,
- Positioning of the drill holes without damaging the reinforcement,
- In case of aborted hole: new drilling at a minimum distance away of twice the depth of the aborted hole or smaller distance if the aborted drill hole is filled with high strength mortar and if under shear or oblique tension load it is not in the direction of load application,
- Cleaning of the hole of drilling dust,
- Anchor installation such that the effective anchorage depth is complied with. This compliance is ensured when the embedment mark of the anchor does no more exceed the concrete surface,
- Application of the installation torque given in the Annex 2 using a calibrated torque wrench.

5 Responsibility of the manufacturer

The manufacturer is responsible to ensure that the information on the specific conditions according to 1 and 2 including Annexes referred to as well as sections 4.2 and 4.3 is given to those who are concerned. This information may be made by reproduction of the respective parts of the European technical approval. In addition all installation data shall be shown clearly on the package and/or on an enclosed instruction sheet, preferably using illustration(s).

The minimum data required are:

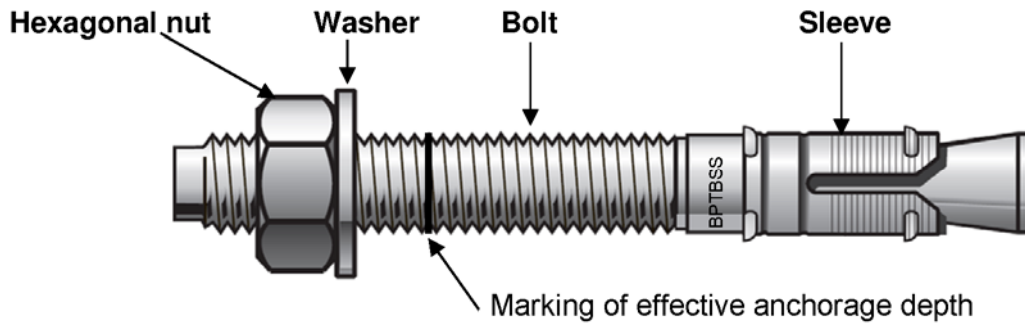
- Diameter of drill bit,
- Thread diameter,
- Maximum thickness of the fixture,
- Minimum effective anchorage depth,
- Minimum hole depth,
- Required installation torque,
- Information on the installation procedure, including cleaning of the hole, preferably by means of an illustration,
- Reference to any special installation equipment needed,
- Identification of the manufacturing batch.

All data shall be presented in a clear and explicit form.

Uwe Bender
Head of Department

beglaubigt:
Lange

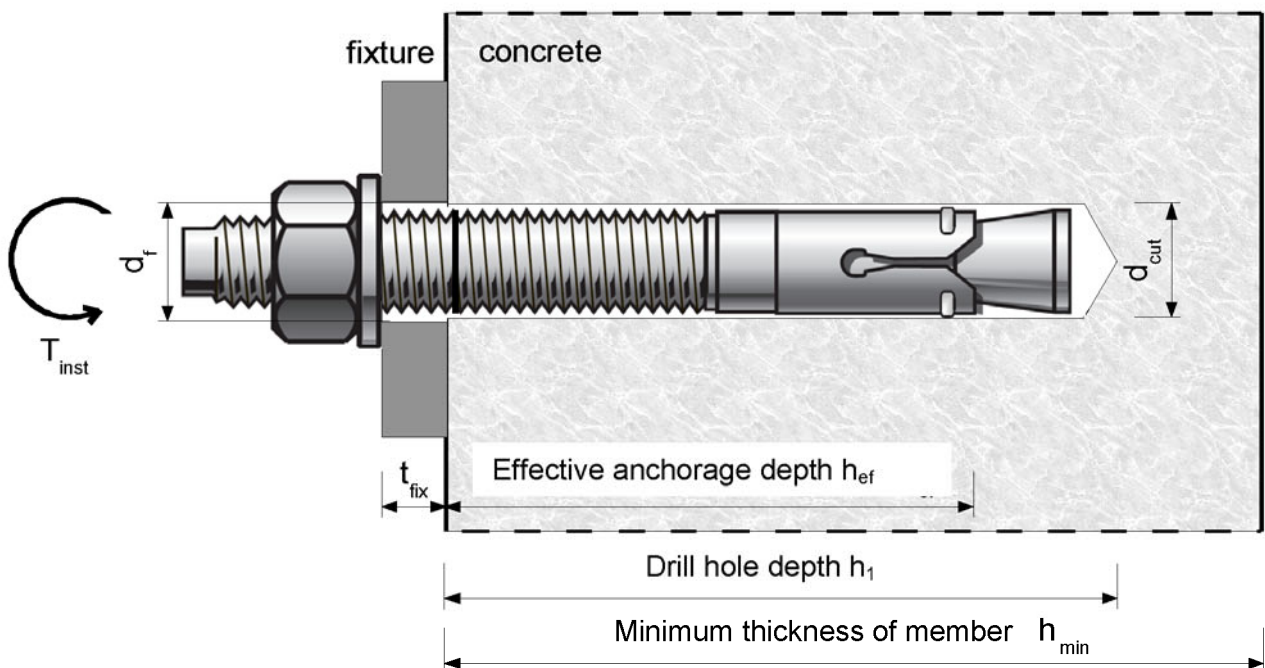
Product:



Marking:

on the bolt: BPTBSS (product name)
followed by X / Y, where
X= nominal diameter,
Y= total length of the anchor

Intended use (schematic drawing):



DEWALT THROUGH BOLT PTB-SS-PRO

Product and intended use

Annex 1

Different parts of the anchor (schematic drawing):

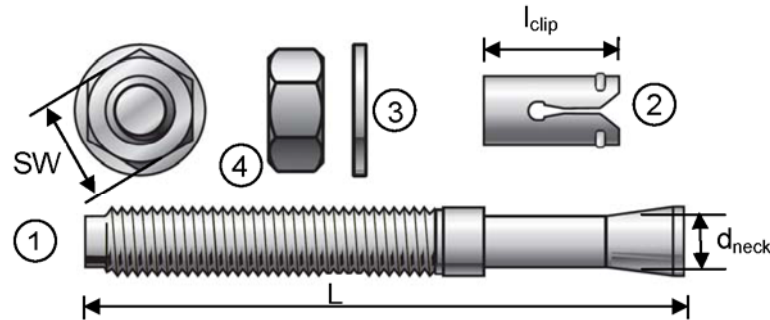


Table 1: Materials

Part	Designation	Material
1	Cone bolt	Cold formed stainless steel EN 10088, Mat. No.: 1.4401, 1.4404, 1.4571 or 1.4578 ¹⁾
2	Expansion clip	Stainless steel EN 10088, Mat. No.: 1.4401, 1.4404, 1.4571 or 1.4578 ¹⁾
3	Washer	Stainless steel EN 10088, Mat. No.: 1.4401, 1.4404, 1.4571 or 1.4578 ¹⁾ , ISO 3506-1 DIN 125, DIN 9021 or EN ISO 7089
4	Hexagonal nut	Stainless steel EN 10088, Mat. No.: 1.4401, 1.4404, 1.4571 or 1.4578 ¹⁾ ISO 3506-2 property class 70 DIN 934 or EN ISO 4032

¹⁾ SAE grade: SS316

Table 2: Anchor dimensions

				M8	M10	M12
Length cone bolt	Minimum	L	[mm]	55	80	85
	Maximum		[mm]	155	180	185
Fixture thickness	Minimum	t _{fix}	[mm]	0	0	0
	Maximum		[mm]	100	100	100
Diameter cone neck		d _{neck}	[mm]	5,9	7,5	9,5
Length expansion clip		l _{clip}	[mm]	13,5	18	21,5
Width torque wrench		SW	[mm]	13	17	19

Table 3: Installation parameters

				M8	M10	M12
Cutting diameter of drill bit	d _{cut}	[mm]		≤ 8,45	≤ 10,45	≤ 12,5
Depth of drilled hole	h ₁	[mm]		50	65	85
Effective anchorage depth	h _{ef}	[mm]		40	55	70
Setting torque	T _{inst}	[Nm]		20	45	60
Diameter clearance hole fixture	d _f	[mm]		9	12	14
Min. thickness concrete member	h _{min}	[mm]		100	120	140
Minimum allowable edge distance	c _{min}	[mm]		70	80	90
Minimum allowable spacing	s _{min}	[mm]		70	80	90

DEWALT THROUGH BOLT PTB-SS-PRO

Annex 2

Materials, anchor dimensions, installation parameters

Table 4: Design method A- characteristic values for tension loading

			M8	M10	M12
Steel failure					
Characteristic resistance	$N_{RK,S}$	[kN]	19,1	30,9	49,6
Partial safety factor	γ_{Ms} ¹⁾	[-]	1,5		
Pullout failure					
Characteristic resistance in non-cracked concrete C20/25	$N_{RK,D}$	[kN]	7,5	9,0	20,0
Partial safety factor	γ_{Mp} ¹⁾	[-]	1,8 ²⁾	1,5 ³⁾	1,5 ³⁾
Increasing factor for N_{RK} concrete C30/37	Ψ_c	[-]	1,18		
Increasing factor for N_{RK} concrete C40/50		[-]	1,34		
Increasing factor for N_{RK} concrete C50/60		[-]	1,45		
Concrete cone failure and splitting failure					
Effective anchorage depth	h_{ef}	[mm]	40	55	70
Partial safety factor	$\gamma_{Mc} = \gamma_{Msp}$ ¹⁾	[-]	1,8 ²⁾	1,5 ³⁾	1,5 ³⁾
Characteristic spacing concrete cone failure	$S_{cr,N}$	[mm]	3 · h_{ef}		
Characteristic edge distance concrete cone failure	$C_{cr,N}$	[mm]	1,5 · h_{ef}		
Characteristic spacing splitting failure	$S_{cr,sp}$	[mm]	200	240	280
Characteristic edge distance splitting failure	$C_{cr,sp}$	[mm]	100	120	140

¹⁾ In absence of other national regulations

²⁾ The value contains an installation safety factor $\gamma_2 = 1,2$

³⁾ The value contains an installation safety factor $\gamma_2 = 1,0$

Table 5: Displacements under tension loads

		M8	M10	M12
Tension load in non-cracked concrete C20/25 [kN]		3,0	4,3	9,5
Displacement	δ_{N0} [mm]	0,5	0,6	0,8
	$\delta_{N\infty}$ [mm]	1,1	1,8	1,8

DEWALT THROUGH BOLT PTB-SS-PRO

Annex 3

Design method A, characteristic values for tension loading,
Displacements

Table 6: Design method A- characteristic values for shear loading

			M8	M10	M12
Steel failure without lever arm					
Characteristic resistance	$V_{Rk,S}$	[kN]	10,8	17,1	24,8
Partial safety factor	$\gamma_{Ms}^{1)}$	[-]	1,25		
Steel failure with lever arm					
Characteristic bending resistance	$M_{Rk,S}^0$	[Nm]	22,1	44,1	77,3
Partial safety factor	$\gamma_{Ms}^{1)}$	[-]	1,25		
Concrete pry-out failure					
Factor in equation (5.6) of ETAG Annex C, § 5.2.3.3	k	[-]	1	1	2
Partial safety factor	$\gamma_{Mcp}^{1)}$	[-]	1,50	1,50	1,50
Concrete edge failure					
Effective length of anchor under shear loading	$h_{ef} = l_f$	[mm]	40	55	70
Outside diameter of anchor	d_{nom}	[mm]	8	10	12
Partial safety factor	$\gamma_{Mc}^{1)}$	-	1,50	1,50	1,50

¹⁾ In absence of other national regulations

Table 7: Displacements under shear loads

			M8	M10	M12
Shear load in non-cracked concrete C20/25 [kN]			5,1	8,1	11,8
Displacement ¹⁾	δ_{V0}	[mm]	0,9	0,9	1,0
	$\delta_{V\infty}$	[mm]	1,4	1,4	1,5

¹⁾ Displacement under shear loading: additional displacements due to through hole in the fixture shall be considered

DEWALT THROUGH BOLT PTB-SS-PRO

Annex 4

Design method A, characteristic values for shear loading,
Displacements