



## European Technical Approval ETA-13/0151

English translation prepared by DIBt - Original version in German language

Handelsbezeichnung  
*Trade name*

PEIKKO PSB Durchstanzbewehrung  
*PEIKKO PSB punching reinforcement*

Zulassungsinhaber  
*Holder of approval*

Peikko Group Oy  
Voimakatu 3  
15101 LAHTI  
FINNLAND

Zulassungsgegenstand  
und Verwendungszweck  
*Generic type and use  
of construction product*

Doppelkopfkanker als Durchstanzbewehrung  
*Double headed studs as punching reinforcement*

Geltungsdauer:  
*Validity:* vom  
from

30 May 2013

bis  
to

16 April 2018

Herstellwerke  
*Manufacturing plants*

No. 3

No. 4

Diese Zulassung umfasst  
*This Approval contains*

25 Seiten einschließlich 10 Anhänge  
*25 pages including 10 annexes*

Diese Zulassung ersetzt  
*This Approval replaces*

ETA-13/0151 mit Geltungsdauer vom 16.04.2013 bis 16.04.2018  
*ETA-13/0151 with validity from 16.04.2013 to 16.04.2018*

## I LEGAL BASES AND GENERAL CONDITIONS

- 1 This European technical approval is issued by Deutsches Institut für Bautechnik in accordance with:
  - Council Directive 89/106/EEC of 21 December 1988 on the approximation of laws, regulations and administrative provisions of Member States relating to construction products<sup>1</sup>, modified by Council Directive 93/68/EEC<sup>2</sup> and Regulation (EC) N° 1882/2003 of the European Parliament and of the Council<sup>3</sup>;
  - *Gesetz über das In-Verkehr-Bringen von und den freien Warenverkehr mit Bauprodukten zur Umsetzung der Richtlinie 89/106/EWG des Rates vom 21. Dezember 1988 zur Angleichung der Rechts- und Verwaltungsvorschriften der Mitgliedstaaten über Bauprodukte und anderer Rechtsakte der Europäischen Gemeinschaften (Bauproduktengesetz - BauPG) vom 28. April 1998<sup>4</sup>, as amended by Article 2 of the law of 8 November 2011<sup>5</sup>;*
  - Common Procedural Rules for Requesting, Preparing and the Granting of European technical approvals set out in the Annex to Commission Decision 94/23/EC<sup>6</sup>.
- 2 Deutsches Institut für Bautechnik is authorized to check whether the provisions of this European technical approval are met. Checking may take place in the manufacturing plant. Nevertheless, the responsibility for the conformity of the products to the European technical approval and for their fitness for the intended use remains with the holder of the European technical approval.
- 3 This European technical approval is not to be transferred to manufacturers or agents of manufacturers other than those indicated on page 1, or manufacturing plants other than those indicated on page 1 of this European technical approval.
- 4 This European technical approval may be withdrawn by Deutsches Institut für Bautechnik, in particular pursuant to information by the Commission according to Article 5(1) of Council Directive 89/106/EEC.
- 5 Reproduction of this European technical approval including transmission by electronic means shall be in full. However, partial reproduction can be made with the written consent of Deutsches Institut für Bautechnik. In this case partial reproduction has to be designated as such. Texts and drawings of advertising brochures shall not contradict or misuse the European technical approval.
- 6 The European technical approval is issued by the approval body in its official language. This version corresponds fully to the version circulated within EOTA. Translations into other languages have to be designated as such.

<sup>1</sup> Official Journal of the European Communities L 40, 11 February 1989, p. 12  
<sup>2</sup> Official Journal of the European Communities L 220, 30 August 1993, p. 1  
<sup>3</sup> Official Journal of the European Union L 284, 31 October 2003, p. 25  
<sup>4</sup> *Bundesgesetzblatt Teil I 1998*, p. 812  
<sup>5</sup> *Bundesgesetzblatt Teil I 2011*, p. 2178  
<sup>6</sup> Official Journal of the European Communities L 17, 20 January 1994, p. 34

## II SPECIFIC CONDITIONS OF THE EUROPEAN TECHNICAL APPROVAL

### 1 Definition of the PEIKKO PSB punching reinforcement and intended use

#### 1.1 Definition of the construction product

The PSB double headed studs with ribbed shafts are made of weldable ribbed reinforcement bars with nominal characteristic yield strength of 500 MPa. The mechanical properties of the steel used meet the requirement according to EN 1992-1-1, Annex C.

They have a head at both ends with a diameter of three times the shaft diameter.

The diameters of the shafts are 10, 12, 14, 16, 20 and 25 mm.

The studs are assembled to form reinforcement elements comprising at least two studs (s. figure 1). The studs are tack welded or clamped at one end to a non-structural steel rail or steel bars (reinforcing bars or round bars) for securing the position of the double headed studs when pouring the concrete. For use in semi-prefabricated slabs only, steel rails in connection with special plastic connectors (clip-on plastic connectors) are used to secure the placement during casting. All studs of one of those reinforcement element shall have the same diameter.

The bars used to secure the stud's position during casting (assembly profile) are made of weldable reinforcing steel or structural steel (smooth steel bars)  $d_s = 6 \text{ mm}$  to  $d_s = 10 \text{ mm}$  and the rails are made of structural steel with a thickness of  $t = 4 \text{ mm}$ . The material for the structural steel (bars or rails) shall be No. 1.0037, 10038 or 1.0045 acc. to EN 10025-2 or non-corrosive steel No. 1.4401, 1.4404, 1.4439, 1.4571 acc. to EN 10088-5. The material of the clip-on plastic connectors for use in semi-prefabricated slabs is specified within the technical documentation deposited with *Deutsches Institut für Bautechnik*.

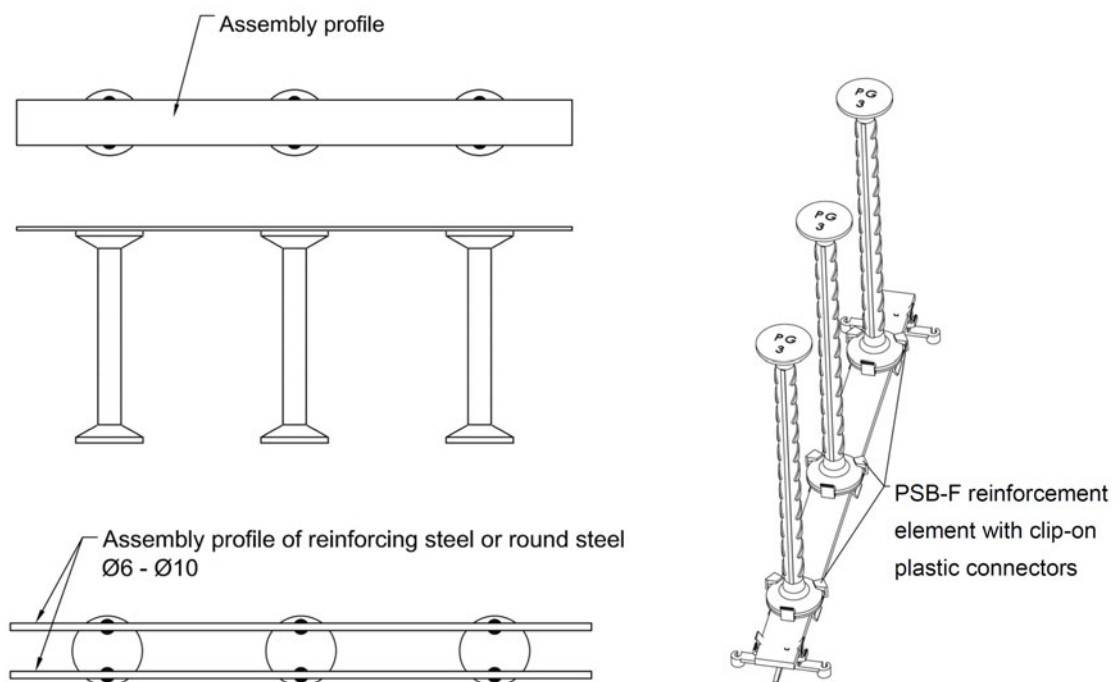


Figure 1: PSB double headed studs with assembly profiles welded to the heads or PSB-F reinforcement element with clip-on plastic connectors

## 1.2 Intended use

The studs are installed as shear reinforcement in reinforced concrete flat slabs on columns, ground slabs or in footings in order to increase the punching shear resistance of the slabs. They may also be used for the increase of the load-bearing capacity of the slabs subjected to high concentrated loads.

Double headed studs can also be used for semi-prefabricated slabs also in combination with lattice girders when the respective European technical approvals or national guidelines are observed. Double headed studs installed as shear reinforcement are also effective as interface reinforcement between precast and in-situ concrete.

Double headed studs may be used for predominantly static and non-predominantly static (fatigue) loading.

The concrete strength class according to EN 206-1:2000 of the slabs or footings shall be at least C20/25 and shall not exceed C50/60.

The slabs shall have a minimum height of  $h = 180$  mm.

All studs in the punching area around a column or concentrated load shall be of the same diameter. The arrangement pattern is given in clause 4.2 of the European technical approval.

The reinforcement element with double headed studs may be installed in an upright (rail at the bottom of the slab) or hanging position, but always perpendicular to the faces of the reinforced slab or footing.

Where no National Regulation for the design of slabs or footings reinforced with double headed studs exists, the design of slabs or footings reinforced with double headed studs shall be in accordance with Annexes 9 and 10 of the European technical approval.

The provisions made in this European technical approval are based on an assumed working life of the double headed studs of 50 to 100 years, provided that the conditions laid down in sections 4.2 and 5.1 for the installation, use and maintenance. The indications given on the working life cannot be interpreted as a guarantee given by the producer, but are to be regarded only as a means for choosing the right products in relation to the expected economically reasonable working life of the works.

## 2 Characteristics of the double headed studs and methods of verification

### 2.1 Characteristics of product

#### 2.1.1. Geometry

The essential geometrical properties of the product are given in the European technical approval in Annex 1.

#### 2.1.2 Mechanical strength

The double headed studs comply with the specifications and drawings given in the Annex 1.

The following conditions concerning the yield strength and the tensile strength of the PSB double headed studs are considered proven:

- $f_{yk} \geq 500$  MPa
- ratio  $(f_t/f_y)_k \geq 1.05$
- $\epsilon_{uk} \geq 2.5$  %

The material characteristics, dimensions and tolerances of the double headed studs not indicated in Annex 1 are given in the technical documentation<sup>7</sup> of the European technical approval.

### 2.1.3 Mounting of the studs

When installed correctly, the reinforcement elements have sufficient robustness to withstand usual actions before and during concreting.

In case the studs are intended for use in prefabricated slab elements there are no requirements in terms of aforementioned robustness if there are other possibilities to ensure a safe transport and positioning.

### 2.1.4 Robustness and Durability of the studs

The robustness and durability in service conditions under repeated loading of double headed studs, in terms of mechanical resistance, is considered proven.

### 2.1.5 Fatigue strength of the double headed studs

The fatigue strength of the double headed studs for non-predominantly static loading shall deal with the fatigue of the reinforcement steel only.

The double headed studs can be used for a stress range of  $\sigma_{Rs,k} = 70 \text{ N/mm}^2$  and  $N \leq 2 \times 10^6$  load cycles in analogy to EN 1992-1-1, clause 6.8.6 (1) and (2).

Table 6.3N of EN 1992-1-1 is not applicable to double headed studs.

As the value of the stress range lies within the scope where simplified verification methods are applicable (see EN 1992-1-1, Clause 6.8.6), an evaluation of the concrete fatigue strength is not deemed necessary.

### 2.1.6 Reaction to fire

The double headed studs are considered to satisfy the requirements for performance class A1 of the characteristic reaction to fire, in accordance with the provisions of EC Decision 96/603/EC (as amended) without the need for testing on the basis of its listing in that decision.

### 2.1.7 Resistance to fire

Fire resistance performance cannot be claimed for individual products (non-installed), but for the installed double headed studs cast-in slabs or footings.

### 2.1.8 Durability

Supporting evidence that corrosion will not occur is not required if the steel parts are protected against corrosion, as set out below:

No separate verifications are necessary for durability against environmental influences if:

- the double headed studs are protected by a minimum concrete cover according to the requirements given at the place of use,
- or the bars or steel rails (assembling profile) for securing the position of the studs are made of steel which has been hot-dip galvanized (coating  $\geq 50 \mu\text{m}$ ) and will be installed in concrete member under dry internal conditions and the stud heads have at least the minimum concrete cover according to the national provisions of the Member States,

<sup>7</sup> The technical documentation of the European technical approval is deposited with *Deutsches Institut für Bautechnik* and, as far as relevant for the tasks of the approved bodies involved in the attestation of conformity procedure, is handed over to the approved bodies.

- or the bars or steel rails (assembling profile) are made of suitable stainless steel (No. 1.4401, 1.4404, 1.4439, 1.4571) where they will be installed in slabs under dry internal conditions, in humid internal conditions, external environment, also in industrial environment or in marine environment proximity, if no particular aggressive conditions exist, and the stud heads have at least the minimum concrete cover according to the regulations and provisions at the place of use.

## 2.2 Methods of verification

### 2.2.1 General

The European technical approval is issued for the PSB double headed studs on the basis of agreed information, deposited with *Deutsches Institut für Bautechnik*, which identifies the double headed studs that has been assessed and evaluated. Changes to the production process, the dimensions, materials or the elements which could result in this deposited information being incorrect, shall be notified to *Deutsches Institut für Bautechnik* before the changes are introduced. *Deutsches Institut für Bautechnik* will decide whether or not such changes affect the European technical approval and consequently the validity of the CE marking on the basis of the European technical approval, and, if so, whether further assessment and/or alterations to the European technical approval shall be necessary.

### 2.2.2 Mechanical resistance and stability of the double headed studs

The assessment of the fitness of the double headed studs for the intended use with regard to the requirements of mechanical resistance and stability as well as safety in use in the sense of the Essential Requirements 1 and 4 was performed based on the following verifications:

1. Verification for tensile loads
  - yield strength  $f_{yk}$
  - elongation at maximum load  $\epsilon_{uk}$
  - ratio k  $(f_t/f_y)_k$
2. Verification of robustness (mounting of the studs)
  - Test which ensures that the reinforcement element (stud welded on the steel rail or at the assembling bar) withstand horizontal forces.
3. Verification for fatigue
  - Fatigue strength at  $N = 2 \times 10^6$  load cycles  $\Delta\sigma_{Rs,k}$

### 2.2.3 Punching shear resistance of slabs and footings with double headed studs

The assessment of the fitness of the double headed studs for the intended use with regard to the punching shear resistance of slabs in the sense of Essential Requirements 1 and 4 was performed based on the following verifications:

#### 1. Punching shear resistance at interior columns

Full scale tests were carried out to determine the maximum punching shear resistance  $V_{Rd,max}$ . The punching shear resistance for centric loading is calculated by means of the method described in the Annexes 9 and 10.

#### 2. Punching shear resistance at edge- and corner columns

For all edge and corner columns and asymmetrical systems, the load eccentricity is taken into account by means of a load-increase factor  $\beta$  on the design value of the applied load in accordance with the rules and regulations in EN 1992-1-1. The method using a reduced basic control perimeter according to EN 1992-1-1, 6.4.3 (4) and (5) is not applicable.

### 3. Punching shear resistance near openings

Openings near to columns in the punching area may decrease the punching shear resistance of the slab. Design shall be carried out according to EN 1992-1-1 6.4.2 (3).

### 4. Punching shear resistance of footings

Full scale tests were carried out to determine the maximum punching shear resistance  $V_{Rd,max}$ . The punching shear resistance for centric loading is calculated by means of the method described in the Annexes 9 and 10.

## 2.2.4 Safety in case of fire

### 2.2.4.1 Reaction to fire

The double headed studs are considered to satisfy the requirements for performance class A1 of the characteristic reaction to fire, in accordance with the provisions of EC Decision 96/603/EC (as amended) without the need for testing on the basis of its listing in that decision.

### 2.2.4.2 Resistance to fire

The assessment of slab or footing reinforced with the double headed studs that is required to provide a specific fire resistance class, may be determined for concrete failure by reference to EN 1992-1-2, as it may be assumed that the temperature distribution within the slab is comparable or at least no more unfavourable than in a slab or footing reinforced with stirrups as shear or punching shear reinforcement.

The concrete cover required by EN 1992-1-2 for verifying the resistance shall be measured from the surface of the slab to the outer face of the stud head or - in case of studs with steel rails - to the outer face of the steel rail.

## 3 Evaluation and attestation of conformity and CE marking

### 3.1 System of attestation of conformity

According to the communication of the European Commission<sup>8</sup> system 1+ of the attestation of conformity applies.

This system of attestation of conformity is defined as follows:

System 1+: Certification of the conformity of the product by an approved certification body on the basis of:

- (a) Tasks for the manufacturer:
  - (1) factory production control;
  - (2) further testing of samples taken at the factory by the manufacturer in accordance with a prescribed test plan;
- (b) Tasks for the approved body:
  - (3) initial type-testing of the product;
  - (4) initial inspection of factory and of factory production control;
  - (5) continuous surveillance, assessment and approval of factory production control;
  - (6) audit-testing of samples taken at the factory.

Note: Approved bodies are also referred to as "notified bodies".

<sup>8</sup> Letter of the European Commission of 4 October 1999 to EOTA.

## 3.2 Responsibilities

### 3.2.1 Tasks for the manufacturer

#### 3.2.1.1 Factory production control

The manufacturer shall exercise permanent internal control of production. All the elements, requirements and provisions adopted by the manufacturer shall be documented in a systematic manner in the form of written policies and procedures, including records of results performed. This production control system shall ensure that the product is in conformity with this European technical approval.

The manufacturer may only use initial materials stated in the technical documentation of this European technical approval.

The factory production control shall be in accordance with the control plan which is part of the technical documentation of this European technical approval. The control plan is laid down in the context of the factory production control system operated by the manufacturer and deposited with *Deutsches Institut für Bautechnik*.<sup>9</sup>

The results of factory production control shall be recorded and evaluated in accordance with the provisions of the control plan.

#### 3.2.1.2 Other tasks for the manufacturer

The manufacturer shall, on the basis of a contract, involve a body which is approved for the tasks referred to in section 3.1 in the field of double headed studs in order to undertake the actions laid down in section 3.2.2. For this purpose, the control plan referred to in sections 3.2.1.1 and 3.2.2 shall be handed over by the manufacturer to the approved body involved.

### 3.2.2 Tasks for the approved bodies

The approved body shall perform the

- initial type-testing of the product,
- initial inspection of factory and of factory production control,
- continuous surveillance, assessment and approval of factory production control,
- audit-testing of samples taken at the factory

in accordance with the provisions laid down in the control plan.

The approved body shall retain the essential points of its actions referred to above and state the results obtained and conclusions drawn in a written report.

The approved certification body involved by the manufacturer shall issue an EC certificate of conformity of the product stating the conformity with the provisions of this European technical approval.

In cases where the provisions of the European technical approval and its control plan are no longer fulfilled the certification body shall withdraw the certificate of conformity and inform *Deutsches Institut für Bautechnik* without delay.

<sup>9</sup> The control plan is a confidential part of the European technical approval and only handed over to the approved body involved in the procedure of attestation of conformity. See section 3.2.2.



### 3.3 CE marking

The CE marking shall be affixed on a small label which is fixed at each reinforcement element (double headed studs welded on steel rail or reinforcement bar) or on the accompanying commercial document. The letters "CE" shall be followed by the identification number of the approved certification body, where relevant, and be accompanied by the following additional information:

- the name and address of the producer (legal entity responsible for the manufacture),
- the last two digits of the year in which the CE marking was affixed,
- the number of the EC certificate of conformity for the product,
- the number of the European technical approval,
- characteristic yield strength  $f_{y,k}$  of the studs,
- fatigue strength of the stud (allowable stress range).

## 4 Assumptions under which the fitness of the product for the intended use was favourably assessed

### 4.1 Manufacturing

The European technical approval is issued for the product on the basis of agreed data/information, deposited with *Deutsches Institut für Bautechnik*, which identifies the product that has been assessed and judged. Changes to the product or production process, which could result in this deposited data/information being incorrect, should be notified to *Deutsches Institut für Bautechnik* before the changes are introduced. *Deutsches Institut für Bautechnik* will decide whether or not such changes affect the approval and consequently the validity of the CE marking on the basis of the approval and if so whether further assessment or alterations to the approval shall be necessary.

### 4.2 Design requirements

The fitness of the double headed studs for the intended use is given under the following condition:

Where no National Regulation for the design of slabs or footings reinforced with double headed studs exists, the design of the double headed studs is based on EN 1992-1-1 and on Annexes 9 and 10 of this European technical approval for predominantly static load, non-predominantly static load or for fatigue.

The concrete strength class shall not be less than C20/25 and shall not exceed C50/60 according to EN 206-1:2000.

The slabs shall have a minimum height of  $h = 180$  mm.

It is assumed that

- The lower reinforcement of the slab is laid over the column according to the indication in EN 1992-1-1.
- The upper reinforcement of the slab is placed continuously over the loaded area.
- The load-bearing capacity of the column below the shear reinforcement as well as the local compressive stress at the joint between slab and column are each verified individually and by taking into account of national provisions and guidelines.

- The load-bearing capacity of the concrete slab outside the punching shear reinforced area is verified separately and in accordance with the relevant national provisions.
- The bending resistance of the entire slab is verified in accordance with the relevant national provisions.
- In case of cast in-situ slabs, the punching shear reinforced area is poured monolithically with the slab. In case of semi-prefabricated slabs, when the final concrete is cast on-site, one head of the double headed studs shall be cast in the prefabricated slab.
- The flexural reinforcement over the column has to be anchored outside the outer control perimeter  $u_{out}$ .

The favourable effect of normal compressive stresses on the maximum punching shear resistance shall not be taken into account for slabs with double headed studs as punching shear reinforcement. If inclined pre-stressed tendons cross the punching zone, a negative influence shall be considered, while a positive influence may be considered.

The position, the type, the size and the length of the double headed studs shall be indicated on the design drawings. The material of the double headed studs is given additionally on the drawings.

The double headed studs shall be positioned in the following way:

#### Flat slabs:

On each stud on a radius, the stud nearest to the column face or loaded area shall be placed at a radial distance between  $0.35 d$  and  $0.5 d$ , the second stud within  $1.125 d$  from the column face nor loaded area. The area within  $1.125 d$  from the column face is designated area C. The tangential distance of the studs shall not exceed  $1.7 d$  within  $1.00 d$  from the column face. The maximum distance between studs shall not exceed  $0.75 d$  in the radial direction.

For flat slabs with both  $d > 50$  cm and the diameter of the column  $c < 50$  cm, at least three studs shall be arranged in area C in case that  $V_{Ed} > 0.85 V_{Rd,max}$ .

Outside the area C, the maximum tangential distance is  $3.5 d$ . The number of punching reinforcement elements in the area D may be increased in comparison to area C to fulfil this requirement. If the number of elements is increased, additional elements shall be placed radially to the column between the existing elements.

In the area D the radial distance between the studs shall not exceed  $0.75 d$ . In thick slabs, where three or more headed studs are arranged per rail in area C, the radial distance of the double headed studs in area D shall be reduced according to the following equation:

$$s_{w,D} = \frac{3 \cdot d \cdot m_D}{2 \cdot n_C \cdot m_C} \leq 0.75 \cdot d$$

$m_C$ : number of elements (rows) in area C

$m_D$ : number of elements (rows) in area D

$n_C$ : number of studs of each element (row) in area C

For double headed studs placed next to free slab edges and recesses, a transverse reinforcement shall be provided to control the transverse tensile forces.

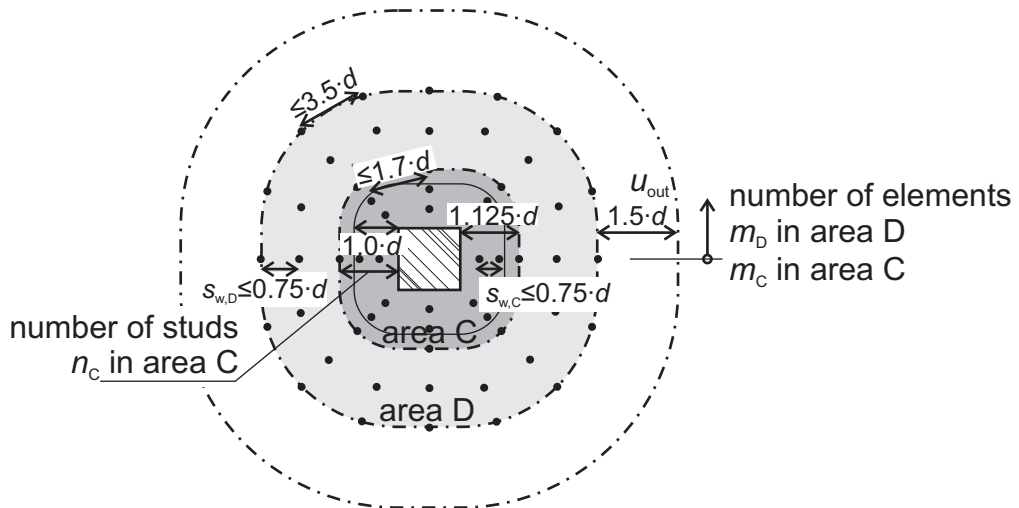


Figure 2: Maximum allowed spacing of studs in area C and D of flat slabs

**Footings:**

For footings, the first row of studs shall be placed at a distance of  $0.3 d$  and the second row in a range up to  $0.8 d$  from the column face.

Where outside  $0.8 d$  further rows of double headed studs are required, the radial distance in compact footings with a small shear span-depth ratio of  $a_\lambda/d \leq 2.0$  is limited to  $0.5 d$  ( $a_\lambda$  according to Fig. 3). For slender footings ( $a_\lambda/d > 2.0$ ) the radial distance outside of  $0.8 d$  can be increased to  $0.75 d$ . The double headed studs are evenly distributed along the circular sections and the maximum tangential distance may not exceed  $2.0 d$ .

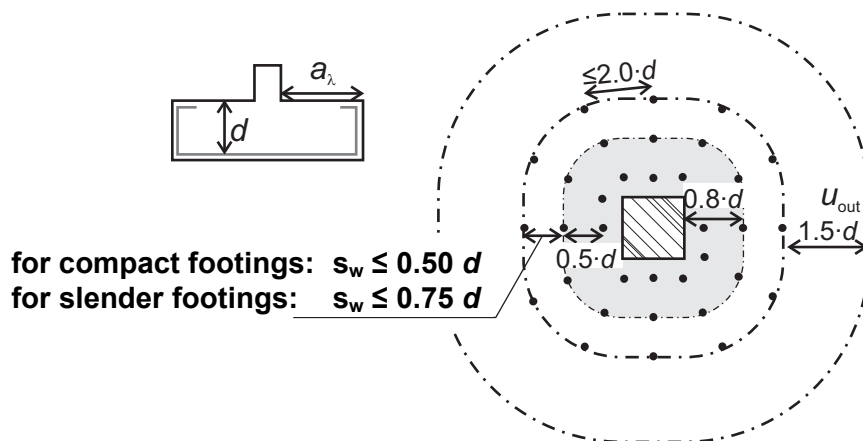


Figure 3: Maximum allowed spacing of studs in slender and compact footings

#### 4.3 Installation

The fitness for use of the double headed studs can only be assumed if the following installation conditions are observed:

The reinforcement elements shall be positioned in such a way that the double headed studs are perpendicular to the slab surface and are directed in the radial direction towards the column and distributed evenly in the critical punching area.

The upper heads of the studs need to extend at least to include the uppermost layer of the flexural reinforcement, the lower heads of the studs need to extend at least to include the lower layer of the flexural reinforcement. The concrete cover according to national regulations shall be ensured. In a punching area around any column or area of concentrated load, only studs with the same diameter may be used.

If the precast elements need to be joined in the punching area, the recess between the prefabricated elements shall be at least 40 mm wide and has to be meticulously filled with concrete on-site.

#### 5 Indications to the manufacturer

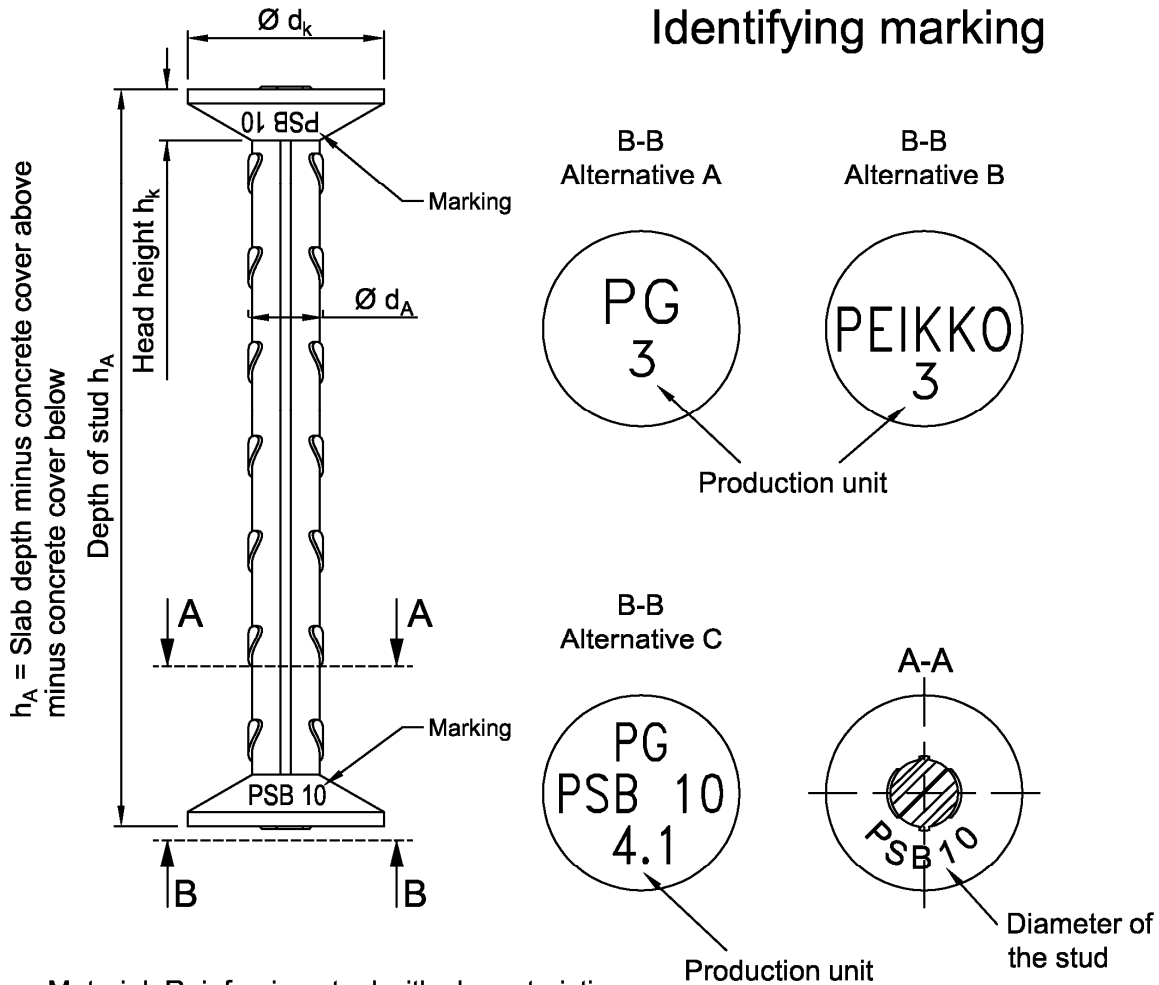
##### 5.1 Packaging, transport and storage

Special considerations shall be given to the transportation of the prefabricated elements to avoid any damage to the anchorage of the headed studs in the precast concrete slab (see Annex 8).

Uwe Bender  
Head of Department

*beglaubigt:*  
Dr.-Ing. Rosenbusch

### Identifying marking



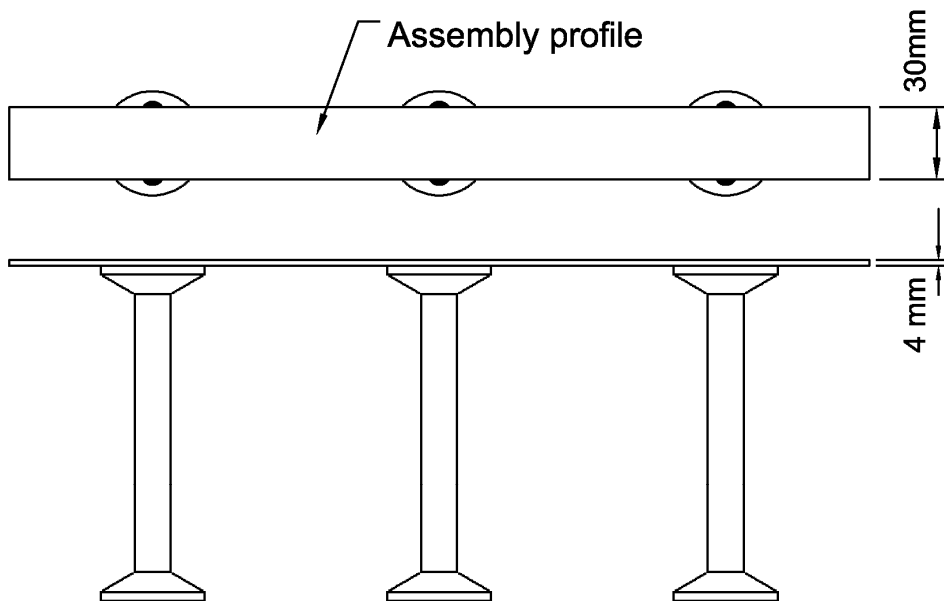
Material: Reinforcing steel with characteristic yield strength  $f_{yk} \geq 500$  MPa acc. to EN 1992-1-1 Annex C and data sheet deposited at DIBt

Diameter of the stud	Diameter of the head	Head thickness	Section of the stud	Characteristic value of yield strength	Characteristic value of tensile strength of the stud
$d_A$	$d_k$	$h_k$	A	$f_{yk}$	$F_k = A \cdot f_{yk}$
[mm]	[mm]	[mm]	[mm <sup>2</sup> ]	[MPa]	[kN]
10	30	5	79	500	39,3
12	36	6	113		56,5
14	42	7	154		77,0
16	48	7	201		100,5
20	60	9	314		157,1
25	75	12	491		245,4

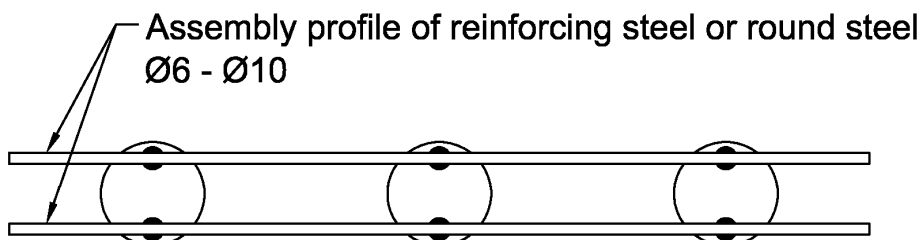
PEIKKO PSB punching reinforcement

Double headed studs  
Dimensions and characteristic value of tensile strength

Annex 1



Material: S235JR = 1.0038 (EN 10025-2:2004)



Material:

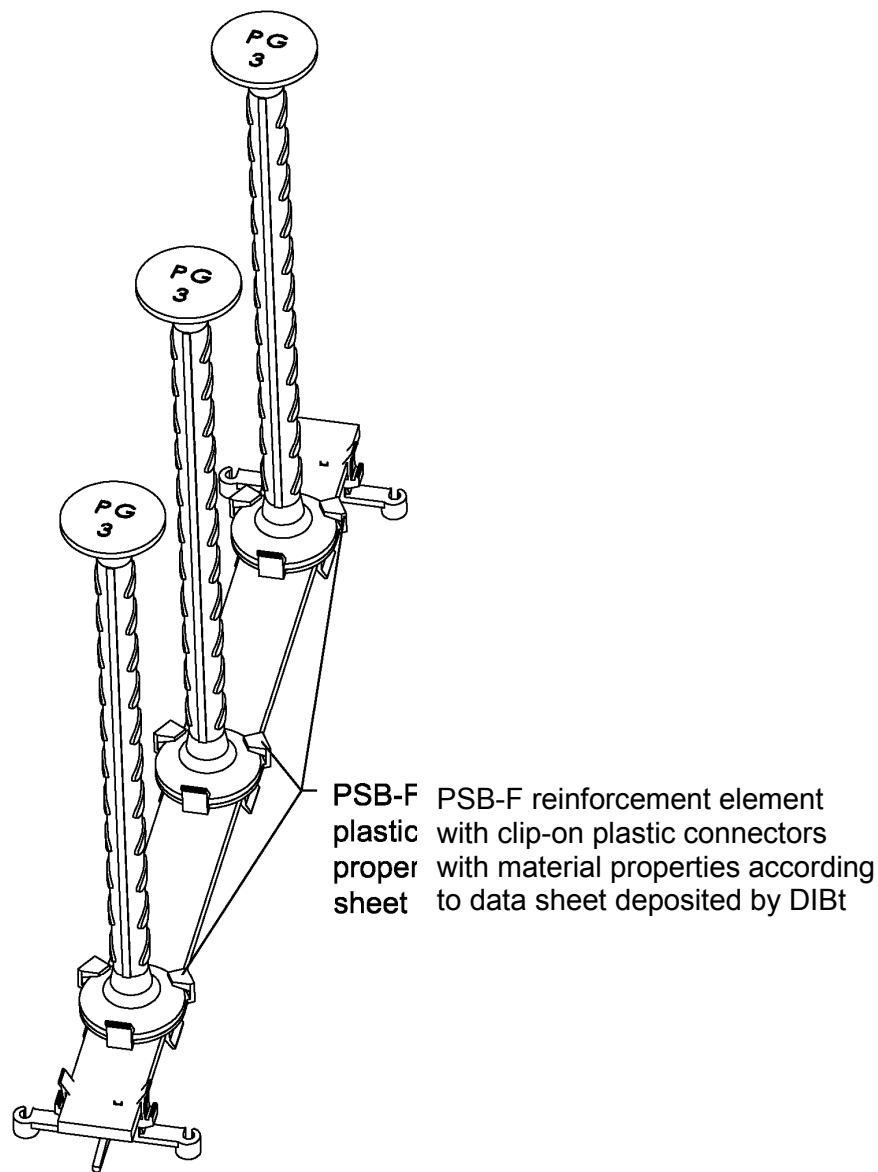
Reinf. steel: Reinforcing steel with characteristic yield strength  $f_{yk} \geq 500$  MPa acc. to EN 1992-1-1 Annex C and data sheet deposited at DIBt

Round steel: S235 JR (EN 10025-2:2004)  
A4 = 1.4571/1.4401/1.4404 (EN 10088-5:2009)

PEIKKO PSB punching reinforcement

Assembly profile

Annex 2

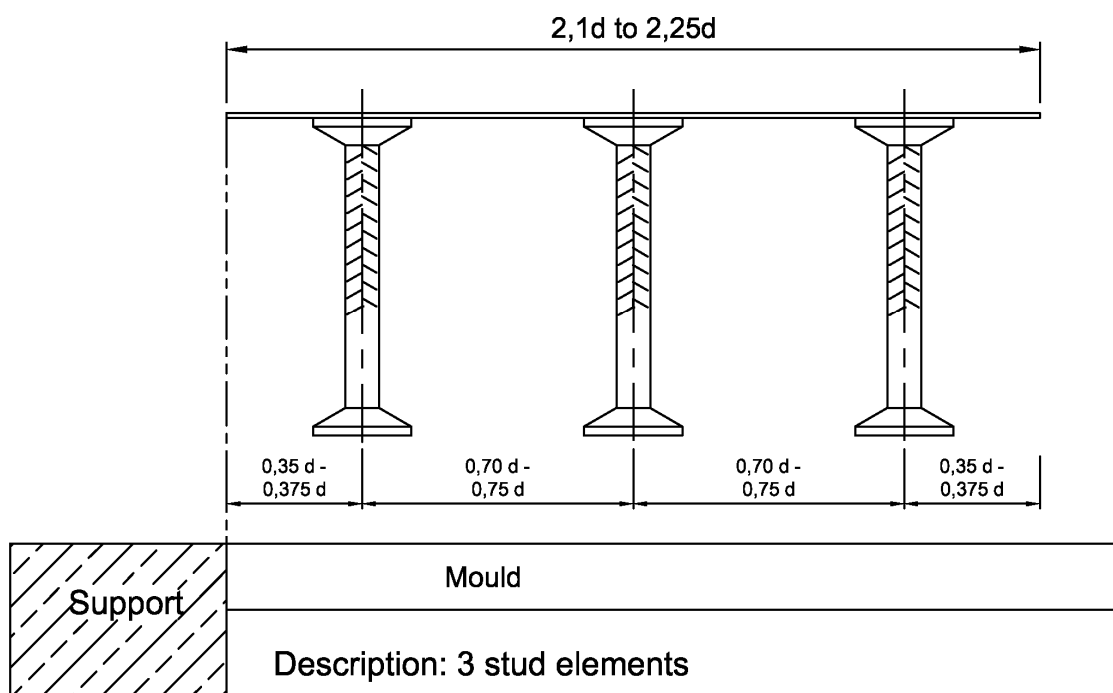
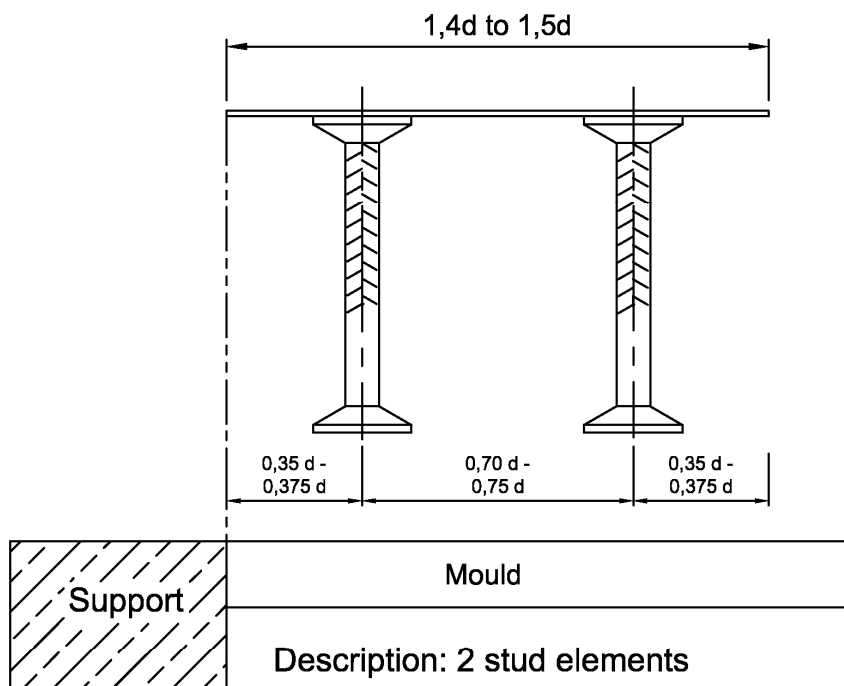


Electronic copy of the ETA by DIBt: ETA-13/0151

PEIKKO PSB punching reinforcement

PSB-F reinforcement element with clip-on plastic connectors for precast elements

Annex 3

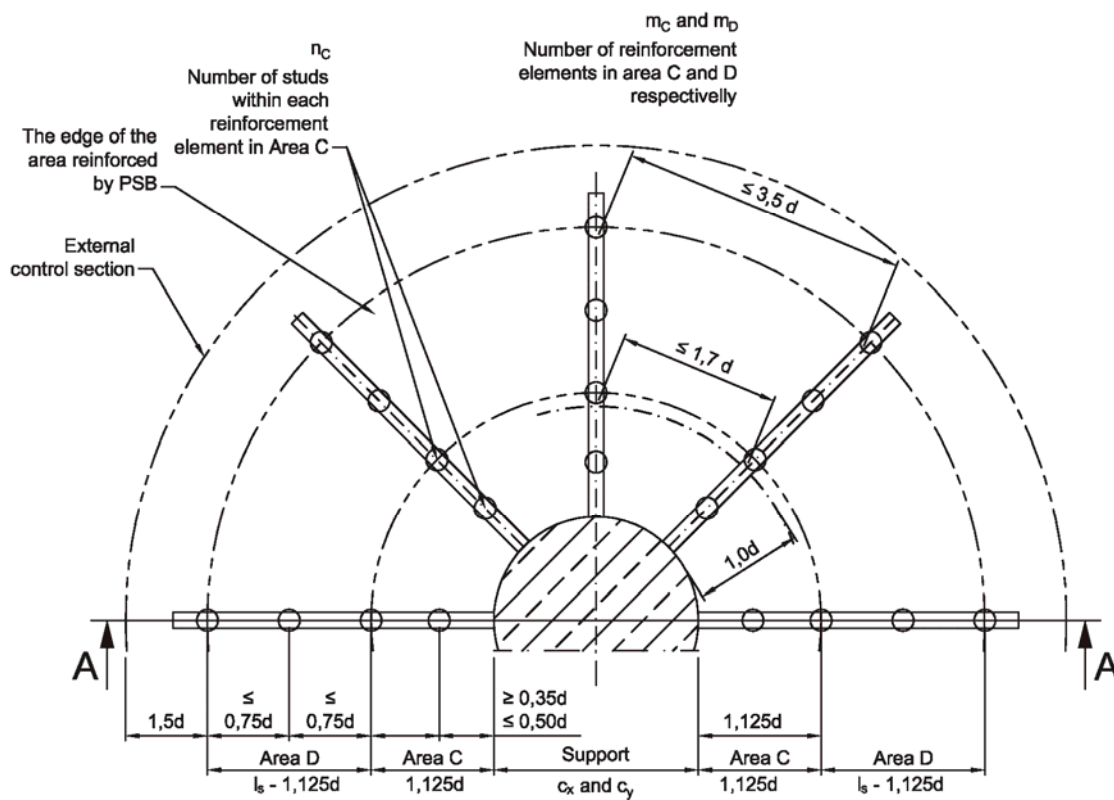


PEIKKO PSB punching reinforcement

PSB standard elements

Annex 4



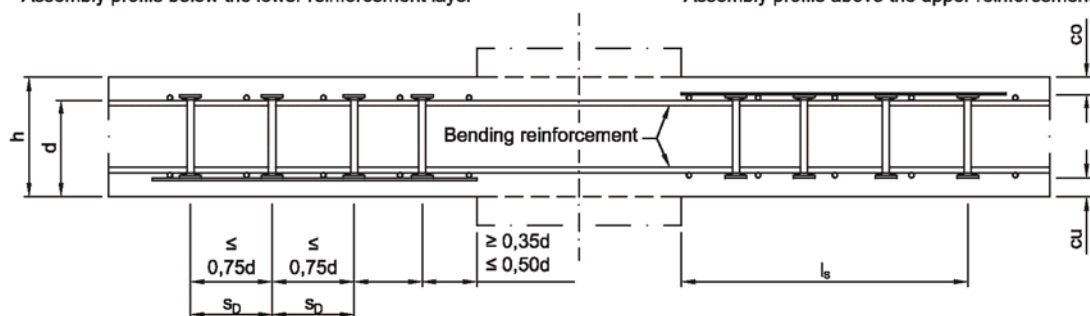


Cross section A-A  
"Bottom installation"

Assembly profile below the lower reinforcement layer

Cross section A-A  
"Top installation"

Assembly profile above the upper reinforcement layer



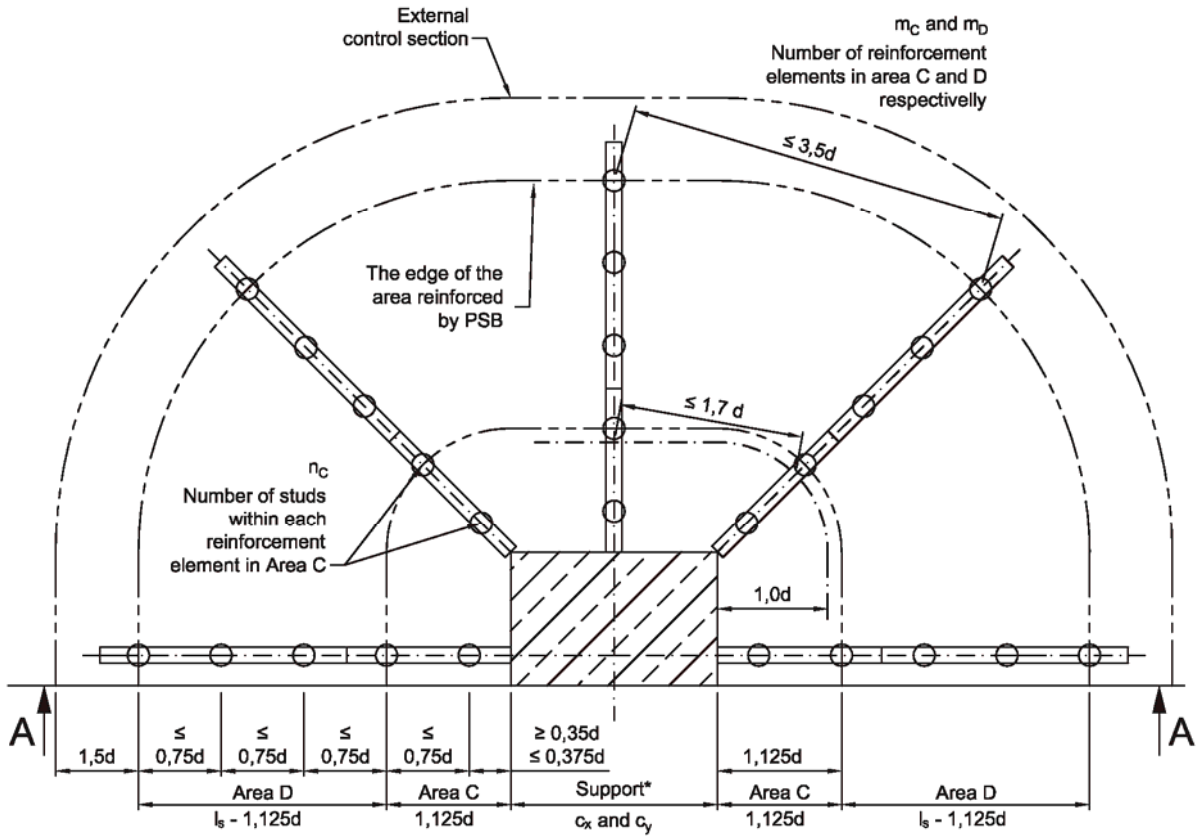
Concrete cover  $c_o$  and  $c_u$  according to EN 1992-1-1:2004, Section 4

Electronic copy of the ETA by DIBt: ETA-13/0151

PEIKKO PSB punching reinforcement

Arrangement of continuous elements

Annex 5



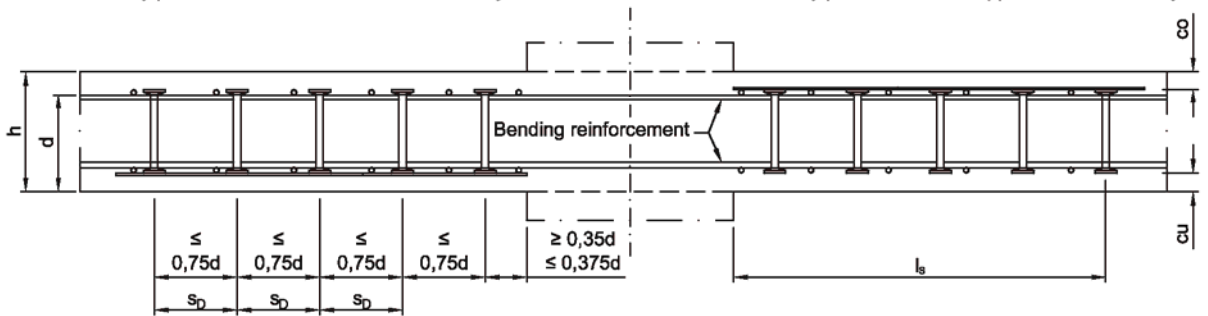
\* Combination of 2 and 3 standard elements analogous with round columns

**Cross section A-A**  
"Bottom installation"

Assembly profile below the lower reinforcement layer

**Cross section A-A**  
"Top installation"

Assembly profile above the upper reinforcement layer



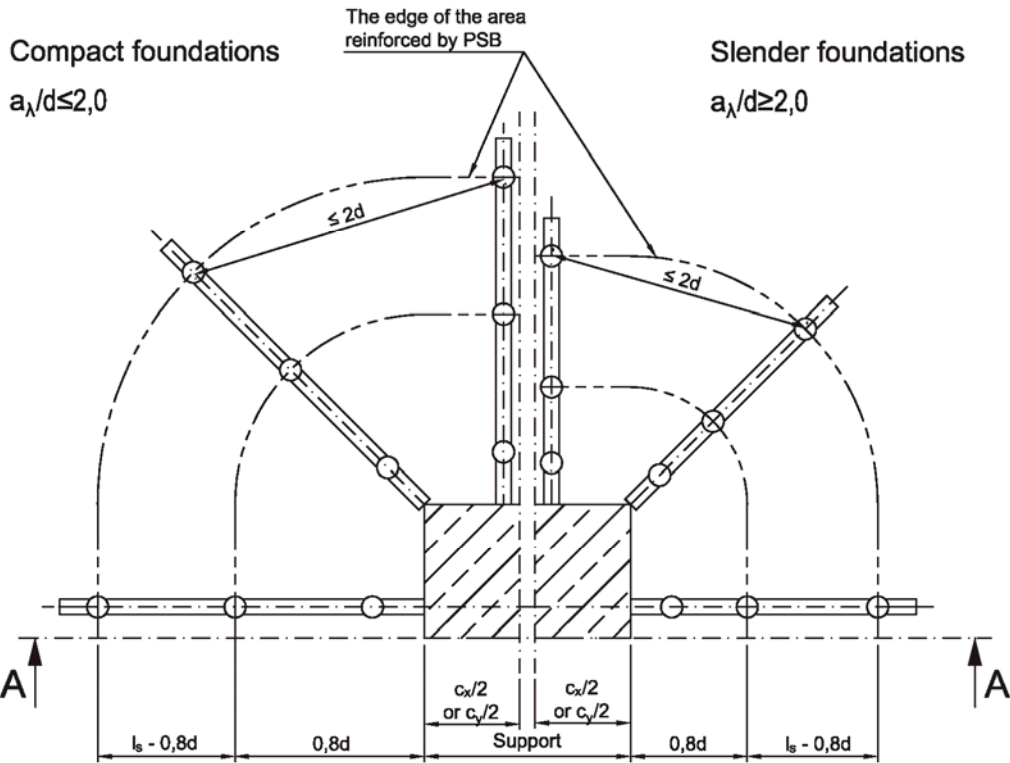
Concrete cover  $c_o$  and  $c_u$  according to EN 1992-1-1:2004, Section 4

Electronic copy of the ETA by DIBt: ETA-13/0151

PEIKKO PSB punching reinforcement

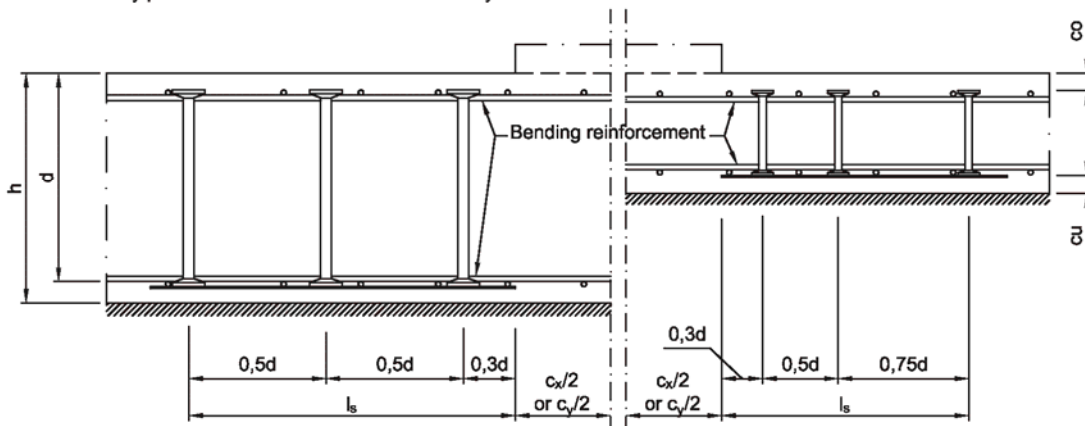
Arrangement of standard elements

Annex 6



**Cross section A-A**  
**"Bottom installation"**

Assembly profile below the lower reinforcement layer



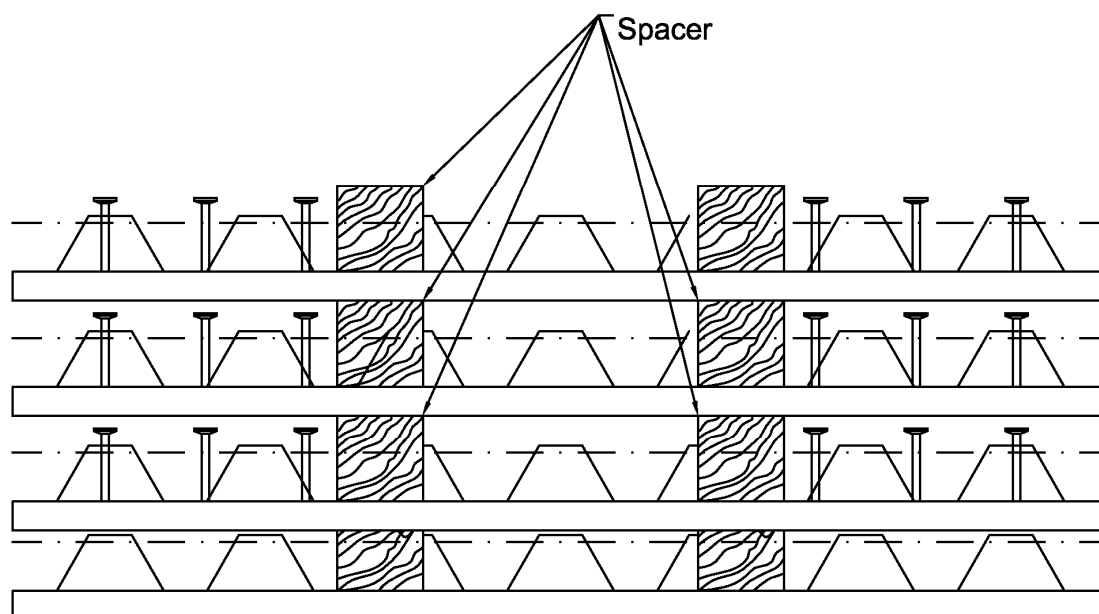
Concrete cover  $c_o$  and  $c_u$  according to EN 1992-1-1:2004, Section 4

PEIKKO PSB punching reinforcement

Arrangement in footings and ground slabs

Annex 7

## Examples of storage and transport of precast elements with PEIKKO PSB studs



Electronic copy of the ETA by DIBt: ETA-13/0151

PEIKKO PSB punching reinforcement

Storage and transport

Annex 8

## DETERMINATION OF PUNCHING SHEAR RESISTANCE

The verification of the punching shear resistance at ultimate limit state is performed as follows:

The ultimate limit state of punching shear shall be assessed in control perimeters. The slab shall be designed to resist a minimum of bending moments according to national guidelines. Outside the control perimeter the verification of the ultimate limit state design for shear and bending shall be carried out according to national guidelines.

To determine the punching shear resistance, an inner critical perimeter  $u_1$  perpendicular to the flat slab surface at a distance  $2.0 d$  ( $d$  = effective depth of the slab) around the column and an outer control perimeter  $u_{out}$  at a distance of  $1.5 d$  from the outermost row of the punching shear reinforcement are considered. For footings, the distance to the critical perimeter has to be calculated with an iterative method.

The critical perimeter may be determined as stated above for columns with a perimeter  $u_0$  less than  $12 d$  and a ratio of the longer column side to the shorter column side not greater than 2.0. If these conditions are not fulfilled, the shear forces are concentrated along the corners of the column and the critical perimeter has to be reduced.

For irregular shaped columns the perimeter  $u_0$  is the shortest length around the loaded area. The critical perimeters  $u_1$  shall be determined according to EN 1992-1-1, 6.4.2.

In a first step, the design value of the shear stress  $v_{Ed}$  along the critical control perimeter  $u_1$  is calculated:

$$v_{Ed} = \frac{\beta \cdot V_{Ed}}{u_1 \cdot d} \quad (A1)$$

$v_{Ed}$  shear stress calculated along the critical perimeter

$\beta$  coefficient taking into account the effects of load eccentricity.

$V_{Ed}$  design value of the applied shear force

$u_1$  perimeter of the critical section with a distance of  $2.0 d$  from the column face

For structures where the lateral stability does not depend on frame action between the slabs and the columns, and where the adjacent spans do not differ in length by more than 25 %, approximate values for  $\beta$  may be used:

interior columns	$\beta = 1.10$	
edge columns	$\beta = 1.40$	
corner columns	$\beta = 1.50$	(A2)
corner of wall	$\beta = 1.20$	
end of wall	$\beta = 1.35$	

Alternatively, the more detailed calculation according to EN 1992-1-1 (6.39) can be used to determine the factor  $\beta$ , but the method with the reduced basic control perimeter is not applicable.

PEIKKO PSB punching reinforcement

Determination of punching shear resistance

Annex 9  
Page 1/3

In flat slabs, where the total shear force is greater than the resistance of the slab without punching reinforcement according to equation (A3) punching shear reinforcement is necessary:

$$V_{Rd,c} = C_{Rd,c} \cdot k \cdot (100 \cdot \rho_l \cdot f_{ck})^{1/3} + k_1 \cdot \sigma_{cp} \geq (v_{min} + k_1 \cdot \sigma_{cp}) \quad (A3)$$

$C_{Rd,c}$  empirical factor, the recommended value is  $C_{Rd,c} = 0.18/\gamma_c$

$\gamma_c$  partial safety factor for concrete ( $\gamma_c = 1.5$ )

$k$  coefficient for taking into account size effects,  $d$  in [mm]

$$k = 1 + \sqrt{\frac{200}{d}} \leq 2.0$$

$\rho_l$  mean reinforcement ratio of the y- and z-directions

$$\rho_l = \sqrt{\rho_{lz} \cdot \rho_{ly}} \leq \begin{cases} 2.0 \\ 0.5 \cdot f_{cd} / f_{yd} \end{cases}$$

$f_{cd}$  design value of cylinder concrete strength

$f_{yd}$  design value of yield stress of the reinforcing steel

$k_1$  empirical factor, the recommended value is  $k_1 = 0.1$

$\sigma_{cp}$  normal concrete stresses in the critical section

$v_{min}$   $(0.0525/\gamma_c) \cdot k^{3/2} \cdot f_{ck}^{1/2}$  for  $d \leq 600$  mm

$(0.0375/\gamma_c) \cdot k^{3/2} \cdot f_{ck}^{1/2}$  for  $d > 800$  mm, intermediate depths are linearly interpolated

In case of small ratios of the column perimeter to the effective depth ( $u_0/d$ ), the punching shear resistance has to be reduced.

$$u_0/d < 4,0 : \quad C_{Rd,c} = \frac{0,18}{\gamma_c} \left( 0,1 \frac{u_0}{d} + 0,6 \right) \geq \frac{0,15}{\gamma_c}$$

If punching shear reinforcement is necessary, an adequate amount of punching reinforcement elements has to be placed in the slab. The length of the control perimeter  $u_{out}$  at which shear reinforcement is not required shall be calculated using the following expression:

$$u_{out} = \frac{\beta_{red} \cdot V_{Ed}}{V_{Rd,c} \cdot d} \quad (A4)$$

$\beta_{red}$  reduced factor for taking into account the effects of eccentricity in perimeter  $u_{out}$

$V_{Rd,c}$  design punching shear resistance without punching reinforcement according to expression (A3),

$C_{Rd,c}$  can be taken from the national guidelines for members not requiring design shear reinforcement (EN 1992-1-1, 6.2.2(1)), the recommended value is  $0.15/\gamma_c$

PEIKKO PSB punching reinforcement

Determination of punching shear resistance

Annex 9  
Page 2/3

For the calculation of the shear resistance along the outer perimeter ( $u_{out}$ ) of edge and corner columns, a reduced factor  $\beta_{red}$  in combination with equation (A4) can be used:

$$\beta_{red} = \kappa_{\beta} \cdot \beta \geq 1.10 \quad (A5)$$

edge columns 
$$\kappa_{\beta} = \frac{1}{1.2 + \beta / 20 \cdot l_s / d}$$

corner columns 
$$\kappa_{\beta} = \frac{1}{1.2 + \beta / 15 \cdot l_s / d}$$

corner of wall 
$$\kappa_{\beta} = 1.0$$

end of wall 
$$\kappa_{\beta} = 1.0$$

$l_s$ : distance between the face of the column and the outermost stud

The punching shear resistance  $v_{Rd,c}$  for footings and ground slabs is defined according to the following equation:

$$v_{Rd,c} = \frac{C_{Rk,c}}{\gamma_C} \cdot k \cdot (100 \cdot \rho_l \cdot f_{ck})^{1/3} \cdot \frac{2 \cdot d}{a} \quad (A6)$$

$C_{Rk,c}$  0.15 for footings with  $a_{\lambda}/d \leq 2.0$   
0.18 for slender footings and ground slabs

$a$  the distance from the face of the column to the control perimeter considered

## PUNCHING DESIGN OF FLAT SLABS AND FOR FOOTINGS AND GROUND SLABS

### Slabs

It has to be distinguished between area C (adjacent to the column) and the area D (further than  $1.125 \cdot d$  from the column face). The double headed studs in the area C shall be dimensioned according to the following equation:

$$\beta \cdot V_{Ed} \leq V_{Rd,sy} = m_C \cdot n_C \cdot \frac{d_A^2 \cdot \pi \cdot f_{yk}}{4 \cdot \gamma_s \cdot \eta} \quad (A7)$$

- $m_C$  number of elements (rows) in the area C
- $n_C$  number of studs of each element (row) in the area C
- $d_A$  shaft diameter of the double headed stud
- $f_{yk}$  characteristic value of yield strength of the stud
- $\gamma_s$  partial safety factor for steel ( $\gamma_s = 1.15$ )
- $\eta$  factor to take into account the effective depth, interim values have to be interpolated:

$$\eta = \begin{cases} = 1.0 & \text{for } d \leq 200 \text{ mm} \\ = 1.6 & \text{for } d \geq 800 \text{ mm} \end{cases}$$

For flat slabs with both  $d > 50$  cm and the diameter of the column  $c < 50$  cm, at least three studs shall be arranged in area C in case that  $V_{Ed} > 0.85 V_{Rd,max}$ .

In the area D, the dimensioning of the studs is governed by the rules for positioning of the studs as given in clause 4.3.

The maximum punching shear resistance in the critical perimeter  $u_1$  is defined as a multiple value of the resistance of the slab without shear reinforcement according to expression (A8):

$$V_{Rd,max} = 1.96 \cdot V_{Rd,c} \quad (\text{flat slabs}) \quad (A8)$$

$V_{Rd,c}$  is the calculated design value of the punching shear resistance according to (A3), taking into account the relevant partial safety factors for material properties.

The favourable effect of normal compressive stresses on the maximum punching shear resistance  $V_{Rd,max}$  of the slab according to Eq. (A8) may not be included. If inclined pre-stressed tendons influence the punching shear resistance negatively, the effect shall be included with the maximum value of the negative influence when dimensioning the studs. If inclined pre-stressed tendons increase the punching shear resistance, they have to be effective in both area C and area D.

PEIKKO PSB punching reinforcement

Punching design of flat slabs and for footings and ground slabs

Annex 10  
Page 1/2



### Footings and ground slabs

In footings, the amount of double headed studs shall be dimensioned according to the following equation:

$$V_{Ed,red} \leq V_{Rd,s} = f_{yd} \times A_{sw,0.8d} \quad (A9)$$

where  $V_{Ed,red} = V_{Ed} - V_{Ed} \cdot \frac{A_{crit}}{A}$

$f_{yd}$  design value of the yield strength of the double headed studs

$A_{sw,0.8d}$  cross section of punching reinforcement in a distance between  $0.3 \cdot d$  and  $0.8 \cdot d$  from the column face

$A_{crit}$  area within the critical perimeter  $u$  in the iteratively determined distance  $a$  from the column face

$A$  area of the footing; for ground slabs the area within the line of contraflexure for the bending moment in radial direction

If outside of  $0.8 d$  further rows of studs are necessary, the required cross section may be determined as a shear reinforcement for 33 % of the design shear force taking into account the reduction by the soil pressure within the outermost row of double headed studs.

The maximum punching shear resistance along the critical perimeter  $u_{crit}$  is defined as a multiple value of the resistance of the footing without shear reinforcement:

$$V_{Rd,max} = 1.62 \cdot V_{Rd,c} \quad (\text{Footings and ground slabs}) \quad (A10)$$

$V_{Rd,c}$  is the calculated punching shear resistance (A6), taking into account the relevant partial safety factors for material properties.

PEIKKO PSB punching reinforcement	Annex 10 Page 2/2
Punching design of flat slabs and for footings and ground slabs	