

Approval body for construction products
and types of construction

Bautechnisches Prüfamt

An institution established by the Federal and
Laender Governments



European Technical Assessment

ETA-12/0032
of 8 January 2014

General Part

Technical Assessment Body issuing the
European Technical Assessment:

Deutsches Institut für Bautechnik

Trade name of the construction product

CAPATECT Type 041

Product family
to which the construction product belongs

Nailed-in plastic anchor for fixing of external thermal
insulation composite systems with rendering in concrete
and masonry

Manufacturer

DAW SE
Roßdörfer Straße 50
64372 Ober-Ramstadt
DEUTSCHLAND

Manufacturing plant

DAW Herstellwerk 10183

This European Technical Assessment
contains

13 pages including 9 annexes which form an integral
part of this assessment

This European Technical Assessment is
issued in accordance with Regulation (EU)
No 305/2011, on the basis of

Guideline for European technical approval of "Plastic
anchors for fixing of external thermal insulation
composite systems with rendering", ETAG 014, Edition
February 2011 used as European Assessment
Document (EAD) according to Article 66 Paragraph 3 of
Regulation (EU) No 305/2011.

The European Technical Assessment is issued by the Technical Assessment Body in its official language. Translations of this European Technical Assessment in other languages shall fully correspond to the original issued document and shall be identified as such.

Communication of this European Technical Assessment, including transmission by electronic means, shall be in full. However, partial reproduction may only be made with the written consent of the issuing Technical Assessment Body. Any partial reproduction has to be identified as such.

This European Technical Assessment may be withdrawn by the issuing Technical Assessment Body, in particular pursuant to information by the Commission according to Article 25 Paragraph 3 of Regulation (EU) No 305/2011.

SPECIFIC PART

1 Technical description of the product

The nailed-in anchor CAPATECT Type 041 consists of an anchor sleeve with an enlarged shaft spreading zone subsequently, an insulation plate made of polyethylene, an accompanying specific nail of galvanised steel with a mounting plug made of polyamide or an overmoulding of polyamide. The serrated expanding part of the anchor sleeve is slotted.

The anchor may in addition be combined with the anchor plates T 140 and T 90.

An illustration and the description of the product are given in Annex A.

2 Specification of the intended use in accordance with the applicable EAD

The performances given in Section 3 are only valid if the anchor is used in compliance with the specifications and conditions given in Annex B.

The verification and assessment methods on which this European Technical Assessment is based lead to the assumption of a working life of the anchor of at least 25 years. The indications given on the working life cannot be interpreted as a guarantee given by the producer, but are to be regarded only as a means for choosing the right products in relation to the expected economically reasonable working life of the works.

3 Performance of the product and references to the methods used for its assessment

3.1 Mechanical resistance and stability (BWR 1)

Requirements with respect to the mechanical resistance and stability of non load bearing parts of the works are not included in this Essential requirement but are under the Essential Requirement safety in use.

3.2 Safety in case of fire (BWR 2)

Not applicable.

3.3 Hygiene, health and the environment (BWR 3)

Regarding dangerous substances contained in this European Technical Assessment, there may be requirements applicable to the products falling within its scope (e.g. transposed European legislation and national laws, regulations and administrative provisions). In order to meet the provisions of the Regulation (EU) No 305/2011, these requirements need also to be complied with, when and where they apply.

3.4 Safety in use (BWR 4)

Essential characteristic	Performance
Characteristic resistance	See Annex C 1
Edge distances and spacing	See Annex B 3
Point thermal transmittance	See Annex C 2
Plate stiffness	See Annex C 2
Displacements	See Annex C 2

3.5 Protection against noise (BWR 5)

Not applicable.

3.6 Energy economy and heat retention (BWR 6)

Not applicable.

3.7 Sustainable use of natural resources (BWR 7)

For the sustainable use of natural resources no performance was determined for this product.

3.8 General aspects

The verification of durability is part of testing the essential characteristics. Durability is only ensured if the specifications of intended use according to Annex B are taken into account.

4 Assessment and verification of constancy of performance (AVCP) system applied with reference to its legal base

According to Decision 97/463/EC of the Commission of 27 June 1997 (Official Journal of the European Communities L 198 of 25.07.1997, p. 31–32) the system of assessment and verification of constancy of performance (AVCP) (see Annex V and Article 65 Paragraph 2 to Regulation (EU) No 305/2011) given in the following table apply.

Product	Intended use	Level or class	System
Plastic anchors for use in concrete and masonry	For use in systems, such as façade systems, for fixing or supporting elements which contribute to the stability of the systems	—	2+

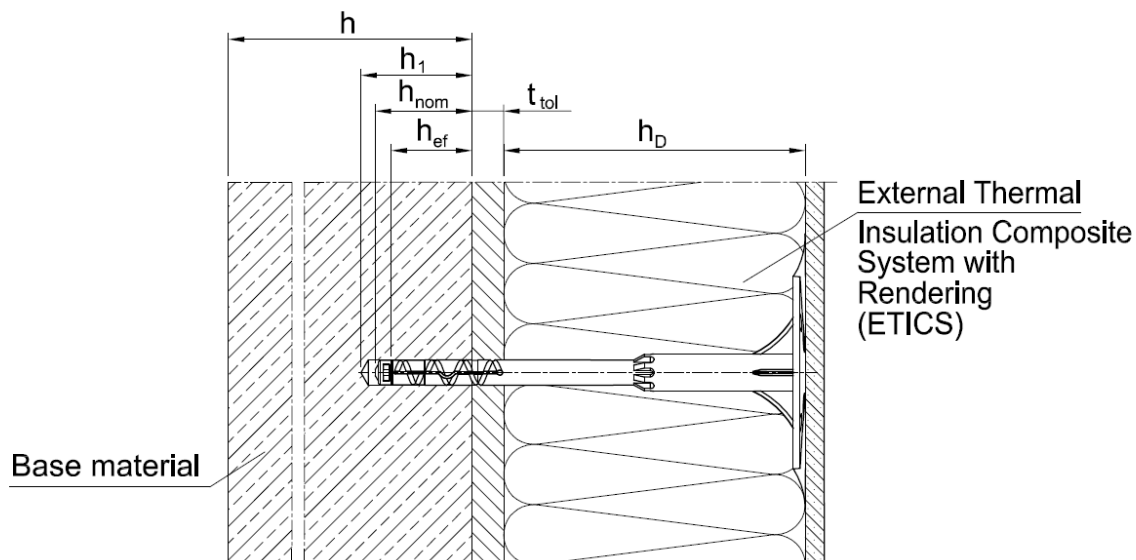
5 Technical details necessary for the implementation of the AVCP system, as provided in the applicable EAD

Technical details necessary for the implementation of the AVCP system are laid down in the control plan deposited at Deutsches Institut für Bautechnik.

Issued in Berlin on 8 January 2014 by Deutsches Institut für Bautechnik

Gerhard Breitschaft
President

beglaubigt:
E. Aksünger



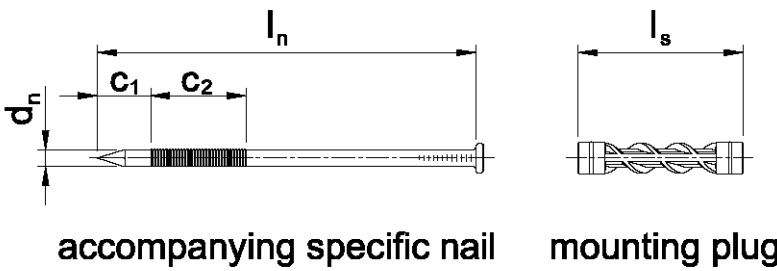
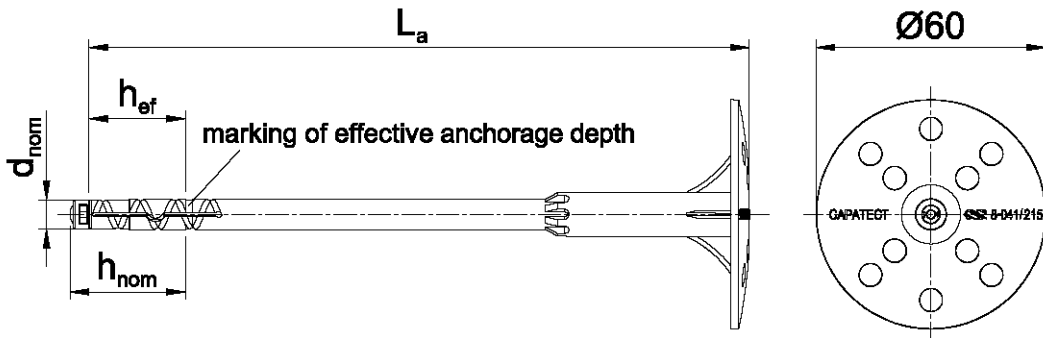
- Legend:
- h_D = thickness of insulation material
 - h_{ef} = effective anchorage depth
 - h_{nom} = overall plastic anchor embedment depth in the base material
 - h = thickness of member (wall)
 - h_1 = depth of drilled hole to deepest point
 - t_{tol} = thickness of equalizing layer or non-load-bearing coating

CAPATECT Type 041

Product description
Installed condition

Annex A 1

CAPATECT 8-041



Marking:
Identifying mark (CAPATECT)
Anchor type (8-041)
Length of anchor (e.g. 175)

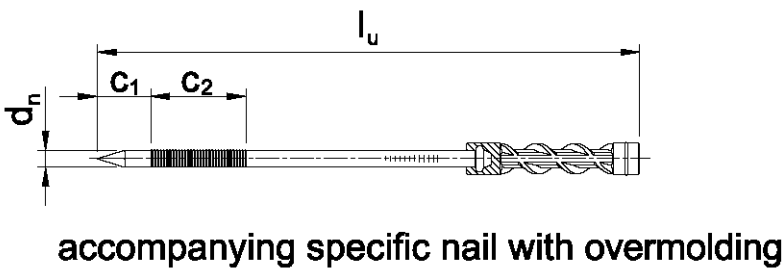


Table A1: Dimensions

Anchor Type	Colour	Anchor sleeve			Mounting plug	Specific nail				
		d_{nom} [mm]	h_{ef} h_{nom} [mm]	min L_a max L_a [mm]	l_s [mm]	d_n [mm]	c_1 [mm]	c_2 [mm]	min l_n max l_n [mm]	min l_u max l_u [mm]
CAPATECT Type 041	orange	8	25 29	95 235	45	4,5	14	25	53 193	99 239

Determination of maximum thickness of insulation h_D [mm] for CAPATECT Type 041:

$$h_D = L_a - t_{tol} - h_{ef} \quad (L_a = \text{e.g. } 95; t_{tol} = 10)$$

e.g. $h_D = 95 - 10 - 25 = 60$

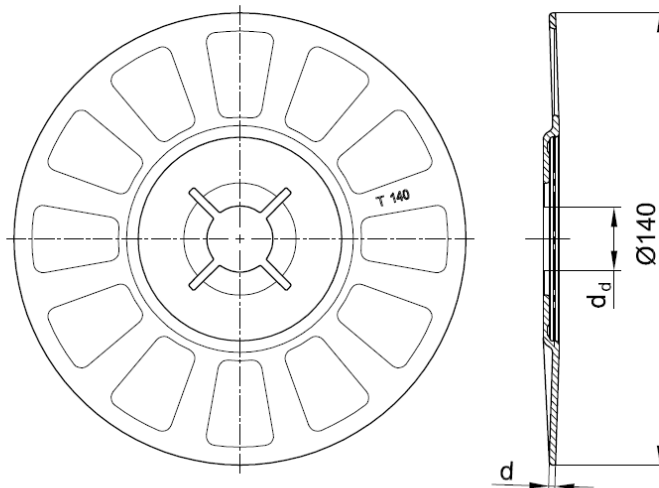
CAPATECT Type 041

Product description
Marking and dimension of the anchor sleeve
Expansion element

Annex A 2

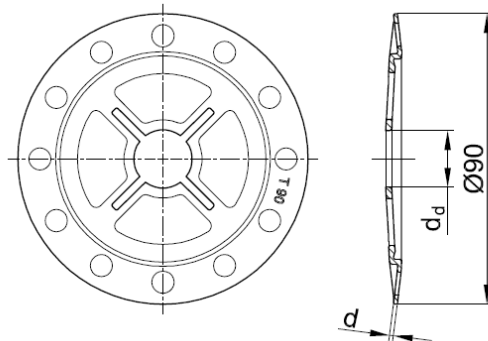
Table A2: Materials	
Name	Materials
Anchor sleeve	Polyethylene, PE-HD
Mounting plug / overmoulding	Polyamide, PA GF 50
Specific nail	Steel, electro galvanized $\geq 5 \mu\text{m}$ according to DIN EN ISO 4042:2001-01, blue passivated, $f_{uk} \geq 670 \text{ N/mm}^2$

T 140



T 140	
colour	nature
d_d [mm]	20,0
d [mm]	2,0
Material	^{1) 2)}

T 90



T 90	
colour	nature
d_d [mm]	17,5
d [mm]	1,2
Material	^{1) 2)}

- ¹⁾ Polyamide, PA 6
²⁾ Polyamide, PA GF 50

CAPATECT Type 041

Product description
Materials,
Slip on plates combined with CAPATECT Type 041

Annex A 3

Specifications of intended use

Anchorage subject to:

- The anchor may only be used for transmission of wind suction loads and shall not be used for the transmission of dead loads of the thermal insulation composite system. The dead loads have to be transmitted by the bonding of the thermal insulation composite system.

Base materials:

- Normal weight concrete (use category A) according to Annex C1.
- Solid masonry (use category B), according to Annex C 1.
- Hollow or perforated masonry (use category C), according to Annex C 1
- For other base materials of the use categories A, B or C the characteristic resistance of the anchor may be determined by job site tests according to ETAG 014 Edition February 2011, Annex D.

Temperature Range:

- 0°C to +40°C (max. short term temperature +40°C and max. long term temperature +24°C)

Design:

- The anchorages are designed in accordance with the ETAG 014 Edition February 2011 under the responsibility of an engineer experienced in anchorages and masonry work.
- Verifiable calculation notes and drawings are prepared taking account of the loads to be anchored. The position of the anchor is indicated on the design drawings.
- Fasteners are only to be used for multiple fixings for non-structural application, according to ETAG 014 Edition February 2011.

Installation:

- Hole drilling by the drill modes according to Annex C1.
- Anchor installation carried out by appropriately qualified personnel and under the supervision of the person responsible for technical matters of the site.
- Installation temperature from 0°C to +40°C
- Exposure to UV due to solar radiation of the anchor not protected by rendering ≤ 6 weeks

CAPATECT Type 041

Intended use
Specifications

Annex B 1

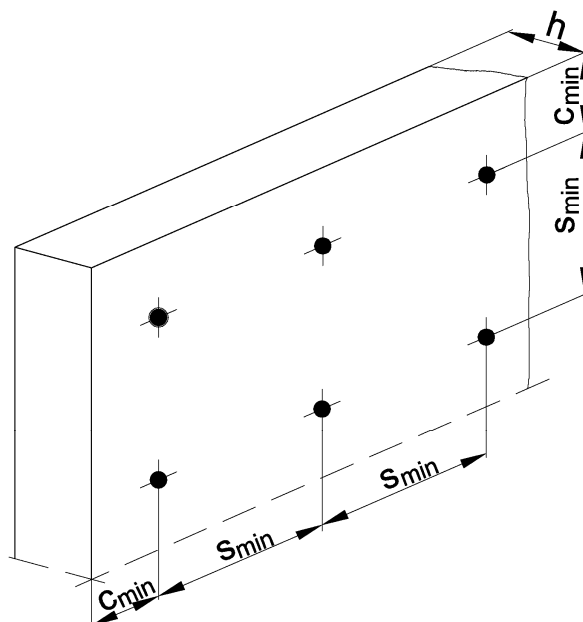
Table B1: Installation parameters

Anchor type	CAPATECT Type 041		
Drill hole diameter	d_0 [mm]	=	8
Cutting diameter of drill bit	d_{cut} [mm]	≤	8,45
Depth of drilled hole to deepest point	h_1 [mm]	≥	35
Effective anchorage depth	h_{ef} [mm]	≥	25
Overall plastic anchor embedment depth in the base material	h_{nom} [mm]	≥	29

Table B2: Anchor distances and dimensions of members

Anchor type	CAPATECT Type 041		
Minimum allowable spacing	s_{min}	= [mm]	100
Minimum allowable edge distance	c_{min}	= [mm]	100
Minimum thickness of member	h_{min}	= [mm]	100

Scheme of distances and spacing

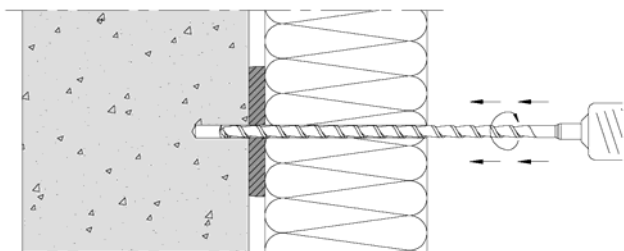


CAPATECT Type 041

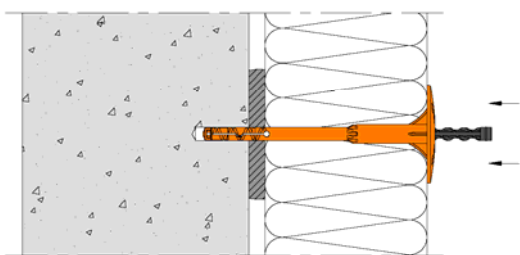
Intended use
Installation parameters,
Edge distances and spacing

Annex B 2

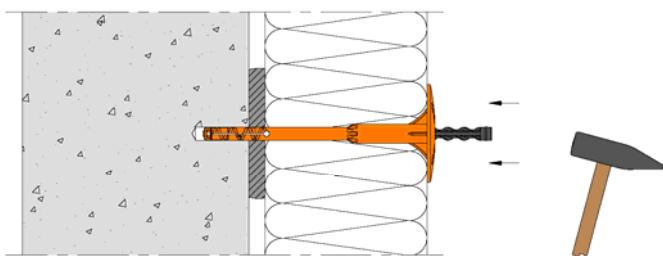
Installation instructions



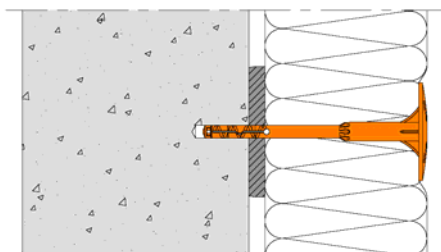
Drill the hole perpendicular to the substrate surface.
Clean the drill hole 3x



Place the anchor into the drill hole.
The bottom side of the plate must be flush with the ETICS.



Drive in the specific nail with the hammer.



Installed condition of CAPATECT Type 041

CAPATECT Type 041

Intended use
Installation instructions

Annex B 3

Table C1: Characteristic resistance to tension loads N_{Rk} in concrete and masonry for a single anchor in kN

Anchor type					CAPATECT Type 041
Base materials	Bulk density class ρ [kg/dm ³]	minimum compressive strength f_b [N/mm ²]	General remarks	Drill method	N_{Rk} [kN]
Concrete C12/15			EN 206-1:2000-12	hammer	0,75
Concrete C20/25 – C50/60			EN 206-1:2000-12	hammer	0,90
Thin concrete members, e.g. weather resistant skins of external wall panels C20/25 – C50/60			EN 206-1:2000-12	hammer	0,90
Clay bricks, Mz e.g. according to DIN 105-100:2012-01/ EN 771-1:2011-07	$\geq 1,8$	12	Vertically perforation up to 15 %	hammer	0,90
Sand-lime solid bricks, KS e.g. according to DIN V 106:2005-10 / EN 771-2:2011-07	$\geq 1,8$	12	Vertically perforation up to 15 %	hammer	0,90
Concrete masonry units, Vbn e.g. according to DIN V 18153-100: 2005-10 / EN 771-3:2011-07	$\geq 2,0$	12		hammer	0,90
Lightweight concrete solid blocks, Vbl e.g. acc. to DIN V 18152-100:2005-10 / EN 771-3:2011-07	$\geq 0,65$	2	Proportion of hole up to 10%	rotary	0,50
Vertically perforated clay bricks, HLz e.g. according to DIN 105-100:2012-01/ EN 771-1:2011-07	$\geq 0,9$	12	Vertically perforation more than 15 % and less than 50 %	rotary	0,60 ¹⁾
Sand-lime perforated bricks, KSL e.g. according to DIN V 106:2005-10 / EN 771-2:2011-07	$\geq 1,4$	12	Vertically perforation more than 15 %	rotary	0,60 ²⁾
Lightweight concrete hollow block, Hbl e.g. acc. to DIN V 18151-100:2005-10 / EN 771-3:2011-07	$\geq 1,0$	2	See Annex C 3	rotary	0,60

- 1) The value applies only for outer web thickness ≥ 11 mm; otherwise the characteristic resistance shall be determined by job site pull-out tests.
- 2) The value applies only for outer web thickness ≥ 20 mm; otherwise the characteristic resistance shall be determined by job site pull-out tests.

CAPATECT Type 041

Performances
Characteristic resistance

Annex C 1

Table C2: Point thermal transmittance according EOTA Technical Report TR 025:2007-06

anchor type	insulation thickness h_D [mm]	point thermal transmittance χ [W/K]
CAPATECT Type 041	60 – 260	0,002

Table C3: Plate stiffness according EOTA Technical Report TR 026:2007-06

anchor type	diameter of the anchor plate [mm]	load resistance of the anchor plate [kN]	plate stiffness [kN/mm]
CAPATECT Type 041	60	1,4	0,5

Table C4: Displacements

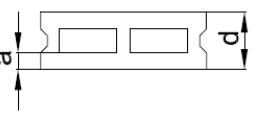
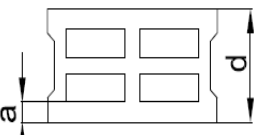
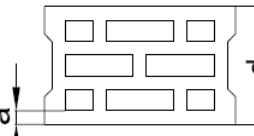
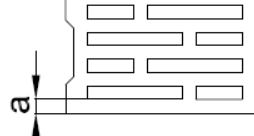
Base material	Bulk density class ρ [kg/dm ³]	Minimum Compressive strength f_b [N/mm ²]	Tension load N [kN]	Displacements $\delta_m(N)$ [mm]
Concrete C12/15 (EN 206-1:2000-12)			0,25	0,4
Concrete C20/25 – C50/60 (EN 206-1:2000-12)			0,3	0,5
Concrete C20/25 - C50/60 thin members 100 mm > h ≥ 40 mm (EN 206-1:2000-12)			0,3	0,5
Clay bricks, Mz (DIN 105-100:2012-01/ EN 771-1:2011-07)	≥ 1,8	12	0,3	0,5
Sand-lime solid bricks, KS (DIN V 106:2005-10 / EN 771-2:2011-07)	≥ 1,8	12	0,3	0,5
Concrete masonry units, Vbn (DIN V 18153-100:2005-10 / EN 771-3:2011-07)	≥ 2,0	12	0,3	0,5
Lightweight concrete solid blocks, Vbl (DIN V 18152-100:2005-10 / EN 771-3:2011-07)	≥ 0,65	2	0,5	0,4
Vertically perforated clay bricks, HLz (DIN 105-100:2012-01/ EN 771-1:2011-07)	≥ 0,9	12	0,6	0,5
Sand-lime perforated bricks, KSL (DIN V 106:2005-10 / EN 771-2:2011-07)	≥ 1,4	12	0,6	0,5
Lightweight concrete hollow blocks, Hbl (DIN V 18151-100:2005-10 / EN 771-3:2011-07)	≥ 1,0	2	0,6	0,4

CAPATECT Type 041

Performances
Point thermal transmittance, plate stiffness and displacements

Annex C 2

Table C5: Assignment type of anchor and geometry of bricks for lightweight-concrete hollow blocks according to DIN V 18151-100:2005-10

Geometry	Thickness d [mm]	Outer web in longitudinal direction a [mm]	Anchor type CAPATECT Type 041
	175	50	•
	240	50	•
	300	50	•
	175	35	•
	240	35	•
	300		
	365	30	•
	240		
	300		
	365		

The anchor shall be placed in the brick in such way, that the spreading part of the expansion sleeve is located in the outer web.

CAPATECT Type 041

Performances
Assignment type of anchor for lightweight concrete hollow blocks

Annex C 3