

Approval body for construction products  
and types of construction

Bautechnisches Prüfamt

An institution established by the Federal and  
Laender Governments



## European Technical Assessment

**ETA-14/0408**  
**of 19 December 2014**

English translation prepared by DIBt - Original version in German language

### General Part

Technical Assessment Body issuing the  
European Technical Assessment:

Deutsches Institut für Bautechnik

Trade name of the construction product

fischer injection system FIS GREEN

Product family  
to which the construction product belongs

Bonded anchor with steel element for use in non-cracked  
concrete

Manufacturer

fischerwerke GmbH & Co. KG  
Otto-Hahn-Straße 15  
79211 Denzlingen  
DEUTSCHLAND

Manufacturing plant

fischerwerke

This European Technical Assessment  
contains

28 pages including 3 annexes

This European Technical Assessment is  
issued in accordance with Regulation (EU)  
No 305/2011, on the basis of

Guideline for European technical approval of "Metal  
anchors for use in concrete", ETAG 001 Part 5: "Bonded  
anchors", April 2013,  
used as European Assessment Document (EAD)  
according to Article 66 Paragraph 3 of Regulation (EU)  
No 305/2011.

The European Technical Assessment is issued by the Technical Assessment Body in its official language. Translations of this European Technical Assessment in other languages shall fully correspond to the original issued document and shall be identified as such.

Communication of this European Technical Assessment, including transmission by electronic means, shall be in full. However, partial reproduction may only be made with the written consent of the issuing Technical Assessment Body. Any partial reproduction has to be identified as such.

This European Technical Assessment may be withdrawn by the issuing Technical Assessment Body, in particular pursuant to information by the Commission according to Article 25 Paragraph 3 of Regulation (EU) No 305/2011.

## Specific Part

### 1 Technical description of the product

The fischer injection system FIS GREEN is a bonded anchor consisting of a cartridge with injection mortar fischer FIS GREEN and a steel element. The steel element consist of

- a fischer threaded rod with washer and hexagon nut of sizes M8 to M20 or
- internal threaded anchor RG MI of sizes M8 to M16 or
- a deformed reinforcing bar of sizes  $\phi = 8$  to 20 mm or
- a fischer rebar anchor FRA of sizes M12 to M20

The steel element is placed into a drilled hole filled with injection mortar and is anchored via the bond between metal part, injection mortar and concrete.

The product description is given in Annex A.

### 2 Specification of the intended use in accordance with the applicable European Assessment Document

The performances given in Section 3 are only valid if the anchor is used in compliance with the specifications and conditions given in Annex B.

The verifications and assessment methods on which this European Technical Assessment is based lead to the assumption of a working life of the anchor of at least 50 years. The indications given on the working life cannot be interpreted as a guarantee given by the producer, but are to be regarded only as a means for choosing the right products in relation to the expected economically reasonable working life of the works.

### 3 Performance of the product and references to the methods used for its assessment

#### 3.1 Mechanical resistance and stability (BWR 1)

Essential characteristic	Performance
Characteristic resistance for design according to TR 029	See Annex C 1 to C 5
Characteristic resistance for design according to CEN/TS 1992-4:2009	See Annex C 6 to C 11
Displacements under tension and shear loads	See Annex C 12 / C 13

#### 3.2 Safety in case of fire (BWR 2)

Essential characteristic	Performance
Reaction to fire	Anchorage satisfy requirements for Class A1
Resistance to fire	No performance determined (NPD)

English translation prepared by DIBt

### 3.3 Hygiene, health and the environment (BWR 3)

Regarding dangerous substances there may be requirements (e.g. transposed European legislation and national laws, regulations and administrative provisions) applicable to the products falling within the scope of this European Technical Assessment. In order to meet the provisions of Regulation (EU) No 305/2011, these requirements need also to be complied with, when and where they apply.

### 3.4 Safety in use (BWR 4)

The essential characteristics regarding Safety in use are included under the Basic Works Requirement Mechanical resistance and stability.

### 3.5 Protection against noise (BWR 5)

Not applicable.

### 3.6 Energy economy and heat retention (BWR 6)

Not applicable.

### 3.7 Sustainable use of natural resources (BWR 7)

The sustainable use of natural resources was not investigated.

### 3.8 General aspects

The verification of durability is part of testing the essential characteristics. Durability is only ensured if the specifications of intended use according to Annex B are taken into account.

## 4 Assessment and verification of constancy of performance (AVCP) system applied, with reference to its legal base

According to Decision of the Commission of 24 June 1996 (96/582/EC) (OJ L 254 of 08.10.96 p. 62-65), the system of assessment and verification of constancy of performance (see Annex V and Article 65 Paragraph 2 to Regulation (EU) No 305/2011) given in the following table applies.

Product	Intended use	Level or class	System
Metal anchors for use in concrete (heavy-duty type)	For fixing and/or supporting concrete structural elements or heavy units such as cladding and suspended ceilings	—	1

## 5 Technical details necessary for the implementation of the AVCP system, as provided for in the applicable European Assessment Document

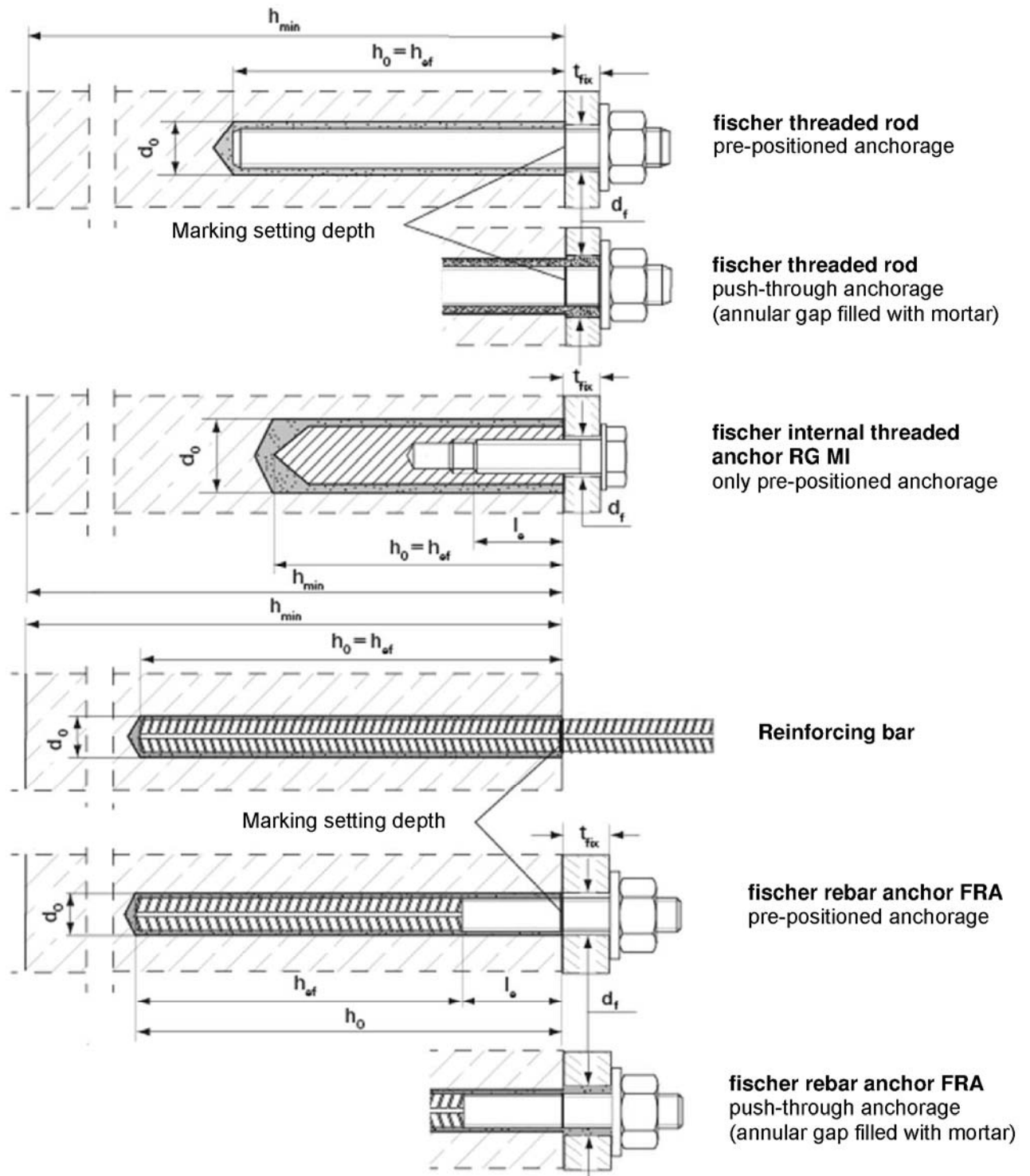
Technical details necessary for the implementation of the AVCP system are laid down in the control plan deposited at Deutsches Institut für Bautechnik.

Issued in Berlin on 19 December 2014 by Deutsches Institut für Bautechnik

Uwe Bender  
Abteilungsleiter

*beglaubigt:*  
Lange

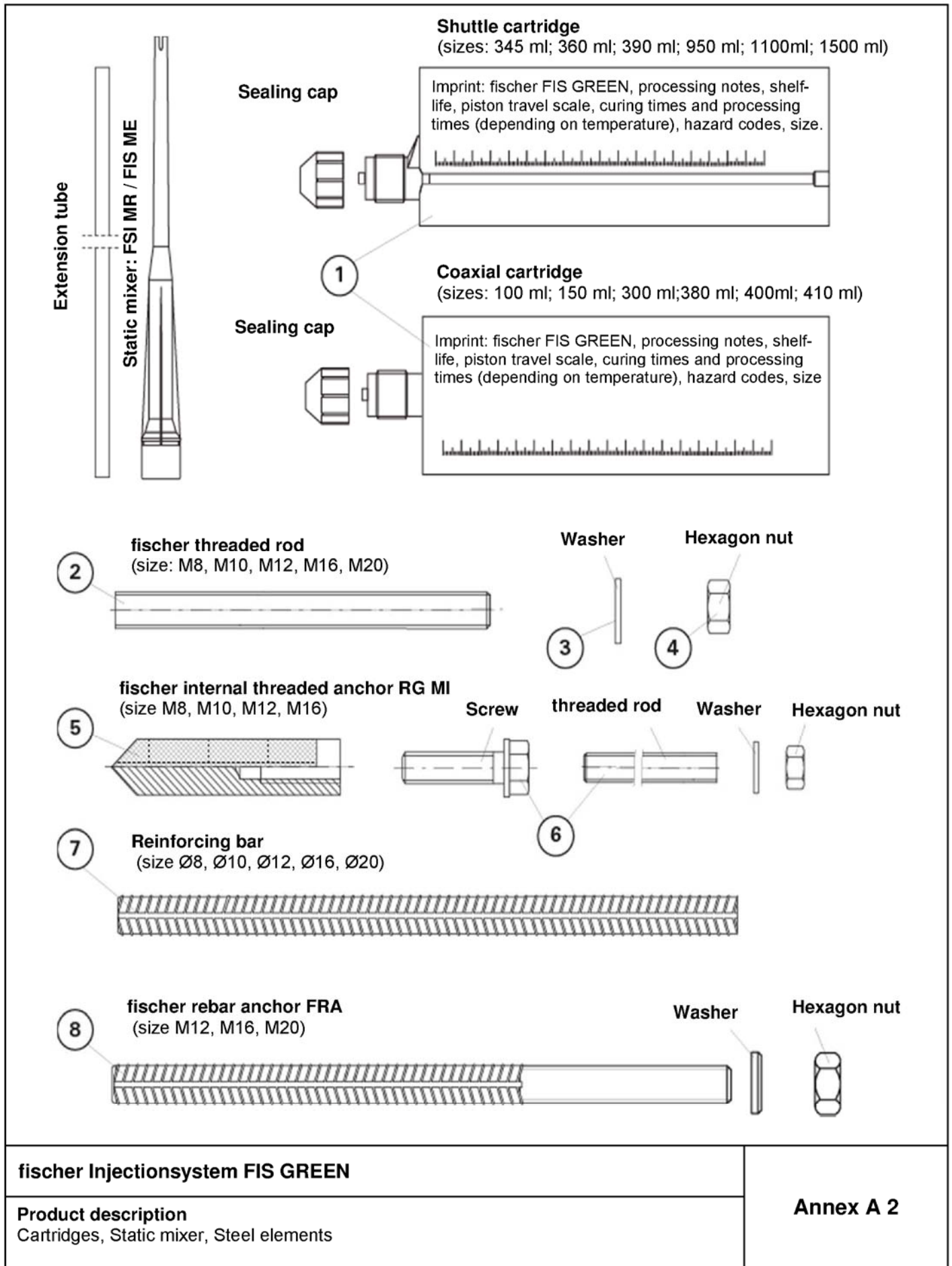
**Installed condition**



**fischer Injectionsystem FIS GREEN**

**Product description**  
Installed condition

**Annex A 1**



**Table A1: Materials**

Part	Designation	Material		
1	Mortar cartridge	Bio based mortar, hardener; fillers		
		Steel, zinc plated	Stainless steel A4	High corrosion-resistant steel C
2	Threaded rod	Property class 5.8 or 8.8; ISO 898-1: 2013 zinc plated $\geq 5\mu\text{m}$ , ISO 4042:1999 A2K or hot-dip galvanised ISO 10684:2004 $f_{uk} \leq 1000 \text{ N/mm}^2$ $A_5 > 8\%$	Property class 50, 70 or 80 ISO 3506:2009 1.4401; 1.4404; 1.4578; 1.4571; 1.4439; 1.4362; 1.4062 EN 10088-1:2014 $f_{uk} \leq 1000 \text{ N/mm}^2$ $A_5 > 8\%$	Property class 50 or 80 ISO 3506:2009 or property class 70 with $f_{yk} = 560 \text{ N/mm}^2$ 1.4565; 1.4529 EN 10088-1:2014 $f_{uk} \leq 1000 \text{ N/mm}^2$ $A_5 > 8\%$
3	Washer ISO 7089:2000	zinc plated $\geq 5\mu\text{m}$ , EN ISO 4042:1999 A2K or hot-dip galvanised ISO 10684:2004	1.4401; 1.4404; 1.4578; 1.4571; 1.4439; 1.4362 EN 10088-1:2014	1.4565; 1.4529 EN 10088-1:2014
4	Hexagon nut	Property class 5 or 8; ISO 898-2:2013 zinc plated $\geq 5\mu\text{m}$ , ISO 4042:1999 A2K or hot-dip galvanised ISO 10684:2004	Property class 50, 70 or 80 ISO 3506:2009 1.4401; 1.4404; 1.4578; 1.4571; 1.4571; 1.4439; 1.4362 EN 10088-1:2014	Property class 50, 70 or 80 ISO 3506:2009 1.4565; 1.4529 EN 10088-1:2014
5	Internal threaded anchor RG MI	Property class 5.8 or 8.8; EN 10277-1:2008-06 zinc plated $\geq 5\mu\text{m}$ , ISO 4042:1999 A2K	Property class 70 ISO 3506:2009 1.4401; 1.4404; 1.4578; 1.4571; 1.4439; 1.4362 EN 10088-1:2014	Property class 70 ISO 3506-1:2009 1.4565; 1.4529 EN 10088-1:2014
6	Screw or threaded rod for internal threaded anchor	Property class 5.8 or 8.8; ISO 898-1:2013 zinc plated $\geq 5\mu\text{m}$ , ISO 4042:1999 A2K	Property class 70 ISO 3506:2009 1.4401; 1.4404; 1.4578; 1.4571; 1.4439; 1.4362 EN 10088-1:2014	Property class 70 ISO 3506-1:2009 1.4565; 1.4529 EN 10088-1:2014
7	Rebar EN 1992-1-1:2004 + AC:2010, Annex C	Bars and decoiled rods class B or C with $f_{yk}$ and $k$ according to NDP or NCL of EN 1992-1-1/NA:2013 $f_{uk} = f_{tk} = k \cdot f_{yk}$		
8	Rebar anchor FRA	Bars and decoiled rods class B or C with $f_{yk}$ and $k$ according to NDP or NCL of EN 1992-1-1/NA:2013 $f_{uk} = f_{tk} = k \cdot f_{yk}$	Threaded part: Property class 70 ISO 3506:2009 1.4565; 1.4529 EN 10088-1:2014	

**fischer Injectionsystem FIS GREEN**

**Product description**  
Materials

**Annex A 3**



### Specifications of intended use

#### Anchorage subject to:

- Static and quasi-static loads.

#### Base materials:

- Reinforced or unreinforced normal weight concrete according to EN 206:2013 .
- Strength classes C20/25 to C50/60 according to EN 206:2013.
- Non-cracked concrete.

#### Temperature ranges:

	Max. long term temperature	Max. short term temperature
<b>Temperature range I</b> -40°C to +40°C	+24°C	+40°C
<b>Temperature range II</b> -40°C to +80°C	+50°C	+80°C

#### Use conditions (Environmental conditions):

- Structures subject to dry internal conditions (zinc coated steel, stainless steel or high corrosion resistant steel)
- Structures subject to external atmospheric exposure (including industrial and marine environment) and to permanently damp internal condition, if no particular aggressive conditions exist (stainless steel or high corrosion resistant steel)
- Structures subject to external atmospheric exposure and to permanently damp internal condition, if other particular aggressive conditions (high corrosion resistant steel)

Note: Particular aggressive conditions are e.g. permanent, alternating immersion in seawater or the splash zone of seawater, chloride atmosphere of indoor swimming pools or atmosphere with extreme chemical pollution (e.g. in desulphurization plants or road tunnels where de-icing materials are used).

#### Design:

- Anchorages have to be designed under the responsibility of an engineer experienced in anchorages and concrete work.
- Verifiable calculation notes and drawings have to be prepared taking account of the loads to be anchored. The position of the anchor is indicated on the design drawings (e.g. position of the anchor relative to reinforcement or to supports, etc.).
- Anchorages under static or quasi-static actions have to be designed in accordance with TR 029 "Design of bonded anchors", Edition September 2010 or CEN/TS 1992-4:2009

#### Installation:

- Anchor installation carried out by appropriately qualified personnel and under the supervision of the person responsible for technical matters of the site.
- Dry or wet concrete.
- Hole drilling by hammer mode.
- In case of aborted hole: The hole shall be filled with mortar
- Marking and keeping the effective anchorage depth
- Cleaning the drill hole and installation in accordance with Annexes B 7 to B 8
- During curing of the mortar the temperature of the concrete must not fall below 0°C
- The curing time until the anchor may be loaded as given in Annex B 6 Table B6

**fischer Injectionsystem FIS GREEN**

**Intended use  
Specifications**

**Annex B 1**

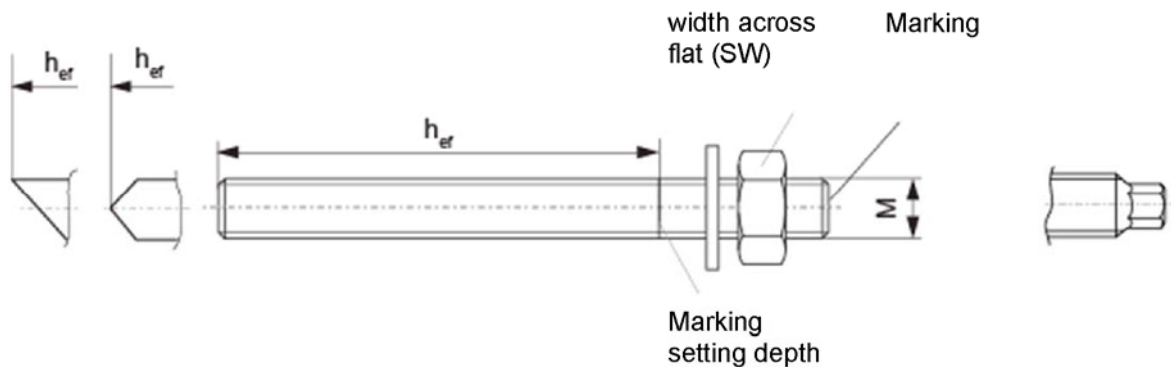


**Table B1: Installation parameters threaded rods**

Anchor size			M8	M10	M12	M16	M20	
Nominal drill hole diameter	$d_0$	[mm]	10	12	14	18	24	
Width across flat	SW	[mm]	13	17	19	24	30	
Drill hole depth	$h_0$	[mm]	$h_0 = h_{ef}$					
Effective anchorage depth	$h_{ef,min}$	[mm]	60	60	70	80	90	
	$h_{ef,max}$	[mm]	160	200	240	320	400	
Maximum torque moment	$T_{inst,max}$	[Nm]	10	20	40	60	120	
Minimum spacing	$s_{min}$	[mm]	40	45	55	65	85	
Minimum edge distance	$c_{min}$	[mm]	40	45	55	65	85	
Diameter of clearance hole in the fixture <sup>1)</sup>	Pre-positioned anchorage	$d_f$	[mm]	9	12	14	18	22
	Push-through anchorage	$d_f$	[mm]	11	14	16	20	26
Minimum thickness of concrete member		$h_{min}$	[mm]	$h_{ef} + 30 (\geq 100)$			$h_{ef} + 2d_0$	

<sup>1)</sup> For bigger clearance holes in fixture see TR 029, chapter 1.1 or CEN/TS 1992-4-1, chapter 1.2.3

**fischer threaded rod FIS A and RGM**



**Marking:**

Property class 8.8 or high corrosion-resistant steel C, property class 80: ●  
Stainless steel A4, property class 50 and high corrosion-resistant steel C, property class 50: ●●

**Commercial standard threaded rods, washers and hexagon nuts may also be used if the following requirements are fulfilled:**

- Materials, dimensions and mechanical properties according Annex A 3, Table A1
- Inspection certificate 3.1 according to EN 10204:2004, the documents should be stored
- Marking of embedment depth

**fischer Injectionsystem FIS GREEN**

**Intended use**  
Installation parameters threaded rods

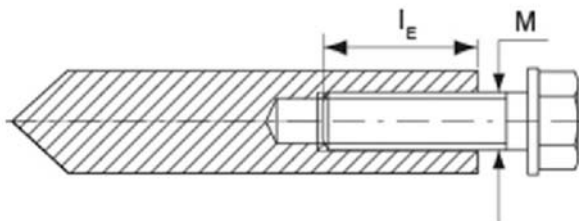
**Annex B 2**

**Table B2: Installation parameters internal threaded anchors RG MI**

Nominal size			M8	M10	M12	M16
Anchor size	$d_H$	[mm]	12	16	18	22
Nominal drill hole diameter	$d_0$	[mm]	14	18	20	24
Drill hole depth	$h_0$	[mm]	$h_0 = h_{ef}$			
Effective anchorage depth	$h_{ef}$	[mm]	90	90	125	160
Maximum torque moment	$T_{inst,max}$	[Nm]	10	20	40	80
Minimum spacing	$s_{min}$	[mm]	55	65	75	95
Minimum edge distance	$c_{min}$	[mm]	55	65	75	95
Diameter of clearance hole in the fixture <sup>1)</sup>	$d_f$	[mm]	9	12	14	18
Minimum thickness of concrete member	$h_{min}$	[mm]	120	126	165	208
Maximum screw-in depth	$l_{E,max}$	[mm]	18	23	26	35
Minimum screw-in depth	$l_{E,min}$	[mm]	8	10	12	16

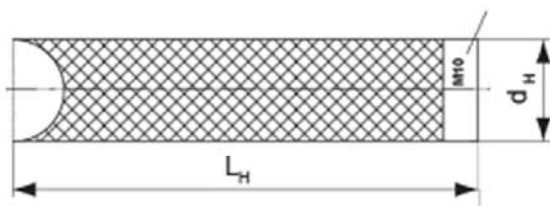
<sup>1)</sup> For bigger clearance holes in fixture see TR 029, chapter 1.1 or CEN/TS 1992-4-1, chapter 1.2.3

**fischer internal threaded anchor RG MI**



Marking: anchor size e.g.: M10  
Stainless steel in addition A4 e.g.: M10  
A4High corrosion-resistant steel in addition C  
e.g.: M10 C

Marking



Fastening screw or threaded rods including washer and nuts must comply with the appropriate material and strength class of table A1

**fischer Injectionsystem FIS GREEN**

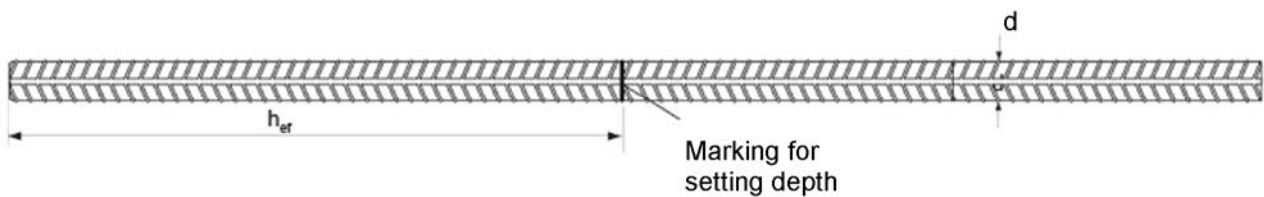
**Intended use**  
Installation parameters internal threaded anchors RG MI

**Annex B 3**

Rebar diameter			8 <sup>1)</sup>	10 <sup>1)</sup>	12 <sup>1)</sup>	14	16	20
Nominal drill hole diameter	d <sub>0</sub>	[mm]	(10)12	(12)14	(14) 16	18	20	25
Drill hole depth	h <sub>0</sub>	[mm]	h <sub>0</sub> = h <sub>ef</sub>					
Effective anchorage depth	h <sub>ef,min</sub>	[mm]	60	60	70	75	80	90
	h <sub>ef,max</sub>	[mm]	160	200	240	280	320	400
Minimum spacing	s <sub>min</sub>	[mm]	40	45	55	60	65	85
Minimum edge distance	c <sub>min</sub>	[mm]	40	45	55	60	65	85
Minimum thickness of concrete member	h <sub>min</sub>	[mm]	h <sub>ef</sub> + 30 ≥ 100			h <sub>ef</sub> + 2d <sub>0</sub>		

1) Both drill bit diameters can be used.

### Reinforcing bar



Properties of reinforcement: refer to EN 1992-1-1 Annex C, Table C.1 and C.2N

Product form		Non-zink-plated bars and decoiled rod	
Class		<b>B</b>	<b>C</b>
Characteristic yield strength $f_{yk}$ or $f_{0,2k}$ [MPa]		400 to 600	
Minimum value of $k = (f_t/f_y)_k$		≥ 1,08	≥ 1,15 < 1,35
Characteristic strain at maximum force $\epsilon_{uk}$ [%]		≥ 5,0	≥ 7,5
Bentability property		Bend / Rebendtest	
Maximum deviation from nominal mass (individual bar) [%]	Nominal bar size [mm]	≤ 8	± 6,0
		> 8	± 4,5
Bond: Minimum relative rib area, $f_{R,min}$ (determination acc. to EN 15630)	Nominal bar size [mm]	8 to 12	0,040
		> 12	0,056

### Rib height h:

The rib height h must be:  $0,05 * d \leq h \leq 0,07 * d$     d = nominal bar size

fischer Injectionsystem FIS GREEN

Intended use  
Installation parameters reinforcing bars

Annex B 4

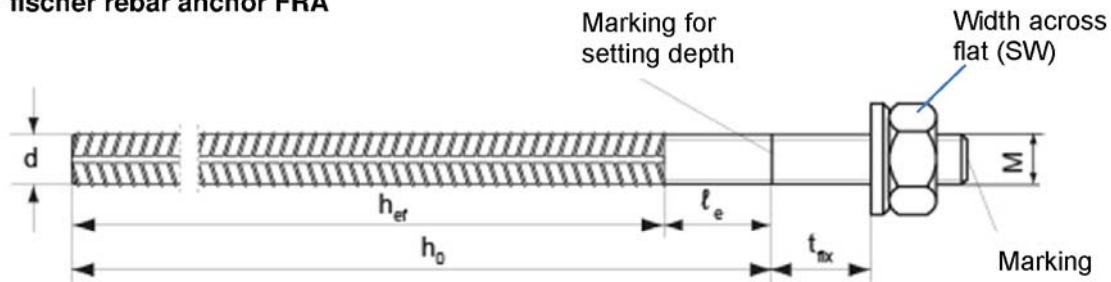
Table B4: Installation parameters rebar anchor FRA



Threaded diameter		M12 <sup>1)</sup>	M16	M20	
Nominal bar size	d [mm]	12	16	20	
Width across flat	SW [mm]	19	24	30	
Nominal drill hole diameter	d <sub>0</sub> [mm]	(14) 16	20	25	
Drill hole depth	h <sub>0</sub> [mm]	h <sub>ef</sub> + ℓ <sub>e</sub>			
Distance concrete surface to welded joint	ℓ <sub>e</sub> [mm]	100			
Effective anchorage depth	h <sub>ef,min</sub> [mm]	70	80	90	
	h <sub>ef,max</sub> [mm]	140	220	300	
Maximum torque moment	T <sub>inst,max</sub> [Nm]	40	60	120	
Minimum spacing	s <sub>min</sub> [mm]	55	65	85	
Minimum edge distance	c <sub>min</sub> [mm]	55	65	85	
Diameter of clearance hole in the fixture <sup>2)</sup>	Pre-positioned anchorage	d <sub>f</sub> [mm]	14	18	22
	Push-through anchorage	d <sub>f</sub> [mm]	18	22	26
Minimum thickness of concrete member	h <sub>min</sub> [mm]	h <sub>0</sub> + 30	h <sub>0</sub> + 2d <sub>0</sub>		

<sup>1)</sup> Both drill bit diameters can be used

<sup>2)</sup> For bigger clearance holes in fixture see TR 029, chapter 1.1 or CEN/TS 1992-4-1, chapter 1.2.3

**fischer rebar anchor FRA**



Marking:  FRA (for stainless steel)  
 FRA C (for high corrosion-resistant steel)

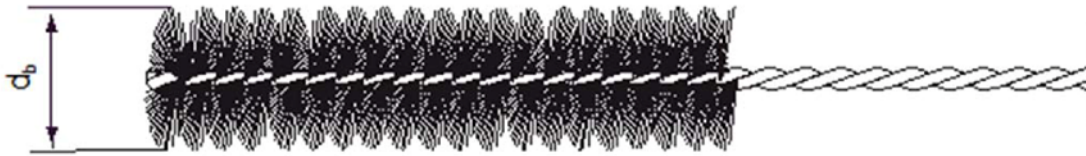
**fischer Injectionsystem FIS GREEN**

**Intended use**  
Installation parameters rebar anchor FRA

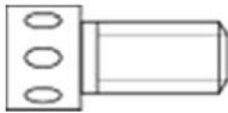
**Annex B 5**

**Table B5: Parameters of steel brush FIS BS**

Drill bit diameter	[mm]	10	12	14	16	18	20	24	25
Steel brush diameter $d_b$	[mm]	11	14	16	20	20	25	26	27



**Cleaning nozzle**



**Table B6: Maximum processing time of the mortar and minimum curing time**

(During the curing time of the mortar the concrete temperature may not fall below the listed minimum temperature).

Temperature at anchoring base [°C]	Minimum curing time <sup>1)</sup> $t_{cure}$ [minutes]	System temperature (mortar) [°C]	Maximum processing time $t_{work}$ [minutes]
±0 to +5	6 hours	+5	13
>+5 to +10	4 hours	+10	9
>+10 to +20	90	+20	5
>+20 to +30	60	+30	4
>+30 to +40	30	+40	2

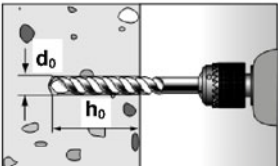
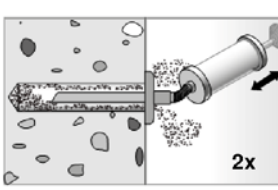
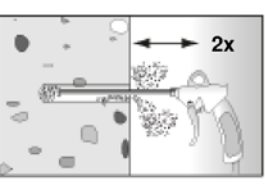
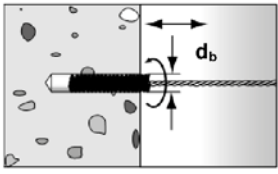
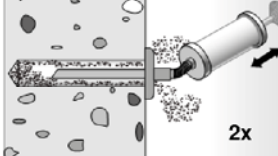
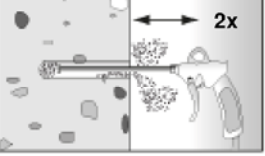
<sup>1)</sup> For wet concrete the curing time must be doubled.

**fischer Injectionsystem FIS GREEN**

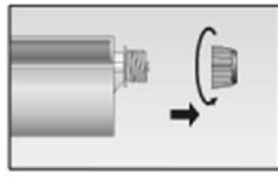
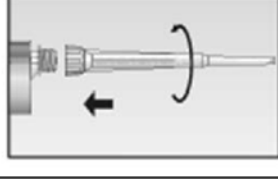


**Annex B 6**

**Intended Use**  
Cleaning tools  
Processing times and curing times

**Installation instructions part 1**  
**Drilling and cleaning the hole**

1		<p>Drill the hole. Drill hole diameter <math>d_0</math> and drill hole depth <math>h_0</math> see Tables <b>B1</b>, <b>B2</b>, <b>B3</b>, <b>B4</b>.</p>	
2		<p><math>h_{ef} \leq 10d</math> and <math>d_0 &lt; 18</math> mm: Blow out the drill hole two times by hand.</p>	 <p><math>h_{ef} &gt; 10d</math> and/or <math>d_0 \geq 18</math> mm: Blow out the drill hole two times, using oil-free pressure air (<math>p &gt; 6</math> bar) with a cleaning nozzle.</p>
3		<p>Brush the drill hole two times using an adequate steel brush (see Table <b>B5</b>).</p>	
4		<p><math>h_{ef} \leq 10d</math> and <math>d_0 &lt; 18</math> mm: Blow out the drill hole two times by hand.</p>	 <p><math>h_{ef} &gt; 10d</math> and/or <math>d_0 \geq 18</math> mm: Blow out the drill hole two times, using oil-free pressure air (<math>p &gt; 6</math> bar) with a cleaning nozzle.</p>

**Preparing the cartridge**

5		<p>Twist off the sealing cap.</p>
6		<p>Twist on the static mixer. The spiral in the static mixer must be clearly visible.</p>
7		<p>Place the cartridge into the dispenser.</p>
8		<p>Press out approx. 10cm of mortar until the resin is permanent grey in colour. Mortar which is not grey in colour will not cure and must be disposed of.</p>

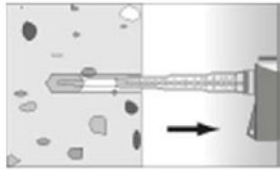
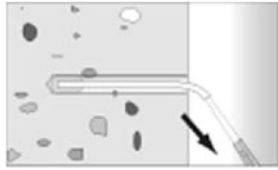
**fischer Injectionsystem FIS GREEN**

**Intended Use**  
Installation instructions part 1

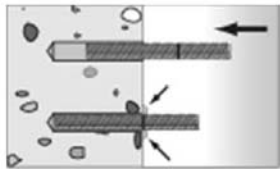
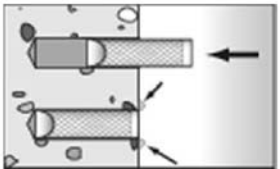
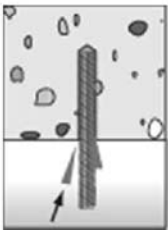
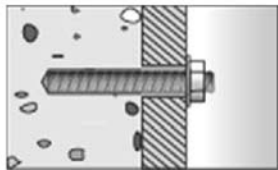
**Annex B 7**




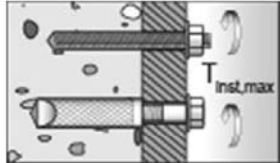
**Installation instructions part 2**  
**Injection of the mortar**

<b>9</b>		Fill approx. 2/3 of the drill hole with mortar. Always begin from the bottom of the hole to eliminate voids.		For drill hole depth $\geq 150$ mm use an extension tube.
----------	---	--	--	---

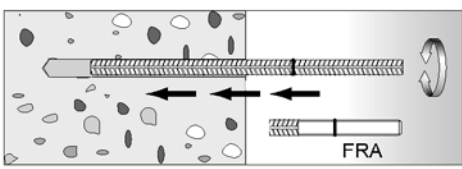
**Installation fischer anchor rods or internal threaded anchors RG MI**


<b>10</b>			Only use clean and oil-free anchor elements. Press the anchor rod or internal threaded anchor RG MI down to the bottom of the hole, turning it slightly while doing so. After inserting the anchor element, excess mortar must emerge around the anchor element.	
		For overhead installation support the anchor element with wedges.		For push-through installation fill the annular gap also with mortar.

<b>11</b>		Wait for the specified curing time $t_{cure}$ see Table B6.
-----------	---	---

<b>12</b>		Mounting the fixture $T_{inst,max}$ see Tables B1 or B6
-----------	---	--

**Installing reinforcing bars and fischer rebar anchors FRA**

<b>10</b>		Only use clean and oil-free rebars. Mark the reinforcing bar for setting depth. Using a turning movement, push the reinforcing bar or FRA vigorously into the filled hole up to the insertion depth marking. When reaching the setting depth marking surplus mortar must emerge around the anchor.
-----------	---	--

<b>11</b>		Wait for the specified curing time $t_{cure}$ see Table B6.
-----------	---	---

<b>12</b>		Mounting the fixture $T_{inst,max}$ see Table B4
-----------	---	---

**fischer Injectionsystem FIS GREEN**

Intended Use  
Installation instructions part 2

**Annex B 8**



**Table C1: Characteristic values of resistance for threaded rods under tension loads in non-cracked concrete (Design according to TR 029)**

Anchor size			M8	M10	M12	M16	M20
Installation safety factor	$\gamma_2$	[-]	1,2				
<b>Combined pullout and concrete cone failure</b>							
Diameter for calculation	d	[mm]	8	10	12	16	20
Characteristic bond resistance in non-cracked concrete C20/25							
Temperature range I <sup>1)</sup>	$\tau_{Rk,ucr}$	[N/mm <sup>2</sup> ]	10,5	10,0	9,5	8,5	7,5
Temperature range II <sup>1)</sup>	$\tau_{Rk,ucr}$	[N/mm <sup>2</sup> ]	9,5	9,0	8,5	7,5	6,5
Increasing factor $\Psi_c$	C25/30	[-]	1,02				
	C30/37	[-]	1,04				
	C35/45	[-]	1,07				
	C40/50	[-]	1,08				
	C45/55	[-]	1,09				
	C50/60	[-]	1,10				
<b>Splitting failure</b>							
Edge distance $c_{cr,sp}$	$h/h_{ef} \geq 2,0$	[mm]	$1,0 h_{ef}$				
	$2,0 > h/h_{ef} > 1,3$	[mm]	$4,6 h_{ef} - 1,8 h$				
	$h/h_{ef} \leq 1,3$	[mm]	$2,26 h_{ef}$				
Spacing	$s_{cr,sp}$	[mm]	$2 c_{cr,sp}$				

<sup>1)</sup> See Annex B1

**fischer Injectionsystem FIS GREEN**

**Performances**

Characteristic values of resistance for threaded rods under tension load in non-cracked concrete. Design according to TR 029

**Annex C 1**

**Table C2: Characteristic values of resistance for internal threaded anchors RG MI under tension loads in non-cracked concrete (Design according to TR 029)**

Anchor size			M8	M10	M12	M16
Installation safety factor	$\gamma_2$	[-]	1,2			
<b>Steel failure</b>						
Characteristic resistance with screw $N_{Rk,s}$	Property class	5.8 [kN]	19	29	43	79
		8.8 [kN]	29	47	68	108
	Property class 70	A4 [kN]	26	41	59	110
Partial safety factor $\gamma_{Ms,N}^{1)}$	Property class	C [kN]	26	41	59	110
		5.8 [-]	1,50			
		8.8 [-]	1,50			
	Property class 70	A4 [-]	1,87			
		C [-]	1,87			
<b>Combined pullout and concrete cone failure</b>						
Characteristic bond resistance in non-cracked concrete C20/25						
Temperature range I <sup>2)</sup>	$N_{Rk,p}^0$	[kN]	32	38	56	76
Temperature range II <sup>2)</sup>	$N_{Rk,p}^0$	[kN]	30	35	51	70
Increasing factor $\Psi_c$	C25/30	[-]	1,02			
	C30/37	[-]	1,04			
	C35/45	[-]	1,07			
	C40/50	[-]	1,08			
	C45/55	[-]	1,09			
	C50/60	[-]	1,10			
<b>Splitting failure</b>						
Edge distance $c_{cr,sp}$	$h/h_{ef} \geq 2,0$	[mm]	1,0 $h_{ef}$			
	$2,0 > h/h_{ef} > 1,3$	[mm]	4,6 $h_{ef}$ – 1,8 h			
	$h/h_{ef} \leq 1,3$	[mm]	2,26 $h_{ef}$			
Spacing	$s_{cr,sp}$	[mm]	2 $c_{cr,sp}$			

<sup>1)</sup> In absence of other national regulations

<sup>2)</sup> See Annex B1

**fischer Injectionsystem FIS GREEN**

**Performances**

Characteristic values of resistance for internal threaded rods under tension load in non-cracked concrete. (Design according to TR 029)

**Annex C 2**

**Table C3: Characteristic values of resistance for reinforcing bars under tension loads in non-cracked concrete (Design according to TR 029)**

Size	Ø	[mm]	8	10	12	14	16	20
Installation safety factor	$\gamma_2$	[-]	1,2					
<b>Combined pullout and concrete cone failure</b>								
Diameter of calculation	d	[mm]	8	10	12	14	16	20
Characteristic bond resistance in non-cracked concrete C20/25								
Temperature range I <sup>2)</sup>	$\tau_{Rk,ucr}$	[N/mm <sup>2</sup> ]	7,5	7,5	7,5	7,5	7,5	7,5
Temperature range II <sup>2)</sup>	$\tau_{Rk,ucr}$	[N/mm <sup>2</sup> ]	6,5	6,5	6,5	6,5	6,5	6,5
Increasing factor $\Psi_c$	C25/30	[-]	1,02					
	C30/37	[-]	1,04					
	C35/45	[-]	1,07					
	C40/50	[-]	1,08					
	C45/55	[-]	1,09					
C50/60	[-]	1,10						
<b>Splitting failure</b>								
Edge distance $c_{cr,sp}$	$h/h_{ef} \geq 2,0$	[mm]	1,0 $h_{ef}$					
	$2,0 > h/h_{ef} > 1,3$	[mm]	4,6 $h_{ef} - 1,8 h$					
	$h/h_{ef} \leq 1,3$	[mm]	2,26 $h_{ef}$					
Spacing	$s_{cr,sp}$	[mm]	2 $c_{cr,sp}$					

<sup>1)</sup> In absence of other national regulations

<sup>2)</sup> See Annex B1

**Table C4: Characteristic values of resistance for rebar anchors FRA under tension loads in non-cracked concrete (Design according to TR 029)**

Size			M12	M16	M20
Installation safety factor	$\gamma_2$	[-]	1,2		
<b>Steel failure</b>					
Characteristic resistance	$N_{Rk,S}$	[kN]	63	111	173
Partial safety factor	$\gamma_{Ms,N}$ <sup>1)</sup>	[-]	1,40		
<b>Combined pullout and concrete cone failure</b>					
Diameter of calculation	d	[mm]	12	16	20
Characteristic bond resistance in non-cracked concrete C20/25					
Temperature range I <sup>2)</sup>	$\tau_{Rk,ucr}$	[N/mm <sup>2</sup> ]	7,5	7,5	7,5
Temperature range II <sup>2)</sup>	$\tau_{Rk,ucr}$	[N/mm <sup>2</sup> ]	6,5	6,5	6,5
Increasing factor $\Psi_c$	C25/30	[-]	1,02		
	C30/37	[-]	1,04		
	C35/45	[-]	1,07		
	C40/50	[-]	1,08		
	C45/55	[-]	1,09		
C50/60	[-]	1,10			
<b>Splitting failure</b>					
Edge distance $c_{cr,sp}$	$h/h_{ef} \geq 2,0$	[mm]	1,0 $h_{ef}$		
	$2,0 > h/h_{ef} > 1,3$	[mm]	4,6 $h_{ef} - 1,8 h$		
	$h/h_{ef} \leq 1,3$	[mm]	2,26 $h_{ef}$		
Spacing	$s_{cr,sp}$	[mm]	2 $c_{cr,sp}$		

<sup>1)</sup> In absence of other national regulations

<sup>2)</sup> See Annex B1

**fischer Injectionsystem FIS GREEN**

**Performances**

Characteristic values of resistance for reinforcing bars and rebar anchors FRA under tension load in non-cracked concrete. (Design according to TR 029)

**Annex C 3**

**Table C5: Characteristic values of resistance for threaded rods under shear loads in non-cracked concrete (Design according to TR 029)**

Size	M8	M10	M12	M16	M20
<b>Concrete pryout failure</b>					
Factor k in equation (5.7) of Technical Report TR 029, Section 5.2.3.3	k	[-]	2,0		

**Table C6: Characteristic values of resistance for internal threaded rods RG MI under shear loads in non-cracked concrete (Design according to TR 029)**

Size	M8	M10	M12	M16		
<b>Steel failure without lever arm</b>						
Characteristic resistance $V_{Rk,s}$	Property class	5.8 [kN]	9,2	14,5	21,1	39,2
		8.8 [kN]	14,6	23,2	33,7	62,7
	Property class 70	A4 [kN]	12,8	20,3	29,5	54,8
		C [kN]	12,8	20,3	29,5	54,8
<b>Steel failure with lever arm</b>						
Characteristic resistance $M^0_{Rk,s}$	Property class	5.8 [Nm]	20	39	68	173
		8.8 [Nm]	30	60	105	266
	Property class 70	A4 [Nm]	26	52	92	232
		C [Nm]	26	52	92	232
<b>Concrete pryout failure</b>						
Factor k in equation (5.7) of Technical Report TR 029, Section 5.2.3.3	k	[-]	2,0			

**fischer Injectionsystem FIS GREEN**

**Performances**  
Characteristic values of resistance for threaded rods and internal threaded anchors RG MI under shear loads in non-cracked concrete (Design according to TR 029)

**Annex C 4**

**Table C7: Characteristic values of resistance for reinforcing bars under shear loads in non-cracked concrete (Design according to TR 029)**

Size	Ø	[mm]	8	10	12	14	16	20
<b>Concrete pryout failure</b>								
Factor k in equation (5.7) of Technical Report TR 029, Section 5.2.3.3	k	[-]	2,0					

**Table C8: Characteristic values of resistance rebar anchors FRA under shear loads in non-cracked concrete (Design according to TR 029)**

Size			M12	M16	M20
<b>Steel failure without lever arm</b>					
Characteristic resistance	$V_{Rk,s}$	[kN]	30	55	86
<b>Steel failure with lever arm</b>					
Characteristic resistance	$M^0_{Rk,s}$	[Nm]	92	233	454
Partial safety factor	$\gamma_{Ms,V}$ <sup>1)</sup>	[-]	1,56		
<b>Concrete pryout failure</b>					
Factor k in equation (5.7) of Technical Report TR 029, Section 5.2.3.3	k	[-]	2,0		

<sup>1)</sup> In absence of other national regulations

**fischer Injectionsystem FIS GREEN**

**Performances**

Characteristic values of resistance for reinforcing bars and rebar anchors FRA under shear loads in non-cracked concrete (Design according to TR 029)

**Annex C 5**

**Table C9: Characteristic values of resistance for threaded rods under tension loads in non-cracked concrete (Design according to CEN/TS 1992-4)**

Anchor size			M8	M10	M12	M16	M20
Installation safety factor	$\gamma_{inst}$	[-]	1,2				
<b>Steel failure</b>							
Characteristic resistance	$N_{Rk,s}$	[kN]	$A_s \times f_{uk}$				
<b>Combined pullout and concrete cone failure</b>							
Diameter for calculation	d	[mm]	8	10	12	16	20
Characteristic bond resistance in non-cracked concrete C20/25							
Temperature range I <sup>1)</sup>	$\tau_{Rk,ucr}$	[N/mm <sup>2</sup> ]	10,5	10,0	9,5	8,5	7,5
Temperature range II <sup>1)</sup>	$\tau_{Rk,ucr}$	[N/mm <sup>2</sup> ]	9,5	9,0	8,5	7,5	6,5
Increasing factor $\Psi_c$	C25/30	[-]	1,02				
	C30/37	[-]	1,04				
	C35/45	[-]	1,07				
	C40/50	[-]	1,08				
	C45/55	[-]	1,09				
	C50/60	[-]	1,10				
Factor acc. CEN/TS-1992-4 Section 6.2.2.3	$k_8$	[-]	10,1				
<b>Splitting failure</b>							
Factor acc. CEN/TS-1992-4 Section 6.2.3.1	$k_{ucr}$	[-]	10,1				
Edge distance $c_{cr,sp}$	$h/h_{ef} \geq 2,0$	[mm]	$1,0 h_{ef}$				
	$2,0 > h/h_{ef} > 1,3$	[mm]	$4,6 h_{ef} - 1,8 h$				
	$h/h_{ef} \leq 1,3$	[mm]	$2,26 h_{ef}$				
Spacing	$s_{cr,sp}$	[mm]	$2 c_{cr,sp}$				

<sup>1)</sup> See Annex B1

**fischer Injectionsystem FIS GREEN**

**Performances**

Characteristic values of resistance for threaded rods under tension load in non-cracked concrete. Design according to CEN/TS-1992-4

**Annex C 6**

**Table C10: Characteristic values of resistance for internal threaded anchors RG MI under tension loads in non-cracked concrete (Design according to CEN/TS 1992-4)**

Anchor size			M8	M10	M12	M16	
Installation safety factor	$\gamma_{inst}$	[-]	1,2				
<b>Steel failure</b>							
Characteristic resistance with screw $N_{Rk,s}$	Property class	5.8	[kN]	19	29	43	79
		8.8	[kN]	29	47	68	108
	Property class 70	A4	[kN]	26	41	59	110
		C	[kN]	26	41	59	110
Partial safety factor $\gamma_{Ms,N}^{1)}$	Property class	5.8	[-]	1,50			
		8.8	[-]	1,50			
	Property class 70	A4	[-]	1,87			
		C	[-]	1,87			
<b>Combined pullout and concrete cone failure</b>							
Characteristic bond resistance in non-cracked concrete C20/25							
Temperature range I <sup>2)</sup>	$N_{Rk,p}^0$	[kN]	32	38	56	76	
Temperature range II <sup>2)</sup>	$N_{Rk,p}^0$	[kN]	30	35	51	70	
Increasing factor $\Psi_c$	C25/30	[-]	1,02				
	C30/37	[-]	1,04				
	C35/45	[-]	1,07				
	C40/50	[-]	1,08				
	C45/55	[-]	1,09				
	C50/60	[-]	1,10				
Factor acc. CEN/TS-1992-4-5:2009 Section 6.2.2.3	$k_g$	[-]	10,1				
<b>Splitting failure</b>							
Factor acc. CEN/TS-1992-4-5:2009 Section 6.2.3.1	$k_{ucr}$	[-]	10,1				
Edge distance $c_{cr,sp}$	$h/h_{ef} \geq 2,0$	[mm]	$1,0 h_{ef}$				
	$2,0 > h/h_{ef} > 1,3$	[mm]	$4,6 h_{ef} - 1,8 h$				
	$h/h_{ef} \leq 1,3$	[mm]	$2,26 h_{ef}$				
Spacing	$s_{cr,sp}$	[mm]	$2 c_{cr,sp}$				

<sup>1)</sup> In absence of other national regulations

<sup>2)</sup> See Annex B1

fischer Injectionsystem FIS GREEN

**Performances**

Characteristic values of resistance for internal threaded rods RG MI under tension load in non-cracked concrete. Design according to CEN/TS-1992-4

**Annex C 7**



**Table C11: Characteristic values of resistance for reinforcing bars under tension loads in non-cracked concrete (Design according to CEN/TS 1992-4)**

Size	Ø	[mm]	8	10	12	14	16	20
Installation safety factor	$\gamma_{inst}$	[-]	1,2					
<b>Steel failure</b>								
Characteristic resistance	$N_{Rk,s}$	[kN]	$A_s \times f_{uk}$					
<b>Combined pullout and concrete cone failure</b>								
Diameter of calculation	d	[mm]	8	10	12	14	16	20
Characteristic bond resistance in non-cracked concrete C20/25								
Temperature range I <sup>1)</sup>	$\tau_{Rk,ucr}$	[N/mm <sup>2</sup> ]	7,5	7,5	7,5	7,5	7,5	7,5
Temperature range II <sup>1)</sup>	$\tau_{Rk,ucr}$	[N/mm <sup>2</sup> ]	6,5	6,5	6,5	6,5	6,5	6,5
Increasing factor $\Psi_c$	C25/30	[-]	1,02					
	C30/37	[-]	1,04					
	C35/45	[-]	1,07					
	C40/50	[-]	1,08					
	C45/55	[-]	1,09					
	C50/60	[-]	1,10					
Factor acc. CEN/TS-1992-4-5:2009 Section 6.2.2.3	$k_8$	[-]	10,1					
<b>Splitting failure</b>								
Factor acc. CEN/TS-1992-4-5:2009 Section 6.2.3.1	$k_{ucr}$	[-]	10,1					
Edge distance $c_{cr,sp}$	$h/h_{ef} \geq 2,0$	[mm]	$1,0 h_{ef}$					
	$2,0 > h/h_{ef} > 1,3$	[mm]	$4,6 h_{ef} - 1,8 h$					
	$h/h_{ef} \leq 1,3$	[mm]	$2,26 h_{ef}$					
Spacing	$s_{cr,sp}$	[mm]	$2 c_{cr,sp}$					

<sup>1)</sup> See Annex B1

**fischer Injectionsystem FIS GREEN**

**Performances**

Characteristic values of resistance for reinforcing bars under tension load in non-cracked concrete. Design according to CEN/TS-1992-4

**Annex C 8**

**Table C12: Characteristic values of resistance for rebar anchors FRA under tension loads in non-cracked concrete (Design according to CEN/TS 1992-4)**

Size			M12	M16	M20
Installation safety factor	$\gamma_{inst}$	[-]	1,2		
<b>Steel failure</b>					
Characteristic resistance	$N_{Rk,s}$	[kN]	63	111	173
Partial safety factor	$\gamma_{Ms,N}$	[-]	1,40		
<b>Combined pullout and concrete cone failure</b>					
Diameter of calculation	d	[mm]	12	16	20
Characteristic bond resistance in non-cracked concrete C20/25					
Temperature range I <sup>2)</sup>	$\tau_{Rk,ucr}$	[N/mm <sup>2</sup> ]	7,5	7,5	7,5
Temperature range II <sup>2)</sup>	$\tau_{Rk,ucr}$	[N/mm <sup>2</sup> ]	6,5	6,5	6,5
Increasing factor $\Psi_c$	C25/30	[-]	1,02		
	C30/37	[-]	1,04		
	C35/45	[-]	1,07		
	C40/50	[-]	1,08		
	C45/55	[-]	1,09		
	C50/60	[-]	1,10		
Factor acc. CEN/TS-1992-4-5:2009 Section 6.2.2.3	$k_8$	[-]	10,1		
<b>Splitting failure</b>					
Factor acc. CEN/TS-1992-4-5:2009 Section 6.2.3.1	$k_{ucr}$	[-]	10,1		
Edge distance $c_{cr,sp}$	$h/h_{ef} \geq 2,0$	[mm]	$1,0 h_{ef}$		
	$2,0 > h/h_{ef} > 1,3$	[mm]	$4,6 h_{ef} - 1,8 h$		
	$h/h_{ef} \leq 1,3$	[mm]	$2,26 h_{ef}$		
Spacing	$s_{cr,sp}$	[mm]	$2 c_{cr,sp}$		

<sup>1)</sup> In absence of other national regulations

<sup>2)</sup> See Annex B1

**fischer Injectionsystem FIS GREEN**

**Performances**

Characteristic values of resistance for rebar anchors FRA under tension load in non-cracked concrete. Design according to CEN/TS-1992-4

**Annex C 9**

**Table C13: Characteristic values of resistance for threaded rods under shear loads in non-cracked concrete (Design according to CEN/TS 1992-4)**

Size			M8	M10	M12	M16	M20
Installation safety factor	$\gamma_{inst}$	[-]	1,0				
<b>Steel failure without lever arm</b>							
Characteristic resistance	$V_{Rk,s}$	[kN]	$0,5 A_s \times f_{uk}$				
Ductility factor acc. to CEN/TS 1992-4-5, Section 6.3.2.1	$k_2$	[-]	0,8				
<b>Steel failure with lever arm</b>							
Characteristic resistance	$M^0_{Rk,s}$	[Nm]	$1,2 \times W_{el} \times f_{uk}$				
<b>Concrete pryout failure</b>							
Factor in equation of CEN/TS 1992-4-5, Section 6.3.3	$k_3$	[-]	2,0				
<b>Concrete edge failure</b>							
Effective length of anchor	$l_f$	[mm]	$l_f = \min(h_{ef}, 8 d_{nom})$				
Outside diameter of anchor	$d_{nom}$	[mm]	8	10	12	16	20

**Table C14: Characteristic values of resistance for internal threaded rods RG MI under shear loads in non-cracked concrete (Design according to CEN/TS 1992-4)**

Size			M8	M10	M12	M16	
Installation safety factor	$\gamma_{inst}$	[-]	1,0				
<b>Steel failure without lever arm</b>							
Characteristic resistance $V_{Rk,s}$	Property class	5.8	[kN]	9,2	14,5	21,1	39,2
		8.8	[kN]	14,6	23,2	33,7	62,7
	Property class 70	A4	[kN]	12,8	20,3	29,5	54,8
		C	[kN]	12,8	20,3	29,5	54,8
Ductility factor acc. to CEN/TS 1992-4-5, Section 6.3.2.1	$k_2$	[-]	0,8				
<b>Steel failure with lever arm</b>							
Characteristic resistance $M^0_{Rk,s}$	Property class	5.8	[Nm]	20	39	68	173
		8.8	[Nm]	30	60	105	266
	Property class 70	A4	[Nm]	26	52	92	232
		C	[Nm]	26	52	92	232
<b>Concrete pryout failure</b>							
Factor in equation of CEN/TS 1992-4-5, Section 6.3.3	$k_3$	[-]	2,0				
<b>Concrete edge failure</b>							
Effective length of anchor	$l_f$	[mm]	90	90	125	160	
Outside diameter of anchor	$d_{nom}$	[mm]	12	16	18	22	

**fischer Injectionsystem FIS GREEN**

**Performances**

Characteristic values of resistance for threaded rods and internal threaded anchors RG MI under shear loads in non-cracked concrete (Design according to CEN/TS

**Annex C 10**

**Table C15: Characteristic values of resistance for reinforcing bars under shear loads in non-cracked concrete (Design according to CEN/TS 1992-4)**

Size	Ø d	[mm]	8	10	12	14	16	20
Installation safety factor	$\gamma_{inst}$	[-]	1,0					
<b>Steel failure without lever arm</b>								
Characteristic resistance	$V_{Rk,s}$	[kN]	0,5 $A_s \times f_{uk}$					
Ductility factor acc. to CEN/TS 1992-4-5, Section 6.3.2.1	$k_2$	[-]	0,8					
<b>Steel failure with lever arm</b>								
Characteristic resistance	$M^0_{Rk,s}$	[Nm]	1,2 x $W_{el} \times f_{uk}$					
<b>Concrete pryout failure</b>								
Factor in equation of CEN/TS 1992-4-5, Section 6.3.3	$k_3$	[-]	2,0					
<b>Concrete edge failure</b>								
Effective length of anchor	$l_f$	[mm]	$l_f = \min(h_{ef}, 8d_{nom})$					
Outside diameter of anchor	$d_{nom}$	[mm]	8	10	12	14	16	20

**Table C16: Characteristic values of resistance rebar anchors FRA under shear loads in non-cracked concrete (Design according to CEN/TS 1992-4)**

Size			M12	M16	M20
Installation safety factor	$\gamma_{inst}$	[-]	1,0		
<b>Steel failure without lever arm</b>					
Characteristic resistance	$V_{Rk,s}$	[kN]	30	55	86
Ductility factor acc. to CEN/TS 1992-4-5, Section 6.3.2.1	$k_2$	[-]	0,8		
<b>Steel failure with lever arm</b>					
Characteristic resistance	$M^0_{Rk,s}$	[Nm]	92	233	454
Partial safety factor	$\gamma_{Ms,V}$ <sup>1)</sup>	[-]	1,56		
<b>Concrete pryout failure</b>					
Factor in equation of CEN/TS 1992-4-5, Section 6.3.3	$k_3$	[-]	2,0		
<b>Concrete edge failure</b>					
Effective length of anchor	$l_f$	[mm]			
Outside diameter of anchor	$d_{nom}$	[mm]	12	16	20

<sup>1)</sup> In absence of other national regulations

**fischer Injectionsystem FIS GREEN**

**Performances**

Characteristic values of resistance for reinforcing bars and rebar anchors FRA under shear loads in non-cracked concrete (Design according to CEN/TS 1992-4)

**Annex C 11**

**Table C17: Displacements under tension load<sup>1)</sup> for threaded rods**

Size		M8	M10	M12	M16	M20
<b>Temperature range I and II</b>						
$\delta_{N0}$ -Factor	[mm/(N/mm <sup>2</sup> )]	0,09	0,09	0,10	0,11	0,11
$\delta_{N\infty}$ -Factor	[mm/(N/mm <sup>2</sup> )]	0,14	0,14	0,15	0,17	0,17

<sup>1)</sup> Calculation of the displacement

$$\delta_{N0} = \delta_{N0}\text{-Factor} \cdot \tau$$

$$\delta_{N\infty} = \delta_{N\infty}\text{-Factor} \cdot \tau$$

**Table C18: Displacements under shear load<sup>1)</sup> for threaded rods**

Size		M8	M10	M12	M16	M20
<b>Temperature range I and II</b>						
$\delta_{V0}$ -Factor	[mm/kN]	0,18	0,15	0,12	0,09	0,07
$\delta_{V\infty}$ -Factor	[mm]	0,27	0,22	0,18	0,14	0,11

<sup>1)</sup> Calculation of the displacement

$$\delta_{N0} = \delta_{N0}\text{-Factor} \cdot V$$

$$\delta_{N\infty} = \delta_{N\infty}\text{-Factor} \cdot V$$

**Table C19: Displacements under tension load<sup>1)</sup> for internal threaded anchors RG MI**

Size		M8	M10	M12	M16
<b>Temperature range I and II</b>					
$\delta_{N0}$ -Factor	[mm/(N/mm <sup>2</sup> )]	0,10	0,11	0,12	0,12
$\delta_{N\infty}$ -Factor	[mm/(N/mm <sup>2</sup> )]	0,15	0,17	0,18	0,18

<sup>1)</sup> Calculation of the displacement

$$\delta_{N0} = \delta_{N0}\text{-Factor} \cdot \tau$$

$$\delta_{N\infty} = \delta_{N\infty}\text{-Factor} \cdot \tau$$

**Table C20: Displacements under shear load<sup>1)</sup> for internal threaded anchors RG MI**

Size		M8	M10	M12	M16
<b>Temperature range I and II</b>					
$\delta_{V0}$ -Factor	[mm/kN]	0,18	0,15	0,12	0,09
$\delta_{V\infty}$ -Factor	[mm/kN]	0,27	0,22	0,18	0,14

<sup>1)</sup> Calculation of the displacement

$$\delta_{N0} = \delta_{N0}\text{-Factor} \cdot V$$

$$\delta_{N\infty} = \delta_{N\infty}\text{-Factor} \cdot V$$

**fischer Injectionsystem FIS GREEN**

**Performances**  
Displacements threaded rods and internal threaded anchor

**Annex C 12**

**Table C21: Displacements under tension load<sup>1)</sup> for reinforcing bars**

Size	Ø	[mm]	8	10	12	14	16	20
<b>Temperature range I and II</b>								
δ <sub>N0</sub> -Factor		[mm/(N/mm <sup>2</sup> )]	0,09	0,09	0,10	0,11	0,12	0,13
δ <sub>N∞</sub> -Factor		[mm/(N/mm <sup>2</sup> )]	0,13	0,14	0,16	0,16	0,18	0,20

<sup>1)</sup> Calculation of the displacement

$$\delta_{N0} = \delta_{N0}\text{-Factor} \cdot \tau$$

$$\delta_{N\infty} = \delta_{N\infty}\text{-Factor} \cdot \tau$$

**Table C22: Displacements under shear load<sup>1)</sup> for reinforcing bars**

Size	Ø	[mm]	8	10	12	14	16	20
<b>Temperature range I (-40°C / +40°C) and temperature range II (-40°C / +80°C)</b>								
δ <sub>V0</sub> -Factor		[mm/kN]	0,18	0,15	0,12	0,10	0,09	0,07
δ <sub>V∞</sub> -Factor		[mm/kN]	0,27	0,22	0,18	0,16	0,14	0,11

<sup>1)</sup> Calculation of the displacement

$$\delta_{N0} = \delta_{N0}\text{-Factor} \cdot V$$

$$\delta_{N\infty} = \delta_{N\infty}\text{-Factor} \cdot V$$

**Table C23: Displacements under tension load<sup>1)</sup> for rebar anchor FRA**

Size	Ø	[mm]	M10	M12	M16
<b>Temperature range I and II</b>					
δ <sub>N0</sub> -Factor		[mm/(N/mm <sup>2</sup> )]	0,09	0,10	0,12
δ <sub>N∞</sub> -Factor		[mm/(N/mm <sup>2</sup> )]	0,14	0,16	0,18

<sup>1)</sup> Calculation of the displacement

$$\delta_{N0} = \delta_{N0}\text{-Factor} \cdot \tau$$

$$\delta_{N\infty} = \delta_{N\infty}\text{-Factor} \cdot \tau$$

**Table C24: Displacements under shear load<sup>1)</sup> for rebar anchor FRA**

Size	Ø	[mm]	M10	M12	M16
<b>Temperature range I and II</b>					
δ <sub>V0</sub> -Factor		[mm/kN]	0,15	0,12	0,09
δ <sub>V∞</sub> -Factor		[mm/kN]	0,22	0,18	0,14

<sup>1)</sup> Calculation of the displacement

$$\delta_{N0} = \delta_{N0}\text{-Factor} \cdot V$$

$$\delta_{N\infty} = \delta_{N\infty}\text{-Factor} \cdot V$$

**fischer Injectionsystem FIS GREEN**

**Performances**  
Displacements reinforcing bars and rebar anchor FRA

**Annex C 13**