

Approval body for construction products  
and types of construction

Bautechnisches Prüfamt

An institution established by the Federal and  
Laender Governments



## European Technical Assessment

**ETA-13/1038**  
**of 20 May 2015**

English translation prepared by DIBt - Original version in German language

### General Part

Technical Assessment Body issuing the  
European Technical Assessment:

Deutsches Institut für Bautechnik

Trade name of the construction product

Hilti screw anchor HUS3

Product family  
to which the construction product belongs

Concrete screw of sizes 8, 10 and 14 for use in concrete

Manufacturer

Hilti Aktiengesellschaft  
9494 SCHAAN  
FÜRSTENTUM LIECHTENSTEIN

Manufacturing plant

Hilti Werke

This European Technical Assessment  
contains

17 pages including 3 annexes

This European Technical Assessment is  
issued in accordance with Regulation (EU)  
No 305/2011, on the basis of

Guideline for European technical approval of "Metal  
anchors for use in concrete", ETAG 001 Part 3: "Undercut  
anchors", amended version April 2013, used as European  
Assessment Document (EAD) according to Article 66  
Paragraph 3 of Regulation (EU) No 305/2011 and  
EAD 330011-00-0601 "Adjustable concrete screws",  
July 2014

This version replaces

ETA-13/1038 issued on 13 January 2015

The European Technical Assessment is issued by the Technical Assessment Body in its official language. Translations of this European Technical Assessment in other languages shall fully correspond to the original issued document and shall be identified as such.

Communication of this European Technical Assessment, including transmission by electronic means, shall be in full. However, partial reproduction may only be made with the written consent of the issuing Technical Assessment Body. Any partial reproduction has to be identified as such.

This European Technical Assessment may be withdrawn by the issuing Technical Assessment Body, in particular pursuant to information by the Commission according to Article 25 Paragraph 3 of Regulation (EU) No 305/2011.

**Specific Part**

**1 Technical description of the product**

The Hilti screw anchor HUS 3 is made of galvanised steel of sizes 8, 10 and 14. The anchor may be provided with hexagon head (HUS 3 H) or with countersunk head (HUS 3 C). The anchor is screwed into a predrilled cylindrical drill hole. The special thread of the anchor cuts an internal thread into the member while setting. The anchorage is characterised by mechanical interlock in the special thread.

An illustration of the product and intended use is given in A.

**2 Specification of the intended use in accordance with the applicable EAD**

The performances given in Section 3 are only valid if the anchor is used in compliance with the specifications and conditions given in Annex B.

The verifications and assessment methods on which this European Technical Assessment is based lead the assumption of working life of the anchor of 50 years. The indications given on the working life cannot be interpreted as a guarantee given by the producer, but are to be regarded only as a means for choosing the right products in relation to the expected economically reasonable working life of the works.

**3 Performance of the product and references to the methods used for its assessment**

**3.1 Mechanical resistance and stability (BWR 1)**

Essential characteristic	Performance
Product performance for static and quasi static action	See Annex C 1
Product performance for seismic category C1	See Annex C 2
Displacements under tension and shear load	See Annex C 5

**3.2 Safety in case of fire (BWR 2)**

Essential characteristic	Performance
Reaction to fire	Anchorage satisfy requirements for Class A1
Product performance for resistance to fire	See Annex C 3 / C 4

**3.3 Hygiene, health and the environment (BWR 3)**

Regarding dangerous substances there may be requirements (e.g. transposed European legislation and national laws, regulations and administrative provisions) applicable to the products falling within the scope of this European Technical Assessment. In order to meet the provisions of Regulation (EU) No 305/2011, these requirements need also to be complied with, when and where they apply.

English translation prepared by DIBt

**3.4 Safety and accessibility in use (BWR 4)**

For Basic requirement Safety in use the same criteria are valid as for Basic Requirement Mechanical resistance and stability.

**3.5 Protection against noise (BWR 5)**

Not relevant.

**3.6 Energy economy and heat retention (BWR 6)**

Not relevant.

**3.7 Sustainable use of natural resources (BWR 7)**

For the sustainable use of natural resources no performance was determined for this product.

**3.8 General aspects**

The verification of durability is part of testing the essential characteristics. Durability is only ensured if the specifications of intended use according to Annex B are taken into account.

**4 Assessment and verification of constancy of performance (AVCP) system applied, with reference to its legal base**

According to Decision 96/582/EC of the Commission of 24 June 1996 (Official Journal of the European Communities L 254 of 08.10.1996, p. 62–65) the system of assessment and verification of constancy of performance (see Annex V and Article 65 Paragraph 2 to Regulation (EU) No 305/2011) given in the following table apply.

Product	Intended use	Level or class	System
Metal anchors for use in concrete (heavy-duty type)	For fixing and/or supporting concrete structural elements or heavy units such as cladding and suspended ceilings	—	1

**5 Technical details necessary for the implementation of the AVCP system, as provided for in the applicable EAD**

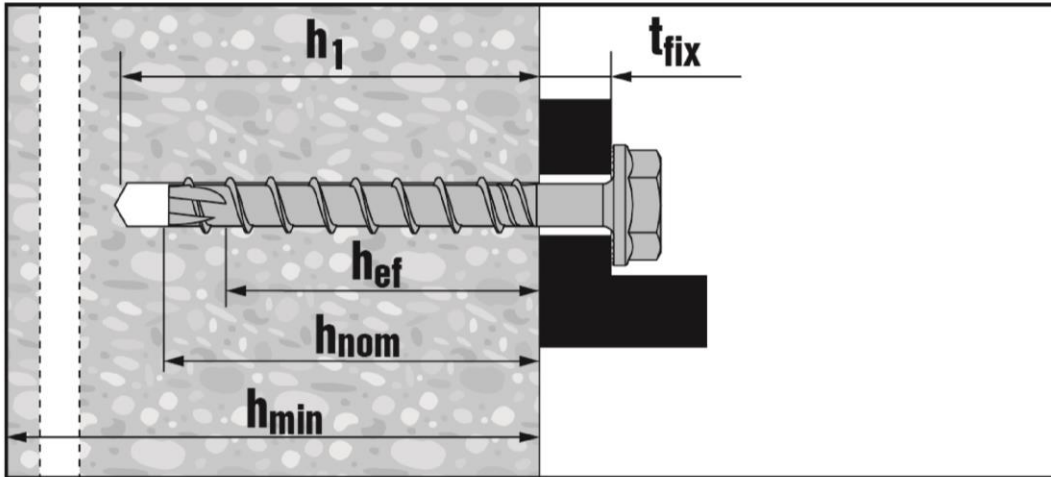
Technical details necessary for the implementation of the AVCP system are laid down in the control plan deposited at Deutsches Institut für Bautechnik.

Issued in Berlin on 20 May 2015 by Deutsches Institut für Bautechnik

Uwe Bender  
Head of Department

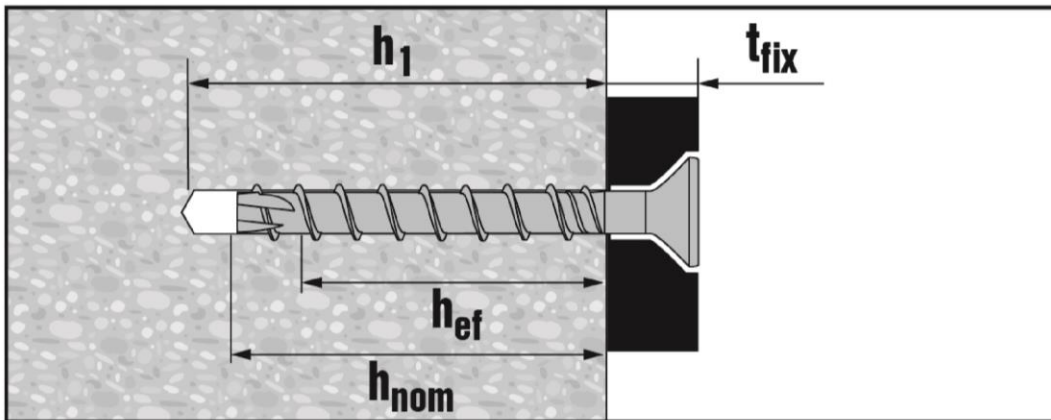
*beglaubigt:*  
Lange

**Product and installed condition without adjustment**



**HUS3-H (hexagon head configuration sizes 8, 10 and 14)**

**HUS3-HF (hexagon head configuration sizes 8, 10 and 14)**



**HUS3-C (countersunk head configuration sizes 8 and 10)**

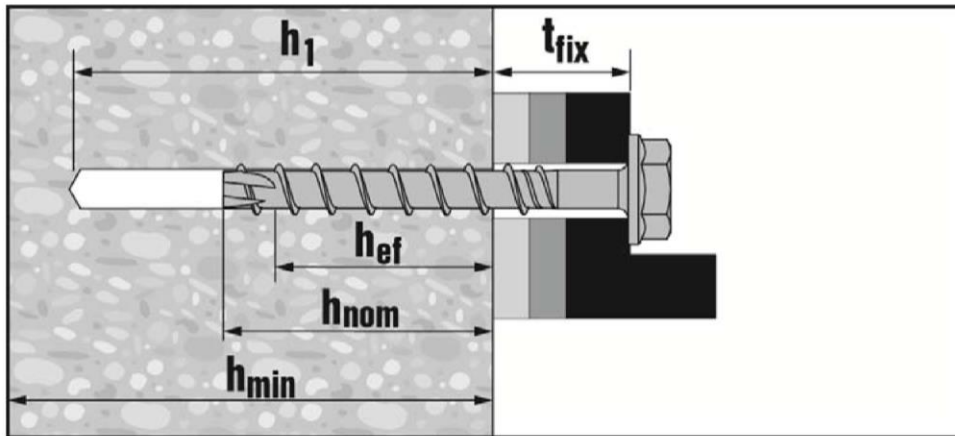
electronic copy of the eta by dibt: eta-13/1038

**Hilti Screw anchor HUS3**

**Product description**  
Installed condition without adjustment

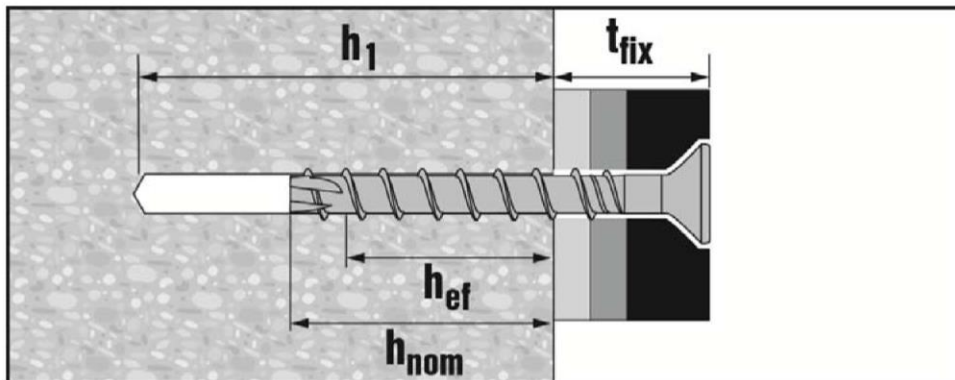
**Annex A 1**

**Product and installed condition with adjustment**



**HUS3-H (hexagon head configuration sizes 8, 10 –  $h_{nom2}$  only)**

**HUS3-HF (hexagon head configuration sizes 8 and 10 –  $h_{nom2}$  only)**



**HUS3-C (countersunk head configuration sizes 8 and 10 –  $h_{nom2}$  only)**

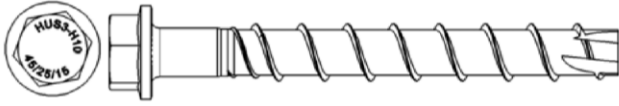
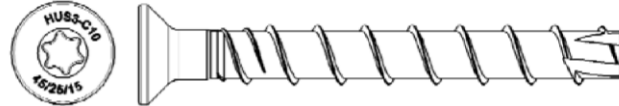
**Hilti Screw anchor HUS3**

**Product description**

Installed condition with adjustment

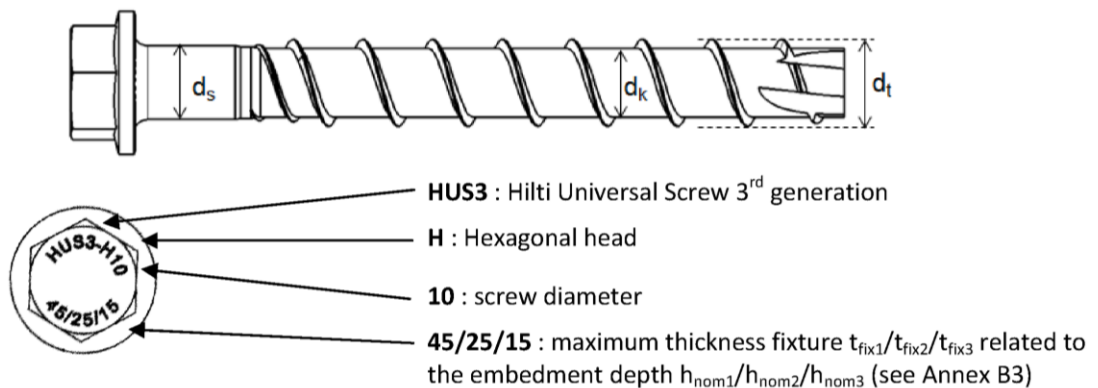
**Annex A 2**

**Table A1: Material and screw types**

Part	Designation	Material																								
1, 2, 3	Screw anchor	Carbon steel																								
<table border="1"> <thead> <tr> <th colspan="3">Anchor size HUS3</th> <th>8</th> <th>10</th> <th>14</th> </tr> </thead> <tbody> <tr> <td>Characteristic yield strength</td> <td><math>f_{yk}</math></td> <td>[N/mm<sup>2</sup>]</td> <td>695</td> <td>690</td> <td>630</td> </tr> <tr> <td>Characteristic ultimate strength</td> <td><math>f_{uk}</math></td> <td>[N/mm<sup>2</sup>]</td> <td>810</td> <td>805</td> <td>730</td> </tr> <tr> <td>Elongation at rupture</td> <td><math>A_5</math></td> <td>[%]</td> <td colspan="3">≤8</td> </tr> </tbody> </table>			Anchor size HUS3			8	10	14	Characteristic yield strength	$f_{yk}$	[N/mm <sup>2</sup> ]	695	690	630	Characteristic ultimate strength	$f_{uk}$	[N/mm <sup>2</sup> ]	810	805	730	Elongation at rupture	$A_5$	[%]	≤8		
Anchor size HUS3			8	10	14																					
Characteristic yield strength	$f_{yk}$	[N/mm <sup>2</sup> ]	695	690	630																					
Characteristic ultimate strength	$f_{uk}$	[N/mm <sup>2</sup> ]	810	805	730																					
Elongation at rupture	$A_5$	[%]	≤8																							
 <p>1) Hilti HUS3-H, hexagonal head configuration, galvanized</p> <p>2) Hilti HUS3-HF, hexagonal head configuration, multilayer coating</p>																										
 <p>3) Hilti HUS3-C, countersunk head configuration, galvanized</p>																										

**Table A2: Specification and marking**

Anchor Size			8			10			14		
Anchor type			H, HF, C			H, HF, C			H, HF		H
			$h_{nom1}$	$h_{nom2}$	$h_{nom3}$	$h_{nom1}$	$h_{nom2}$	$h_{nom3}$	$h_{nom1}$	$h_{nom2}$	$h_{nom3}$
Nominal embedment depth	$h_{nom}$	[mm]	50	60	70	55	75	85	65	85	115
Threaded outer diameter	$d_t$	[mm]	10,30			12,40			16,85		
Core diameter	$d_k$	[mm]	7,85			9,90			12,95		
Shaft diameter	$d_s$	[mm]	8,45			10,55			13,80		
Stressed section	$A_s$	[mm <sup>2</sup> ]	48,4			77,0			131,7		



**Hilti Screw anchor HUS3**

**Production description**  
Material and screw types

**Annex A 3**

## Intended use

### Anchorage subject to:

- Static and quasi-static loads:  
All sizes and all embedment depths.
- Seismic action for Performance Category C1:  
HUS3-H all sizes, maximum embedment depth only ( $h_{nom3}$ ).  
HUS3-C and HUS3-HF sizes 8 and 10, maximum embedment depth only ( $h_{nom3}$ ).
- Fire exposure: HUS3-H, HUS3-HF and HUS3-C all sizes and all embedment depths.

### Base materials:

- Reinforced or unreinforced normal weight concrete according to EN 206-1:2000,
- Strength classes C20/25 to C50/60 according to EN 206-1:2000,
- Non-cracked or cracked concrete: all sizes and all embedment depths.

### Use conditions (Environmental conditions)

- Anchorages subject to dry internal conditions.

### Design:

- Anchorages are designed under the responsibility of an engineer experienced in anchorages and concrete work.
- Verifiable calculation notes and drawings are prepared taking account of the loads to be anchored. The position of the anchor is indicated on the design drawings (e.g. position of the anchor relative to reinforcement or to supports, etc.).
- Anchorages under static or quasi-static actions and under fire exposure are designed for design method A in accordance with:
  - Either ETAG 001, Annex C, Edition August 2010 and EOTA Technical Report TR 020, Edition May 2004
  - Or CEN/TS 1992-4:2009
- Anchorages under seismic actions are designed in accordance with:
  - EOTA Technical Report TR 045, Edition February 2013
  - Anchorages shall be positioned outside of critical regions (e.g. plastic hinges) of the concrete structure.
  - Fastenings in stand-off installation or with a grout layer are not allowed.
- In case of requirements for resistance to fire exposure it must be ensured that local spalling of the concrete cover does not occur.

### Installation:

- Hammer drilling only: all sizes and all embedment depths.
- Anchor installation carried out by appropriately qualified personnel and under the supervision of the person responsible for technical matters of the site.
- In case of aborted hole: new drilling at a minimum distance away of twice the depth of the aborted hole or smaller distance if the aborted hole is filled with high strength mortar and if under shear or oblique tension load it is not the direction of the load application.
- After installation further turning of the anchor must not be possible.
- The head of the anchor must be supported on the fixture and is not damaged.
- Adjustability according to Annex B5 for:
  - HUS3-H, HUS3-HF and HUS3-C size 8 ( $h_{nom2} = 60$  mm)
  - HUS3-H, HUS3-HF and HUS3-C size 10 ( $h_{nom2} = 75$  mm)

## Hilti Screw anchor HUS3

Intended Use  
Specifications

Annex B 1



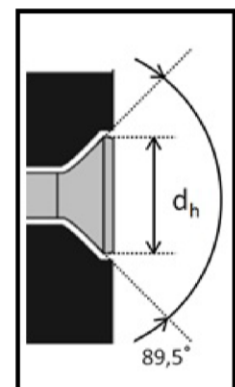
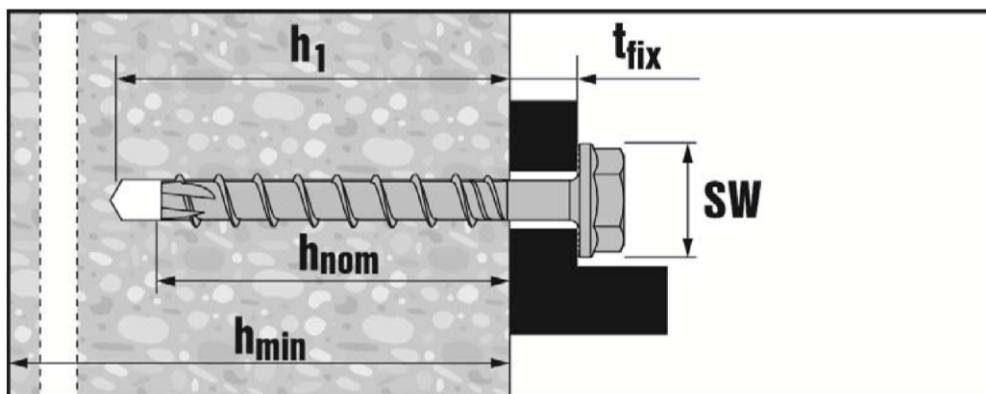
**Table B1: Installation parameters**

Anchor size HUS3			8			10			14		
			$h_{nom1}$	$h_{nom2}$	$h_{nom3}$	$h_{nom1}$	$h_{nom2}$	$h_{nom3}$	$h_{nom1}$	$h_{nom2}$	$h_{nom3}$
Nominal embedment depth	$h_{nom}$	[mm]	50	60	70	55	75	85	65	85	115
Nominal drill hole diameter	$d_0$	[mm]	8			10			14		
Cutting diameter of drill bit	$d_{cut} \leq$	[mm]	8,45			10,45			14,50		
Clearance hole diameter	$d_f \leq$	[mm]	12			14			18		
Wrench size (H-type)	SW	[mm]	13			15			21		
Diameter of countersunk head	$d_h$	[mm]	18			21			-		
Torx size (C-type)	T	-	45			50			-		
Depth of drill hole	$h_1 \geq$	[mm]	60	70	80	65	85	95	75	95	125
Depth of drill hole (with adjustability setting process)	$h_1 \geq$	[mm]	-	80	-	-	95	-	-	-	-
Setting tool <sup>1)</sup>	Strength class	C20/25	Hilti SIW 14 A or Hilti SIW 22 A or Hilti SIW 22 T-A			Hilti SIW 22 A or Hilti SIW 22 T-A			Hilti SIW 22 T-A		
		> C20/25	Hilti SIW 22 T-A								

<sup>1)</sup> Installation with other impact screw driver of equivalent power is possible

**Table B2: Minimum thickness of concrete member, minimum edge distance and spacing**

Anchor size HUS3			8			10			14		
			$h_{nom1}$	$h_{nom2}$	$h_{nom3}$	$h_{nom1}$	$h_{nom2}$	$h_{nom3}$	$h_{nom1}$	$h_{nom2}$	$h_{nom3}$
Nominal embedment depth	$h_{nom}$	[mm]	50	60	70	55	75	85	65	85	115
Minimum thickness of concrete member	$h_{min}$	[mm]	100	100	120	100	130	140	120	160	200
Cracked and non-cracked concrete	Minimum spacing	$s_{min}$	40	50	50	50	50	60	60	75	75
	Minimum edge distance	$c_{min}$	50	50	50	50	50	60	60	75	75



**Hilti Screw anchor HUS3**

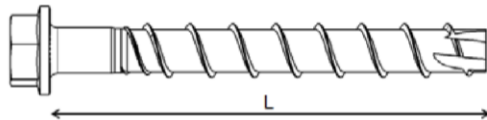
Intended Use  
Installation parameter

**Annex B 2**

**Table B3: Screw length and maximum thickness of fixture for HUS3-H and HUS3-HF<sup>1)</sup>**

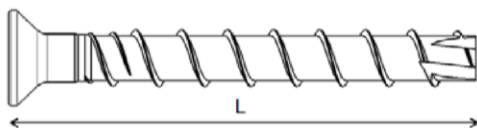
Anchor size	8			10			14		
	$h_{nom1}$ 50	$h_{nom2}$ 60	$h_{nom3}$ 70	$h_{nom1}$ 55	$h_{nom2}$ 75	$h_{nom3}$ 85	$h_{nom1}$ 65	$h_{nom2}$ 85	$h_{nom3}$ 115
Nominal embedment depth [mm]	Thickness of fixture [mm]								
Length of screw [mm]	$t_{fix1}$	$t_{fix2}$	$t_{fix3}$	$t_{fix1}$	$t_{fix2}$	$t_{fix3}$	$t_{fix1}$	$t_{fix2}$	$t_{fix3}$
55	5	-	-	-	-	-	-	-	-
60	-	-	-	5	-	-	-	-	-
65	15	5	-	-	-	-	-	-	-
70	-	-	-	15	-	-	-	-	-
75	25	15	5	-	-	-	10	-	-
80	-	-	-	25	5	-	-	-	-
85	35	25	15	-	-	-	-	-	-
90	-	-	-	35	15	5	-	-	-
100	50	40	30	45	25	15	35	15	-
110	-	-	-	55	35	25	-	-	-
120	70	60	50	-	-	-	-	-	-
130	-	-	-	75	55	45	65	45	15
150	100	90	80	95	75	65	85	65	35

1) HUS3-HF available for size 14 with  $h_1$  and  $h_2$  only



**Table B4: Screw length and maximum thickness of fixture for HUS3-C**

Anchor size	8			10		
	$h_{nom1}$ 50	$h_{nom2}$ 60	$h_{nom3}$ 70	$h_{nom1}$ 55	$h_{nom2}$ 75	$h_{nom3}$ 85
Nominal embedment depth [mm]	Thickness of fixture [mm]					
Length of screw [mm]	$t_{fix1}$	$t_{fix2}$	$t_{fix3}$	$t_{fix1}$	$t_{fix2}$	$t_{fix3}$
65	15	5	-	-	-	-
70	-	-	-	15	-	-
75	25	15	-	-	-	-
85	35	25	15	-	-	-
90	-	-	-	35	15	-
100	-	-	-	45	25	15

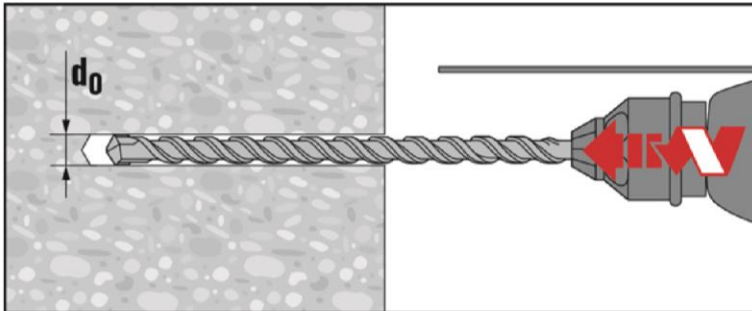


**Hilti Screw anchor HUS3**

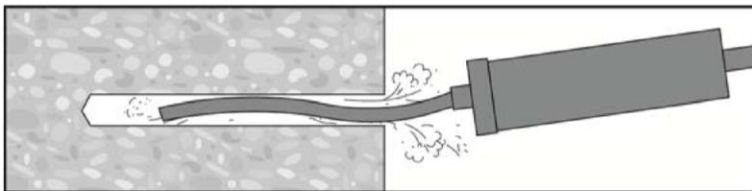
**Intended Use**  
Installation parameters

**Annex B 3**

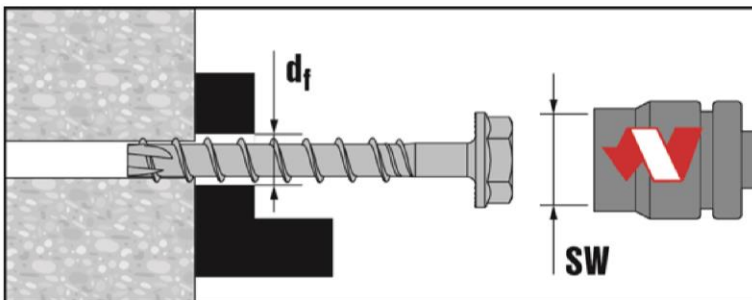
### Installation instruction without adjustment



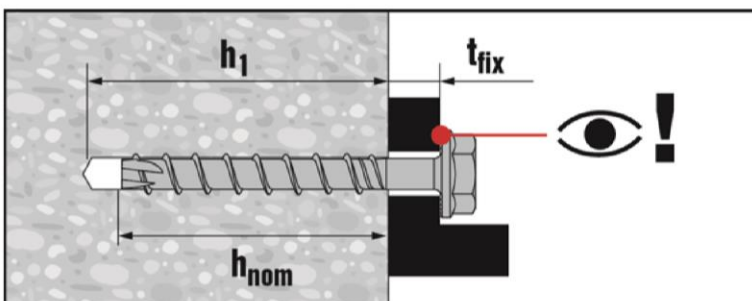
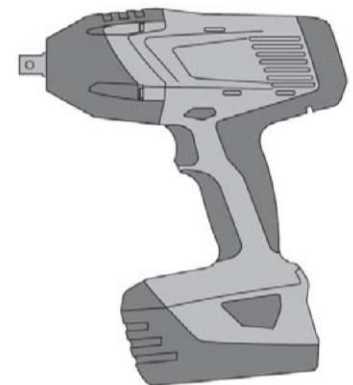
Make a cylindrical hole



Clean the borehole



Install the screw anchor by impact screw driver



Ensure that the head of the anchor is fully supported on the fixture and it is not damaged.

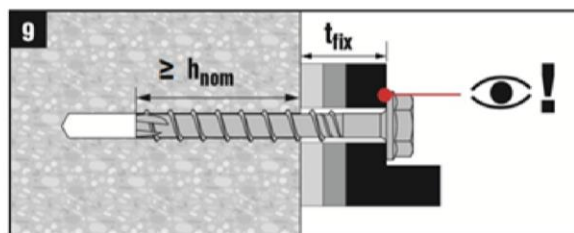
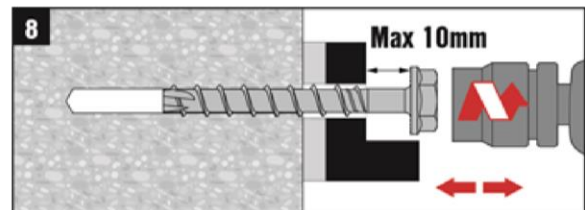
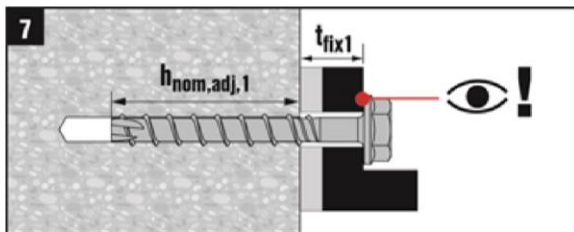
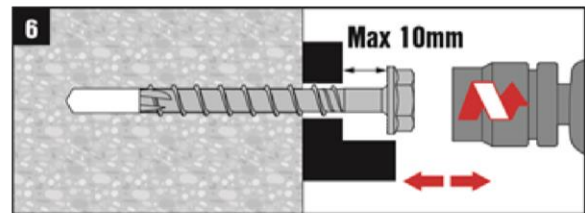
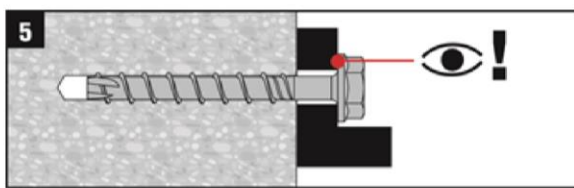
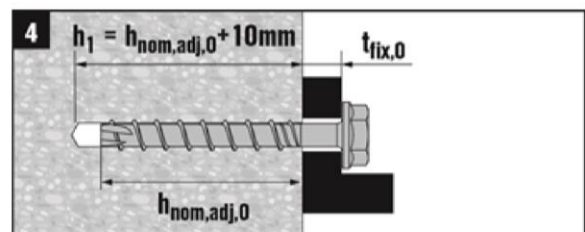
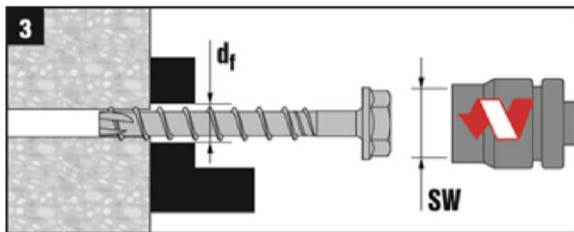
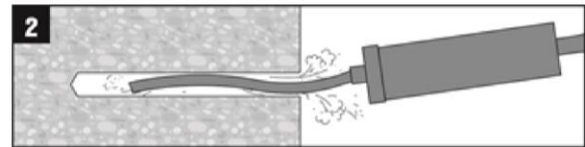
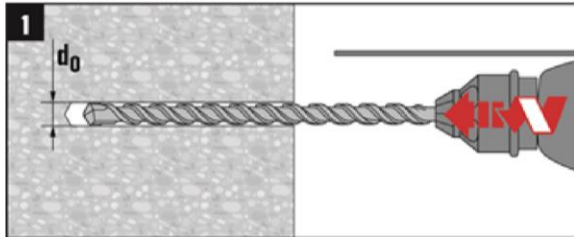
**Hilti Screw anchor HUS3**

**Intended Use**

Installation Instruction without adjustment

**Annex B 4**

### Installation instruction with adjustment



The anchor can be adjusted maximum two times.

The total allowed thickness of shims added during the adjustment process is 10mm.

The final embedment depth after adjustment process must be larger or equal than  $h_{nom2}$ .

#### Hilti Screw anchor HUS3

Intended Use  
Installation instruction with adjustment

Annex B 5

**Table C1: Product performance for static and quasi-static action**

Anchor size HUS3			8			10			14		
			$h_{nom1}$	$h_{nom2}$	$h_{nom3}$	$h_{nom1}$	$h_{nom2}$	$h_{nom3}$	$h_{nom1}$	$h_{nom2}$	$h_{nom3}$
Nominal embedment depth	$h_{nom}$	[mm]	50	60	70	55	75	85	65	85	115
<b>Adjustment</b>											
Total max. thickness of adjustment layers	$t_{adj}$	[mm]	-	10	-	-	10	-	-	-	-
Max. number of adjustments	$n_a$	[-]	-	2	-	-	2	-	-	-	-
<b>Steel failure for tension and shear load</b>											
Characteristic resistance	$N_{Rk,s}$	[kN]	39,2			62,2			96,6		
	$V_{Rk,s}$	[kN]	17			28			45		
	$k_z^{2)}$	[-]				0,8					
	$M_{Rk,s}^0$	[Nm]	46			92			187		
<b>Pull-out failure</b>											
Characteristic resistance in non-cracked concrete C20/25	$N_{Rk,p}$	[kN]	9	12	16	12	20	<sup>1)</sup>	<sup>1)</sup>	<sup>1)</sup>	<sup>1)</sup>
Characteristic resistance in cracked concrete C20/25	$N_{Rk,p}$	[kN]	6	9	12	<sup>1)</sup>	<sup>1)</sup>	<sup>1)</sup>	<sup>1)</sup>	<sup>1)</sup>	<sup>1)</sup>
Increasing factor concrete	C30/37	$\psi_c$	[-]	1,22							
	C40/50			1,41							
	C50/60			1,55							
<b>Concrete cone and splitting failure</b>											
Effective embedment depth	$h_{ef}$	[mm]	40	46,4	54,9	41,6	58,6	67,1	49,3	66,3	91,8
Factor for	Cracked	$k_{cr}^{2)}$	7,2								
	Non-cracked	$k_{ucr}^{2)}$	10,1								
Concrete cone failure	Edge distance	$c_{cr,N}$	$1,5 h_{ef}$								
	Spacing	$s_{cr,N}$	$3 h_{ef}$								
Splitting failure	Edge distance	$c_{cr,sp}$	60	70	85	65	90	110	85	100	140
	Spacing	$s_{cr,sp}$	120	140	170	130	180	220	170	200	280
Installation safety factor	$\gamma_2^{3)} = \gamma_{inst}^{2)}$	[-]	1,0								
<b>Concrete pry-out failure</b>											
k factor	$k^{3)} = k_3^{2)}$	[-]	1,0	2,0	1,0	2,0					
<b>Concrete edge failure</b>											
Effective length of anchor	$l_f = h_{ef}$	[-]	40	46,4	54,9	41,6	58,6	67,1	49,3	66,3	91,8
Outside diameter of anchor	$d_{nom}$	[mm]	8			10			14		

<sup>1)</sup> Pull-out failure is not decisive

<sup>2)</sup> Parameters relevant only for design according to CEN/TS 1992-4:2009

<sup>3)</sup> Parameter relevant only for design according to ETAG001 Annex C

**Hilti Screw anchor HUS3**

**Product Performance**  
For static and quasi-static action

**Annex C 1**

**Table C2: Product performance for seismic category C1**

Anchor size HUS3			8	10	14
			$h_{nom3}$	$h_{nom3}$	$h_{nom3}$
Nominal embedment depth	$h_{nom}$	[mm]	70	85	115
<b>Steel failure for tension and shear load</b>					
Characteristic resistance	$N_{Rk,s,seis}$	[kN]	39,2	62,2	96,6
	$V_{Rk,s,seis}$	[kN]	11,9	16,8	22,5
<b>Pull-out failure</b>					
Characteristic resistance in cracked concrete	$N_{Rk,p,seis}$	[kN]	12	1)	1)
<b>Concrete cone failure</b>					
Effective embedment depth	$h_{ef}$	[mm]	54,9	67,1	91,8
Concrete cone failure	Edge distance	$c_{cr,N}$	1,5 $h_{ef}$		
	Spacing	$s_{cr,N}$	3 $h_{ef}$		
Installation safety factor	$\gamma_2$	[-]	1,0		
<b>Concrete pry-out failure</b>					
k factor	k	[-]	2,0		
<b>Concrete edge failure</b>					
Effective length of anchor	$l_f = h_{ef}$	[-]	54,9	67,1	91,8
Outside diameter of anchor	$d_{nom}$	[mm]	8	10	14

<sup>1)</sup> Pull-out failure is not decisive.

**Hilti Screw anchor HUS3**

**Performances**  
For seismic category C1

**Annex C 2**

**Table C3: Product performance for resistance to Fire**

Anchor HUS3-H and HUS3-HF			8			10			14		
			$h_{nom1}$	$h_{nom2}$	$h_{nom3}$	$h_{nom1}$	$h_{nom2}$	$h_{nom3}$	$h_{nom1}$	$h_{nom2}$	$h_{nom3}$
Nominal embedment depth	$h_{nom}$	[mm]	50	60	70	55	75	85	65	85	115
<b>Steel failure for tension and shear load (<math>F_{Rk,s,fi} = N_{Rk,s,fi} = V_{Rk,s,fi}</math>)</b>											
Characteristic resistance	R30	$F_{Rk,s,fi}$ [kN]	3,2	3,5	3,8	6,1	6,2	10,4	10,6		
	R60	$F_{Rk,s,fi}$ [kN]	2,4	2,6	2,8	4,6	4,7	7,8	8,1		
	R90	$F_{Rk,s,fi}$ [kN]	1,6	1,6	1,9	3,1	3,2	5,3	5,5		
	R120	$F_{Rk,s,fi}$ [kN]	1,2	1,2	1,5	2,4	2,5	4,0	4,3		
	R30	$M^0_{Rk,s,fi}$ [Nm]	14,6	15,9	17,2	35,2	35,6	78,9	79,8		
	R60	$M^0_{Rk,s,fi}$ [Nm]	11,0	11,7	13,0	26,6	27,1	59,6	60,7		
	R90	$M^0_{Rk,s,fi}$ [Nm]	7,4	7,4	8,8	18,0	18,6	40,2	41,7		
	R120	$M^0_{Rk,s,fi}$ [Nm]	5,7	5,3	6,8	13,7	14,4	30,6	32,1		
<b>Pull-out failure</b>											
Characteristic resistance	R30 R60 R90	$N_{Rk,p,fi}$ [kN]	1,5	2,3	3,0	2,4	4,0	4,9	3,1	4,8	7,8
	R120	$N_{Rk,p,fi}$ [kN]	1,2	1,8	2,4	1,9	3,2	3,9	2,5	3,8	6,3
<b>Concrete cone failure</b>											
Characteristic resistance	R30 R60 R90	$N^0_{Rk,c,fi}$ [kN]	1,8	2,6	4,0	2,0	4,7	6,6	3,0	6,4	14,4
	R120	$N^0_{Rk,c,fi}$ [kN]	1,4	2,1	3,2	1,6	3,8	5,3	2,4	5,1	11,5
<b>Edge distance</b>											
	R30 to R120	$c_{cr,fi}$ [mm]	2 $h_{ef}$								
In case of fire attack from more than one side, the minimum edge distance shall be $\geq 300$ mm.											
<b>Anchor spacing</b>											
	R30 to R120	$s_{cr,fi}$ [mm]	2 $c_{cr,fi}$								
<b>Concrete pry-out failure</b>											
	R30 to R120	k [-]	1,0	2,0	1,0	2,0					
The anchorage depth has to be increased for wet concrete by at least 30 mm compared to the given value.											

**Hilti Screw anchor HUS3**

**Performances**  
For resistance to fire

**Annex C 3**

**Table C4: Product performance for resistance to Fire**

Anchor HUS3-C				8			10		
				$h_{nom1}$	$h_{nom2}$	$h_{nom3}$	$h_{nom1}$	$h_{nom2}$	$h_{nom3}$
Nominal embedment depth		$h_{nom}$ [mm]	50	60	70	55	75	85	
<b>Steel failure for tension and shear load (<math>F_{Rk,s,fi} = N_{Rk,s,fi} = V_{Rk,s,fi}</math>)</b>									
Characteristic resistance	R30	$F_{Rk,s,fi}$ [kN]	0,5			1,2			
	R60	$F_{Rk,s,fi}$ [kN]	0,4			1,0			
	R90	$F_{Rk,s,fi}$ [kN]	0,3			0,8			
	R120	$F_{Rk,s,fi}$ [kN]	0,2			0,6			
	R30	$M_{Rk,s,fi}^0$ [Nm]	0,6			1,7			
	R60	$M_{Rk,s,fi}^0$ [Nm]	0,5			1,5			
	R90	$M_{Rk,s,fi}^0$ [Nm]	0,4			1,1			
	R120	$M_{Rk,s,fi}^0$ [Nm]	0,3			0,9			
<b>Pull-out failure</b>									
Characteristic resistance	R30	$N_{Rk,p,fi}$ [kN]	1,5	2,3	3,0	2,4	4,0	5,0	
	R60								
	R90								
	R120	$N_{Rk,p,fi}$ [kN]	1,2	1,8	2,4	1,9	3,2	4,0	
<b>Concrete cone failure</b>									
Characteristic resistance	R30	$N_{Rk,c,fi}^0$ [kN]	1,8	2,6	4,0	2,0	4,7	6,6	
	R60								
	R90								
	R120	$N_{Rk,c,fi}^0$ [kN]	1,5	2,1	3,2	1,6	3,8	5,3	
<b>Edge distance</b>									
R30 to R120		$c_{cr,fi}$ [mm]	2 $h_{ef}$						
In case of fire attack from more than one side, the minimum edge distance shall be $\geq 300$ mm.									
<b>Anchor spacing</b>									
R30 to R120		$s_{cr,fi}$ [mm]	2 $c_{cr,fi}$						
<b>Concrete pry-out failure</b>									
R30 to R120		k [-]	1,0	2,0	1,0	2,0			
The anchorage depth has to be increased for wet concrete by at least 30 mm compared to the given value.									

**Hilti Screw anchor HUS3**

**Performances**  
For resistance to fire

**Annex C 4**



**Table C5: Displacements under tension load**

Anchor size HUS3			8			10			14		
			$h_{nom1}$	$h_{nom2}$	$h_{nom3}$	$h_{nom1}$	$h_{nom2}$	$h_{nom3}$	$h_{nom1}$	$h_{nom2}$	$h_{nom3}$
Nominal embedment depth		$h_{nom}$ [mm]	50	60	70	55	75	85	65	85	115
Cracked concrete C20/25 to C50/60	Tension Load	N [kN]	4,3	5,7	7,6	5,7	9,5	13,2	8,3	13,0	21,2
	Displacement	$\delta_{N0}$ [mm]	0,3	0,4	0,3	0,4	0,4	0,4	0,6	0,5	0,5
		$\delta_{N\infty}$ [mm]	0,7	0,7	0,6	0,4	0,4	0,5	0,9	1,2	1,0
		$\delta_{N,seis}$ [mm]	-	-	0,6	-	-	0,9	-	-	1,3
Non-cracked concrete C20/25 to C50/60	Tension Load	N [kN]	6,6	8,9	11,8	8,7	14,8	20,5	12,9	20,1	32,8
	Displacement	$\delta_{N0}$ [mm]	0,1	0,2	0,1	0,1	0,1	0,1	0,1	0,2	0,3
		$\delta_{N\infty}$ [mm]	0,3			0,2			0,5		

**Table C6: Displacements under shear load**

Anchor size HUS3			8			10			14		
			$h_{nom1}$	$h_{nom2}$	$h_{nom3}$	$h_{nom1}$	$h_{nom2}$	$h_{nom3}$	$h_{nom1}$	$h_{nom2}$	$h_{nom3}$
Nominal embedment depth		$h_{nom}$ [mm]	50	60	70	55	75	85	65	85	115
Cracked or non-cracked concrete C20/25 to C50/60	Shear Load	V [kN]	8,1			13,3			21,4		
	Displacement	$\delta_{V0}$ [mm]	2,5	3,4	2,9	3,8	3,7	3,2	3,6	3,2	2,4
		$\delta_{V\infty}$ [mm]	3,7	5,1	4,4	5,7	5,5	4,9	5,4	6,9	3,5
		$\delta_{V,seis}$ [mm]	-	-	5,3	-	-	4,3	-	-	5,5

**Hilti Screw anchor HUS3**

Performances  
Displacements

**Annex C 5**