

Approval body for construction products  
and types of construction

Bautechnisches Prüfamt

An institution established by the Federal and  
Laender Governments



## European Technical Assessment

ETA-12/0028  
of 18 August 2016

English translation prepared by DIBt - Original version in German language

### General Part

Technical Assessment Body issuing the  
European Technical Assessment:

Deutsches Institut für Bautechnik

Trade name of the construction product

Injection system Hilti HIT-HY 200-R with HIT-Z / HIT-Z-F /  
HIT-Z-R

Product family  
to which the construction product belongs

Bonded anchor for use in concrete

Manufacturer

Hilti AG  
Feldkircherstraße 100  
9494 Schaan  
FÜRSTENTUM LIECHTENSTEIN

Manufacturing plant

Hilti Werke

This European Technical Assessment  
contains

21 pages including 3 annexes

This European Technical Assessment is  
issued in accordance with Regulation (EU)  
No 305/2011, on the basis of

Guideline for European technical approval of "Metal  
anchors for use in concrete", ETAG 001 Part 5: "Bonded  
anchors", April 2013,  
used as European Assessment Document (EAD)  
according to Article 66 Paragraph 3 of Regulation (EU)  
No 305/2011.

This version replaces

ETA-12/0028 issued on 27 August 2015

The European Technical Assessment is issued by the Technical Assessment Body in its official language. Translations of this European Technical Assessment in other languages shall fully correspond to the original issued document and shall be identified as such.

Communication of this European Technical Assessment, including transmission by electronic means, shall be in full. However, partial reproduction may only be made with the written consent of the issuing Technical Assessment Body. Any partial reproduction shall be identified as such.

This European Technical Assessment may be withdrawn by the issuing Technical Assessment Body, in particular pursuant to information by the Commission in accordance with Article 25(3) of Regulation (EU) No 305/2011.

English translation prepared by DIBt

**Specific Part**

**1 Technical description of the product**

The injection system Hilti HIT-HY 200-R with HIT-Z / HIT-Z-F / HIT-Z-R is a bonded anchor consisting of a foil pack with injection mortar Hilti HIT-HY 200-R and an anchor rod (including nut and washer) in the sizes of M8, M10, M12, M16 and M20. The anchor rod (including nut and washer) is made of galvanised steel (HIT-Z), with multilayer coating (HIT-Z-F) or stainless steel (HIT-Z-R). The anchor rod is placed into a drill hole filled with injection mortar. The load transfer is realised by mechanical interlock of several cones in the bonding mortar and then via a combination of bonding and friction forces in the base material (concrete).

The product description is given in Annex A.

**2 Specification of the intended use in accordance with the applicable European Assessment Document**

The performances given in Section 3 are only valid if the anchor is used in compliance with the specifications and conditions given in Annex B.

The verifications and assessment methods on which this European Technical Assessment is based lead to the assumption of a working life of the anchor of at least 50 years. The indications given on the working life cannot be interpreted as a guarantee given by the producer, but are to be regarded only as a means for choosing the right products in relation to the expected economically reasonable working life of the works.

**3 Performance of the product and references to the methods used for its assessment**

**3.1 Mechanical resistance and stability (BWR 1)**

Essential characteristic	Performance
Characteristic resistance for static and quasi static action and displacements	See Annex C1 – C4
Characteristic resistance for seismic performance category C1 and displacements	See Annex C5
Characteristic resistance for seismic performance category C2 and displacements	See Annex C6 – C7

**3.2 Safety in case of fire (BWR 2)**

Essential characteristic	Performance
Reaction to fire	Anchorage satisfy requirements for Class A1
Resistance to fire	No performance assessed

**3.3 Hygiene, health and the environment (BWR 3)**

Regarding dangerous substances there may be requirements (e.g. transposed European legislation and national laws, regulations and administrative provisions) applicable to the products falling within the scope of this European Technical Assessment. In order to meet the provisions of Regulation (EU) No 305/2011, these requirements need also to be complied with, when and where they apply.

**3.4 Safety in use (BWR 4)**

The essential characteristics regarding Safety in use are included under the Basic Works Requirement Mechanical resistance and stability.

electronic copy of the eta by dibt: eta-12/0028

English translation prepared by DIBt

**4 Assessment and verification of constancy of performance (AVCP) system applied, with reference to its legal base**

In accordance with guideline for European technical approval ETAG 001, April 2013 used as European Assessment Document (EAD) according to Article 66 Paragraph 3 of Regulation (EU) No 305/2011 the applicable European legal act is: [96/582/EC].

The system to be applied is: 1

**5 Technical details necessary for the implementation of the AVCP system, as provided for in the applicable EAD**

Technical details necessary for the implementation of the AVCP system are laid down in the control plan deposited with Deutsches Institut für Bautechnik.

Issued in Berlin on 18 August 2016 by Deutsches Institut für Bautechnik

Uwe Bender  
Head of Department

*beglaubigt:*  
Lange

## Installed condition

**Figure A1:**

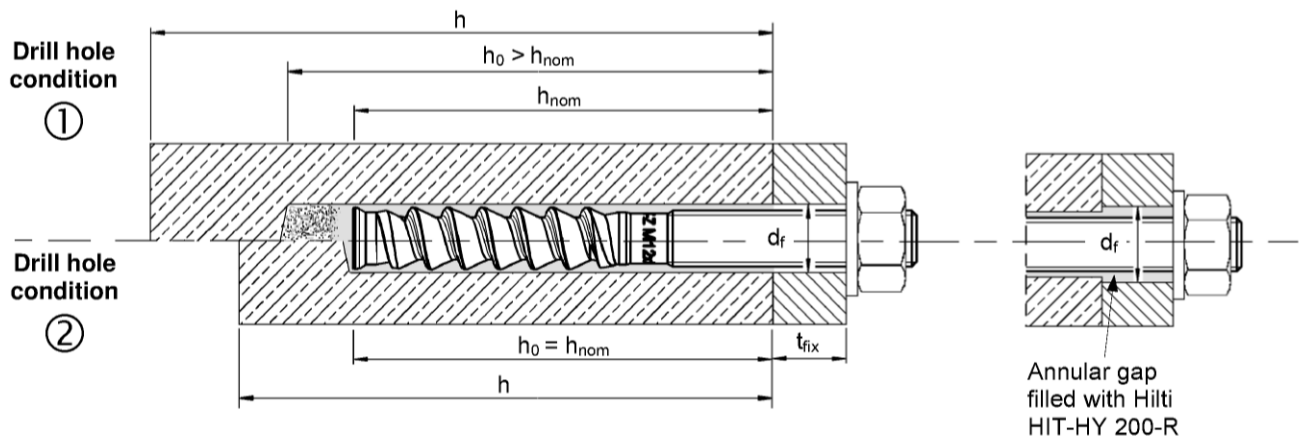
HIT-Z, HIT-Z-F, HIT-Z-R

### Pre-setting:

Install anchor before positioning fixture

### Through-setting:

Install anchor through positioned fixture



Drill hole condition ① → non-cleaned drill hole

Drill hole condition ② → drilling dust is removed

Injection system Hilti HIT-HY 200-R with HIT-Z / HIT-Z F / HIT-Z-R

Product description  
Installed condition

Annex A1

**Product description: Injection mortar and steel elements**

**Injection mortar Hilti HIT-HY 200-R:** hybrid system with aggregate  
330 ml and 500 ml

Marking:  
HILTI HIT  
HY 200-R  
Production number and  
production line  
Expiry date mm/yyyy



Product name: "Hilti HIT-HY 200-R"

**Static mixer Hilti HIT-RE-M**



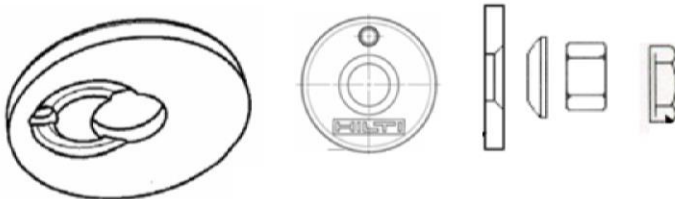
**Steel elements**



Hilti anchor rod: HIT-Z and HIT-Z-R: M8 to M20

Hilti anchor rod: HIT-Z F: M16 and M20

**Steel elements Seismic filling set**



**Injection system Hilti HIT-HY 200-R with HIT-Z / HIT-Z F / HIT-Z-R**

**Product description**  
Injection mortar / Static mixer / Steel elements

**Annex A2**

**Table A1: Materials**

Designation	Material
<b>Metal parts made of zinc coated steel</b>	
Anchor rod HIT-Z	For $\leq$ M12: $f_{uk} = 650 \text{ N/mm}^2$ , $f_{yk} = 520 \text{ N/mm}^2$ , For M16: $f_{uk} = 610 \text{ N/mm}^2$ , $f_{yk} = 490 \text{ N/mm}^2$ , For M20: $f_{uk} = 595 \text{ N/mm}^2$ , $f_{yk} = 480 \text{ N/mm}^2$ , Elongation at fracture ( $l_0=5d$ ) > 8% ductile; Electroplated zinc coated $\geq 5 \mu\text{m}$
Washer	Electroplated zinc coated $\geq 5 \mu\text{m}$
Nut	Strength class of nut adapted to strength class of anchor rod. Electroplated zinc coated $\geq 5 \mu\text{m}$
<b>Metal parts made of seismic filling set</b>	
Filling washer	Electroplated zinc coated $\geq 5 \mu\text{m}$
Spherical washer	Electroplated zinc coated $\geq 5 \mu\text{m}$
<b>Metal parts made of multilayer coating steel</b>	
Anchor rod HIT-Z-F	For M16: $f_{uk} = 610 \text{ N/mm}^2$ , $f_{yk} = 490 \text{ N/mm}^2$ , For M20: $f_{uk} = 595 \text{ N/mm}^2$ , $f_{yk} = 480 \text{ N/mm}^2$ , Elongation at fracture ( $l_0=5d$ ) > 8% ductile; Multilayer coating, ZnNi-galvanized according to DIN50979:2008-07
Washer	Multilayer coating, ZnNi-galvanized according to DIN50979:2008-07
Nut	Multilayer coating, ZnNi-galvanized according to DIN50979:2008-07
<b>Metal parts made of stainless steel</b>	
Anchor rod HIT-Z-R	For $\leq$ M12: $f_{uk} = 650 \text{ N/mm}^2$ , $f_{yk} = 520 \text{ N/mm}^2$ , For M16: $f_{uk} = 610 \text{ N/mm}^2$ , $f_{yk} = 490 \text{ N/mm}^2$ , For M20: $f_{uk} = 595 \text{ N/mm}^2$ , $f_{yk} = 480 \text{ N/mm}^2$ , Elongation at fracture ( $l_0=5d$ ) > 8% ductile; Stainless steel 1.4401, 1.4404 EN 10088-1:2014
Washer	Stainless steel A4 according to EN 10088-1:2014
Nut	Strength class of nut adapted to strength class of anchor rod. Stainless steel 1.4401, 1.4404 EN 10088-1:2014

**Injection system Hilti HIT-HY 200-R with HIT-Z / HIT-Z F / HIT-Z-R**

**Product description**  
Materials

**Annex A3**



## Specifications of intended use

### Anchorage subject to:

- Static and quasi static loading
  - HIT-Z and HIT-Z-R size M8 to M20. HIT-Z-F size M16 and M20
- Seismic performance category:
  - Seismic C1: HIT-Z and HIT-Z-R size M8 to M20 in hammer drilled holes.
  - Seismic C2: HIT-Z and HIT-Z-R sizes M12 to M20 in hammer drilled holes.

### Base material:

- Reinforced or unreinforced normal weight concrete according to EN 206:2013.
- Strength classes C20/25 to C50/60 according to EN 206:2013.
- Cracked and non-cracked concrete.

### Temperature in the base material:

- **at installation**  
+5 °C to +40 °C
- **in-service**
  - Temperature range I: -40 °C to +40 °C  
(max. long term temperature +24 °C and max. short term temperature +40 °C)
  - Temperature range II: -40 °C to +80 °C  
(max. long term temperature +50 °C and max. short term temperature +80 °C)
  - Temperature range III: -40 °C to +120 °C  
(max. long term temperature +72 °C and max. short term temperature +120 °C)

### Use conditions (Environmental conditions):

- Structures subject to dry internal conditions (zinc coated steel, multilayer coated steel and stainless steel).
- Structures subject to external atmospheric exposure (including industrial and marine environment) and to permanently damp internal conditions, if no particular aggressive conditions exist (stainless steel).  
Note: Particular aggressive conditions are e.g. permanent, alternating immersion in seawater or the splash zone of seawater, chloride atmosphere of indoor swimming pools or atmosphere with extreme chemical pollution (e.g. in desulphurization plants or road tunnels where de-icing products are used).

### Design:

- Anchorages are designed under the responsibility of an engineer experienced in anchorages and concrete work.
- Verifiable calculation notes and drawings are prepared taking account of the loads to be anchored. The position of the anchor is indicated on the design drawings (e. g. position of the anchor relative to reinforcement or to supports, etc.).
- Anchorages under static or quasi-static loading are designed in accordance with: "EOTA Technical Report TR 029, 09/2010" or "CEN/TS 1992-4:2009, design method A"
- Anchorages under seismic actions (cracked concrete) are designed in accordance with: "EOTA Technical Report TR 045, 02/2013"  
Anchorages shall be positioned outside of critical regions (e.g. plastic hinges) of the concrete structure. Fastenings in stand-off installation or with a grout layer under seismic action are not covered in this European technical assessment (ETA).

### Installation:

- Use category: dry or wet concrete (not in flooded holes).
- Drilling technique: hammer drilling, diamond coring or hammer drilling with hollow drill bit TE-CD, TE-YD
- Overhead installation is admissible.
- Anchor installation carried out by appropriately qualified personnel and under the supervision of the person responsible for technical matters of the site.

Injection system Hilti HIT-HY 200-R with HIT-Z / HIT-Z-F / HIT-Z-R

Intended Use  
Specifications

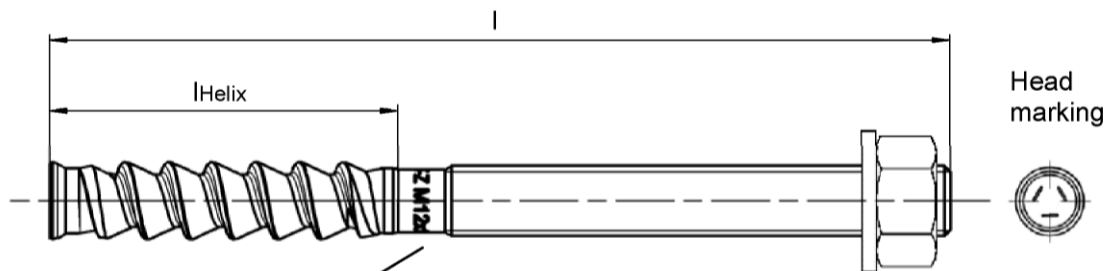
Annex B1



**Table B1: Installation parameters HIT-Z, HIT-Z-F and HIT-Z-R**

			M8	M10	M12	M16	M20
Nominal diameter	d	[mm]	8	10	12	16	20
Nominal diameter of drill bit	d <sub>0</sub>	[mm]	10	12	14	18	22
Length of anchor	min l	[mm]	80	95	105	155	215
	max l	[mm]	120	160	196	420	450
Length of helix	l <sub>Helix</sub>	[mm]	50	60	60	96	100
Nominal anchorage depth	h <sub>nom,min</sub>	[mm]	60	60	60	96	100
	h <sub>nom,max</sub>	[mm]	100	120	144	192	220
Drill hole condition ① Minimum thickness of concrete member	h <sub>min</sub>	[mm]	h <sub>nom</sub> + 60 mm			h <sub>nom</sub> + 100 mm	
Drill hole condition ② Minimum thickness of concrete member	h <sub>min</sub>	[mm]	h <sub>nom</sub> + 30 mm ≥ 100 mm			h <sub>nom</sub> + 45 mm	
Maximum depth of drill hole	h <sub>0</sub>	[mm]	h – 30 mm			h – 2 d <sub>0</sub>	
Pre-setting: <sup>1)</sup> Maximum diameter of clearance hole in the fixture	d <sub>f</sub>	[mm]	9	12	14	18	22
Through-setting: <sup>1)</sup> Maximum diameter of clearance hole in the fixture	d <sub>f</sub>	[mm]	11	14	16	20	24
Maximum fixture thickness	t <sub>fix</sub>	[mm]	48	87	120	303	326
Maximum fixture thickness with seismic filling set	t <sub>fix</sub>	[mm]	41	79	111	292	314
Installation torque moment	T <sub>inst</sub>	[Nm]	10	25	40	80	150

1) for larger clearance hole see "TR 029 section 1.1"



**Marking:**

Embossing "HIT-Z M...x l"      zinc coated steel  
 Embossing "HIT-Z-F M...x l"      multilayer coating, ZnNi-galvanized  
 Embossing "HIT-Z-R M...x l"      stainless steel

**Injection system Hilti HIT-HY 200-R with HIT-Z / HIT-Z-F / HIT-Z-R**

**Intended Use**  
Installation parameters

**Annex B2**

### Minimum edge distance and spacing

For the calculation of minimum spacing and minimum edge distance of anchors in combination with different embedment depth and thickness of concrete member the following equation shall be fulfilled:

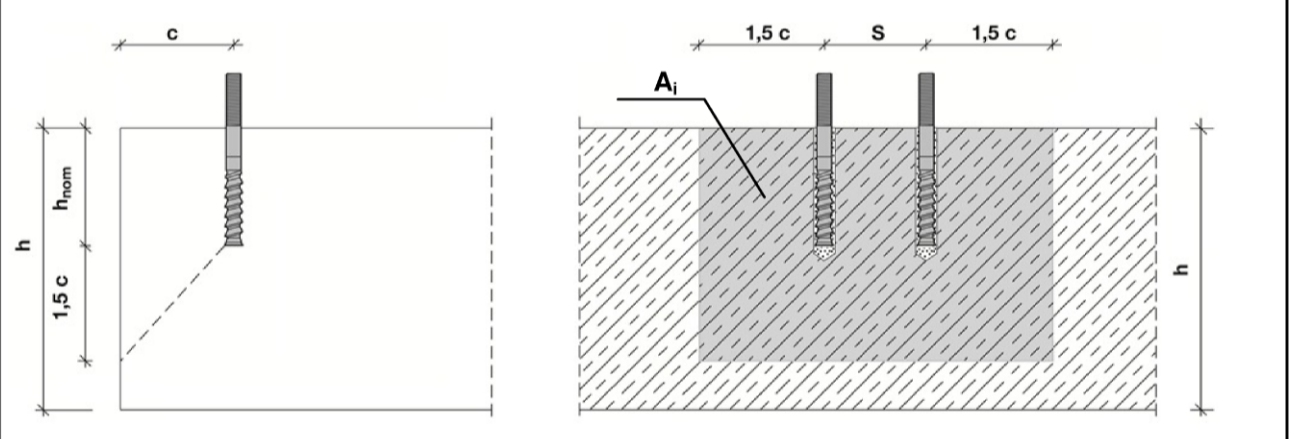
$$A_{i,req} < A_{i,ef}$$

**Table B2: Required area  $A_{i,req}$**

HIT-Z, HIT-Z-R, HIT-Z-F			M8	M10	M12	M16	M20
Cracked concrete	$A_{i,req}$	[mm <sup>2</sup> ]	19200	40800	58800	94700	148000
Non-cracked concrete	$A_{i,req}$	[mm <sup>2</sup> ]	22200	57400	80800	128000	198000

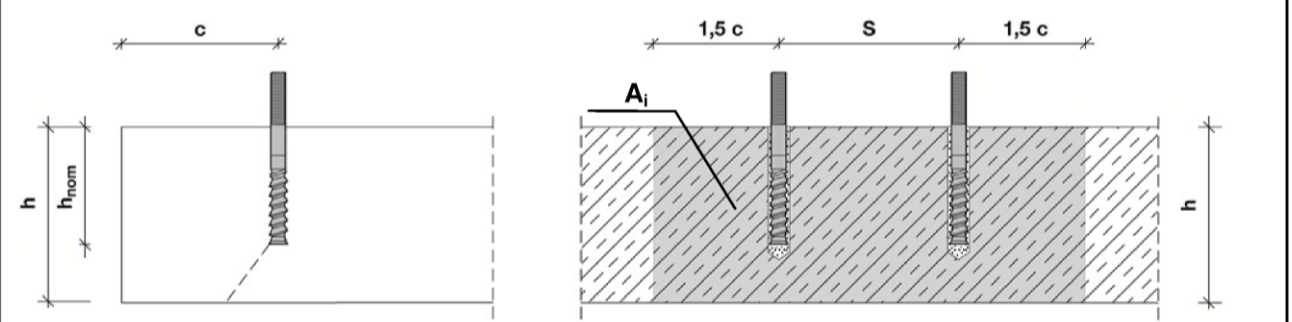
**Table B3: Effective area  $A_{i,ef}$**

Member thickness  $h > h_{nom} + 1,5 \cdot c$



Single anchor and group of anchors with $s > 3 \cdot c$	[mm <sup>2</sup> ]	$A_{i,ef} = (6 \cdot c) \cdot (h_{nom} + 1,5 \cdot c)$	with $c \geq 5 \cdot d$
Group of anchors with $s \leq 3 \cdot c$	[mm <sup>2</sup> ]	$A_{i,ef} = (3 \cdot c + s) \cdot (h_{nom} + 1,5 \cdot c)$	with $c \geq 5 \cdot d$ and $s \geq 5 \cdot d$

Member thickness  $h \leq h_{nom} + 1,5 \cdot c$



Single anchor and group of anchors with $s > 3 \cdot c$	[mm <sup>2</sup> ]	$A_{i,ef} = (6 \cdot c) \cdot h$	with $c \geq 5 \cdot d$
Group of anchors with $s \leq 3 \cdot c$	[mm <sup>2</sup> ]	$A_{i,ef} = (3 \cdot c + s) \cdot h$	with $c \geq 5 \cdot d$ and $s \geq 5 \cdot d$

$c_{min}$  and  $s_{min}$  in 5 mm steps

**Injection system Hilti HIT-HY 200-R with HIT-Z / HIT-Z-F / HIT-Z-R**

**Intended Use**






Installation parameters: member thickness, spacing and edge distances

**Annex B3**

**Table B4: Maximum working time and minimum curing time**

Temperature in the base material T	Maximum working time $t_{work}$	Minimum curing time $t_{cure}$
5 °C	1 hour	4 hours
6 °C to 10 °C	40 min	2,5 hours
11 °C to 20 °C	15 min	1,5 hours
21 °C to 30 °C	9 min	1 hour
31 °C to 40 °C	6 min	1 hour

**Table B5: Parameters of drilling and setting tools**

Elements	Drill			Installation
	Hammer drilling		Diamond coring	
Anchor rod HIT-Z / HIT-Z(-F, -R)		Hollow drill bit TE- CD, TE-YD		
				
size	$d_0$ [mm]	$d_0$ [mm]	$d_0$ [mm]	HIT-SZ
M8	10	-	10	-
M10	12	12	12	12
M12	14	14	14	14
M16	18	18	18	18
M20	22	22	22	22

Injection system Hilti HIT-HY 200-R with HIT-Z / HIT-Z-F / HIT-Z-R

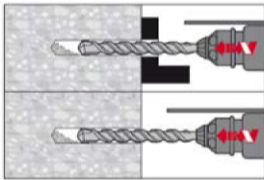
**Intended Use**  
Maximum working time and minimum working time  
Cleaning and setting tools

**Annex B4**

## Installation instruction

### Hole drilling

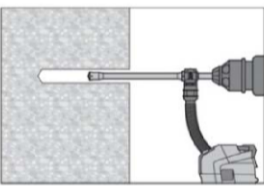
#### a) Hammer drilling



**Through-setting:** Drill hole through the clearance hole in the fixture to the required drilling depth with a hammer drill set in rotation-hammer mode using an appropriately sized carbide drill bit.

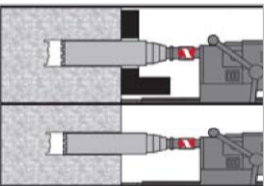
**Pre-setting:** Drill hole to the required drilling depth with a hammer drill set in rotation-hammer mode using an appropriately sized carbide drill bit.  
After drilling is complete, proceed to the "injection preparation" step in the installation instruction.

#### b) Hammer drilling with hollow drill bit



**Pre- / Through-setting:** Drill hole to the required embedment depth with an appropriately sized Hilti TE-CD or TE-YD hollow drill bit with Hilti vacuum attachment. This drilling system removes the dust and cleans the drill hole during drilling when used in accordance with the user's manual (see Annex A1 - Borehole condition ②).  
After drilling is completed, proceed to the "injection preparation" step in the installation instruction.

#### c) Diamond coring



Diamond coring is permissible when suitable diamond core drilling machines and corresponding core bits are used.

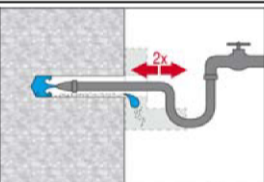
**Through-setting:** Drill hole through the clearance hole in the fixture to the required drilling depth.

**Pre-setting:** Drill hole to the required embedment depth.

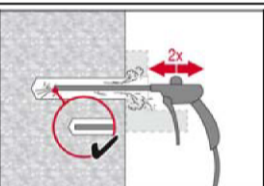
### Drill hole cleaning

a) No cleaning required for hammer drilled holes.

b) Hole flushing and evacuation required for wet-drilled diamond cored holes.



Flush 2 times from the back of the hole over the whole length until water runs clear. Water-line pressure is sufficient.



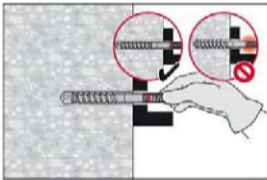
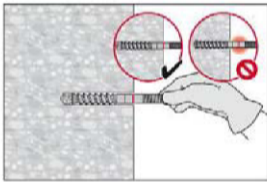
Blow 2 times from the back of the hole (if needed with nozzle extension) with oil-free compressed air (min. 6 bar at 6 m<sup>3</sup>/h) to evacuate the water.

Injection system Hilti HIT-HY 200-R with HIT-Z / HIT-Z-F / HIT-Z-R

Intended Use  
Installation instructions

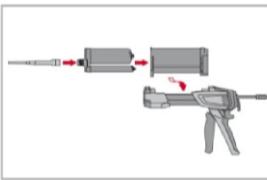
Annex B5

### Checking of setting depth

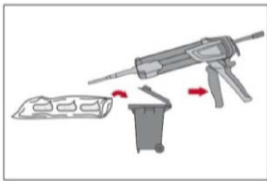


Mark the element and check the setting depth. The element has to fit in the hole until the required embedment depth. If it is not possible to insert the element to the required embedment depth, remove the dust in the drill hole or drill deeper.

### Injection preparation



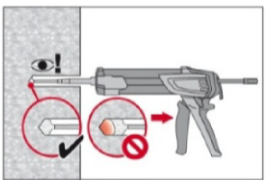
Tightly attach Hilti mixing nozzle HIT-RE-M to foil pack manifold. Do not modify the mixing nozzle.  
Observe the instruction for use of the dispenser.  
Check foil pack holder for proper function. Insert foil pack into foil pack holder and put holder into the dispenser.



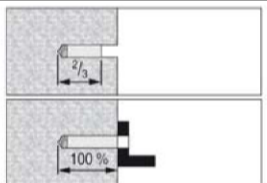
The foil pack opens automatically as dispensing is initiated. Depending on the size of the foil pack an initial amount of adhesive has to be discarded. Discarded quantities are:

2 strokes	for 330 ml foil pack,
3 strokes	for 500 ml foil pack.

### Inject adhesive from the back of the drill hole without forming air voids.



Inject the adhesive starting at the back of the hole, slowly withdrawing the mixer with each trigger pull.



Pre-setting: Fill approximately 2/3 of the drill hole.

Through-setting: Fill 100% of the drill hole.



After injection is completed, depressurize the dispenser by pressing the release trigger. This will prevent further adhesive discharge from the mixer.

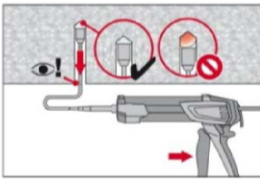
Injection system Hilti HIT-HY 200-R with HIT-Z / HIT-Z-F / HIT-Z-R

Intended Use  
Installation instructions

Annex B6

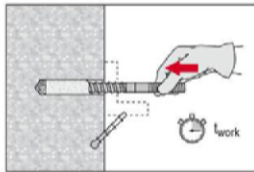


### Overhead installation

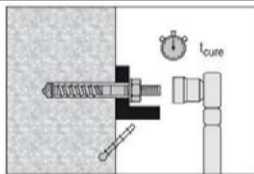


For overhead installation the injection is only possible with the aid of extensions and piston plugs. Assemble HIT-RE-M mixer, extension(s) and appropriately sized piston plug (see Table B5). Insert piston plug to back of the hole and inject adhesive. During injection the piston plug will be naturally extruded out of the drill hole by the adhesive pressure.

### Setting the element

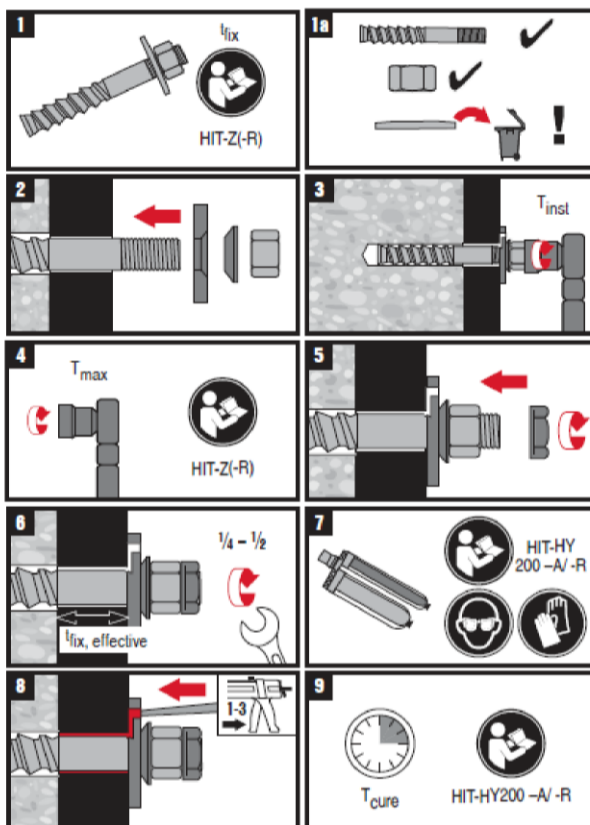


Before use, verify that the element is dry and free of oil and other contaminants.  
Set element to the required embedment depth before working time  $t_{work}$  has elapsed. The working time  $t_{work}$  is given in Table B4. After setting the element the annular gap between the anchor and the fixture (through-setting) or



After required curing time  $t_{cure}$  (see Table B4) remove excess mortar.  
The required installation torque  $T_{inst}$  is given in Table B1. The anchor can be loaded.

### Installation with Seismic filling set



Injection system Hilti HIT-HY 200-R with HIT-Z / HIT-Z-F / HIT-Z-R

Intended Use  
Installation instructions

Annex B7

**Table C1: Characteristic resistance for HIT-Z (-F, -R), under tension load in case of static and quasi static loading**

				M8	M10	M12	M16	M20
Installation safety factor	$\gamma_2 = \gamma_{inst}$	[-]		1,0				
<b>Steel failure</b>								
Characteristic resistance HIT-Z, HIT-Z-F	$N_{Rk,s}$	[kN]		24	38	55	96	146
Characteristic resistance HIT-Z-R	$N_{Rk,s}$	[kN]		24	38	55	96	146
<b>Combined pull-out and concrete cone failure</b>								
Effective anchorage depth for calculation of $N_{Rk,p}^0$ (TR 029, 5.2.2.3 respectively CEN/TS 1992-4:2009 part 5, 6.2.2)	$h_{ef} = l_{Helix}$	[mm]		50	60	60	96	100
Characteristic bond resistance in non-cracked concrete C20/25								
Temperature range I: 40 °C / 24 °C	$\tau_{Rk,ucr}$	[N/mm <sup>2</sup> ]		24				
Temperature range II: 80 °C / 50 °C	$\tau_{Rk,ucr}$	[N/mm <sup>2</sup> ]		22				
Temperature range III: 120 °C / 72 °C	$\tau_{Rk,ucr}$	[N/mm <sup>2</sup> ]		20				
Factor acc. to section 6.2.2.3 of CEN/TS 1992-4:2009 part 5	$k_8$	[-]		10,1				
Characteristic bond resistance in cracked concrete C20/25								
Temperature range I: 40 °C / 24 °C	$\tau_{Rk,cr}$	[N/mm <sup>2</sup> ]		22				
Temperature range II: 80 °C / 50 °C	$\tau_{Rk,cr}$	[N/mm <sup>2</sup> ]		20				
Temperature range III: 120 °C / 72 °C	$\tau_{Rk,cr}$	[N/mm <sup>2</sup> ]		18				
Factor acc. to section 6.2.2.3 of CEN/TS 1992-4:2009 part 5	$k_8$	[-]		7,2				
Increasing factor for $\tau_{Rk}$ in concrete	$\Psi_c$		C30/37	1,0				
			C40/50	1,0				
			C50/60	1,0				
<b>Concrete cone failure</b>								
Effective embedment depth for calculation of $N_{Rk,c}$ (TR 029, 5.2.2.4 or CEN/TS 1992-4:2009 part 5, 6.2.3)	$h_{ef}$	[mm]		$h_{nom}$				
Factor according to section 6.2.3 of CEN/TS 1992-4:2009 part 5	$k_{cr}$	[-]		7,2				
Factor according to section 6.2.3 of CEN/TS 1992-4:2009 part 5	$k_{ucr}$	[-]		10,1				
Edge distance	$c_{cr,N}$	[mm]		$1,5 \cdot h_{ef}$				
Spacing	$s_{cr,N}$	[mm]		$3,0 \cdot h_{ef}$				

**Injection system Hilti HIT-HY 200-R with HIT-Z / HIT-Z-F / HIT-Z-R**

**Performances**

Characteristic resistance under tension load - static and quasi-static loading  
Design according to „EOTA Technical Report TR 029, 09/2010“ or “CEN/TS 1992-4:2009“

**Annex C1**



**Table C1 continued**

<b>Splitting failure</b>			
Effective embedment depth for calculation of $N_{Rk,sp}$ (TR 029, 5.2.2.6 respectively CEN/TS 1992-4:2009 part 5, 6.2.4)	$h_{ef}$	[mm]	$h_{nom}$
Factor according to section 6.2.3 of CEN/TS 1992-4:2009 part 5	$k_{cr}$	[-]	7,2
Factor according to section 6.2.3 of CEN/TS 1992-4:2009 part 5	$k_{ucr}$	[-]	10,1
Edge distance $c_{Cr,sp}$ [mm] for	$h / h_{nom} \geq 2,35$	$1,5 \cdot h_{nom}$	
	$2,35 > h / h_{nom} > 1,35$	$6,2 \cdot h_{nom} - 2,0 \cdot h$	
	$h / h_{nom} \leq 1,35$	$3,5 \cdot h_{nom}$	
Spacing	$s_{Cr,sp}$	[mm]	$2 \cdot c_{Cr,sp}$

**Injection system Hilti HIT-HY 200-R with HIT-Z / HIT-Z-F / HIT-Z-R**

**Performances**

Characteristic resistance under tension load - static and quasi-static loading  
Design according to „EOTA Technical Report TR 029, 09/2010“ or “CEN/TS 1992-4:2009“

**Annex C2**

**Table C2: Characteristic resistance for HIT-Z (-F, -R), under shear load in case of static and quasi static loading**

				M8	M10	M12	M16	M20
<b>Steel failure without lever arm</b>								
Factor according to section 6.3.2.1 of CEN/TS 1992-4:2009 part 5	$k_2^{2)}$	1,0						
Characteristic resistance HIT-Z, HIT-Z-F	$V_{Rk,s}$ [kN]	12	19	27	48	73		
Characteristic resistance HIT-Z-R	$V_{Rk,s}$ [kN]	14	23	33	57	88		
<b>Steel failure with lever arm</b>								
Characteristic resistance HIT-Z, HIT-Z-F	$M_{Rk,s}^0$ [Nm]	24	49	85	203	386		
Characteristic resistance HIT-Z-R	$M_{Rk,s}^0$ [Nm]	24	49	85	203	386		
<b>Concrete pry-out failure</b>								
Factor acc. to equation (5.7) of TR 029 or acc. to equation (27) of CEN/TS 1992-4:2009 part 5	$k^1) = k_3^{2)}$ [-]	2,0						
<b>Concrete edge failure</b>								
Effective length of anchor in shear loading	$l_f$ [mm]	$h_{nom}$						
Diameter of anchor	$d^1) = d_{nom}^{2)}$ [mm]	8	10	12	16	20		

**Injection system Hilti HIT-HY 200-R with HIT-Z / HIT-Z-F / HIT-Z-R**

**Performances**

Characteristic resistance under shear load - static and quasi-static loading  
Design according to „EOTA Technical Report TR 029, 09/2010“ or “CEN/TS 1992-4:2009“

**Annex C3**

**Table C3: Displacements under tension load for HIT-Z (-F, -R) for static and quasi static loading<sup>1)</sup>**

	M8	M10	M12	M16	M20
<b>Non-cracked concrete</b>					
<b>Temperature range I: 40 °C / 24 °C</b>					
Displacement $\delta_{N0}$ -Factor [mm/(N/mm <sup>2</sup> )]	0,03	0,03	0,04	0,05	0,07
Displacement $\delta_{N\infty}$ -Factor [mm/(N/mm <sup>2</sup> )]	0,06	0,08	0,10	0,13	0,17
<b>Temperature range I: 80 °C / 50 °C</b>					
Displacement $\delta_{N0}$ -Factor [mm/(N/mm <sup>2</sup> )]	0,03	0,04	0,04	0,06	0,07
Displacement $\delta_{N\infty}$ -Factor [mm/(N/mm <sup>2</sup> )]	0,07	0,09	0,11	0,15	0,18
<b>Temperature range I: 120 °C / 72 °C</b>					
Displacement $\delta_{N0}$ -Factor [mm/(N/mm <sup>2</sup> )]	0,03	0,04	0,05	0,06	0,08
Displacement $\delta_{N\infty}$ -Factor [mm/(N/mm <sup>2</sup> )]	0,07	0,10	0,12	0,16	0,20
<b>Cracked concrete</b>					
<b>Temperature range I: 40 °C / 24 °C</b>					
Displacement $\delta_{N0}$ -Factor [mm/(N/mm <sup>2</sup> )]	0,06	0,07	0,08	0,09	0,10
Displacement $\delta_{N\infty}$ -Factor [mm/(N/mm <sup>2</sup> )]	0,21				
<b>Temperature range I: 80 °C / 50 °C</b>					
Displacement $\delta_{N0}$ -Factor [mm/(N/mm <sup>2</sup> )]	0,07	0,08	0,08	0,10	0,11
Displacement $\delta_{N\infty}$ -Factor [mm/(N/mm <sup>2</sup> )]	0,23				
<b>Temperature range I: 120 °C / 72 °C</b>					
Displacement $\delta_{N0}$ -Factor [mm/(N/mm <sup>2</sup> )]	0,07	0,08	0,09	0,11	0,12
Displacement $\delta_{N\infty}$ -Factor [mm/(N/mm <sup>2</sup> )]	0,25				

<sup>1)</sup> Calculation of the displacement  
 $\delta_{N0} = \delta_{N0}\text{-factor} \cdot \tau$ ;  $\delta_{N\infty} = \delta_{N\infty}\text{-factor} \cdot \tau$ ; ( $\tau$ : action bond strength).

**Table C4: Displacements under shear load for HIT-Z (-F, -R) for static and quasi static loading<sup>1)</sup>**

	M8	M10	M12	M16	M20
Displacement $\delta_{V0}$ -Factor [mm/kN]	0,06	0,06	0,05	0,04	0,04
Displacement $\delta_{V\infty}$ -Factor [mm/kN]	0,09	0,08	0,08	0,06	0,06

<sup>1)</sup> Calculation of the displacement  
 $\delta_{V0} = \delta_{V0}\text{-factor} \cdot V$ ;  $\delta_{V\infty} = \delta_{V\infty}\text{-factor} \cdot V$ ; (V: action shear load)

**Injection system Hilti HIT-HY 200-R with HIT-Z / HIT-Z-F / HIT-Z-R**

**Performances**  
Displacements in case of static and quasi-static loading

**Annex C4**

**Table C5: Characteristic resistance under tension load for HIT-Z (-R) for seismic performance category C1**

		M8	M10	M12	M16	M20
Installation safety factor	$\gamma_2 = \gamma_{inst}$ [-]	1,0				
<b>Steel failure</b>						
Characteristic resistance HIT-Z	$N_{Rk,s,seis}$ [kN]	24	38	55	96	146
Characteristic resistance HIT-Z-R	$N_{Rk,s,seis}$ [kN]	24	38	55	96	146
<b>Combined pull-out and concrete cone failure</b>						
Characteristic bond resistance in cracked concrete C20/25						
Effective anchorage depth for calculation of $N_{Rk,p,seis}$	$h_{ef} = l_{Helix}$ [mm]	50	60	60	96	100
Temperature range I: 40 °C / 24 °C	$\tau_{Rk,seis}$ [N/mm <sup>2</sup> ]	21				
Temperature range II: 80 °C / 50 °C	$\tau_{Rk,seis}$ [N/mm <sup>2</sup> ]	19				
Temperature range III: 120 °C / 72 °C	$\tau_{Rk,seis}$ [N/mm <sup>2</sup> ]	17				

**Table C6: Characteristic resistance under shear load for HIT-Z (-R) for seismic performance category C1**

		M8	M10	M12	M16	M20
<b>Steel failure</b>						
Characteristic resistance HIT-Z	$V_{Rk,s,seis}$ [kN]	7	17	16	28	45
Characteristic resistance HIT-Z-R	$V_{Rk,s,seis}$ [kN]	8	19	22	31	48

**Table C7: Displacements under tension load for HIT-Z(-R) for seismic performance category C1<sup>1)</sup>**

		M8	M10	M12	M16	M20
Displacement	$\delta_{N,seis}$ [mm]	1,2	1,9	1,7	1,3	1,8

<sup>1)</sup> Maximum displacement during cycling (seismic event).

**Table C8: Displacements under shear load for HIT-Z (-R) for performance category C1<sup>1)</sup>**

		M8	M10	M12	M16	M20
Displacement HIT-Z	$\delta_{V,seis}$ [mm]	4,0	5,0	4,9	4,3	5,5
Displacement HIT-Z-R	$\delta_{V,seis}$ [mm]	5,0	5,6	5,9	6,0	6,4

<sup>1)</sup> Maximum displacement during cycling (seismic event).

**Injection system Hilti HIT-HY 200-R with HIT-Z / HIT-Z-F / HIT-Z-R**

**Performances**

Characteristic resistances and displacements – seismic performance category C1  
Design according to „EOTA Technical Report TR 045, Edition February 2013“

**Annex C5**

**Table C9: Characteristic resistance for HIT-Z (-R) under tension load for seismic performance category C2**

			M12	M16	M20
Installation safety factor	$\gamma_2 = \gamma_{inst}$	[-]	1,0		
<b>Steel failure</b>					
Characteristic resistance HIT-Z	$N_{Rk,s,seis}$	[kN]	55	96	146
Characteristic resistance HIT-Z-R	$N_{Rk,s,seis}$	[kN]	55	96	146
<b>Combined pull-out and concrete cone failure</b>					
Characteristic bond resistance in cracked concrete C20/25					
Effective anchorage depth for calculation of $N_{Rk,p,seis}$	$h_{ef} = l_{Helix}$	[mm]	60	96	100
Temperature range I: 40 °C / 24 °C	$\tau_{Rk,seis}$	[N/mm <sup>2</sup> ]	13	19	20
Temperature range II: 80 °C / 50 °C	$\tau_{Rk,seis}$	[N/mm <sup>2</sup> ]	12	17	18
Temperature range III: 120 °C / 72 °C	$\tau_{Rk,seis}$	[N/mm <sup>2</sup> ]	10	16	16

\*Seismic C2 does not apply for HIT-Z-R.

**Table C10: Characteristic resistance under shear load for HIT-Z (-R) for seismic performance category C2**

			M12	M16	M20
<b>Steel failure</b>					
Installation without Hilti seismic filling set					
Effective embedment depth	$h_{ef}$	[mm]	$h_{ef} < 96$	$h_{ef} < 125$	$h_{ef} < 150$
Characteristic resistance HIT-Z	$V_{Rk,s,seis}$	[kN]	11	17	35
Characteristic resistance HIT-Z-R	$V_{Rk,s,seis}$	[kN]	16	21	35
Effective embedment depth	$h_{ef}$	[mm]	$h_{ef} \geq 96$	$h_{ef} \geq 125$	$h_{ef} \geq 150$
Characteristic resistance HIT-Z* (-R)	$V_{Rk,s,seis}$	[kN]	21	36	55
Installation with Hilti seismic filling set					
Effective embedment depth	$h_{ef}$	[mm]	$h_{ef} < 96$	$h_{ef} < 125$	$h_{ef} < 150$
Characteristic resistance HIT-Z* (-R)	$V_{Rk,s,seis}$	[kN]	20	34	40
Effective embedment depth	$h_{ef}$	[mm]	$h_{ef} \geq 96$	$h_{ef} \geq 125$	$h_{ef} \geq 150$
Characteristic resistance HIT-Z* (-R)	$V_{Rk,s,seis}$	[kN]	23	41	61

\*These values apply only for steel element shorter than HIT-Z M16x280 and HIT-Z M20x300.

**Injection system Hilti HIT-HY 200-R with HIT-Z / HIT-Z-F / HIT-Z-R**

**Performances**

Characteristic resistances and displacements – seismic performance category C2  
Design according to „EOTA Technical Report TR 045, 02/2013“

**Annex C6**

**Table C11: Displacements under tension load for HIT-Z (-R) in case of seismic performance category C2**

		M12	M16	M20
Displacement DLS	$\delta_{N,seis(DLS)}$ [mm]	1,3	1,9	1,2
Displacement ULS	$\delta_{N,seis(ULS)}$ [mm]	3,2	3,6	2,6

**Table C12: Displacements under shear load for HIT-Z (-R) for seismic performance category C2**

		M12	M16	M20
Installation without Hilti seismic filling set				
Effective embedment depth	$h_{ef}$ [mm]	$h_{ef} < 96$	$h_{ef} < 125$	$h_{ef} < 150$
Displacement DLS HIT-Z	$\delta_{V,seis(DLS)}$ [mm]	2,8	3,1	4,9
Displacement ULS HIT-Z	$\delta_{V,seis(ULS)}$ [mm]	4,6	6,2	6,8
Displacement DLS HIT-Z-R	$\delta_{V,seis(DLS)}$ [mm]	3,0	3,1	4,9
Displacement ULS HIT-Z-R	$\delta_{V,seis(ULS)}$ [mm]	6,2	6,2	6,8
Effective embedment depth	$h_{ef}$ [mm]	$h_{ef} \geq 96$	$h_{ef} \geq 125$	$h_{ef} \geq 150$
Displacement DLS HIT-Z (-R)	$\delta_{V,seis(DLS)}$ [mm]	3,4	3,6	1,8
Displacement ULS HIT-Z (-R)	$\delta_{V,seis(ULS)}$ [mm]	6,0	5,9	5,8
Installation with Hilti seismic filling set				
Effective embedment depth	$h_{ef}$ [mm]	$h_{ef} < 96$	$h_{ef} < 125$	$h_{ef} < 150$
Displacement DLS HIT-Z (-R)	$\delta_{V,seis(DLS)}$ [mm]	1,4	1,7	1,8
Displacement ULS HIT-Z (-R)	$\delta_{V,seis(ULS)}$ [mm]	4,4	5,1	5,6
Effective embedment depth	$h_{ef}$ [mm]	$h_{ef} \geq 96$	$h_{ef} \geq 125$	$h_{ef} \geq 150$
Displacement DLS HIT-Z (-R)	$\delta_{V,seis(DLS)}$ [mm]	1,4	1,7	4,6
Displacement ULS HIT-Z (-R)	$\delta_{V,seis(ULS)}$ [mm]	5,2	5,1	7,0

**Injection system Hilti HIT-HY 200-R with HIT-Z / HIT-Z-F / HIT-Z-R**

**Performances**

Characteristic resistances and displacements – seismic performance category C2  
Design according to „EOTA Technical Report TR 045, 02/2013“

**Annex C7**