

Approval body for construction products
and types of construction

Bautechnisches Prüfamt

An institution established by the Federal and
Laender Governments



European Technical Assessment

ETA-08/0189
of 3 April 2017

English translation prepared by DIBt - Original version in German language

General Part

Technical Assessment Body issuing the
European Technical Assessment:

Deutsches Institut für Bautechnik

Trade name of the construction product

alfa AUR 10 universal frame anchor

Product family
to which the construction product belongs

Plastic anchor for multiple use in concrete and masonry
for non-structural applications

Manufacturer

alfa Dübel GmbH
Braukämperstraße 101
45899 Gelsenkirchen
DEUTSCHLAND

Manufacturing plant

alfa Dübel GmbH
Braukämperstraße 101
45899 Gelsenkirchen
DEUTSCHLAND

This European Technical Assessment
contains

12 pages including 3 annexes which form an integral part
of this assessment

This European Technical Assessment is
issued in accordance with Regulation (EU)
No 305/2011, on the basis of

Guideline for European technical approval of "Plastic
Anchors for Multiple Use in Concrete and Masonry for
Non", ETAG 020 structural Applications - Part 1:
"General", edition March 2012,
used as European Assessment Document (EAD)
according to Article 66 Paragraph 3 of Regulation (EU)
No 305/2011.

This version replaces

ETA-08/0189 issued on 13 June 2013

European Technical Assessment

ETA-08/0189

English translation prepared by DIBt

Page 2 of 12 | 3 April 2017

The European Technical Assessment is issued by the Technical Assessment Body in its official language. Translations of this European Technical Assessment in other languages shall fully correspond to the original issued document and shall be identified as such.

Communication of this European Technical Assessment, including transmission by electronic means, shall be in full. However, partial reproduction may only be made with the written consent of the issuing Technical Assessment Body. Any partial reproduction shall be identified as such.

This European Technical Assessment may be withdrawn by the issuing Technical Assessment Body, in particular pursuant to information by the Commission in accordance with Article 25(3) of Regulation (EU) No 305/2011.

Specific part

1 Technical description of the product

The allfa AUR 10 universal frame anchor is a plastic anchor consisting of a plastic sleeve made of polyamide and an accompanying specific screw of galvanised steel.

The plastic sleeve is expanded by screwing in the specific screw which presses the sleeve against the wall of the drilled hole.

The product description is given in Annex A.

2 Specification of the intended use in accordance with the applicable European Assessment Document

The performances given in Section 3 are only valid if the anchor is used in compliance with the specifications and conditions given in Annex B.

The verifications and assessment methods on which this European Technical Assessment is based lead to the assumption of a working life of the anchors of at least 50 years. The indications given on the working life cannot be interpreted as a guarantee given by the producer, but are to be regarded only as a means for choosing the right products in relation to the expected economically reasonable working life of the works.

3 Performance of the product and references to the methods used for its assessment

3.1 Mechanical resistance and stability (BWR 1)

The essential characteristics regarding mechanical resistance and stability are included under the Basic Works Requirement Safety in use.

3.2 Safety in case of fire (BWR 2)

Essential characteristic	Performance
Reaction to fire	Anchorage satisfy requirements for Class A 1
Resistance to fire	No performance assessed

3.3 Safety and accessibility (BWR 4)

Essential characteristic	Performance
Characteristic resistance for tension and shear loads	See Annexes C 1, C 2
Characteristic resistance for bending moments	See Annex C 1
Displacements under shear and tension loads	See Annex C 1
Anchor distances and dimensions of members	See Annex B 2, B 3

3.4 General aspects

The verification of durability is part of testing the essential characteristics. Durability is only ensured if the specifications of intended use according to Annex B are taken into account.

English translation prepared by DIBt

4 Assessment and verification of constancy of performance (AVCP) system applied, with reference to its legal base

In accordance with guideline for European technical approval ETAG 020, March 2012 used as European Assessment Document (EAD) according to Article 66 Paragraph 3 of Regulation (EU) No 305/2011 the applicable European legal act is: 97/463/EC.

The system to be applied is: 2+

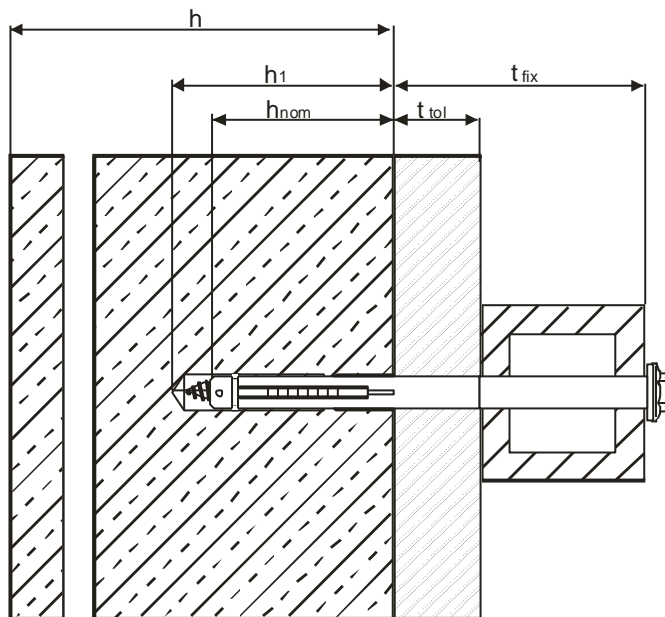
5 Technical details necessary for the implementation of the AVCP system, as provided for in the applicable European Assessment Document

Technical details necessary for the implementation of the AVCP system are laid down in the control plan deposited at Deutsches Institut für Bautechnik.

Issued in Berlin on 3 April 2017 by Deutsches Institut für Bautechnik

Andreas Kummerow
p.p. Head of Department

beglaubigt:
Ziegler



Intended use

Fixing in cracked and non-cracked concrete

Legend

- h_{nom} = overall plastic anchor embedment depth in base material
- h_1 = depth of drill hole to deepest point
- h = thickness of member (wall)
- t_{fix} = thickness of fixture
- t_{tol} = thickness of layer or non-load bearing coating

allfa AUR 10 universal frame anchor

Product description
Installed condition

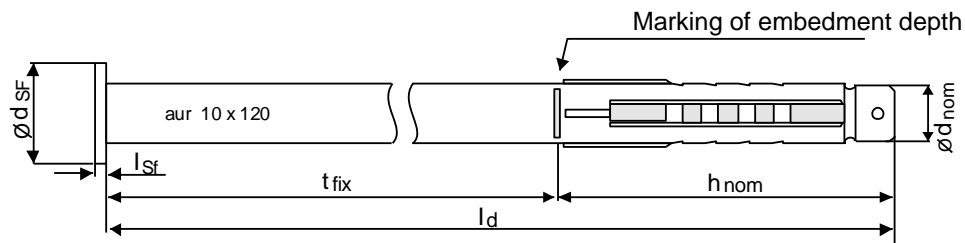
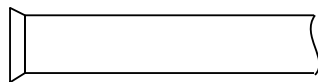
Annex A 1

AUR 10

Anchor sleeve

Marking:
type and dimension

example: **aur** 10x120



Special screw

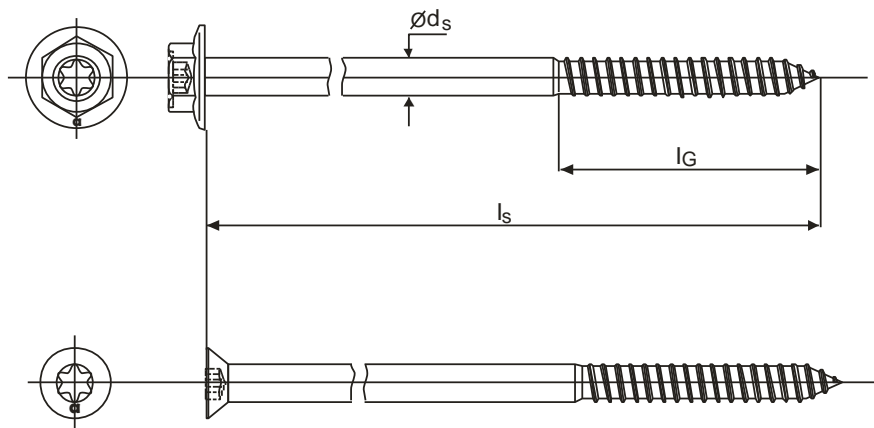


Table 1: Dimensions [mm]

	Anchor sleeve						Special screw		
	h_{nom} [mm]	$\varnothing d_{nom}$ [mm]	t_{fix} [mm]	l_d [mm]	l_{sf} [mm]	$\varnothing d_{sf}$ [mm]	$\varnothing d_s$ [mm]	l_G [mm]	$l_s^{1)}$ [mm]
aur 10	60	10	10-200	80-260	2	18	7	50	90 -270

¹⁾ To insure that the screw penetrates the anchor sleeve, $l_s = l_d + l_{sf}^{2)} + 7$ mm

²⁾ Only valid for flat collar version

Table 2: Materials

Name	Material
Anchor sleeve	Polyamid PA6, colour: grey
Special screw	carbon steel strength class 4.8 ($f_{yk} \geq 320$ N/mm ² , $f_{uk} \geq 400$ N/mm ²), zinc coated 5 μ m

alfa AUR 10 universal frame anchor

Product description
Anchor sleeve, special screw – marking
Dimensions, materials

Annex A 2

Specifications of intended use

Anchorage subject to:

- Static and quasi-static loads.
- Multiple fixing of non-structural applications

Base materials:

- Reinforced or unreinforced normal weight concrete with strength classes \geq C12/15 (use category a) according to EN 206-1:2000, Annex C 1.
- Solid brick masonry (use category b) according to Annex C 1.
Note: The characteristic resistance is also valid for larger brick sizes and higher compressive strength of the masonry unit.
- Hollow brick masonry (use category c) according to Annex C 2.
- Mortar strength class of the masonry \geq M2,5 according to EN 998-2:2010.
- For other base materials of the use categories a, b or c the characteristic resistance of the anchor may be determined by job site tests according to ETAG 020, Annex B, Edition March 2012.

Temperature Range:

- c: - 40° C to + 40° C (max. short term temperature + 40° C and max long term temperature + 24° C)
- c: - 40° C to + 80° C (max. short term temperature + 80° C and max long term temperature + 50° C)

Use conditions (Environmental conditions):

- Structures subject to dry internal conditions (zinc coated steel, stainless steel)
- The specific screw made of galvanised steel may also be used in structures to external atmospheric exposure, if the area of the head of the screw is protected against moisture and driving rain after mounting of the fixing unit in this way, that intrusion of moisture into the anchor shaft is prevented. Therefore there shall be an external cladding or a ventilated rainscreen mounted in front of the head of the screw and the head of the screw itself shall be coated with a soft plastic, permanently elastic bitumen-oil-combination coating (e. g. undercoating or body cavity protection for cars)

Design:

- The anchorages are to be designed in accordance with the ETAG 020, Annex C under the responsibility of an engineer experienced in anchorages and masonry work.
- Verifiable calculation notes and drawings shall be prepared taking account of the loads to be anchored, the nature and strength of the base materials and the dimensions of the anchorage members as well as of the relevant tolerances. The position of the anchor is indicated on the design drawings.
- Fasteners are only to be used for multiple use for non-structural application according to ETAG 020, Edition March 2012.

Installation:

- Hole drilling by the drill modes according to Annex C1 and C 2 for use category a, b and c
- Anchor installation carried out by appropriately qualified personnel and under the supervision of the person responsible for technical matters of the site
- Installation temperature from 0°C to + 50°C
- Exposure to UV due to solar radiation of the anchor not protected \leq 6 weeks

alfa AUR 10 universal frame anchor

Intended use
Specifications

Annex B 1

Table 3: Installation parameters

Anchor type		
Drill hole diameter	d_0 [mm]	10 8,45
Cutting diameter of drill bit	d_{cut} [mm]	10,45
Depth of drill hole to deepest point ¹⁾	h_1 [mm]	70
Overall plastic anchor embedment depth ^{1) 2)}	h_{nom} [mm]	60
Diameter of clearance hole in the fixture	d_f [mm]	10,5

¹⁾ See Annex A 1

²⁾ For hollow and perforated masonry the influence of $h_{nom} \geq 60$ mm has to be detected by job site tests according ETAG 020, Annex B.

Table 4: Minimum thickness of member, edge distance and spacing in concrete

Fixing points with a spacing $a \leq s_{cr,N}$ are considered as a group with a maximum characteristic resistance $N_{Rk,p}$ acc. to Table 8. For $a > s_{cr,N}$, the anchors are considered as single anchors, each with a characteristic resistance $N_{Rk,p}$ according to Table 8.

	h_{min} [mm]	$c_{cr,N}$ [mm]	$s_{cr,N}$ [mm]	c_{min} [mm]	s_{min} [mm]
Concrete \geq C16/20	100	100	85	100	80
Concrete C12/15		140	120	140	110

alfa AUR 10 universal frame anchor

Intended use

Installation parameters, edge distances and spacing in concrete

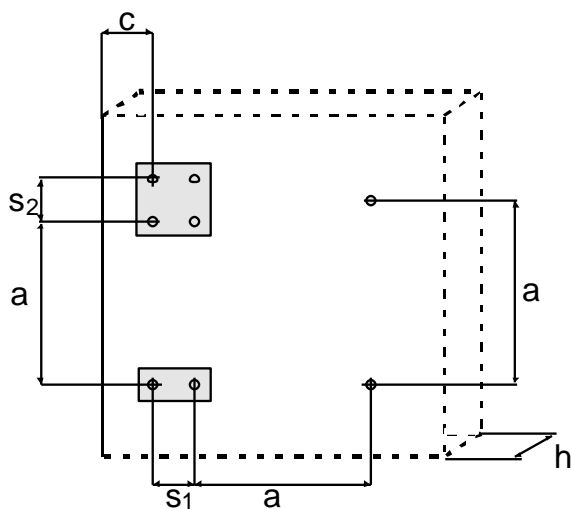
Annex B 2

Table 5: Minimum member thickness, edge distance and spacing in masonry

Base material		Mz, HLz, KS, V,Hbl	KS
Minimum member thickness	$h_{\min} = [\text{mm}]$	100	100
Single anchor			
Minimum spacing	$a_{\min} = [\text{mm}]$	250	250
Minimum edge distance	$c_{\min} = [\text{mm}]$	100	150
Anchor group			
Minimum spacing perpendicular to the free edge	$s_{1,\min} = [\text{mm}]$	200	300
Minimum spacing parallel to the free edge	$s_{2,\min} = [\text{mm}]$	400	600
Minimum edge distance	$c_{\min} = [\text{mm}]$	100	150

$$a \geq \max(a_{\min}, s_{1,\min}, s_{2,\min})$$

Scheme of distance and spacing in concrete and masonry

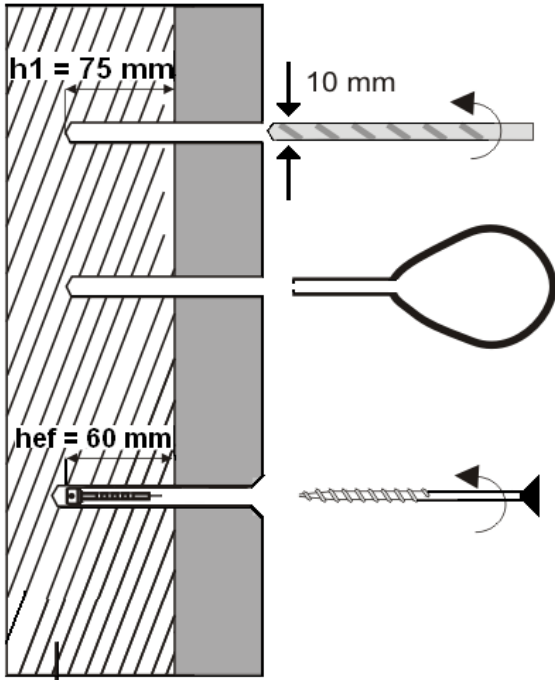


alfa AUR 10 universal frame anchor

Intended use
Installation parameters, edge distances and spacing in masonry

Annex B 3

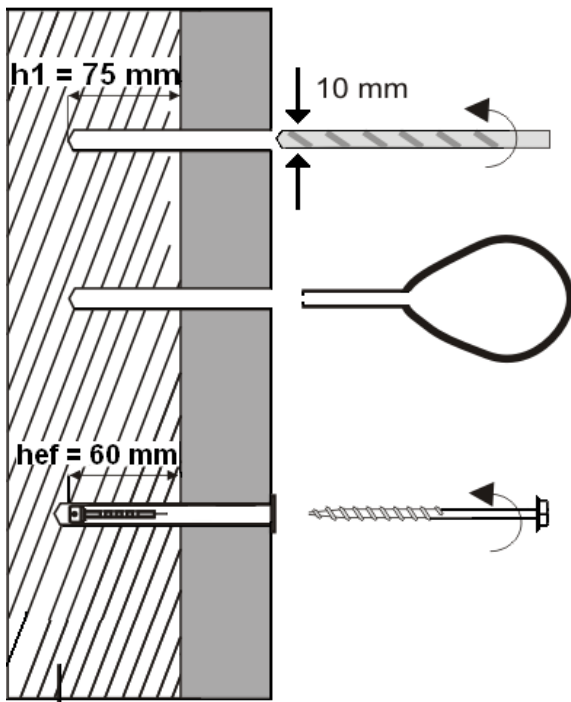
Installation instructions



Drill the bore hole perpendicular to the surface of the base material considering the drill method given in Table 9 and 10

Remove dust from the bore hole

Insert the anchor sleeve until the collar is flush with the surface, screw in the special screw (shown with countersunk version)



Drill the bore hole perpendicular to the surface of the base material considering the drill method given in Table 9 and 10

Remove dust from the bore hole

Insert the anchor sleeve until the collar is flush with the surface, screw in the special screw (shown with cylindrical head)

electronic copy of the eta by dibt: eta-08/0189

alfa AUR 10 universal frame anchor

Intended use
Installation instructions

Annex B 4

Table 6: Characteristic resistance of the screw

Failure of expansion element (special screw)			Galvanized steel
Characteristic tension resistance	$N_{Rk,s}$	[kN]	10,6
Characteristic shear resistance	$V_{Rk,s}$	[kN]	5,3
Characteristic bending resistance	$M_{Rk,s}$	[Nm]	9,2

Table 7: Displacements under tension and shear loading in concrete¹⁾ and masonry

Tension load			Shear load		
$F^{2)}$ [kN]	δ_{NO} [mm]	$\delta_{N\infty}$ [mm]	$F^{2)}$ [kN]	δ_{VO} [mm]	$\delta_{V\infty}$ [mm]
1,8	0,86	1,71	1,8	3,36	5,04

¹⁾ valid for all temperature ranges

²⁾ intermediate values by linear interpolation

Table 8: Characteristic resistance for pull-out failure for use in concrete

Pull-out failure of the anchor sleeve		$\vartheta = 24/40\text{ °C}$	$\vartheta = 50/80\text{ °C}$
• Concrete \geq C16/20			
Characteristic resistance	$N_{Rk,p}$ [kN]	3,0	3,0
• Concrete C12/15			
Characteristic resistance	$N_{Rk,p}$ [kN]	2,0	2,0

Table 9: Characteristic resistance in solid masonry

base material	Min. DF or min. size (L x W x H) [mm]	Bulk density class ρ [kg/dm ³]	Minimum compressive strength f_b [N/mm ²]	Drill method	Characteristic resistance $F_{RK}^{1)}$ [kN]	
					24/40 °C	50/80 °C
Clay brick Mz acc. to DIN 105-100 DIN EN 771-1	3 DF (240 x 175 x 113)	$\geq 1,8$	20	H ²⁾	3,5	3,5
			10		2,5	2,5
Solid sand/lime brick KS acc. to DIN V 106 DIN EN 771-2	NF (240 x 115 x 71)	$\geq 2,0$	28	D ²⁾	2,0	2,0
			20		1,5	1,5
			10		1,2	1,2
Lightweight concrete solid blocks V acc. to DIN 18152-100 DIN EN 771-3	3DF (240 x 175 x 113)	$\geq 1,2$	6	D ²⁾	2,0	2,0
			4		1,5	1,5

¹⁾ characteristic resistance F_{RK} for tension, shear or tension and shear

²⁾ H = Hammerdrilling, D = Rotary drilling

alfa AUR 10 universal frame anchor

Performances

Characteristic resistance of the screw, displacements
Characteristic resistance in concrete and solid masonry

Annex C 1

Table 10: Characteristic resistance in hollow masonry

base material	Min. DF or min. size (L x W x H) [mm]	Minimum outer web thickness [mm]	Bulk density class ρ [kg/dm ³]	Minimum compressive strength f_b [N/mm ²]	Drill method	Characteristic resistance F_{RK} ¹⁾ [kN]
						24/40 °C 50/80 °C
Hollow clay brick Hz acc. to DIN 105 -100 EN 771-1 such as Eder Poro	10 DF (249 x 298 x 238)	9,2	≥ 0,72	10	R ²⁾	0,4
Hollow clay brick Hz acc. to DIN 105 -100 EN 771-1 such as Danreiter	12 DF (376 x 249 x 234)	8,2	≥ 0,76	10	R ²⁾	0,6
Hollow clay brick Hz acc. to DIN 105 -100 EN 771-1 such as Eder	(246 x 117 x 139)	14,0	≥ 1,09	20	R ²⁾	0,9
Hollow clay brick Hz acc. to DIN 105 -100 EN 771-1	12 DF (300 x 240 x 238)	8,4	≥ 0,7	6	R ²⁾	0,3
Hollow clay brick Hz acc. to DIN 105 -100 EN 771-1	NF (240 x 115 x 71)	11,0	≥ 0,9	12	R ²⁾	0,6
				10		0,5
				8		0,4
Hollow sand/lime brick KSL acc. to DIN 106 EN 771-2	4DF (240 x 115 x 238)	34,0	≥ 1,4	12	R ²⁾	1,5
				10		1,2
				8		0,9
Lightweight concrete hollow blocks Hbl acc. to DIN V 18151-100 EN 771-3	12 DF (495 x 175 x 238)	37,0	≥ 1,2	4	R ²⁾	1,2

1) characteristic resistance F_{RK} for tension, shear or tension and shear

2) H = Hammerdrilling, D = Rotary drilling

alfa AUR 10 universal frame anchor

Performances
Characteristic resistance in hollow masonry

Annex C 2