

Approval body for construction products
and types of construction

Bautechnisches Prüfamt

An institution established by the Federal and
Laender Governments



European Technical Assessment

ETA-17/0642
of 12 October 2017

English translation prepared by DIBt - Original version in German language

General Part

Technical Assessment Body issuing the
European Technical Assessment:

Deutsches Institut für Bautechnik

Trade name of the construction product

"Curaflam XS Pro" also marketed as "DBM"

Product family
to which the construction product belongs

pipe collar

Manufacturer

DOYMA GmbH & Co
Industriestraße 43- 57
28876 Oyten
DEUTSCHLAND

Manufacturing plant

DOYMA GmbH & Co
Industriestraße 43- 57
28876 Oyten
DEUTSCHLAND

This European Technical Assessment
contains

11 pages including 7 annexes which form an integral part
of this assessment

This European Technical Assessment is
issued in accordance with Regulation (EU)
No 305/2011, on the basis of

ETAG 026 Part 2: "Penetration Seals",
used as EAD according to Article 66 Paragraph 3 of
Regulation (EU) No 305/2011.

The European Technical Assessment is issued by the Technical Assessment Body in its official language. Translations of this European Technical Assessment in other languages shall fully correspond to the original issued document and shall be identified as such.

Communication of this European Technical Assessment, including transmission by electronic means, shall be in full. However, partial reproduction may only be made with the written consent of the issuing Technical Assessment Body. Any partial reproduction shall be identified as such.

This European Technical Assessment may be withdrawn by the issuing Technical Assessment Body, in particular pursuant to information by the Commission in accordance with Article 25(3) of Regulation (EU) No 305/2011.

Specific Part

1 Technical description of the product

"Curaflam XS Pro", also marketed as "DBM", is a pipe collar consisting of a pipe collar enclosure and a fire-protective inlay.

The pipe collar enclosure is made of sheet steel and needs to be sufficiently protected against corrosion. The fire-protective inlay is made of an intumescent material, which expands under heat exposure.

The pipe collar has the dimensions given in Annexes 3 to 6.

Detailed specifications and fire safety related performance criteria for the construction products are given in Annex 1.

NOTE:

The characteristics listed are suitable both for identifying the construction products as well as for performing the manufacturer's factory production control.

2 Specification of the intended use in accordance with the applicable European Assessment Document

"Curaflam XS Pro", also marketed as "DBM", is designed to form part of a pipe penetration seal for plastic pipes.

Pipe penetration seals are used to seal openings in fire-resistant walls and floors, which are penetrated by pipes. Their aim is to preserve the walls' or floors' fire resistance in the area of the penetrations.

This ETA has served to verify the resistance to fire of pipe penetration seals consisting of two pipe collars (for wall installations) or one pipe collar (for floor installations) and a joint sealing.

The fire-protective inlay used in "Curaflam XS Pro", also marketed as "DBM", meets the requirements of use category Y_2 (see EOTA TR 024); that means that the product can be exposed to the conditions in interiors with and without moisture loads without compromising the characteristic values relevant for fire protection.

More detailed information and data on the verified penetration seals are given in Annex 7. The performances given in Section 3 apply exclusively to these penetration seals (e.g. with respect to the design and arrangement of the penetration seals' components as well as the type and position of the services).

3 Performance of the product and references to the methods used for its assessment

3.1 Safety in case of fire

Essential characteristic	Performance
Reaction to fire	Pipe collar enclosure: class A1 in accordance with Commission Decision 96/603/EC (as amended) Inlay: class E in accordance with EN 13501-1
Resistance to fire of a penetration seal containing the product/kit	The resistance to fire depends on the design and installation of the penetration seal and on the other components that make up the penetration seal. More details on the tested penetration seals as well as the related fire resistance classes are given in Annexes 1 to 7.

English translation prepared by DIBt

4 Assessment and verification of constancy of performance (AVCP) system applied, with reference to its legal base

In accordance with the European Technical Approval Guideline "Fire Stopping and Fire Sealing Products", ETAG 026, Part 2: "Penetration Seals", August 2011, which is used as European Assessment Document (EAD), the following legal base shall apply: 1999/454/EC.

The system to be applied is: system 1.

5 Technical details necessary for the implementation of the AVCP system, as provided for in the applicable EAD

Technical details necessary for the implementation of the AVCP system are laid down in the control plan deposited with Deutsches Institut für Bautechnik.

Issued in Berlin on 12 October 2017 by Deutsches Institut für Bautechnik

Prof. Gunter Hoppe
Head of Department

beglaubigt:
Bisemeier

The factory manufactured construction product pipe collar "Curaflam XS Pro" also marketed as "DBM" consists of a pipe collar steel housing and an inlay of an intumescent building material which is - depending on the design - incorporated as preshaped element or thin tape in multiple layers in the pipe collar housing.

Properties and performances criteria of the construction product "Curaflam XS Pro" also marketed as "DBM"

Component	Description
Pipe collar housing	Dimensions: see Annex 2 - 5 Material: Sheet steel (material number: 1.0330 or 1.0338) Classification of fire behavior: Class A1 according to the commission decision 96/603/EC (in the amended version)
Inlay	Dimensions: see Annex 2 - 5 Material: Intumescent building material according to ETA-16/0894 Classification of fire behavior according to EN 13501-1: Class E

The properties listed can be used both for the identification of the construction product and for the implementation of the factory production control of the manufacturer.

Implementation details for the factory production control are included in the inspection plan.

Description of the additional components of the tested sealings

"PE"-Schalldämmstoffstreifen	Dimensions: d = 5 mm "Steinoflex 405 R"; declaration of performance no.: 141-07-02-0011-004.2; 11.06.2014 Classification of fire behavior according to EN 13501-1: E _L , d ₀
Sealing oft residual joint between pipe collar and soffit: Cement mortar (MG III)	Classification of fire behavior: Class A1 according to the commission decision 96/603/EC (in the amended version)

"Curaflam XS Pro" bzw. "DBM"	Annex 1
Description of the construction products, properties and performances	

Performances of penetration seals, comprising the construction product "Curaflam XS Pro" also marketed as "DBM"

	Essential requirement	Test method	Construction of the sample	Performance acc. to EN-13501-2
1	Resistance to fire	EN 1366-3	100 mm thick rigid wall; design and layout of the penetration seal according to Annex 7*	EI 90-U/C
2	Resistance to fire	EN 1366-3	150 mm dicke rigid floor; design and layout of the penetration seal according to Annex 7*	EI 90-U/C

* The illustrations on annexes 2 to 7 are without guarantee for completeness

The use of the construction product "Curaflam XS Pro" also marketed as "DBM" shall be in accordance with national requirements for planning, design and execution and in accordance with the installation instruction of the manufacturer.

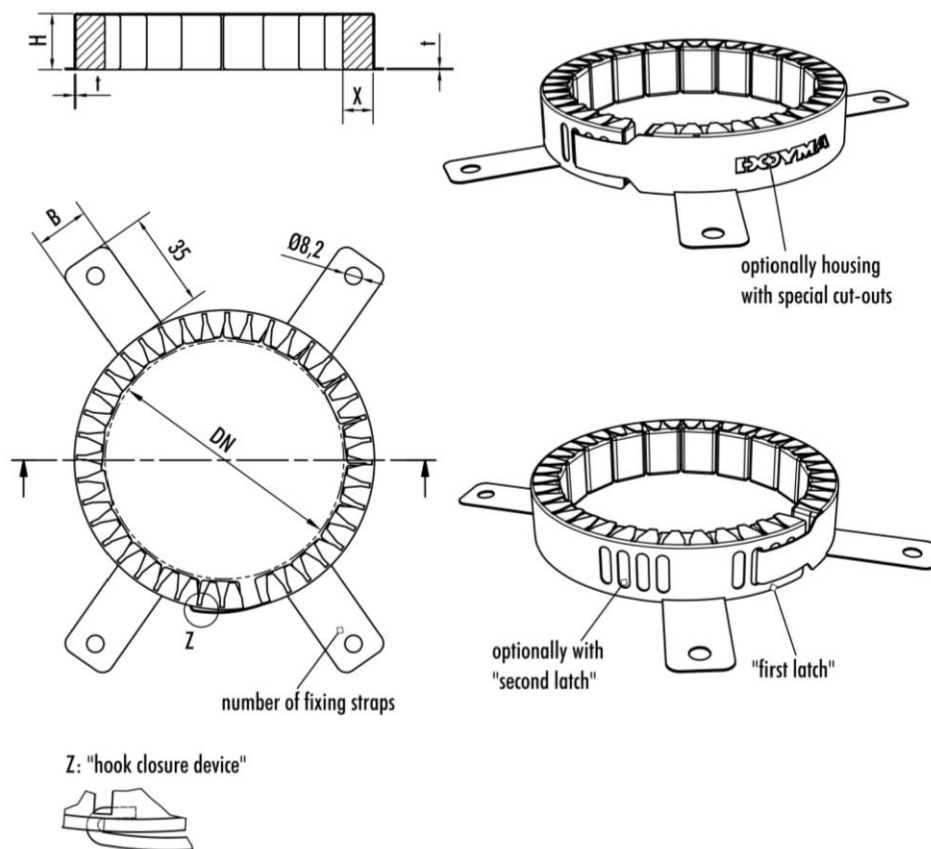
The tested/ illustrated seals are only examples for the use.

"Curaflam XS Pro" also marketed as "DBM"

Description of the construction products, properties and performances

Annex 2

Dimensions of the collars DN 32 - 200

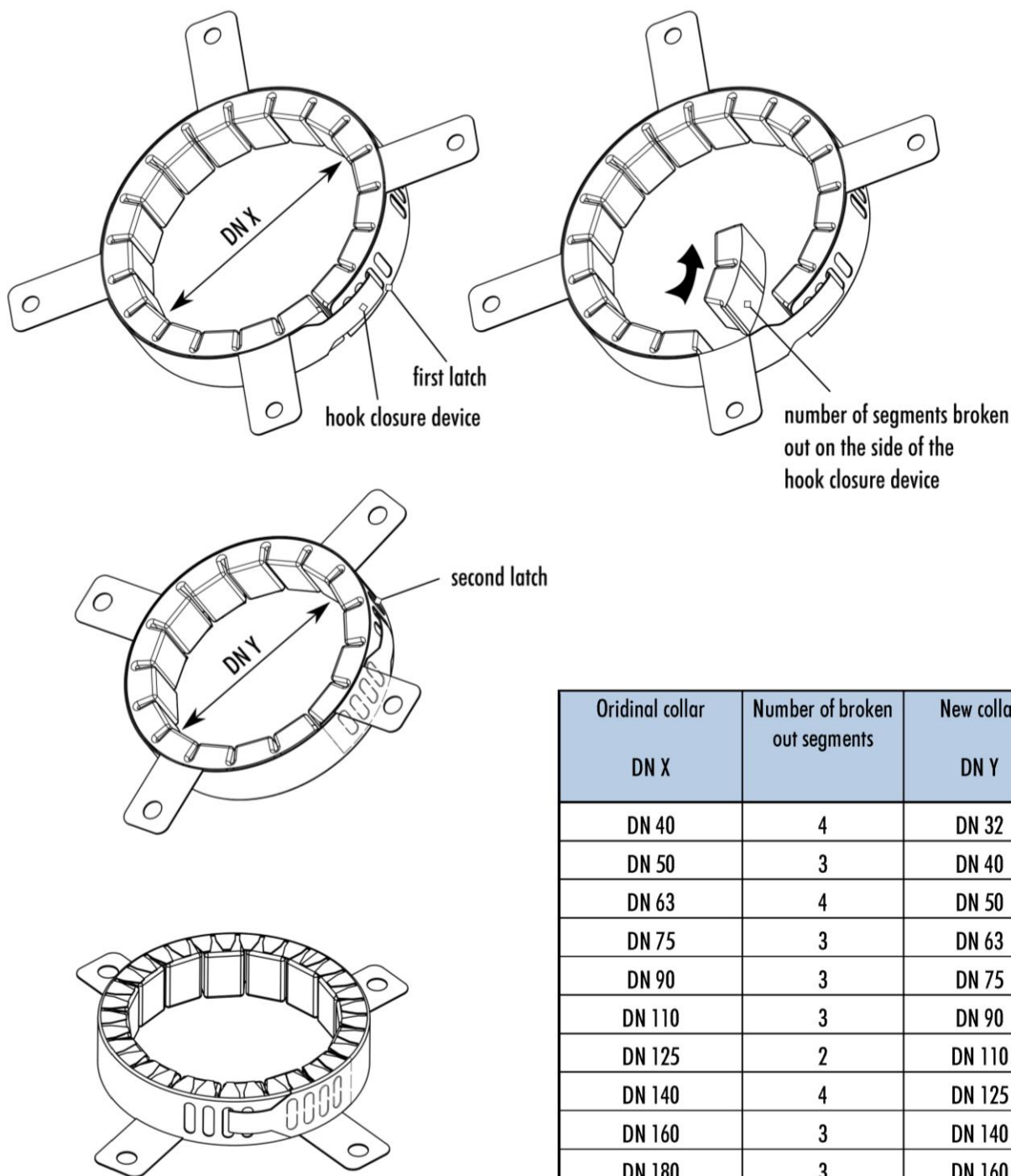


DN [mm]	H [mm]	B [mm]	t [mm]	Number of fixing straps	X [mm]
32	30	15	0,6	3	6
40	30	15	0,6	3	7,8
50	30	15	0,6	3	9,6
63	30	15	0,6	4	10,4
75	30	15	0,6	4	12
90	30	25	0,6	4	12,8
110	30	25	0,8	4	14,5
125	50	20	1	4	13,2
140	50	20	1	4	18
160	50	20	1	5	20
180	50	20	1	5	24
200	50	20	1	6	28

"Curaflam XS Pro" also marketed as "DBM"

Design of the pipe collar in the size DN 32 to DN 200

Annex 3



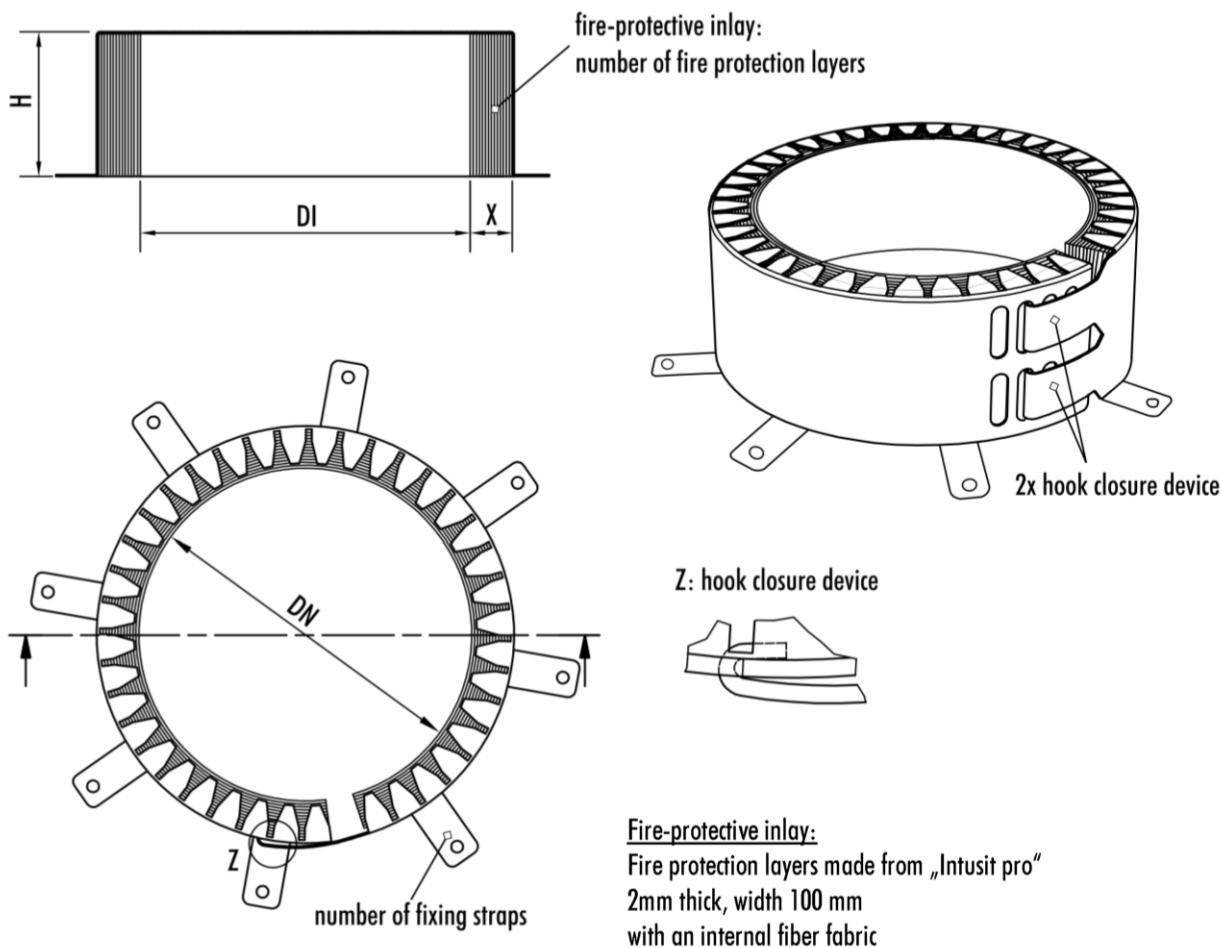
electronic copy of the eta by dibt: eta-17/0642

"Curaflam XS Pro" also marketed as "DBM"

Design of the pipe collar in the size DN 32 to DN 200

Annex 4

Dimensions of the collars DN 225 - 315



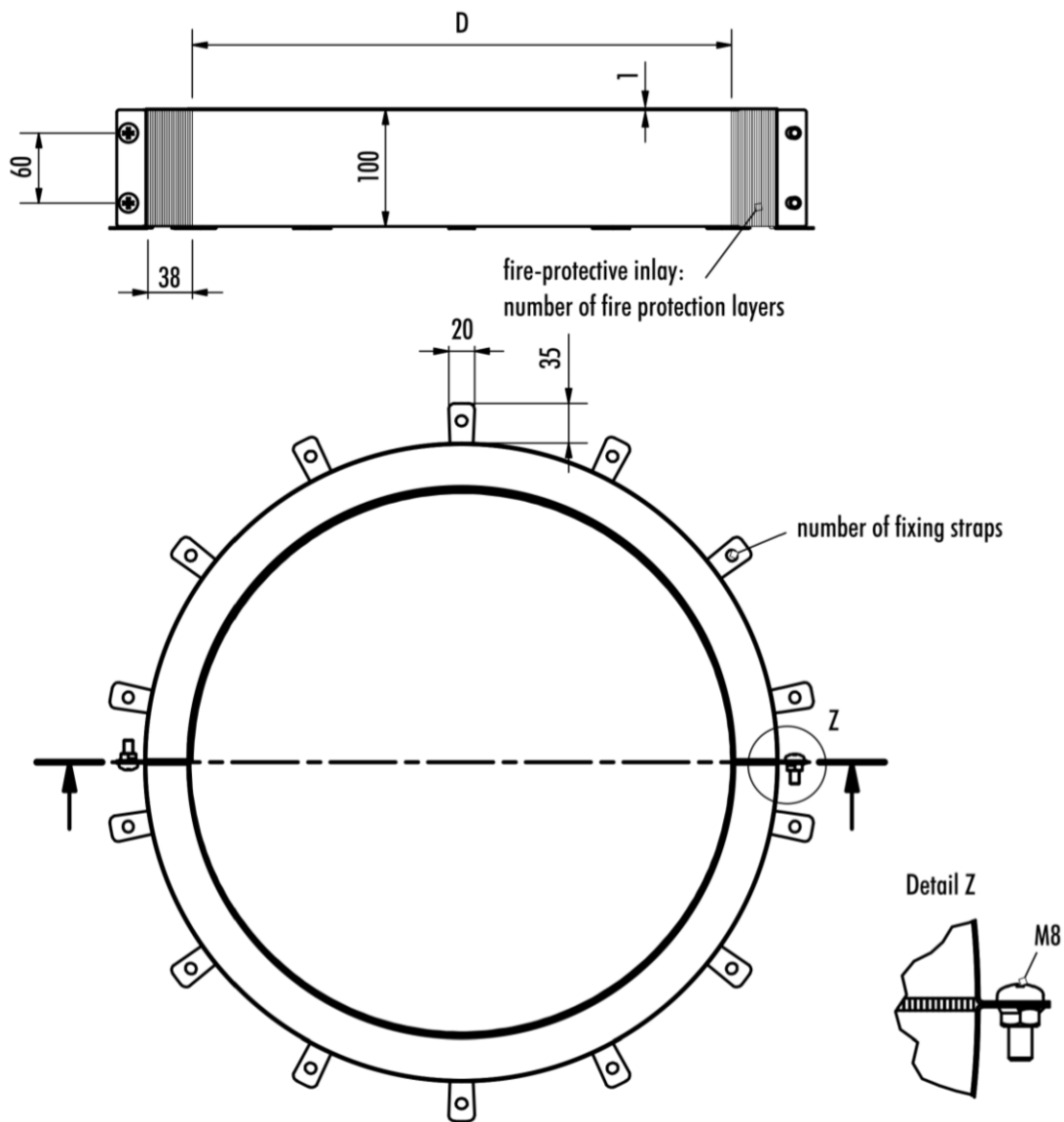
DN [mm]	DI [mm]	H [mm]	Number of fire protection layers	Number of fixing straps	X [mm]
225	240	100	16	8	32
250	265	100	17	8	34
280	295	100	18	10	36
315	330	100	18	10	36

"Curaflam XS Pro" also marketed as "DBM"

Design of the pipe collar in the size DN 225 to DN 315

Annex 5

Dimensions of the collars DN 355 - 450



DN [mm]	D [mm]	Number of fire protection layers	Number of fixing straps
355	370	19	10
400	415	19	12
450	465	19	14

Fire-protective inlay:
Fire protection layers made from „Intusit pro“
2mm thick, width 100 mm
with an internal fiber fabric

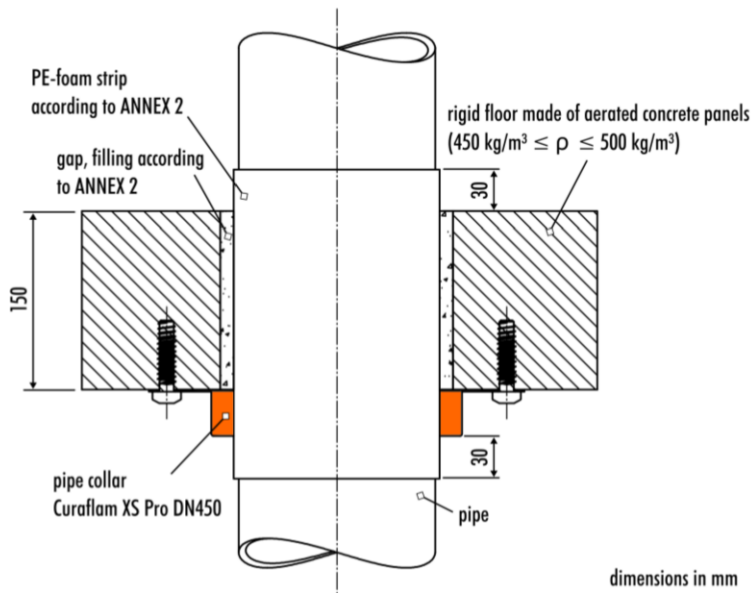
"Curaflam XS Pro" also marketed as "DBM"

Design of the pipe collar in the size DN 355 to DN 450

Annex 6

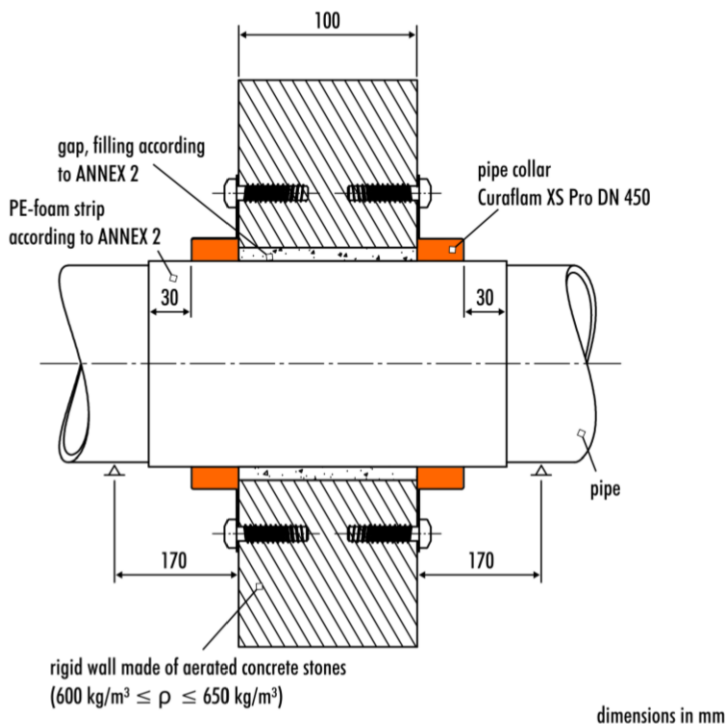
Application example: Pipe penetration seal with pipes installed perpendicular to the surface

Floor installation: (Opening dimension ~Ø500 mm)



Pipe	Dimension	Class
PE-HD	450 x 40,9	EI 90-U/C

Wall installation: (Opening dimension b x h ~500 mm x 500 mm)



Pipe	Dimension	Class
PE-HD	450 x 40,9	EI 90-U/C

"Curaflam XS Pro" also marketed as "DBM"

Example for a pipe sealing of fire resistance class EI 90-U/C, using pipe collar "Curaflam XS Pro" also marketed as "DBM", in the size DN 450 – floor installation and wall installation -

Annex 7