

Approval body for construction products
and types of construction

Bautechnisches Prüfamt

An institution established by the Federal and
Laender Governments



European Technical Assessment

ETA-07/0257
of 29 May 2018

English translation prepared by DIBt - Original version in German language

General Part

Technical Assessment Body issuing the
European Technical Assessment:

Deutsches Institut für Bautechnik

Trade name of the construction product

HALFEN Chemical Anchor HB-V

Product family
to which the construction product belongs

Bonded fastener for use in concrete

Manufacturer

Halfen GmbH
Liebigstraße 14
40764 Langenfeld
DEUTSCHLAND

Manufacturing plant

Halfen Herstellwerk HB1
Halfen Herstellwerk HB2

This European Technical Assessment
contains

12 pages including 3 annexes which form an integral part
of this assessment

This European Technical Assessment is
issued in accordance with Regulation (EU)
No 305/2011, on the basis of

EAD 330499-00-0601

The European Technical Assessment is issued by the Technical Assessment Body in its official language. Translations of this European Technical Assessment in other languages shall fully correspond to the original issued document and shall be identified as such.

Communication of this European Technical Assessment, including transmission by electronic means, shall be in full. However, partial reproduction may only be made with the written consent of the issuing Technical Assessment Body. Any partial reproduction shall be identified as such.

This European Technical Assessment may be withdrawn by the issuing Technical Assessment Body, in particular pursuant to information by the Commission in accordance with Article 25(3) of Regulation (EU) No 305/2011.

Specific Part

1 Technical description of the product

The HALFEN Chemical Anchor HB-V is a bonded anchor consisting of a glass capsule HB-V-P and a threaded anchor rod with hexagon nut and washer. The anchor rod (including nut and washer) is made of zinc-plated steel, hot-dip galvanised steel, stainless steel or made of high corrosion resistant steel.

The glass capsule is placed into the hole and the anchor rod is driven by machine with simultaneous hammering and turning. The anchor rod is anchored via the bond between anchor rod, chemical mortar and concrete.

The product description is given in Annex A.

2 Specification of the intended use in accordance with the applicable European Assessment Document

The performances given in Section 3 are only valid if the anchor is used in compliance with the specifications and conditions given in Annex B.

The verifications and assessment methods on which this European Technical Assessment is based lead to the assumption of a working life of the anchor of at least 50 years. The indications given on the working life cannot be interpreted as a guarantee given by the producer, but are to be regarded only as a means for choosing the right products in relation to the expected economically reasonable working life of the works.

3 Performance of the product and references to the methods used for its assessment

3.1 Mechanical resistance and stability (BWR 1)

Essential characteristic	Performance
Characteristic resistance to tension load (static and quasi-static loading)	See Annex C 1
Characteristic resistance to shear load (static and quasi-static loading)	See Annex C 2
Displacements (static and quasi-static loading)	See Annex C 1 and C 2
Characteristic resistance and displacements for seismic performance categories C1 and C2	No performance assessed

3.2 Hygiene, health and the environment (BWR 3)

Essential characteristic	Performance
Content, emission and/or release of dangerous substances	No performance assessed

4 Assessment and verification of constancy of performance (AVCP) system applied, with reference to its legal base

In accordance with the European Assessment Document EAD 330499-00-0601 the applicable European legal act is: [96/582/EC].

The system to be applied is: 1

English translation prepared by DIBt

5 Technical details necessary for the implementation of the AVCP system, as provided for in the applicable European Assessment Document

Technical details necessary for the implementation of the AVCP system are laid down in the control plan deposited at Deutsches Institut für Bautechnik.

Issued in Berlin on 29 May 2018 by Deutsches Institut für Bautechnik

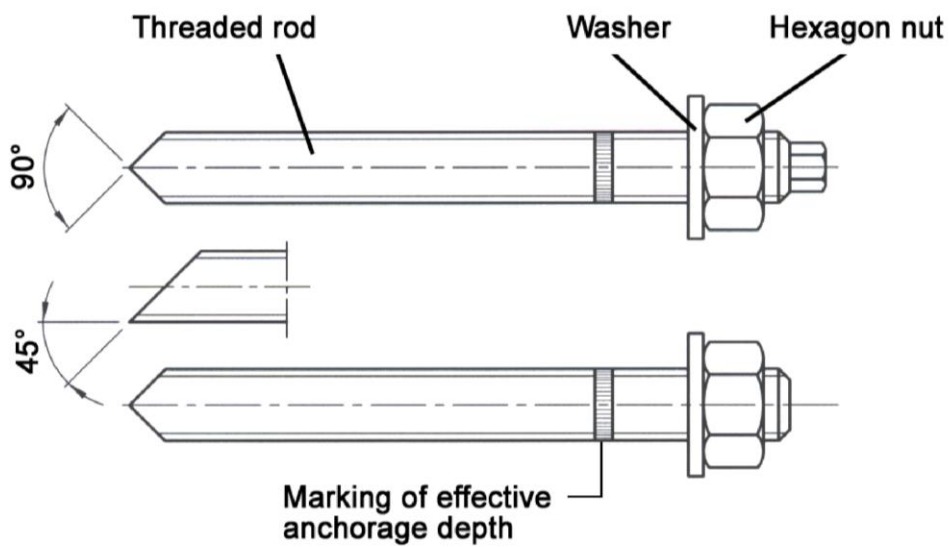
BD Dipl.-Ing. Andreas Kummerow
Head of Department

beglaubigt:
Baderschneider

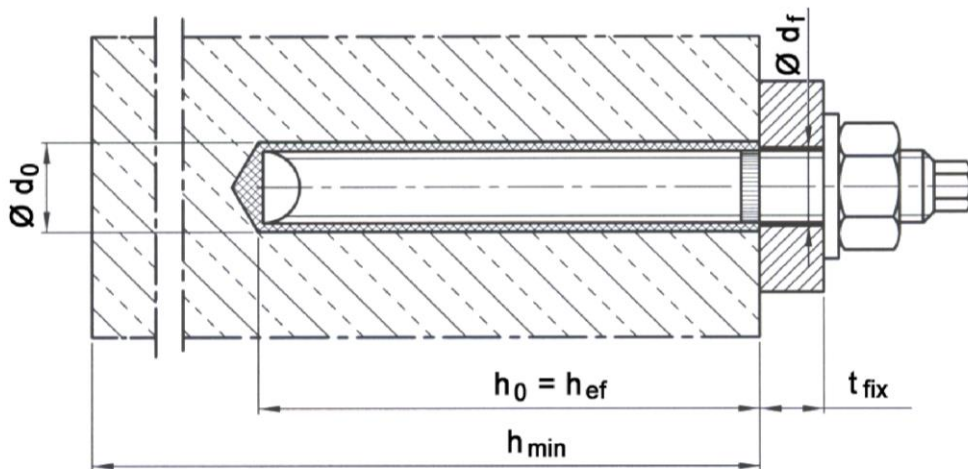
Glass Capsule HB-V-P



Threaded rod HB-V-A



Installation condition



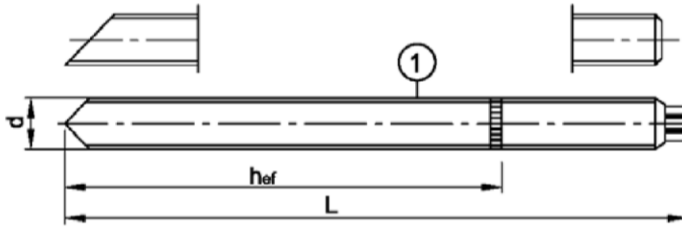
HALFEN Chemical Anchor HB-V

Product description
Installation situation

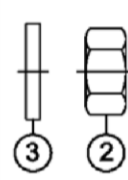
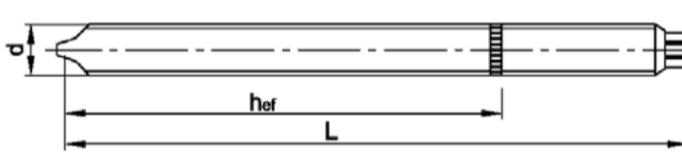
Annex A1

Threaded rod HB-V-A

Machined steel



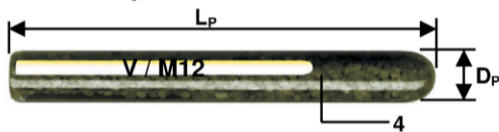
Cold formed



Marking: e.g.

- ◇ M12
- ◇ Identifying mark of manufacturing plant
additional marking of lengths
for anchor size M12
- H marking of length
- M12 Size of thread
- ◇ M12-8
- 8 additional marking of
Steel grade 8.8
- ◇ M12 A4
- A4 additional marking of
Stainless steel A4
- ◇ M12 HCR
- HCR additional marking of
High corrosion resistant steel HCR

Glass capsule HB-V-P



Marking of length	E	F	G	H	I	J	K
Length of anchor min ≥	88,9	101,6	114,3	127,0	139,7	152,4	165,1
Length of anchor max <	101,6	114,3	127,0	139,7	152,4	165,1	177,8

Marking of length	L	M	N	O	P	Q	R
Length of anchor min ≥	177,8	190,5	203,2	215,9	228,6	241,3	254,0
Length of anchor max <	190,5	203,2	215,9	228,6	241,3	254,0	279,4

Marking of length	S	T	U	V	W	X	Y	Z
Length of anchor min ≥	279,4	304,8	330,2	355,6	381,0	406,4	431,8	457,2
Length of anchor max <	304,8	330,2	355,6	381,0	406,4	431,8	457,2	483,0



Table A1: Dimensions

Part	Anchor size			M8	M10	M12	M16	M20	M24
		d	[mm]	8	10	12	16	20	24
1	Threaded rod	L ¹⁾ ≥	[mm]	95	100	120	140	190	235
		hef	[mm]	80	90	110	125	170	210
2	Hexagon nut	SW	[mm]	13	17	19	24	30	36
4	Glass capsule	Dp	[mm]	9	11	13	17	22	24
		Lp	[mm]	80	80	95	95	175	210

¹⁾ other lengths on demand

dimensions in mm

HALFEN Chemical Anchor HB-V

Product description
Marking and dimensions

Annex A2

Table A2: Materials

Part	Designation	Materials
Steel, zinc plated galvanised $\geq 5 \mu\text{m}$ acc. to EN ISO 4042:1999 or hot-dip galvanised acc. to EN ISO 10684:2004+AC:2009		
1	Anchor rod	Steel, property class 5.8; 8.8, $A_5 > 8 \%$ fracture elongation
2	Hexagon nut	Steel, Property class 5 (for anchor rods class 5.8) Property class 8 (for anchor rods class 8.8) acc. to EN ISO 898-2:2013
3	Washer	Steel, zinc plated
Stainless steel A4		
1	Anchor rod	Material 1.4401 / 1.4404 / 1.4571 / 1.4362 / 1.4578 acc. to EN 10088-3:2014 Property class 70 and property class 80 $A_5 > 8\%$ fracture elongation
2	Hexagon nut	Stainless steel A4 Property class 70 (for anchor rods class 70), Property class 80 (for anchor rods class 80) acc. to EN ISO 3506-2:2009
3	Washer	Stainless steel A4 acc. to EN ISO 3506-1:2009
High corrosion resistant steel HCR		
1	Anchor rod	Material 1.4529 / 1.4565 acc. to EN 10088-3:2014 Property class 70 $A_5 > 8\%$ fracture elongation
2	Hexagon nut	Material 1.4529 / 1.4565 acc. to EN 10088-3:2014 Property class 70, acc. EN ISO 3506-2:2009
3	Washer	Material 1.4529 / 1.4565 acc. to EN 10088-3:2014
Glass capsule		
4	Glass capsule	Glass, Quartz, Resin, Hardener

HALFEN Chemical Anchor HB-V

Produktbeschreibung
Materials

Annex A3

Specifications of intended use

HALFEN Chemical Anchor HB-V		Anchor rod HB-V-A					
		M8	M10	M12	M16	M20	M24
Static or quasi-static action		✓					
Base materials		reinforced or unreinforced normal weight concrete without fibres acc. to EN 206:2013					
		strength classes C20/25 to C50/60, acc. to EN 206:2013					
		uncracked concrete					
Temperature Range I	-40°C to +40°C	max long term temperature +24°C and max short term temperature +40°C					
Temperature Range II	-40°C to +80°C	max long term temperature +50°C and max short term temperature +80°C					

Use conditions (environmental conditions):

- Structures subject to dry internal conditions (zinc plated steel, stainless steel or high corrosion resistant steel)
- Structures subject to external atmospheric exposure (including industrial and marine environment) and to permanently damp internal condition, if no particular aggressive conditions exist (stainless steel or high corrosion resistant steel)
- Structures subject to external atmospheric exposure and to permanently damp internal condition, if other particular aggressive conditions exist (high corrosion resistant steel)

Note: Particular aggressive conditions are e.g. permanent, alternating immersion in seawater or the splash zone of seawater, chloride atmosphere of indoor swimming pools or atmosphere with extreme chemical pollution (e.g. in desulphurization plants or road tunnels where de-icing materials are used)

Design:

- Verifiable calculation notes and drawings are prepared taking account of the loads to be anchored. The position of the anchor is indicated on the design drawings (e.g. position of the anchor relative to reinforcement or to supports, etc.)
- Anchorages are designed under the responsibility of an engineer experienced in anchorages and concrete work
- Anchorages are designed in accordance with FprEN 1992-4:2016 and TR 055

HALFEN Chemical Anchor HB-V

Intended use
Specifications

Annex B1

Table B1: Installation parameters

Anchor size		M8	M10	M12	M16	M20	M24
Nominal diameter of drill hole	d_0 [mm]	10	12	14	18	25	28
Cutting diameter of drill hole	$d_{cut} \leq$ [mm]	10,5	12,5	14,5	18,5	25,5	28,5
Depth of drill hole	h_0 [mm]	80	90	110	125	170	210
Effective anchorage depth	h_{ef} [mm]	80	90	110	125	170	210
Diameter of clearance hole in the fixture	d_f [mm]	9	12	14	18	22	26
Diameter of steel brush	d_b [mm]	11	13	16	20	27	30
Maximum installation torque	T_{inst} [Nm]	10	20	40	80	120	180



Table B2: Minimum member thickness, edge distance and spacing

Anchor size		M8	M10	M12	M16	M20	M24
Minimum member thickness	h_{min} [mm]	110	120	140	160	220	260
Minimum edge distance	c_{min} [mm]	40	45	55	65	85	105
Minimum spacing	s_{min} [mm]	40	45	55	65	85	105

Table B3: Minimum curing time

Temperature in the drill hole	Minimum curing time	
	dry concrete	wet concrete
$\geq 0^\circ\text{C}$	5 h	10 h
$\geq + 5^\circ\text{C}$	1 h	2 h
$\geq +20^\circ\text{C}$	20 min	40 min
$\geq +30^\circ\text{C}$	10 min	20 min

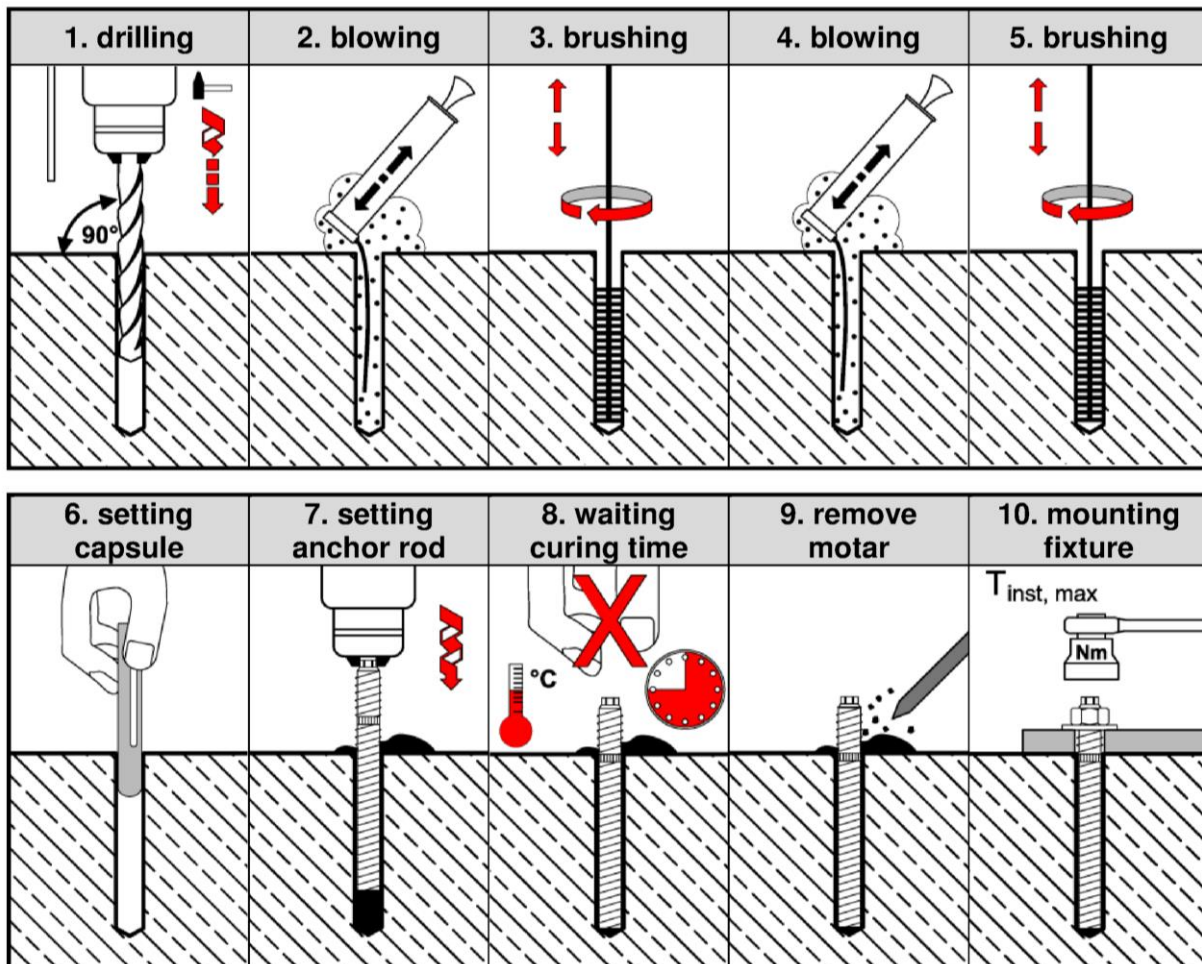
HALFEN Chemical Anchor HB-V

Intended use
Installation parameters / Curing Time

Annex B2

Installation

- Anchor installation carried out by appropriately qualified personnel and under the supervision of the person responsible for technical matters of the site
- Dry or wet concrete, all sizes
- Hole drilling by hammer drilling
- Cleaning the drill hole:
Removing possibly existing water in the drill hole completely and cleaning the drill hole by at least one blowing operation, by at least 1 x blowing / 1 x brushing / 1 x blowing / 1 x brushing operation by using the steel brush supplied by the manufacturer; before brushing cleaning the brush and checking whether the brush diameter according to Annex B2, Table B1 is still sufficient. The steel brush shall produce natural resistance as it enters the anchor hole. If this is not the case a new brush or a brush with a larger diameter must be used.
- Curing time must be observed prior to loading the anchor.
- Observe expiration date



HALFEN Chemical Anchor HB-V

Intended use
Installation

Annex B3

Table C1: Characteristic values for tension loads

Anchor size				M8	M10	M12	M16	M20	M24
Steel failure									
Characteristic resistance	Steel, zinc plated property class 5.8	$N_{Rk,s}$	[kN]	18	29	42	78	123	177
	Steel, zinc plated property class 8.8	$N_{Rk,s}$	[kN]	29	46	67	126	196	282
	Stainless steel A4 property class 70	$N_{Rk,s}$	[kN]	26	40	59	110	172	247
	Stainless steel A4 property class 80	$N_{Rk,s}$	[kN]	29	46	67	126	196	282
	High corrosion resistant steel HCR	$N_{Rk,s}$	[kN]	26	40	59	110	172	247
Combined pull-out and concrete failure									
Characteristic resistance in uncracked concrete C20/25 to C50/60									
Temperature range I		τ_{Rk}	[N/mm ²]	10	11	9,5	9,5	8,5	7,5
Temperature range II		τ_{Rk}	[N/mm ²]	10	11	9,5	8,0	7,0	5,5
Concrete cone failure									
Factor for k_1		$k_{ucr,N}$	[-]	11,0					
Edge distance		$c_{cr,N}$	[mm]	1,5 h_{ef}					
Spacing		$s_{cr,N}$	[mm]	3 h_{ef}					
Splitting									
Characteristic resistance		$N^0_{Rk,sp}$	[kN]	min [$N^0_{Rk,p}$; $N^0_{Rk,c}$]					
Edge distance		$c_{cr,sp}$	[mm]	1,5 h_{ef}	1 h_{ef}				
Spacing		$s_{cr,sp}$	[mm]	3 h_{ef}	2 h_{ef}				
Installation factor		γ_{inst}	[-]	1,2					

Table C2: Displacements under tension load

Anchor size				M8	M10	M12	M16	M20	M24
Tension load		N	[kN]	8	12	16	20	30	38
Displacement		δ_{N0}	[mm]	0,1	0,2	0,2	0,2	0,5	0,4
		$\delta_{N\infty}$	[mm]	0,5					

HALFEN Chemical Anchor HB-V

Performance
Characteristic values and displacements under **tension load**

Annex C1

Table C3: Characteristic values for shear loads

Anchor size			M8	M10	M12	M16	M20	M24
Steel failure without lever arm								
Characteristic shear resistance	Steel, zinc plated property class 5.8	$V_{RK,s}^0$ [kN]	9	14	21	39	61	88
	Steel, zinc plated property class 8.8	$V_{RK,s}^0$ [kN]	15	23	33	63	98	141
	Stainless steel A4 property class 70	$V_{RK,s}^0$ [kN]	13	20	29	55	86	124
	Stainless steel A4 property class 80	$V_{RK,s}^0$ [kN]	15	23	33	62	98	141
	High corrosion resistant steel HCR	$V_{RK,s}^0$ [kN]	13	20	29	55	86	124
Ductility factor	k_7 [-]	0,8						
Steel failure with lever arm								
Characteristic bending moment	Steel, zinc plated property class 5.8	$M_{RK,s}^0$ [Nm]	19	37	65	166	325	561
	Steel, zinc plated property class 8.8	$M_{RK,s}^0$ [Nm]	30	60	105	266	519	898
	Stainless steel A4 property class 70	$M_{RK,s}^0$ [Nm]	26	52	92	233	454	785
	Stainless steel A4 property class 80	$M_{RK,s}^0$ [Nm]	30	60	105	266	519	898
	High corrosion resistant steel HCR	$M_{RK,s}^0$ [Nm]	26	52	92	233	454	785
Pry-out failure								
Factor	k_8 [-]	2,0						
Concrete edge failure								
Effective length of anchor	l_f [mm]	80	90	110	125	170	210	
Effective diameter of anchor	d_{nom} [mm]	10	12	14	18	25	28	
Installation factor	γ_{inst} [-]	1,0						

Table C4: Displacements under shear load

Anchor size			M8	M10	M12	M16	M20	M24
Shear load	V [kN]	5	8	12	22	35	50	
Displacement	δ_{V0} [mm]	2	3	3	4	5	5	
	$\delta_{V\infty}$ [mm]	4	5	5	6	7	7	

HALFEN Chemical Anchor HB-V

Performance
Characteristic values and displacements under **shear load**

Annex C2