

Approval body for construction products
and types of construction

Bautechnisches Prüfamt

An institution established by the Federal and
Laender Governments



European Technical Assessment

ETA-08/0127
of 10 April 2018

English translation prepared by DIBt - Original version in German language

General Part

Technical Assessment Body issuing the
European Technical Assessment:

Deutsches Institut für Bautechnik

Trade name of the construction product

Brillux WDVS MW Pulverkleber

Product family
to which the construction product belongs

Product area code: 4
External Thermal Insulation Composite System with
rendering on mineral wool for use on building walls

Manufacturer

Brillux GmbH & Co. KG
Weseler Straße 401
48163 Münster
DEUTSCHLAND

Manufacturing plant

Brillux GmbH & Co. KG
Weseler Straße 401
48163 Münster
DEUTSCHLAND

This European Technical Assessment
contains

20 pages including 4 annexes which form an integral part
of this assessment

Annex 5 Control Plan contains confidential information
and is not included in the European Technical
Assessment when that assessment is publicly available

This European Technical Assessment is
issued in accordance with Regulation (EU)
No 305/2011, on the basis of

ETAG 004, edition 2000, amended 2013,
used as EAD according to Article 66 Paragraph 3 of
Regulation (EU) No 305/2011.

The European Technical Assessment is issued by the Technical Assessment Body in its official language. Translations of this European Technical Assessment in other languages shall fully correspond to the original issued document and shall be identified as such.

Communication of this European Technical Assessment, including transmission by electronic means, shall be in full. However, partial reproduction may only be made with the written consent of the issuing Technical Assessment Body. Any partial reproduction shall be identified as such.

This European Technical Assessment may be withdrawn by the issuing Technical Assessment Body, in particular pursuant to information by the Commission in accordance with Article 25(3) of Regulation (EU) No 305/2011.

Specific Part

1 Technical description of the product

1.1 Definition of the kit

This product is an External Thermal Insulation Composite System (ETICS) with rendering - a kit comprising components which are factory-produced by the manufacturer or component suppliers. It's made up on site from these. The ETICS manufacturer is ultimately responsible for all components of the ETICS specified in this ETA.

The ETICS kit comprises a prefabricated insulation product of mineral wool (MW) to be bonded and if it necessary additional mechanically fixed onto a wall. The methods of fixing and the relevant components are specified in the table below.

The insulation product is faced with a rendering system consisting of one base coat and finishing coat (site applied), in which the base coat contains reinforcement. The rendering is applied directly to the insulating panels, without any air gap or disconnecting layer.

The ETICS may include special fittings (e.g. base profiles, corner profiles ...) for connection to adjacent building elements (apertures, corners, parapets ...). Assessment and performance of these components is not addressed in this ETA, however the ETICS manufacturer is responsible for adequate compatibility and performance within the ETICS when the components are delivered as a part of the kit.

1.2 Composition of the ETICS

	Components National application documents shall be taken into account	Coverage [kg/m ²]	Thickness [mm]
Insulation material with associated method of fixing	Bonded ETICS: <ul style="list-style-type: none"> • Insulation product (see annex 1 for product characteristics) factory-prefabricated mineral wool (MW) product <ul style="list-style-type: none"> - MW lamella • Adhesives <ul style="list-style-type: none"> - Brillux WDVS Pulverkleber 3550 (cement based powder requiring addition of about 24 % of water) - Brillux WDVS Pulverkleber VZ 3600 (cement based powder requiring addition of about 22 % of water) 	-	≤ 200
	Mechanically fixed ETICS with profiles and supplementary adhesive: <ul style="list-style-type: none"> • Insulation product (see annex 1 for product characteristics) factory-prefabricated mineral wool (MW) product <ul style="list-style-type: none"> - MW panel, $\sigma_{mt} \geq 14$ kPa • Supplementary adhesive (equal to bonded ETICS) • Profiles (see annex 3 for product characteristics) 	-	60 to 200

	Components National application documents shall be taken into account	Coverage [kg/m ²]	Thickness [mm]
Insulation material with associated method of fixing	<ul style="list-style-type: none"> - "Brillux WDVS Alu-Halteleiste 3579" and - "Brillux WDVS Alu-Verbindungsleiste 3580" Aluminium (Al) – profiles <ul style="list-style-type: none"> • Anchors for profiles (see annex 2 for product characteristics) <ul style="list-style-type: none"> - WS 8 L - WS 8 N - ejothem SDK U - SDF-K plus - ejothem NK U • Anchors for insulation product if necessary (equal to mechanically fixed ETICS with anchors and supplementary adhesive, see below) 		
	Mechanically fixed ETICS with anchors and supplementary adhesive: <ul style="list-style-type: none"> • Insulation product (see annex 1 for product characteristics) factory-prefabricated mineral wool (MW) product <ul style="list-style-type: none"> - MW panel - MW lamella • Supplementary adhesive (equal to bonded ETICS, • Anchors for insulation product (see annex 2 for product characteristics) all anchors with ETA according to EAD330196-01-0604¹ with characteristics defined in annex 2 	–	60 to 200
Base coat	Brillux WDVS Pulverkleber 3550 Brillux WDVS Pulverkleber VZ 3600 Identical with the equally named adhesives given above.	} about 4.5 (powder)	2.5 to 4.0
Glass fibre mesh	Brillux WDVS Glasseidengewebe 3797 Alkali- and slide-resistant glass fibre mesh with mass per unit area of about 165 g/m ² and mesh size of about 4.0 mm x 4.0 mm. (see annex 4 for product characteristics)	–	–
	Brillux WDVS Panzergewebe 3773 (implemented in addition to the standard mesh to improve the impact resistance) Alkali- and slide-resistant glass fibre mesh with mass per unit area of about 530 g/m ² . (see annex 4 for product characteristics)	–	–

¹ EAD330196-01-0604 Plastic anchors for fixing of external thermal insulation composite systems with rendering

	Components National application documents shall be taken into account	Coverage [kg/m ²]	Thickness [mm]
Key coat	<ul style="list-style-type: none"> • Brillux Putzgrundierung 3710 Ready to use pigmented liquid – vinylic binder • Brillux Silicon-Putzgrundierung 3644 Ready to use pigmented liquid – vinylic/siloxane binder • Brillux Silikat-Streichfüller 3639 Ready to use pigmented liquid – acrylic/silicate binder For the compatibility with the finishing coats see below 	about 0.25	– – –
Finishing coat	<p>to use with key coat "Brillux Putzgrundierung 3710" if applicable**:</p> <ul style="list-style-type: none"> • Thick layered cement based powder requiring addition of about 30 % (structures KR / R) of water and of about 48 % (structure G) of water: Brillux Mineral-Leichtputz KR / R* (particle size 2 – 3 – 4 and 5 mm) Brillux Mineral Leichtputz G <p>to use with Brillux Silikat-Streichfüller 3639**</p> <ul style="list-style-type: none"> • Ready to use pastes – acrylic/silicate binder: Brillux Silikat-Putz KR/R* (particle size 1 – 2 – 3 mm) <p>to use with Brillux Putzgrundierung 3710**</p> <ul style="list-style-type: none"> • Ready to use pastes – vinylic binder: Brillux Rausan KR/R* (particle size 1 – 2 – 3 – 4 and 5 mm) <p>To use with Brillux Silicon Putzgrundierung 3644**</p> <ul style="list-style-type: none"> • Ready to use pastes – vinylic/siloxane binder: Brillux Silicon-Putz KR/R* (particle size 1 – 2 – 3 – 4 and 5 mm) Brillux Silcosil KR/R* (particle size 1 – 2 – 3 – 4 and 5 mm) <p>To use with Brillux Putzgrundierung 3710**</p> <ul style="list-style-type: none"> • Ready to use paste – acrylic binder – associated with synthetic briquetts: Brillux Klebemörtel 3485 mit Brillux Flachverblender 	<p>about 2.5 to 5.0 (powder)</p> <p>2.5 to 4.0</p> <p>2.5 to 5.0</p> <p>3.0 to 4.0 5.0 to 6.0</p>	<p>regulated by particle size 3.0 to 5.0</p> <p>regulated by particle size</p> <p>regulated by particle size</p> <p>1.0 to 2.0 4.0 to 6.0</p>
Ancillary material	Remains the responsibility of the manufacturer.		
<p>* KR/R indicates different structures of the finishing coat/s. ** The instruction to the installer concerning the use of a key coat remains the responsibility of the manufacturer.</p>			

2. Specification of the intended use in accordance with the applicable European assessment Document (hereinafter called EAD)

2.1 Intended use

This ETICS is intended to be used as external insulation to the walls of buildings made of masonry (bricks, blocks, stones ...) or concrete (cast on site or as prefabricated panels) with and without rendering. The characteristics of the walls shall be verified prior to use of the ETICS, especially regarding conditions for reaction to fire classification and for fixing of the ETICS either by bonding or mechanically. It shall be designed to give the wall to which it is applied satisfactory thermal insulation.

The ETICS is non load-bearing construction element. It does not contribute directly to the stability of the wall on which it is installed, but it can contribute to durability by providing enhanced protection from the effects of weathering.

The ETICS can be used on new or existing (retrofit) vertical walls.

The ETICS is not intended to ensure the air tightness of the building structure.

The choice of the method of fixing depends on the characteristics of the substrate, which could need preparation (see clause 7.2.1 of ETAG 004) and on the national instructions.

The verifications and assessment methods on which this European Technical Assessment (hereinafter called ETA) is based lead to the assumption of a working life of the ETICS "Brillux WDVS MW Pulverkleber" of at least 25 years. The indications given on the working life cannot be interpreted as a guarantee given by the manufacturer, but are to be regarded only as a means for choosing the right products in relation to the assumed economically reasonable working life of the works.

2.2 Manufacturing

The ETA is issued for the ETICS on the basis of agreed data/information, deposited with the DIBt, which identifies the ETICS that has been assessed and judged. Changes to the ETICS or the components or their production process, which could result in this deposited data/information being incorrect, should be notified to the DIBt before the changes are introduced. The DIBt will decide whether such changes affect the approval and consequently the validity of the CE marking on the basis of the approval and if so whether further assessment or alterations to the approval shall be necessary.

2.3 Design and installation

The installation instructions including special installation techniques and provisions for the qualification of the personnel are given in the manufacturer's technical documentation.

Design, installation and execution of ETICS are to be in conformity with national documents. Such documents and the level of their implementation in Member States' legislation are different. Therefore, the assessment and declaration of performance are done taking into account general assumptions introduced in the chapters 7.1 and 7.2 of ETAG 004 used as EAD, which summarize how information introduced in the ETA and related documents is intended to be used in the construction process and gives advice to all parties interested when normative documents are missing.

2.4 Packing, transport and storage

The information on packaging, transport and storage is given in the manufacturer's technical documentation. It is the responsibility of the manufacturer to ensure that this information is made known to the concerned people.

English translation prepared by DIBt

2.5 Use, maintenance, repair

The finishing coat shall normally be maintained in order to fully preserve the ETICS performance. Maintenance includes at least:

- visual inspection of the ETICS
- the repairing of localized damaged areas due to accidents
- the aspect maintenance with products adapted and compatible with the ETICS (possibly after washing or ad hoc preparation)

Only products which are compatible with the ETICS shall be used.

Necessary repairs should be performed as soon as the need has been identified.

The information on use, maintenance and repair is given in the manufacturer's technical documentation.

It is the responsibility of the manufacturer to ensure that this information is made known to the concerned people.

3 Characteristics of products and methods of verification

3.0 General

The performances of the kit as described in this chapter are valid provided that the components of the kit comply with Annexes 1 to 4.

3.1 Mechanical resistance and stability (BWR 1)

not relevant

3.2 Safety in case of fire (BWR 2)

Reaction to fire (ETAG 004 - clause 5.1.2)

Configurations	Organic content	Flame retardant content	Euroclass according to EN 13501-1:2007
Base coat	max. 3.4 %	no flame retardant	
Mineral wool-insulation product	in quantity ensuring Euroclass A1 according to EN 13501-1	no flame retardant	
profiles	-	-	
anchors	-	-	
rendering system: Base coat with finishing coat and compatible key coat indicated in clause 1.2:			
Brillux Putzgrundierung 3710 with Brillux Mineral-Leichtputz KR / R /G	max. 1.5 %	no flame retardant	A2 – s1,d0
Brillux Silikat-Streichfüller 3639 with Brillux Silikat-Putz KR / R	max. 4.4 %		

Configurations	Organic content	Flame retardant content	Euroclass according to EN 13501-1:2007
Brillux Putzgrundierung 3710 with Brillux Rausan KR/R	max. 9.9 %	min. 12.8 %	A2 – s1,d0
Brillux Silicon Putzgrundierung 3644 with Brillux Silicon-Putz KR/R			
Brillux Silicon Putzgrundierung 3644 with Brillux Silcosil KR/R			
Brillux Putzgrundierung 3710 with Brillux Klebemörtel 3485 and Brillux Flachverblender	max. 12.5 %	min. 9.0 %	B – s2,d0

3.3 Hygiene, health and environment (BWR 3)

3.3.1 Water absorption (capillarity test) (ETAG 004 – clause 5.1.3.1)

Base coat:

Base coat	Water absorption after 1 h < 1.0 kg/m ²	Water absorption after 24 h < 0.5 kg/m ²
Brillux WDVS Pulverkleber 3550	x	x
Brillux WDVS Pulverkleber VZ 3600	x	x

Rendering system:

Rendering system: Both base coats with finishing coat and compatible key coat indicated hereafter:		Water absorption after 24 hours	
		< 0.5 kg/m ²	≥ 0.5 kg/m ²
	Brillux Mineral-Leichtputz KR/R/G	x	
	Brillux Silikat-Streichfüller 3639 with Brillux Silikat-Putz KR/R	x	
	Brillux Putzgrundierung 3710 with Brillux Rausan KR/R	x	
	Brillux Silicon Putzgrundierung 3644 with Brillux Silicon-Putz KR/R	x	
	Brillux Silicon Putzgrundierung 3644 with Brillux Silcosil KR/R	x	
	Brillux Putzgrundierung 3710 with Brillux Klebemörtel 3485 and Brillux Flachverblender	x	

3.3.2 Hygrothermal behaviour (ETAG 004 – clause 5.1.3.2)

Pass (without defects)

English translation prepared by DIBt

3.3.3 Impact resistance (ETAG 004 – clause 5.1.3.3)

3.3.3.1 ETICS with a total render thickness of less than 6 mm

The verified resistance to hard body impact of the ETICS with both base coats reinforced with a single mesh "Brillux WDVS Glasseidengewebe 3797" and all finishing coats results in category II.

3.3.3.2 ETICS with a total render thickness of not less than 6 mm

Rendering system: Base coat "Brillux WDVS Pulverkleber 3550" with finishing coat and compatible key coat indicated hereafter	"Brillux WDVS Glasseidengewebe 3797"	
	Double mesh	and "Brillux WDVS Panzergewebe 3773"
Brillux Mineral-Leichtputz KR/R/G	Category I	Category I
Brillux Silikat-Streichfüller 3639 with Brillux Silikat-Putz KR/R		
Brillux Putzgrundierung 3710 with Brillux Rausan KR/R		
Brillux Silicon Putzgrundierung 3644 with Brillux Silicon-Putz KR/R		
Brillux Silicon Putzgrundierung 3644 with Brillux Silcosil KR/R		
Brillux Putzgrundierung 3710 with Brillux Klebemörtel 3485 and Brillux Flachverblender		
* The thickness of the base coat is about 6 mm.		

Rendering system: Base coat "Brillux WDVS Pulverkleber VZ 3600" with finishing coat and compatible key coat indicated hereafter	"Brillux WDVS Glasseidengewebe 3797"	
	Double mesh	and "Brillux WDVS Panzergewebe 3773"
Brillux Mineral-Leichtputz KR/R/G	Category II	Category I
Brillux Silikat-Streichfüller 3639 with Brillux Silikat-Putz KR/R	Category I	
Brillux Putzgrundierung 3710 with Brillux Rausan KR/R		
Brillux Silicon Putzgrundierung 3644 with Brillux Silicon-Putz KR/R		
Brillux Silicon Putzgrundierung 3644 with Brillux Silcosil KR/R		
Brillux Putzgrundierung 3710 with Brillux Klebemörtel 3485 and Brillux Flachverblender		
* The thickness of the base coat is about 6 mm.		

English translation prepared by DIBt

3.3.4 Water vapour permeability (ETAG 004 – clause 5.1.3.4)

Rendering system: Both base coats with finishing coat and compatible key coat indicated hereafter (evaluated without decorative coating)	Equivalent air thickness s_d
Brillux Mineral-Leichtputz KR/R/G	≤ 1.0 m (Test result obtained with structure KR particles size 3 mm: 0.2m)
Brillux Silikat-Streichfüller 3639 with Brillux Silikat-Putz KR/R	≤ 1.0 m (Test result obtained with structure KR particles size 3 mm: 0.2m)
Brillux Putzgrundierung 3710 with Brillux Rausan KR/R	≤ 1.0 m (Test result obtained with structure KR particles size 3 mm: 0.3m)
Brillux Silicon Putzgrundierung 3644 with Brillux Silicon-Putz KR/R	≤ 1.0 m (Test result obtained with structure KR particles size 3 mm: 0.3 m)
Brillux Silicon Putzgrundierung 3644 with Brillux Silcosil KR/R	≤ 1.0 m (Test result obtained with structure KR particles size 3 mm: 0.3m)
Brillux Putzgrundierung 3710 with Brillux Klebemörtel 3485 and Brillux Flachverblender	≤ 1.0 m (Test result: 0.6 m)

3.3.5 Release of dangerous substances (ETAG 004 – clause 5.1.3.5, EOTA TR 034)

Essential characteristic	Performance
Release of dangerous substances	no performance assessed

3.4 Safety and accessibility in use (BWR 4)

3.4.1 Bond strength between base coat and insulation product (MW) (ETAG 004 – clause 5.1.4.1.1)

Base coat	Conditioning		
	Initial state	After hygrothermal cycles	After freeze/thaw test
Brillux WDVS Pulverkleber 3550	≥ 0.08 MPa	< 0.08 MPa but failure in the insulation product	Test not required because freeze/thaw cycles not necessary
Brillux WDVS Pulverkleber VZ 3600	≥ 0.08 MPa	< 0.08 MPa but failure in the insulation product	

3.4.2 Bond strength between adhesive and substrate resp. insulation product (MW lamella) (ETAG 004 – clauses 5.1.4.1.2 and 5.1.4.1.3)

Adhesive	Substrate resp. insulation product	Conditioning		
		Initial state	2 d immersion in water and 2 h drying	2 d immersion in water and 7 d drying
Brillux WDVS Pulverkleber 3550	Concrete	≥ 0.25 MPa	≥ 0.08 MPa	≥ 0.25 MPa
	MW lamella	≥ 0.08 MPa	≥ 0.03 MPa	≥ 0.08 MPa
Brillux WDVS Pulverkleber VZ 3600	Concrete	≥ 0.25 MPa	≥ 0.08 MPa	≥ 0.25 MPa
	MW lamella	≥ 0.08 MPa	≥ 0.03 MPa	≥ 0.08 MPa

Bonded surface:

With a bonded surface of 50 % the formula given in clause 6.1.4.1.3 of ETAG 004 is fulfilled and the use as bonded ETICS is possible.

3.4.3 Bond strength after ageing (ETAG 004 – clause 5.1.7.1):

Rendering system: Base coat "Brillux WDVS Pulverkleber 3550" with finishing coat and compatible key coat indicated in hereafter	Brillux Mineral-Leichtputz KR/R/G	≥ 0.08 MPa
	Brillux Silicon Putzgrundierung 3644 with Brillux Silcosil KR/R	
	Brillux Putzgrundierung 3710 with Brillux Rausan KR/R	Experience on site
	Brillux Silicon Putzgrundierung 3644 with Brillux Silicon-Putz KR/R	
	Brillux Silikat-Streichfüller 3639 with Brillux Silikat-Putz KR/R	
	Brillux Putzgrundierung 3710 with Brillux Klebemörtel 3485 and Brillux Flachverblender	

Rendering system: Base coat "Brillux WDVS Pulverkleber VZ 3600" with finishing coat and compatible key coat indicated hereafter	Brillux Mineral-Leichtputz KR/R/G	≥ 0.08 MPa
	Brillux Silikat-Streichfüller 3639 with Brillux Silikat-Putz KR/R	
	Brillux Putzgrundierung 3710 with Brillux Rausan KR/R	
	Brillux Silicon Putzgrundierung 3644 with Brillux Silicon-Putz KR/R	
	Brillux Silicon Putzgrundierung 3644 with Brillux Silcosil KR/R	
	Brillux Putzgrundierung 3710 with Brillux Klebemörtel 3485 and Brillux Flachverblender	

3.4.4 Fixing strength (displacement test) (ETAG 004 – clause 5.1.4.2)

Test not required therefore no limitation of ETICS length required.

English translation prepared by DIBt

3.4.5 Wind load resistance (ETAG 004 – clause 5.1.4.3)

The following failure loads only apply to the listed combination of component characteristics and the characteristics of the insulation product given in annex 1.

3.4.5.1 Safety in use of mechanically fixed ETICS using profiles

Failure loads – Table 1

Characteristics of the MW panels	Dimensions	625 mm x 800 mm
	Thickness	≥ 60 mm
	Tensile strength perpendicular to the faces	≥ 14 kPa
Failure loads [N/panel] (Static Foam Block Test)	Horizontal profiles with a vertical distance of 625 mm, fixed every 30 cm and vertical connection profiles No additional anchors in MW panel	Minimal: 1200 Average: 1250

Failure loads – Table 2

Characteristics of the MW panels	Dimensions	625 mm x 800 mm
	Thickness	≥ 60 mm
	Tensile strength perpendicular to the faces	≥ 14 kPa
Failure loads [N/panel] (Static Foam Block Test)	Horizontal profiles with a vertical distance of 625 mm, fixed every 30 cm and vertical connection profiles Two additional anchors per MW panel, plate diameter ≥ 60 mm, mounted on the MW panel surface	Minimal: 2200 Average: 2400

3.4.5.2 Safety in use of mechanically fixed ETICS using anchors

Failure loads – Table 3

Apply to all anchors listed in the clause 1.2 mounted on the insulation panels surface			
Characteristics of the MW panels	Thickness		≥ 60 mm
	Tensile strength perpendicular to the faces		≥ 14 kPa
Failure loads [N]	Anchors not placed at the panel joints (Static Foam Block Test)	R_{panel}	Minimal: 650 Average: 740
	Anchors placed at the panel joints (Static Foam Block Test)	R_{joint}	Minimal: 590 Average: 610
	Anchors not placed at the panel joints (Pull-through test, dry conditions)	R_{panel}	Minimal: 640 Average: 690
	Anchors not placed at the panel joints (Pull-through test, wet conditions) - series 2* - series 3*	R_{panel}	Minimal: 360 Average: 390 Minimal: 410 Average: 450
* according to ETAG 004 clause 5.2.4.1.2 test method (2)			

Failure loads – Table 4

Apply to all anchors listed in the clause 1.2 mounted on the insulation panels surface				
Characteristics of the MW panels	Thickness		≥ 80 mm	
	Tensile strength perpendicular to the faces		≥ 5.0 kPa	
Plate diameter of anchor			≥ Ø 90 mm	≥ Ø 140 mm
Failure loads [N]	Anchors not placed at the panel joints (Static Foam Block Test)	R_{panel}	Minimal: 480 Average: 490	Minimal: 56 Average: 69
	Anchors placed at the panel joints (Static Foam Block Test)	R_{joint}	Minimal: 380 Average: 390	Minimal: 44 Average: 54
	Anchors not placed at the panel joints (Pull-through test, dry conditions)	R_{panel}	Minimal: 540 Average: 610	npd
	Anchors not placed at the panel joints (Pull-through test, wet conditions) - series 2*	R_{panel}	Minimal: 400 Average: 460	npd
* according to ETAG 004 clause 5.2.4.1.2 test method (2)				

Failure loads – Table 5

Apply to all anchors listed in clause 1.2 mounted on the insulation panels surface			
Characteristics of the MW lamella	Thickness		≥ 60 mm
	Tensile strength perpendicular to the faces		≥ 80 kPa
Plate diameter of anchor			≥ Ø 140 mm
Failure loads [N]	Anchors placed at the panel joints (Pull-through test, dry condition)	R_{joint}	Minimal: 620 Average: 660
	Anchors placed at the panel joints (Pull-through test, wet condition)	R_{joint}	Minimal: 510 Average: 570
	Anchors placed at the panel joints (Static Foam Block Test)	R_{joint}	Minimal: 710

The failure loads of tables 2 and 3 specified above only apply to the following anchors with deep mounting under the given conditions of installation:

Anchor	Thickness of the MW panel [d]	Conditions of installation*
ejothem STR U ejothem STR U 2G (ETA-04/0023)	100 mm > d ≥ 80 mm	– Maximum installation depth of the anchor plate: 15 mm (≙ thickness of insulation cover) – Maximum depth of die: 5 mm
	≥ 100 mm	– Maximum installation depth of the anchor plate: 15 mm (≙ thickness of insulation cover) – Maximum depth of die: 20 mm
TERMOZ 8 SV (ETA-06/0180)	≥ 80 mm	– Maximum installation depth of the anchor plate: 15 mm (≙ thickness of insulation cover)
* according to the appropriate ETA of anchor		

English translation prepared by DIBt

3.4.6 Render strip tensile test (ETAG 004 – clause 5.5.4.1)

The average value of crack width of the base coat "Brillux WDVS Pulverkleber 3550" reinforced with the glass fibre mesh "Brillux WDVS Glasseidengewebe 3797" measured at a render strain value of 1 % is about 0.07 mm.

The average value of crack width of the base coat "Brillux WDVS Pulverkleber VZ 3600" reinforced with the glass fibre mesh "Brillux WDVS Glasseidengewebe 3797" measured at a render strain value of 1 % is about 0.04 mm.

3.5 Protection against noise (BWR 5)

For the protection against noise no performance was assessed for this product.

3.6 Energy economy and heat retention (BWR 6)

3.6.1 Thermal resistance

The nominal value of the additional thermal resistance R provided by the ETICS to the substrate wall is calculated in accordance with EN ISO 6946:2007 from the nominal value of the insulation product's thermal resistance R_D given accompanied to the CE marking and from the thermal resistance of the rendering system R_{render} which is about $0.02 \text{ (m}^2 \cdot \text{K)/W}$.

$$R = R_D + R_{render}$$

The thermal bridges caused by mechanical fixing devices (anchors profiles) increase the thermal transmittance U . This influence had to take into account according to EN ISO 6946:2007.

$$U_c = U + \Delta U$$

corrected thermal transmittance [$\text{W}/(\text{m}^2 \cdot \text{K})$]

$$\Delta U = \Delta U_{anchor} + \Delta U_{profile}$$

correction term for mechanical fixing devices (anchors, profiles)

$$\Delta U_{anchor} = \chi_p \cdot n$$

correction term for anchors

where: n

number of anchors per m^2

χ_p

local influence of thermal bridge caused by an anchor. The values listed below can be taken into account, if not specified in the anchor's technical approval

$$\chi_p = 0.004 \text{ W/K}$$

for anchors with a galvanized steel screw with the head covered by a plastic material

$$\chi_p = 0.002 \text{ W/K}$$

for anchors with a stainless steel screw with the head covered by plastic material, and for anchors with an air gap at the head of the screw

English translation prepared by DIBt

4 Assessment and verification of constancy of performance (AVCP) system applied, with reference to its legal base

According to the European Commission decision 97/556/EC amended by the European Commission decision 2001/596/EC, the assessment and verification of constancy of performance system (AVCP) applies suitable following table (see Annex V to Regulation (EU) No 305/2011).

Product	Intended use	Levels or classes (Reaction to fire)	Systems
"Brillux WDVS MW Pulverkleber"	ETICS in external wall subject to fire regulations	A1 ⁽¹⁾ , A2 ⁽¹⁾ , B ⁽¹⁾ , C ⁽¹⁾	1
		A1 ⁽²⁾ , A2 ⁽²⁾ , B ⁽²⁾ , C ⁽²⁾ , D, E, (A1 to E) ⁽³⁾ , F	2+
	ETICS in external wall not subject to fire regulations	any	2+
<p>⁽¹⁾ Products/materials for which a clearly identifiable stage in the production process results in an improvement of the reaction to fire classification (e.g. an addition of fire retardants or a limiting of organic material)</p> <p>⁽²⁾ Products/materials not covered by footnote (1)</p> <p>⁽³⁾ Products/materials that do not require to be tested for reaction to fire (e.g. products/materials of Classes A1 according to Commission Decision 96/603/EC)</p>			

5 Technical details necessary for the implementation of the AVCP system, as provided for in the applicable European Assessment Document (EAD)

Technical details necessary for the implementation of the AVCP system are laid down in the control plan deposited at Deutsches Institut für Bautechnik.

Issued in Berlin on 4 Juli 2018 by Deutsches Institut für Bautechnik

Dirk Brandenburger
Head of Department

beglaubigt:
Windhorst

European Technical Assessment
ETA-08/0127
English translation prepared by DIBt

Page 16 of 20 | 10 April 2018

Annexes:

- Annex 1: Thermal insulation product characteristic
- Annex 2: Anchors
- Annex 3: Profiles
- Annex 4: Reinforcement

Annex 1: Thermal insulation product characteristic

Factory-prefabricated panels and lamella made of mineral wool (MW) to EN 13162:2015 with the following designation code and the other properties having the description in the Table below shall be used, provided that the manufacturer and the trade name of the MW are deposited with the DIBt.

MW – EN 13162 – T5 – DS(T+) – WS – WL(P) – MU1

Description and characteristics	MW panel***	MW panel	MW lamella
Reaction to fire; EN 13501-1:2007	Class A1		
Gross heat of combustion [MJ/kg]; EN ISO 1716:2010	PCS ≤ 1.6		
Thermal resistance [(m ² · K)/W]	Defined in the CE marking in reference to EN 13162:2008		
Tensile strength perpendicular to the faces [kPa]; EN 1607:2013 - in dry conditions*	$\sigma_{mt} \geq 14$	$\sigma_{mt} \geq 5$	$\sigma_{mt} \geq 80$
- in wet conditions** Average value - series 2 - series 3	≥ 33 % of average value in dry conditions ≥ 50 % of average value in dry conditions		
Compressive strength* [kPa]; EN 826:2013	$\sigma_m \geq 40$	$\sigma_m \geq 4$	$\sigma_m \geq 40$
Apparent density [kg/m ³]; EN 1602:2013	$120 \leq \rho_a \leq 150$	$100 \leq \rho_a \leq 150$	$80 \leq \rho_a \leq 150$
Shear strength* [kPa]; EN 12090:2013	$20 \leq f_{tk} \leq 100$	$6 \leq f_{tk} \leq 100$	$20 \leq f_{tk} \leq 100$
Shear modulus [MPa]; EN 12090:2013	$1.0 \leq G_m \leq 2.0$	$0.3 \leq G_m \leq 2.0$	$1.0 \leq G_m \leq 2.0$
* Minimal value of all single values ** According to ETAG 004 clause 5.2.4.1.2 test method (2) **** Thermal insulation materials for mechanically fixed ETICS with profiles must circumferentially at the edges, 24 mm from the inner surface, get an approx. 3 mm wide and 13 to 18 mm deep groove cut-in at the factory.			

Annex 2: Anchors

All anchors with ETA according to EAD330196-00-0604¹ with characteristics having the description below shall be used in the mechanically fixed ETICS:

- plate diameter of anchor ≥ 60 mm resp. ≥ 90 mm or ≥ 140 mm
- plate stiffness ≥ 0.3 kN/mm
- load resistance of the anchor plate ≥ 1.0 kN

These characteristics and the characteristic tension resistance of the anchors shall be taken from the corresponding ETA.

The anchors listed in the Table in clause 1.2 with reference to the respective ETA shall be used in the mechanically fixed ETICS with profiles for fixing the horizontal profiles.

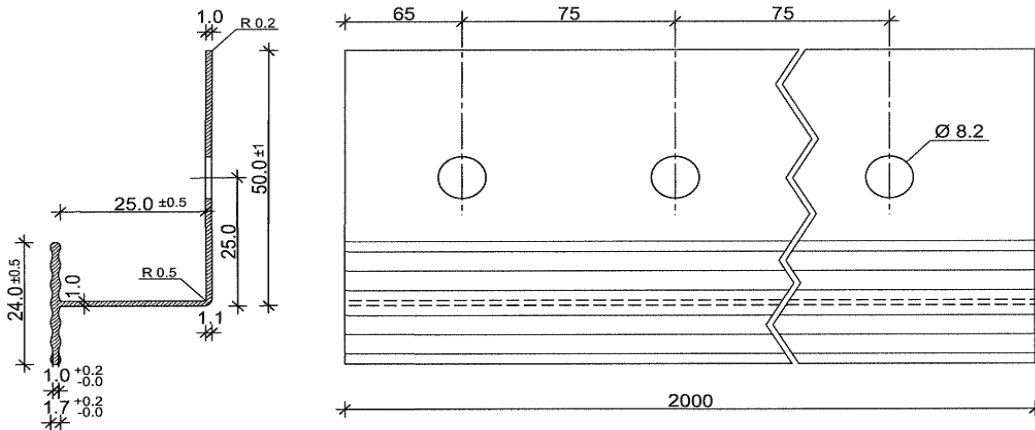
Trade name	ETA-number
WS 8 L	ETA-02/0019
WS 8 N	ETA-03/0019
IsoFux ND-8Z	ETA-04/0032
SDF-K plus	ETA-04/0064
ejotherm NK U	ETA-05/0009

Annex 3: Profiles

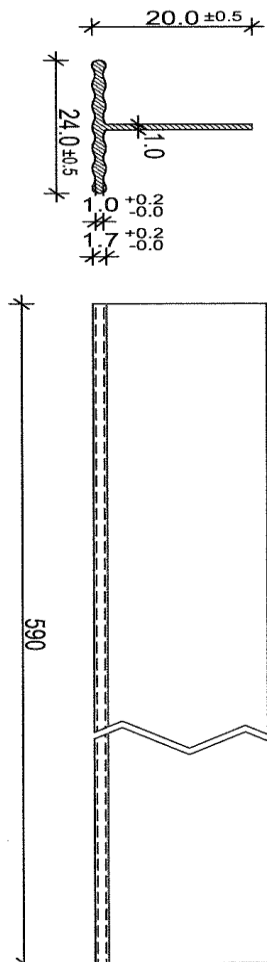
Aluminium (Al) profiles, EN AW-6060 T66 to EN 755-2: are to be used in the mechanically fixed ETICS with profiles.

The Pull-through resistance of fixings from profiles is ≥ 500 N.

Horizontal profile – " Brillux WDVS Alu-Halteleiste 3579" (dimensions in millimetres)



Vertical connection profile – " Brillux WDVS ALU-Verbindungsleiste 3580" (dimensions in millimetres)



Annex 4: Reinforcement (glass fibre mesh)

Characteristics (alkali resistance): Pass

	Description	Residual strength after ageing [N/mm]	Relative residual strength after ageing, of the strength in the as-delivered state [%]
"Brillux WDVS Glasseidenge-webe 3797"	Alkali- and slide-resistant glass fibre mesh with mass per unit area of about 165 g/m ² and mesh size of about 4.0 mm x 4.0 mm	≥ 20	≥ 50
"Brillux WDVS Panzergewebe 3773"	Alkali- and slide-resistant glass fibre mesh with mass per unit area of about 530 g/m ²	no performance assessed	no performance assessed