

Approval body for construction products
and types of construction

Bautechnisches Prüfamt

An institution established by the Federal and
Laender Governments



European Technical Assessment

ETA-17/0443
of 26 April 2019

English translation prepared by DIBt - Original version in German language

General Part

Technical Assessment Body issuing the
European Technical Assessment:

Deutsches Institut für Bautechnik

Trade name of the construction product

"NovoPorta Premio ..."

Product family
to which the construction product belongs

Internal fire resisting and/or smoke control single and
double leaf doorsets made of steel

Manufacturer

Novoferm GmbH
Schüttensteiner Straße 26
46419 Isselburg-Werth
DEUTSCHLAND

Manufacturing plant

Novoferm Riexinger Türenwerke GmbH
Industriestraße
74336 Brackenheim
DEUTSCHLAND
Novoferm GmbH
Schüttensteiner Straße 26
46419 Isselburg-Werth

This European Technical Assessment
contains

42 pages including 37 annexes which form an integral
part of this assessment

This European Technical Assessment is
issued in accordance with Regulation (EU)
No 305/2011, on the basis of

EAD 020029-00-1102

This version replaces

ETA-17/0443 issued on 11 September 2018

The European Technical Assessment is issued by the Technical Assessment Body in its official language. Translations of this European Technical Assessment in other languages shall fully correspond to the original issued document and shall be identified as such.

Communication of this European Technical Assessment, including transmission by electronic means, shall be in full. However, partial reproduction may only be made with the written consent of the issuing Technical Assessment Body. Any partial reproduction shall be identified as such.

This European Technical Assessment may be withdrawn by the issuing Technical Assessment Body, in particular pursuant to information by the Commission in accordance with Article 25(3) of Regulation (EU) No 305/2011.

Specific Part

1 Technical description of the product

Internal fire resisting and/or smoke control single or double leaf doorsets (pivot doorsets)

"NovoPorta Premio EI₂ 30-C5 S_a" and "NovoPorta Premio EI₂ 30-C5 S₂₀₀",

"NovoPorta Premio EI₂ 60-C5 S_a" and "NovoPorta Premio EI₂ 60-C5 S₂₀₀",

"NovoPorta Premio EI₂ 90-C5 S_a" and "NovoPorta Premio EI₂ 90-C5 S₂₀₀"

- made of steel - are the subject of this ETA.

The products involve those which are used manually, opening and self-closing as a normal mode of operation. They can also be normally held open but self-close in the event of fire or smoke.

The fire resisting and/or smoke control doorsets shall be designed:

- using steel plates featuring fire-resistant inlays
- with building hardware,
- with or without flush over panel or transom panel (with or without glazing) and contained within a single perimeter frame for inclusion in a single aperture,
- with or without any vision panel(s) in the doorsets leaf or leave(s),
- with a three-sided permanently elastic seal and a permanently elastic middle rebate seal additionally in the event of double leaf doorsets (for fire resistance),
- with a three-sided permanently elastic seal and a permanently elastic middle rebate seal additionally in the event of double leaf doorsets in conjunction with a soil liner (for smoke control).

Single leaf fire resisting and/or smoke control doorsets - without flush over panel or transom panel - are verified at levels other than the floor level (i.e. at increased heights). These doorsets in the area of the frame of the leaf have to be designed with a four-sided permanently elastic seal to prevent smoke from penetrating. The lower edge of the leaf and the frame has to be designed like the upper edge if need be.

The system setup of the product "NovoPorta Premio EI₂ 30-C5 S_a" and "NovoPorta Premio EI₂ 30-C5 S₂₀₀" is given in Annexes A2 to A17.

The system setup of the product "NovoPorta Premio EI₂ 60-C5 S_a" and "NovoPorta Premio EI₂ 60-C5 S₂₀₀" is given in Annexes B2 to B10.

The system setup of the product "NovoPorta Premio EI₂ 90-C5 S_a" and "NovoPorta Premio EI₂ 90-C5 S₂₀₀" is given in Annexes C2 to C10.

2 Specification of the intended use in accordance with the applicable European Assessment Document

Fire resisting and/or smoke control doorsets are used internally as closures in fire resisting walls and/or for escape routes.

The products can be used as internal fire resisting and/or smoke control single and double leaf doorsets in internal walls.

The verifications and assessment methods on which this European Technical Assessment is based lead the assumption of working life of the fire resisting and/or smoke control doorsets of 15 years. The indications given on the working life cannot be interpreted as a guarantee given by the producer, but are to be regarded only as a means for choosing the right products in relation to the expected economically reasonable working life of the works.

3 Performance of the product and references to the methods used for its assessment

3.1 Mechanical resistance and stability (BWR 1) - not applicable

3.2 Safety in case of fire (BWR 2)

Essential characteristic	Performance
Reaction to fire of components acc. to EN 13501-1	Steel plate A1
	Insulation A1
	Glazing A1 to E
	Gypsum plaster board A2
	Sealing A2
	Polyurethane foam B1
	Intumescent material E
Resistance to fire acc. to EN 13501-2	El ₂ 30 "NovoPorta Premio El ₂ 30-C5 S _a "
	El ₂ 60 "NovoPorta Premio El ₂ 60-C5 S _a "
	El ₂ 90 "NovoPorta Premio El ₂ 90-C5 S _a "
Smoke control acc. to EN 13501-2	S _a / S ₂₀₀ "NovoPorta Premio El ₂ 30-C5 S ₂₀₀ "
	"NovoPorta Premio El ₂ 60-C5 S ₂₀₀ "
	"NovoPorta Premio El ₂ 90-C5 S ₂₀₀ "

3.3 Hygiene, health and the environment (BWR 3) - not applicable

3.4 Safety and accessibility in use (BWR 4)

Essential characteristic	Performance
Self-closing acc. to EN 13501-2	C
Ability to release	"released"
Durability of the ability to release	"release maintained"
Durability of self-closing against degradation (cycling testing) acc. to EN 13501-2	5
Durability of self-closing against ageing (corrosion)	"achieved"
Impact resistance acc. to EN 13049	5
Strength requirements	No performance assessed

3.5 Protection against noise (BWR 5)

Essential characteristic	Performance
Direct airborne sound insulation index acc. to EN ISO 717-1	Single leaf door Rw (C;Cw) = 23 (-1;-3) to Rw (C;Cw) = 44 (-3;-9)
	Double leaf door Rw (C;Cw) = 22 (-1;-3) to Rw (C;Cw) = 43 (-3;-9)

3.6 Energy economy and heat retention (BWR 6) - not applicable

3.7 Sustainable use of natural resources (BWR 7)

For the sustainable use of natural resources no performance was investigated for this product.

4 Assessment and verification of constancy of performance (AVCP) system applied, with reference to its legal base

In accordance with EAD No. 020029-00-1102, the applicable European legal act is: 1999/93/EU.

The system to be applied is: 1

5 Technical details necessary for the implementation of the AVCP system, as provided for in the applicable EAD

Technical details necessary for the implementation of the AVCP system are laid down in the control plan deposited with Deutsches Institut für Bautechnik.

Issued in Berlin on 26 April 2019 by Deutsches Institut für Bautechnik

Prof. Gunter Hoppe
Head of Department

beglaubigt:
Pritzkow

"NovoPorta Premio EI₂ 30-C5 S_a"

Annex A1

"NovoPorta Premio EI₂ 30-C5 S₂₀₀"

Internal fire resisting and/or smoke control single or double leaf doorsets (pivot doorsets) "NovoPorta Premio EI₂ 30-C5 S_a" and "NovoPorta Premio EI₂ 30-C5 S₂₀₀" are to be used manually, opening and self-closing as a normal mode of operation. They can also be normally held open but self-close in the event of fire or smoke.

The fire resisting and/or smoke control doorsets are made of steel plates and fire-resistant inlays with building hardware. They may be designed with or without any vision panel(s) in the doorsets leaf or leave(s)

The products shall be designed with or without flush over panel or transom panel (with or without glazing) and contained within a single perimeter frame for inclusion in a single aperture.

Fire resisting doorsets are made with a three-sided permanently elastic seal and a permanently elastic middle rebate seal additionally in the event of double leaf doorsets.

Fire resisting and/or smoke control doorsets are made with a three-sided permanently elastic seal and a permanently elastic middle rebate seal additionally in the event of double leaf doorsets in conjunction with a soil liner (for smoke control).

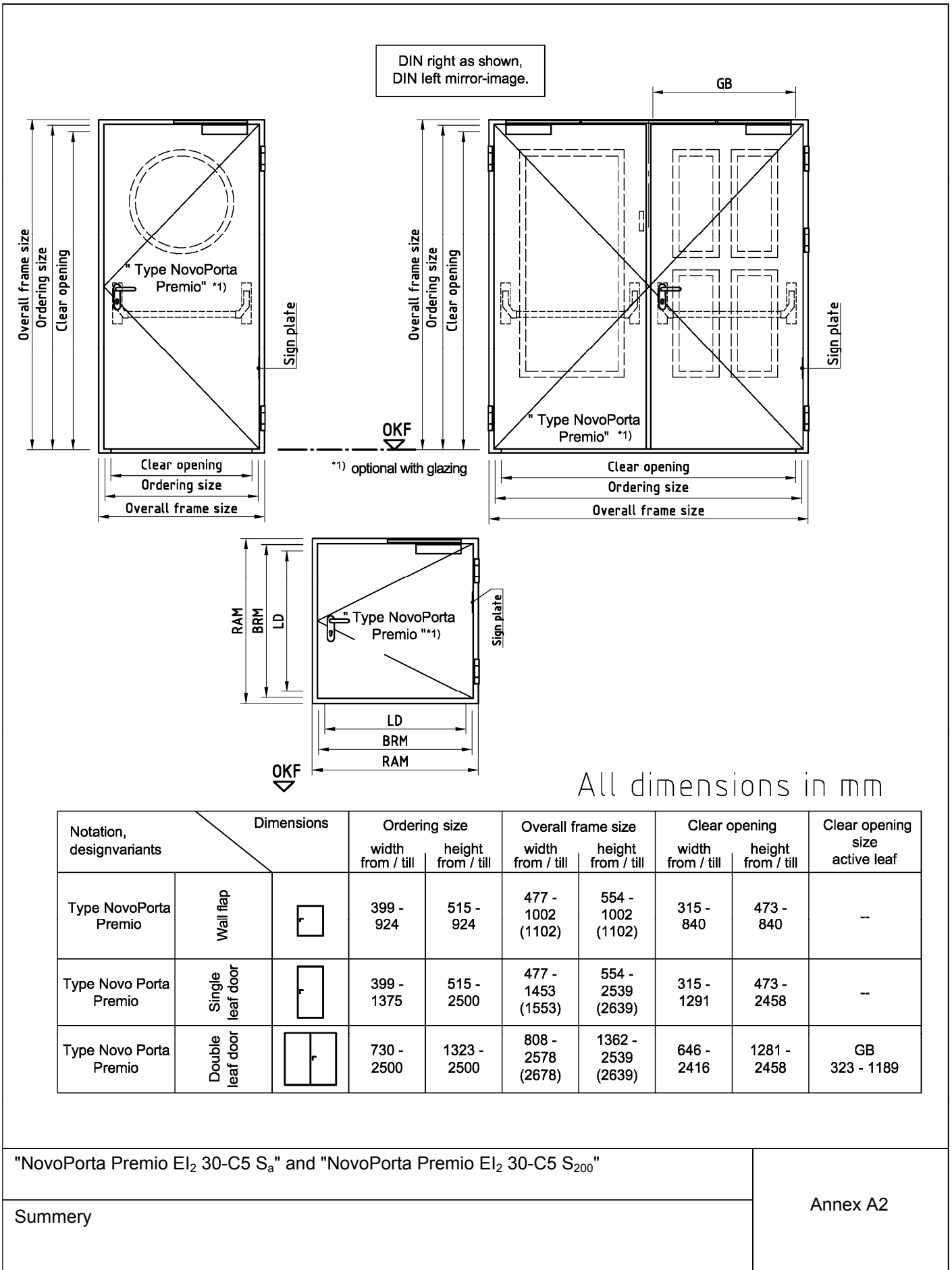
Single leaf fire resisting and/or smoke control doorsets - without flush over panel or transom panel - are verified at levels other than the floor level (i.e. at increased heights). These doorsets in the area of the frame of the leaf have to be designed with a four-sided permanently elastic seal to prevent smoke from penetrating. The lower edge of the leaf and the frame has to be designed like the upper edge if need so.

The system setup of the product is given in Annexes A2 to A17.

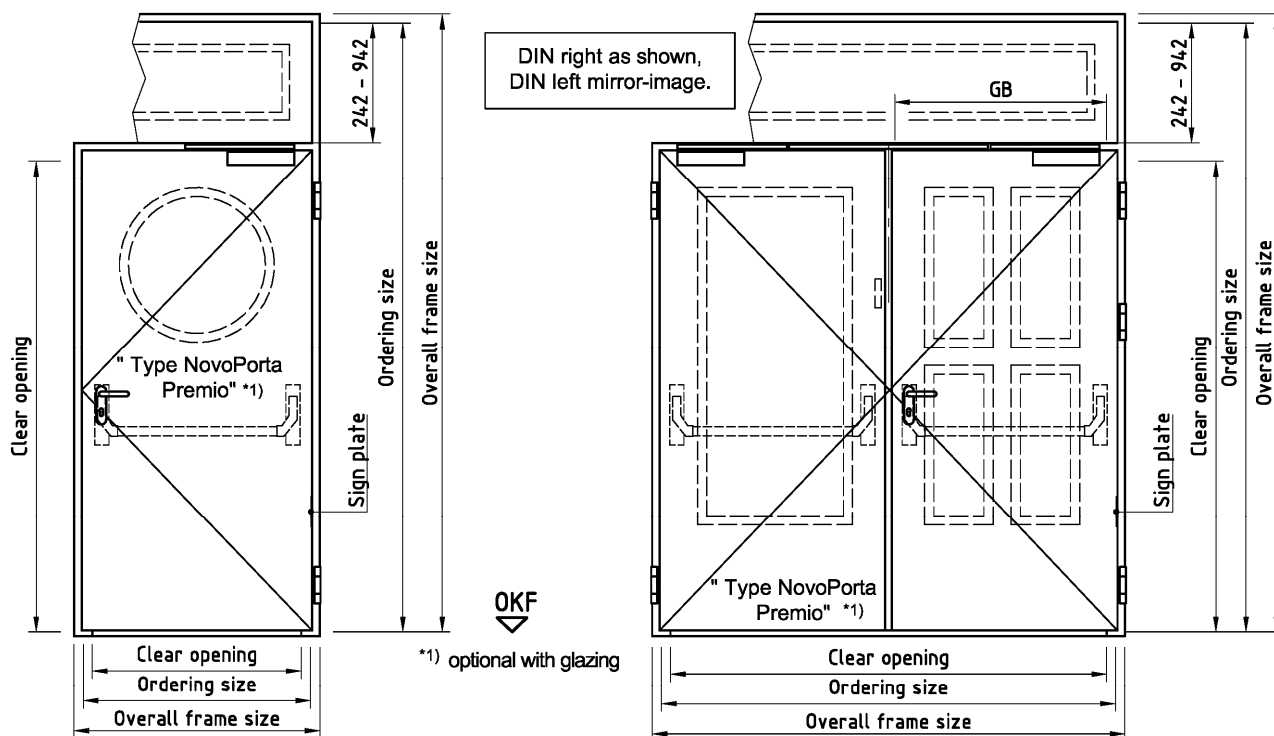
The products "NovoPorta Premio EI₂ 30-C5 S_a" and "NovoPorta Premio EI₂ 30-C5 S₂₀₀" are proved as internal fire resisting and/or smoke control single and double leaf doorsets in internal walls:

- ≥ 115 mm high density solid wall of masonry with an overall density of ≥ 850 kg/m³, or
- ≥ 100 mm solid wall of concrete masonry with an overall density ≥ 850 kg/m³, or
- ≥ 150 mm low density solid wall of aerated concrete with an overall density of ≥ 650 ± 200 kg/m³, or
- ≥ 100 mm fire resistant light weight plasterboard faced steel stud partition, or
- ≥ 100 mm fire resistant light weight plasterboard faced wood stud partition.

English translation prepared by DIBt



electronic copy of the eta by dibt: eta-17/0443



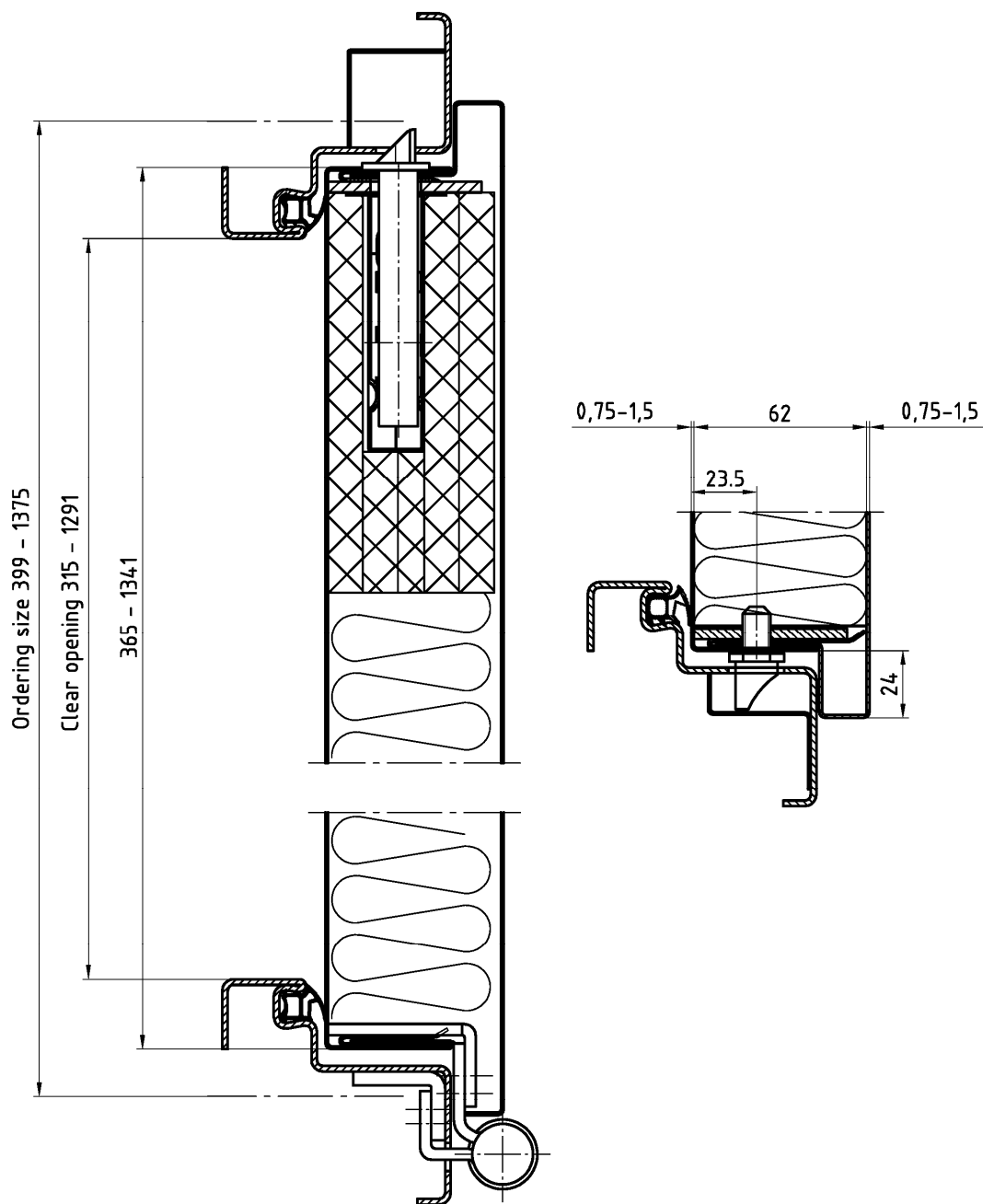
All dimensions in mm

Notation, designvariants		Dimensions	Ordering size		Overall frame size		Clear opening		Clear opening size active leaf
			width from / till	height from / till	width from / till	height from / till	width from / till	height from / till	
Type Novo Porta Premio	Single leaf door with overpanel		399 - 1375	2050 - 3500	477 - 1453 (1553)	2089 - 3539 (3639)	315 - 1291	1699 - 2449	--
Type Novo Porta Premio	Double leaf door with overpanel		730 - 2500	2050 - 3500	808 - 2578 (2678)	2089 - 3539 (3639)	646 - 2416	1699 - 2449	GB 323 - 1189

"NovoPorta Premio EI₂ 30-C5 S_a" and "NovoPorta Premio EI₂ 30-C5 S₂₀₀"

Summery

Annex A3

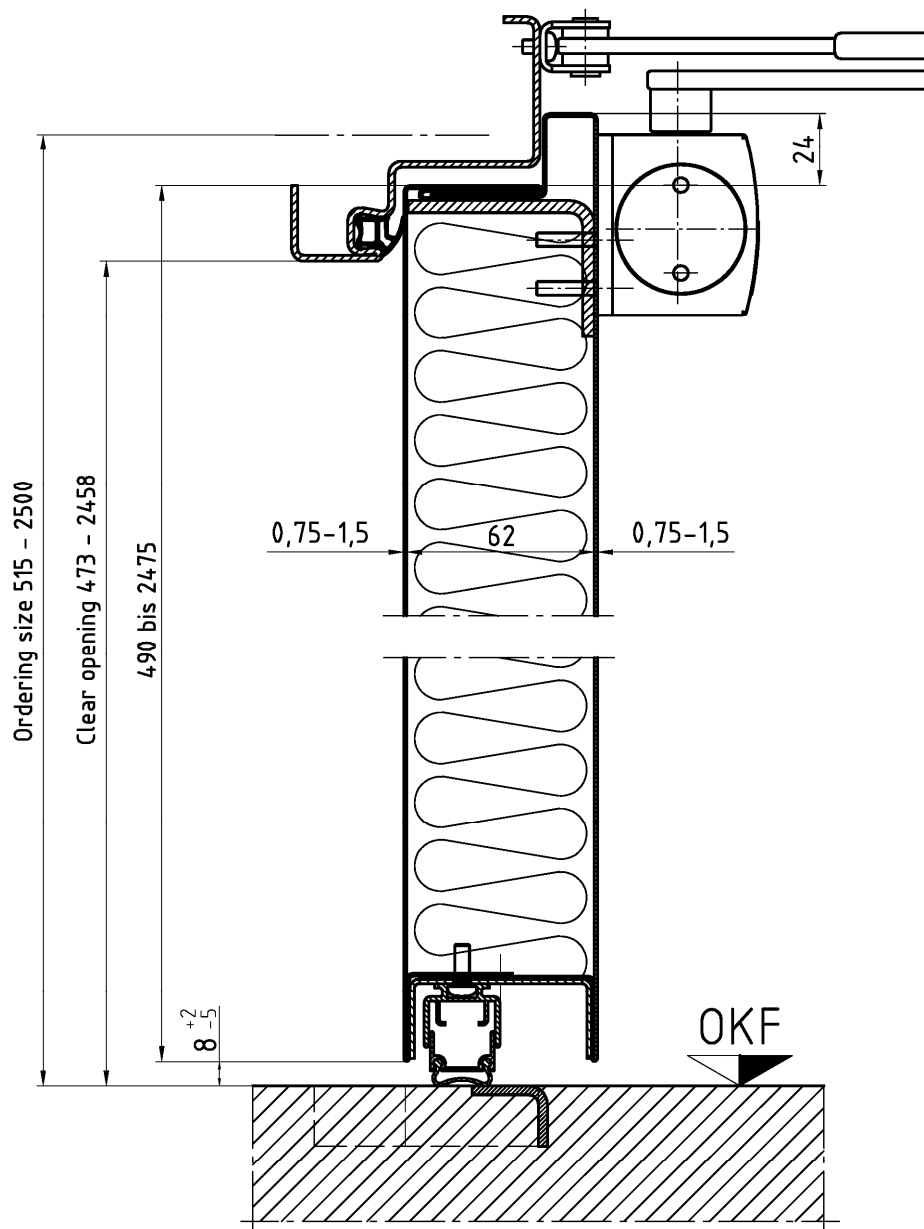


electronic copy of the eta by dibt: eta-17/0443

"NovoPorta Premio EI₂ 30-C5 S_a" and "NovoPorta Premio EI₂ 30-C5 S₂₀₀"

Construction – horizontal section single leaf doorset

Annex A4

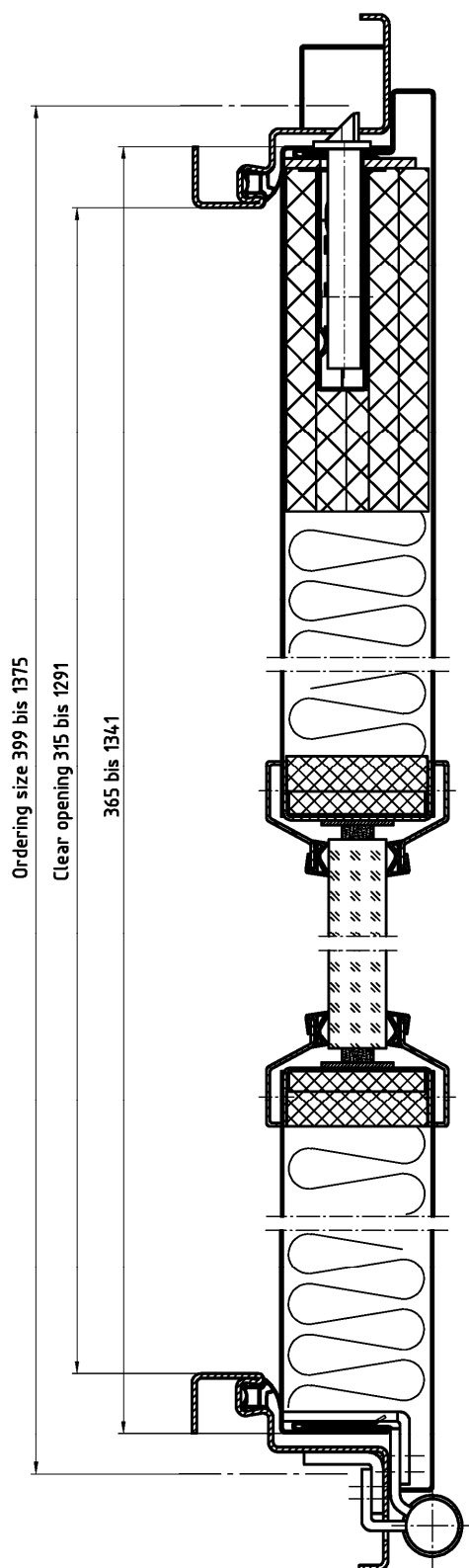


electronic copy of the eta by dibt: eta-17/0443

"NovoPorta Premio EI₂ 30-C5 S_a" and "NovoPorta Premio EI₂ 30-C5 S₂₀₀"

Construction – vertical section single and double leaf doorset

Annex A5

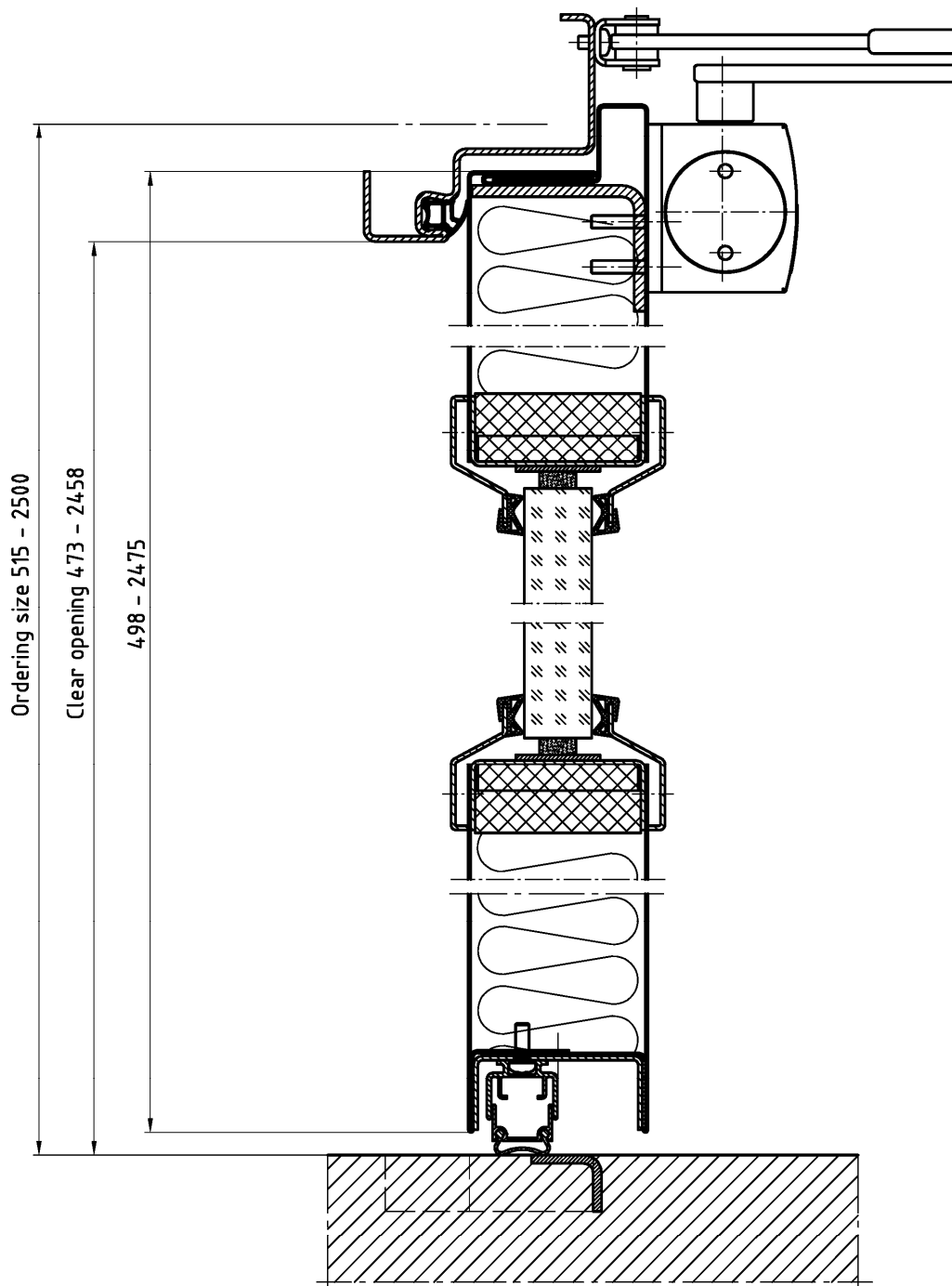


electronic copy of the eta by dibt: eta-17/0443

"NovoPorta Premio EI₂ 30-C5 S_a" and "NovoPorta Premio EI₂ 30-C5 S₂₀₀"

Construction – horizontal section single leaf doorset

Annex A6

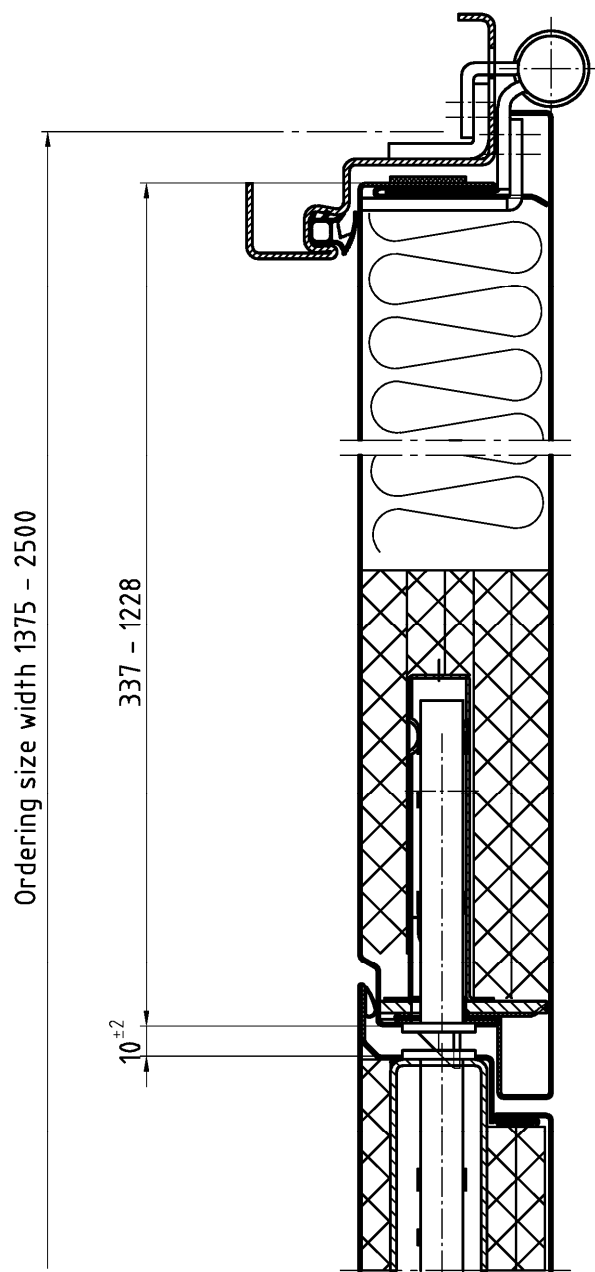


electronic copy of the eta by dibt: eta-17/0443

"NovoPorta Premio EI₂ 30-C5 S_a" and "NovoPorta Premio EI₂ 30-C5 S₂₀₀"

Construction – vertical section single and double leaf doorset

Annex A7

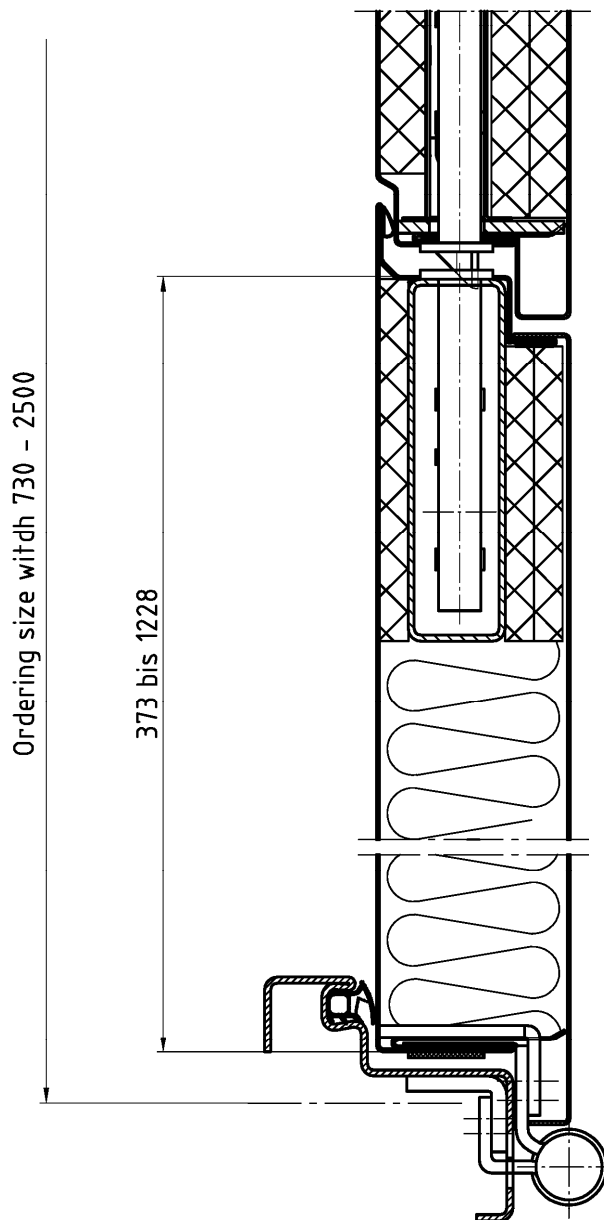


electronic copy of the eta by dibt: eta-17/0443

"NovoPorta Premio EI₂ 30-C5 S_a" and "NovoPorta Premio EI₂ 30-C5 S₂₀₀"

Construction – horizontal section double leaf doorset

Annex A8

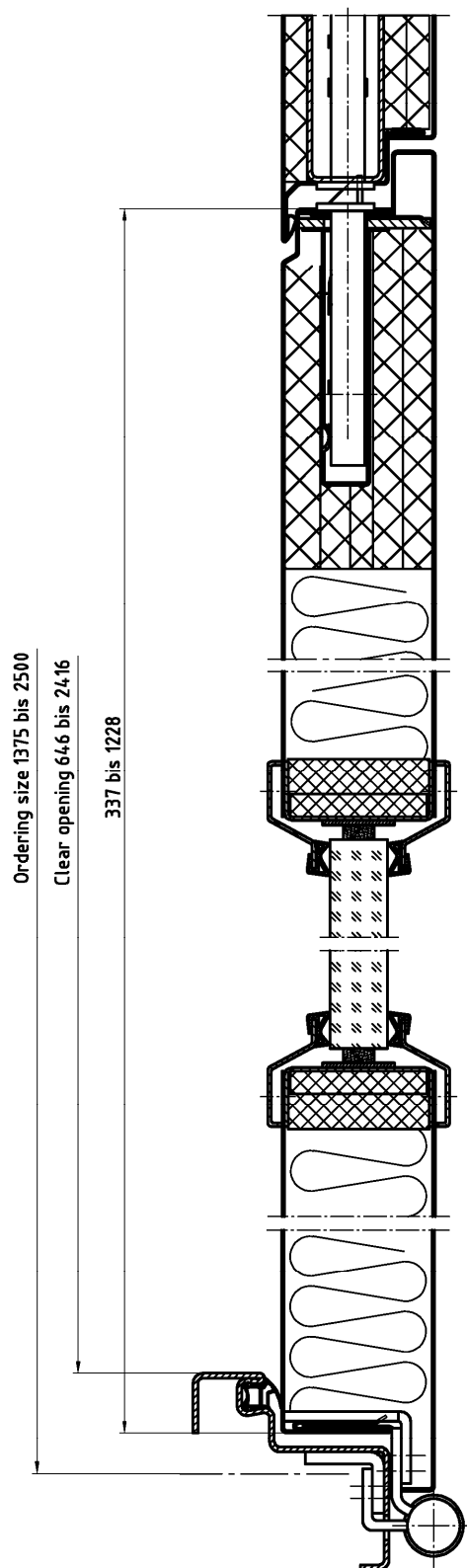


electronic copy of the eta by dibt: eta-17/0443

"NovoPorta Premio EI₂ 30-C5 S_a" and "NovoPorta Premio EI₂ 30-C5 S₂₀₀"

Construction – horizontal section double leaf doorset

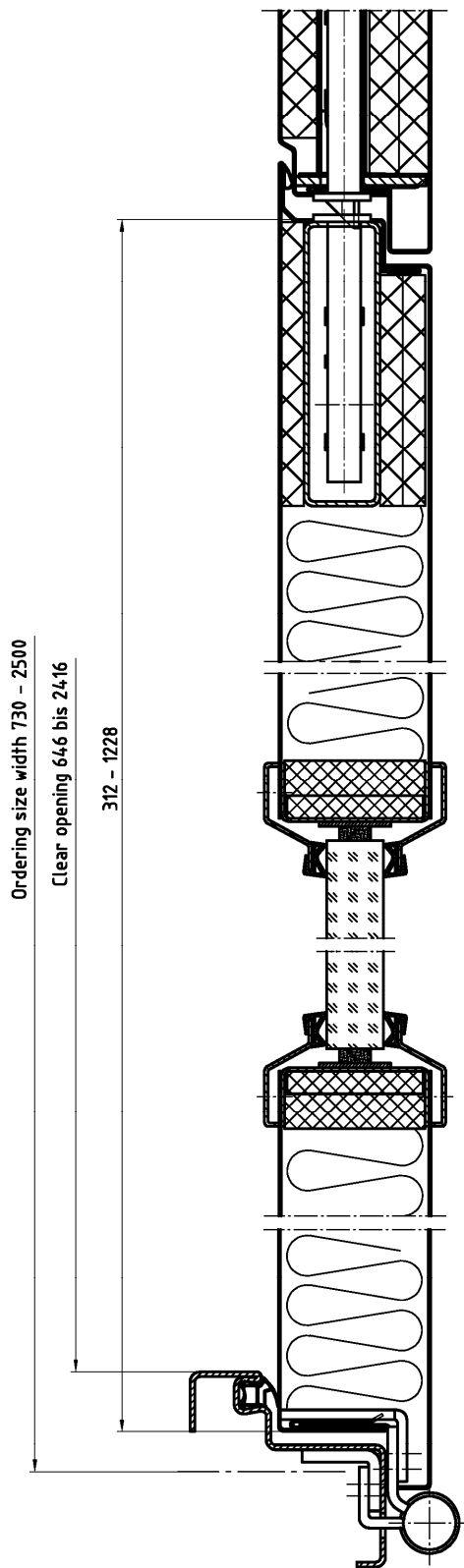
Annex A9



"NovoPorta Premio EI₂ 30-C5 S_a" and "NovoPorta Premio EI₂ 30-C5 S₂₀₀"

Construction – horizontal section double leaf doorset

Annex A10

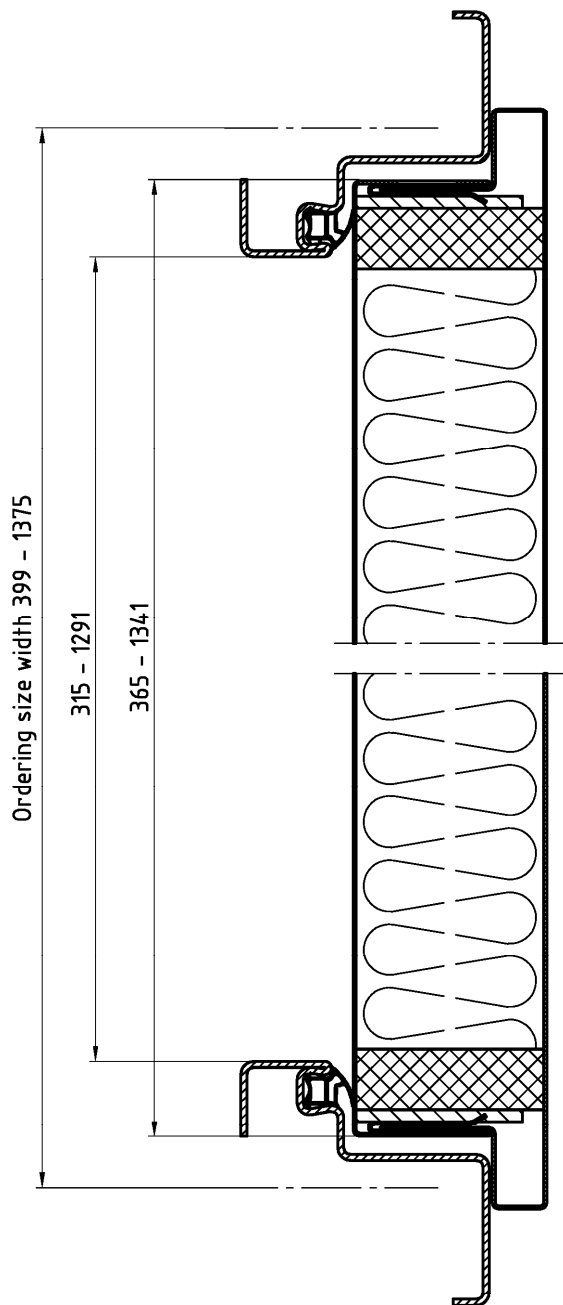


electronic copy of the eta by dibt: eta-17/0443

"NovoPorta Premio EI₂ 30-C5 S_a" and "NovoPorta Premio EI₂ 30-C5 S₂₀₀"

Construction – horizontal section double leaf doorset

Annex A11

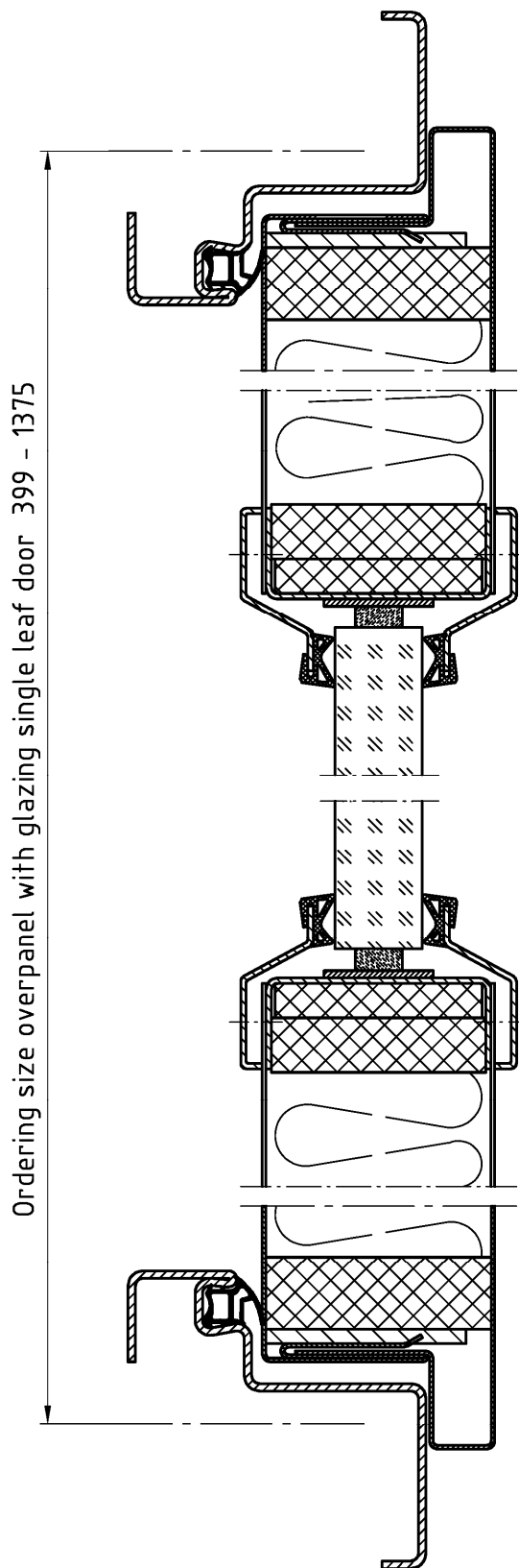


electronic copy of the eta by dibt: eta-17/0443

"NovoPorta Premio EI₂ 30-C5 S_a" and "NovoPorta Premio EI₂ 30-C5 S₂₀₀"

Construction – horizontal section overpanel – single leaf doorset

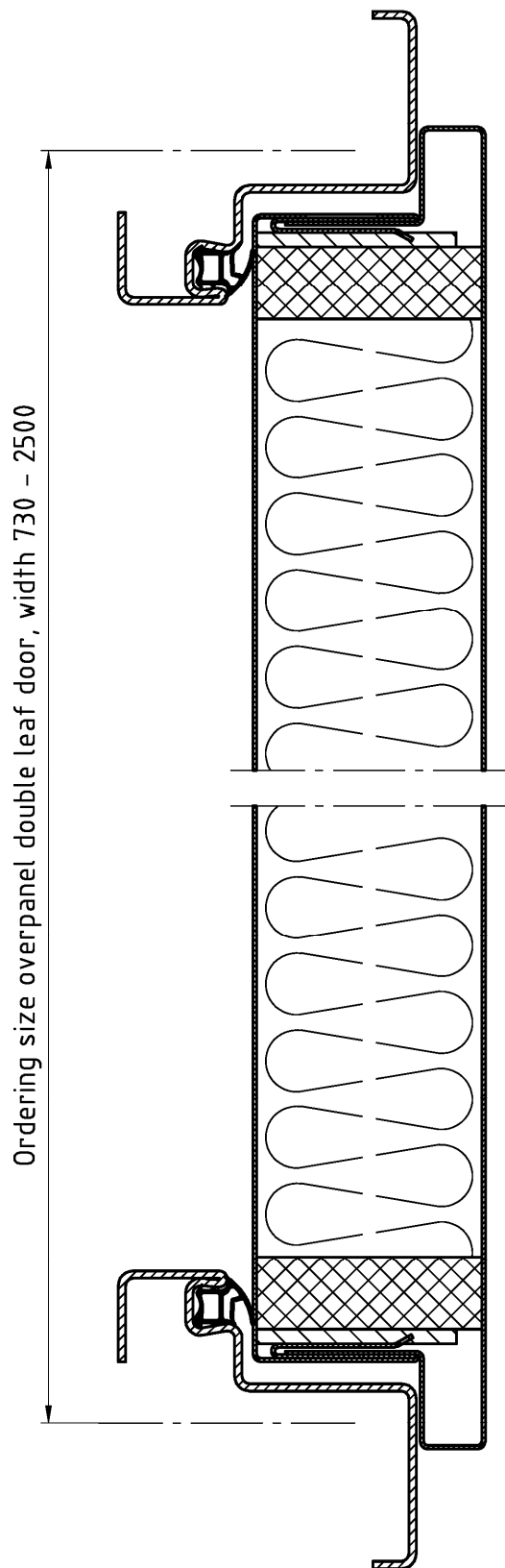
Annex A12



"NovoPorta Premio EI₂ 30-C5 S_a" and "NovoPorta Premio EI₂ 30-C5 S₂₀₀"

Construction – horizontal section overpanel – single leaf doorset

Annex A13

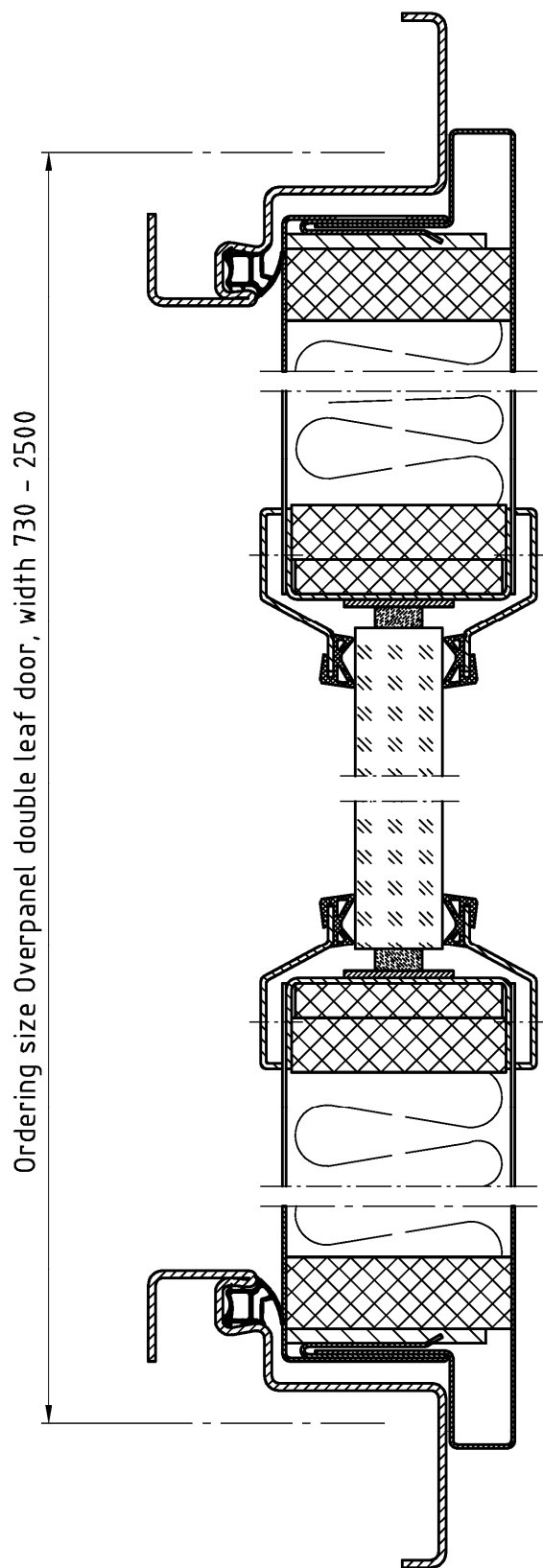


electronic copy of the eta by dibt: eta-17/0443

"NovoPorta Premio EI₂ 30-C5 S_a" and "NovoPorta Premio EI₂ 30-C5 S₂₀₀"

Construction – horizontal section overpanel – double leaf doorset

Annex A14

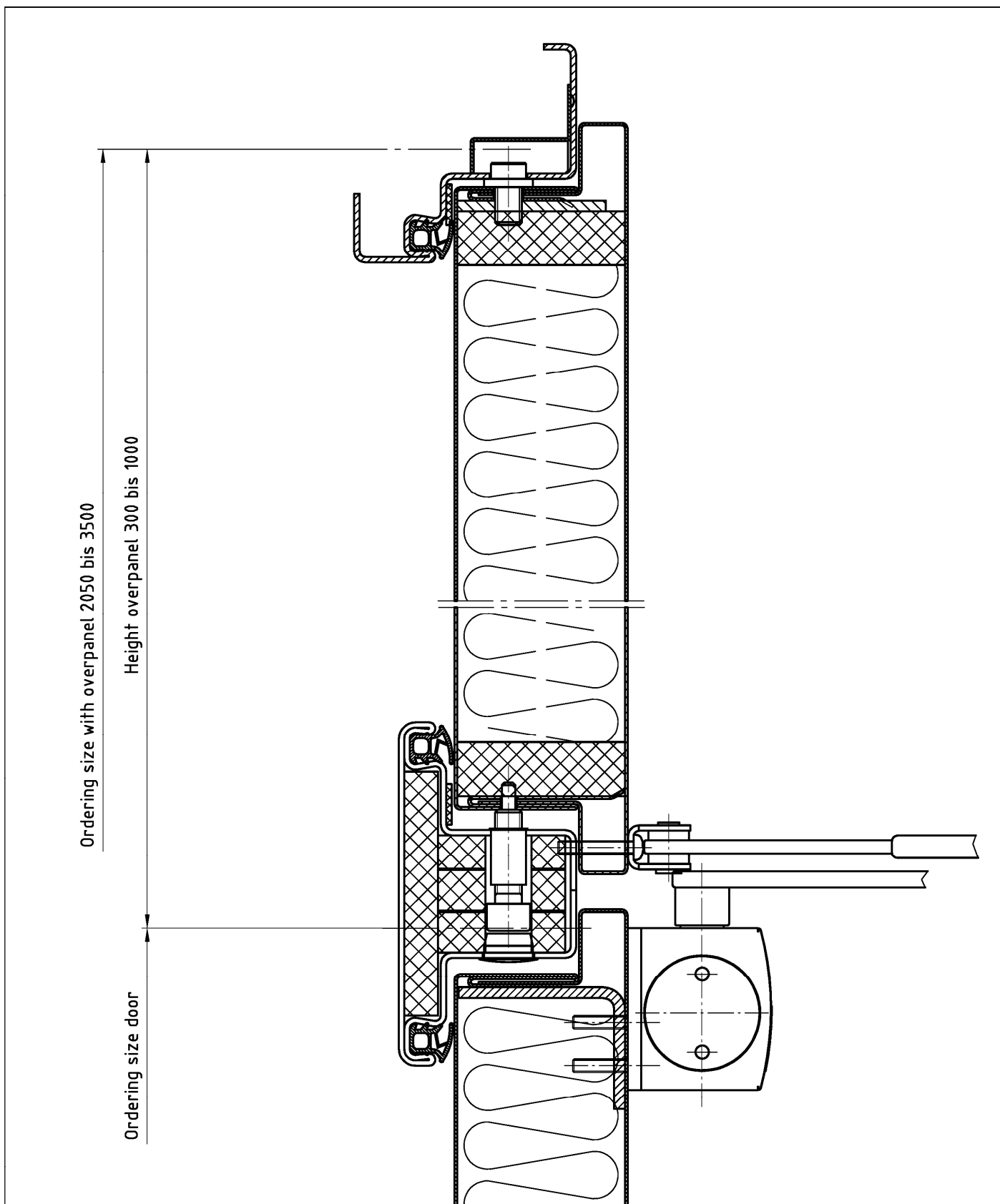


electronic copy of the eta by dibt: eta-17/0443

"NovoPorta Premio EI₂ 30-C5 S_a" and "NovoPorta Premio EI₂ 30-C5 S₂₀₀"

Construction – horizontal section overpanel – double leaf doorset

Annex A15

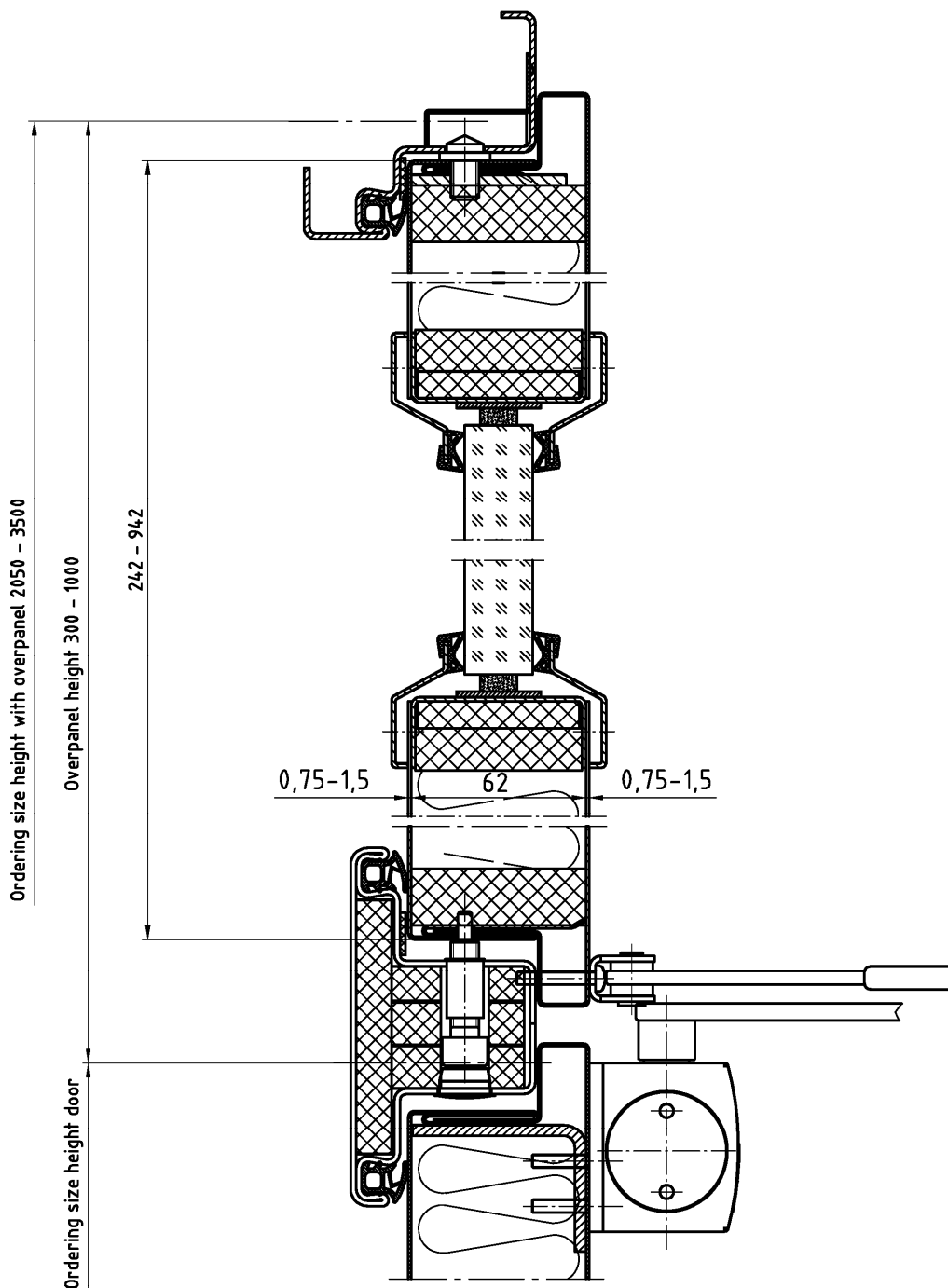


electronic copy of the eta by dibt: eta-17/0443

"NovoPorta Premio EI₂ 30-C5 S_a" and "NovoPorta Premio EI₂ 30-C5 S₂₀₀"

Construction – vertical section overpanel – single and double leaf doorset

Annex A16



electronic copy of the eta by dibt: eta-17/0443

"NovoPorta Premio EI₂ 30-C5 S_a" and "NovoPorta Premio EI₂ 30-C5 S₂₀₀"

Construction – vertical section overpanel – single and double leaf doorset

Annex A17

"NovoPorta Premio EI₂ 60-C5 S_a"

Annex B1

"NovoPorta Premio EI₂ 60-C5 S₂₀₀"

Internal fire resisting and/or smoke control single or double leaf doorsets (pivot doorsets) "NovoPorta Premio EI₂ 60-C5 S_a" and "NovoPorta Premio EI₂ 60-C5 S₂₀₀" are be used manually, opening and self-closing as a normal mode of operation. They can also be normally held open but self-close in the event of fire or smoke.

The products are made of steel plates and fire-resistant inlays with building hardware. They may be designed with or without any vision panel(s) in the doorsets leaf or leave(s)

Fire resisting doorsets are made with a three-sided permanently elastic seal and a permanently elastic middle rebate seal additionally in the event of double leaf doorsets.

Fire resisting and/or smoke control doorsets are made with a three-sided permanently elastic seal and a permanently elastic middle rebate seal additionally in the event of double leaf doorsets in conjunction with a soil liner (for smoke control).

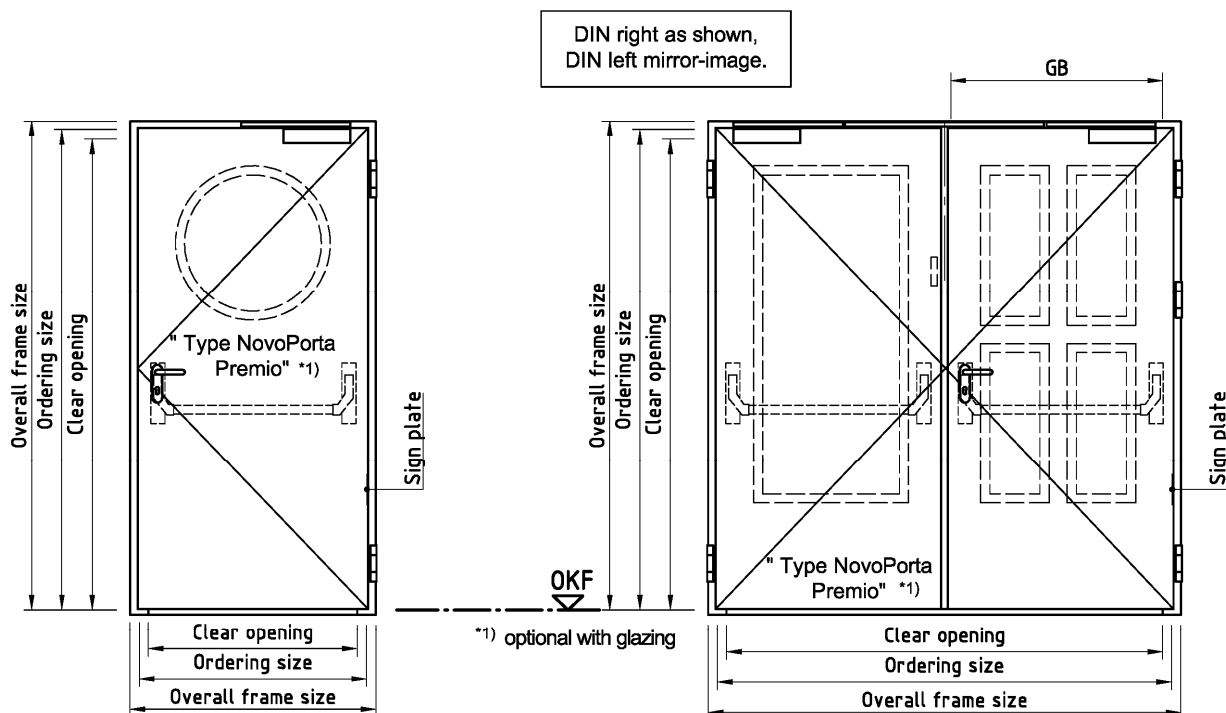
Single leaf fire resisting and/or smoke control doorsets are verified at levels other than the floor level (i.e. at increased heights). These doorsets in the area of the frame of the leaf have to be designed with a four-sided permanently elastic seal to prevent smoke from penetrating. The lower edge of the leaf and the frame has to be designed like the upper edge.

The system setup of the product is given in Annexes C2 to C10.

The products "NovoPorta Premio EI₂ 60-C5 S_a" und "NovoPorta Premio EI₂ 60-C5 S₂₀₀" are proved as internal fire resisting and/or smoke control single and double leaf doorsets in internal walls:

- ≥ 115 mm high density solid wall of masonry with an overall density of ≥ 850 kg/m³, or
- ≥ 100 mm solid wall of concrete masonry with an overall density ≥ 850 kg/m³, or
- ≥ 150 mm low density solid wall of aerated concrete with an overall density of $\geq 650 \pm 200$ kg/m³, or
- ≥ 100 mm fire resistant light weight plasterboard faced steel stud partition.

English translation prepared by DIBt



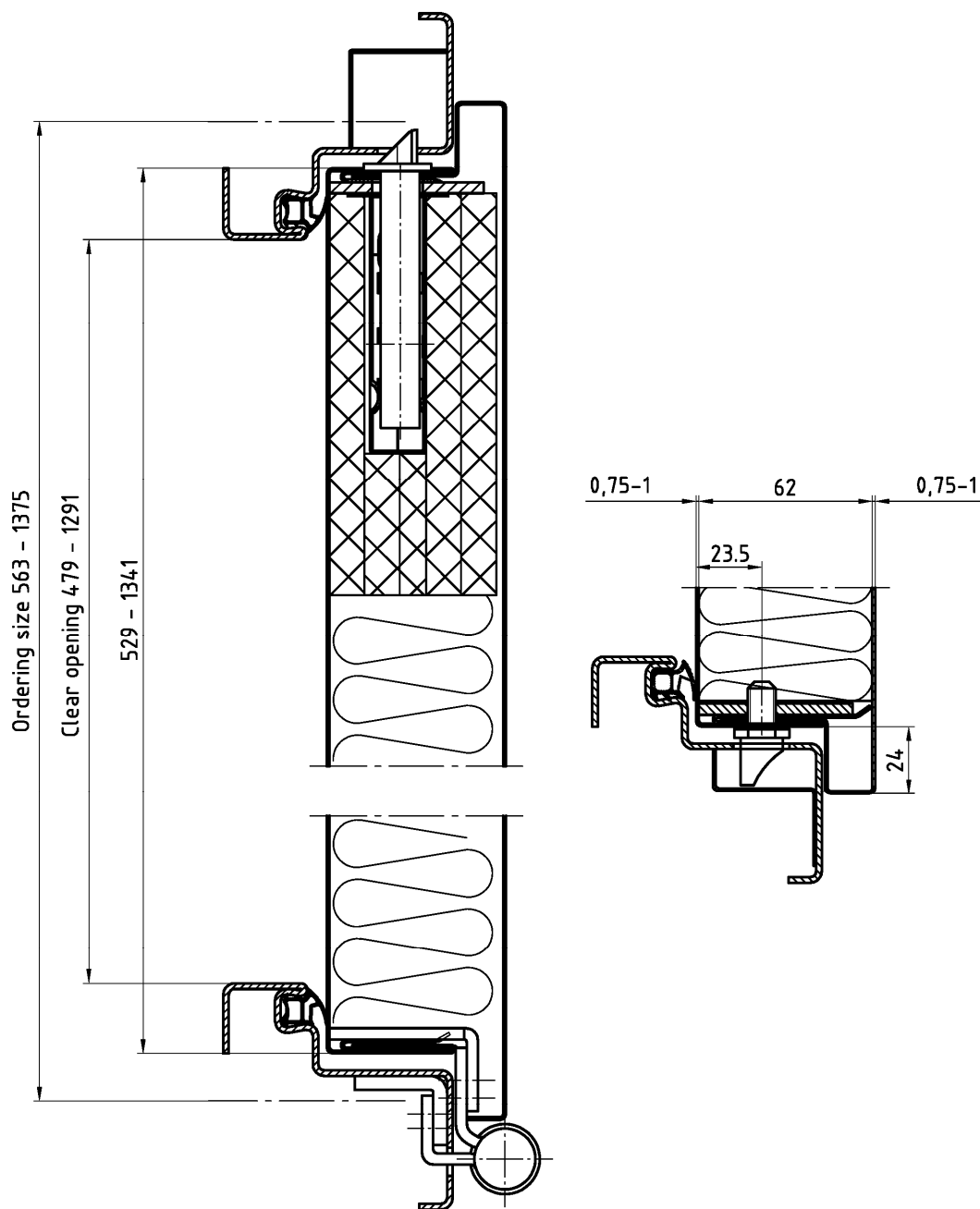
All dimensions in mm

Notation, designvariants		Dimensions	Ordering size		Overall frame size		Clear opening		Clear opening size active leaf
			width from / till	height from / till	width from / till	height from / till	width from / till	height from / till	
Type NovoPorta Premio	Single leaf door		563 - 1375	1594 - 2500	641 - 1453 (1553)	1633 - 2539 (2589)	479 - 1291	1552 - 2458	--
Type NovoPorta Premio	Double leaf door		1250 - 2500	1750 - 2500	1328 - 2578 (2678)	1789 - 2539 (2639)	1166 - 2416	1708 - 2458	GB 564 - 1189

"NovoPorta Premio EI₂ 60-C5 S_a" and "NovoPorta Premio EI₂ 60-C5 S₂₀₀"

Summary

Annex B2

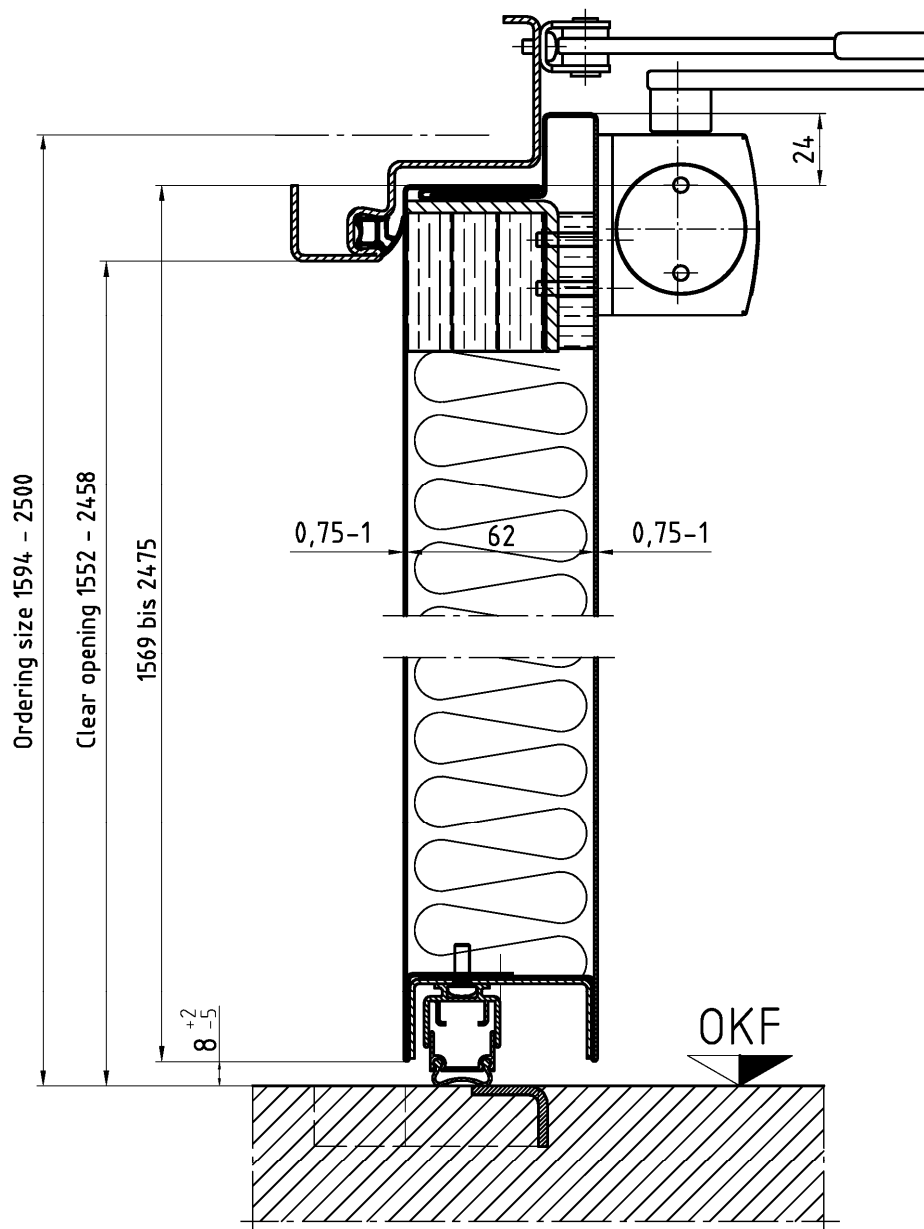


electronic copy of the eta by dibt: eta-17/0443

"NovoPorta Premio EI₂ 60-C5 S_a" and "NovoPorta Premio EI₂ 60-C5 S₂₀₀"

Construction – horizontal section single leaf doorset

Annex B3

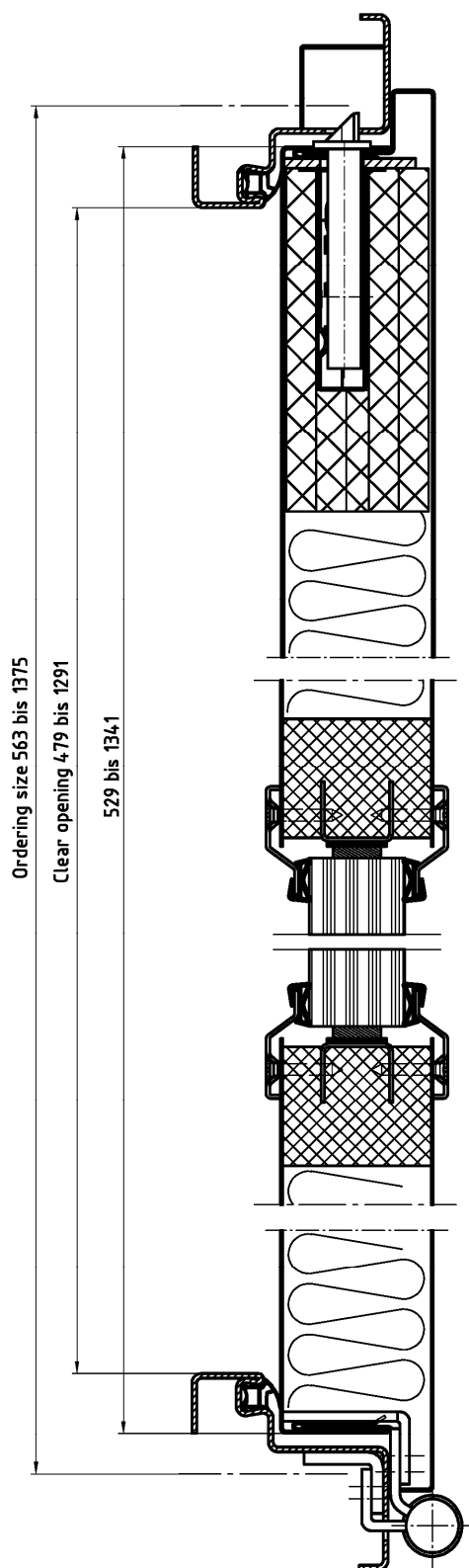


electronic copy of the eta by dibt: eta-17/0443

"NovoPorta Premio EI₂ 60-C5 S_a" and "NovoPorta Premio EI₂ 60-C5 S₂₀₀"

Construction – vertical section single and double leaf doorset

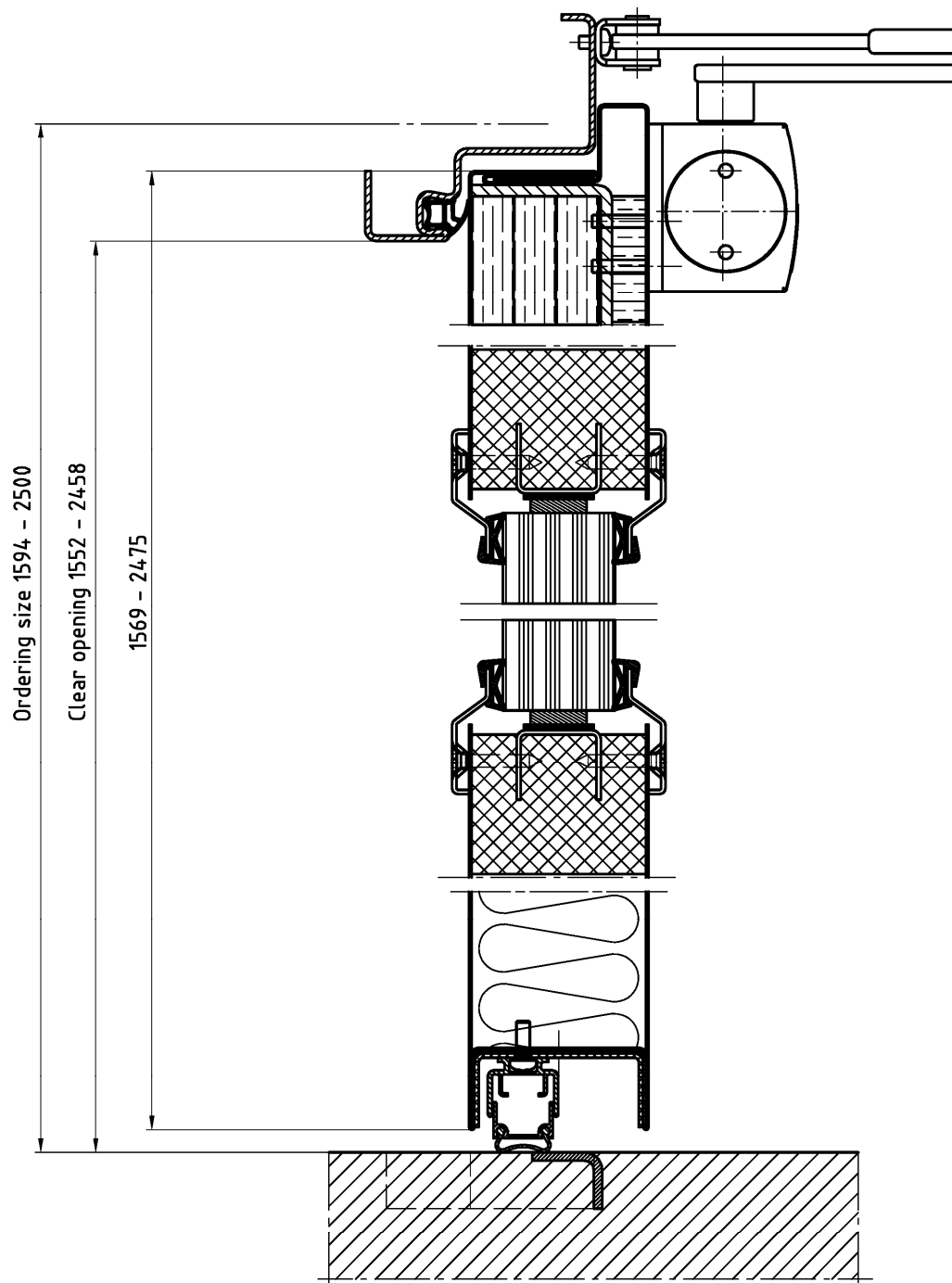
Annex B4



"NovoPorta Premio EI₂ 60-C5 S_a" and "NovoPorta Premio EI₂ 60-C5 S₂₀₀"

Construction – horizontal section single leaf doorset

Annex B5

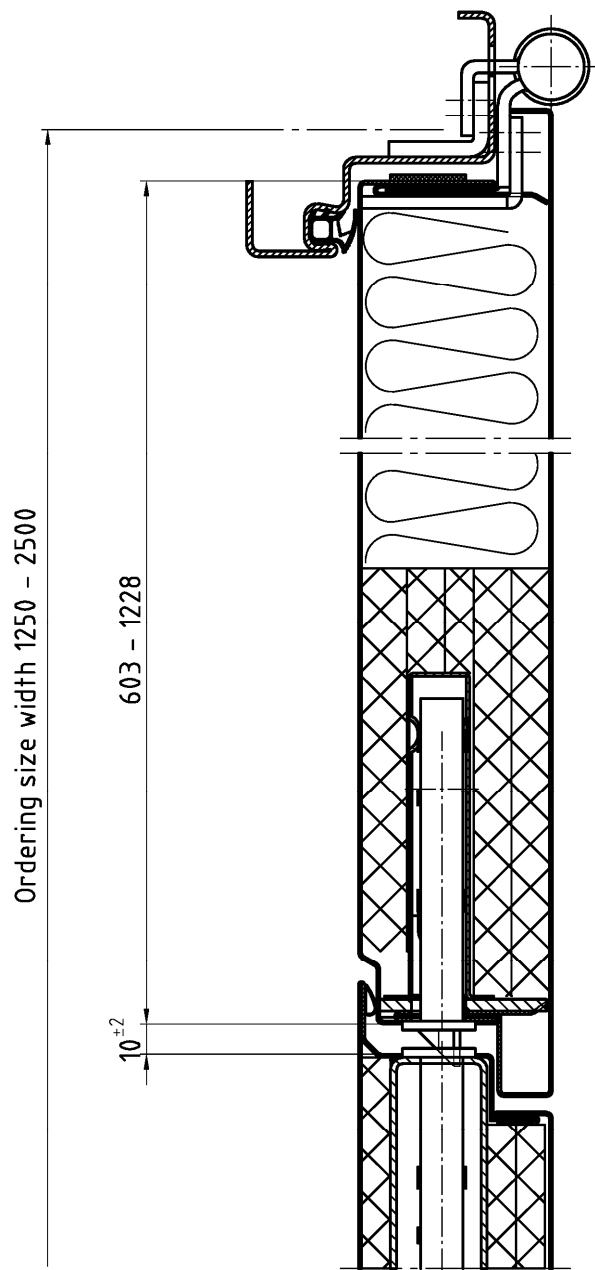


electronic copy of the eta by dibt: eta-17/0443

"NovoPorta Premio EI₂ 60-C5 S_a" and "NovoPorta Premio EI₂ 60-C5 S₂₀₀"

Construction – vertical section single and double leaf doorset

Annex B6

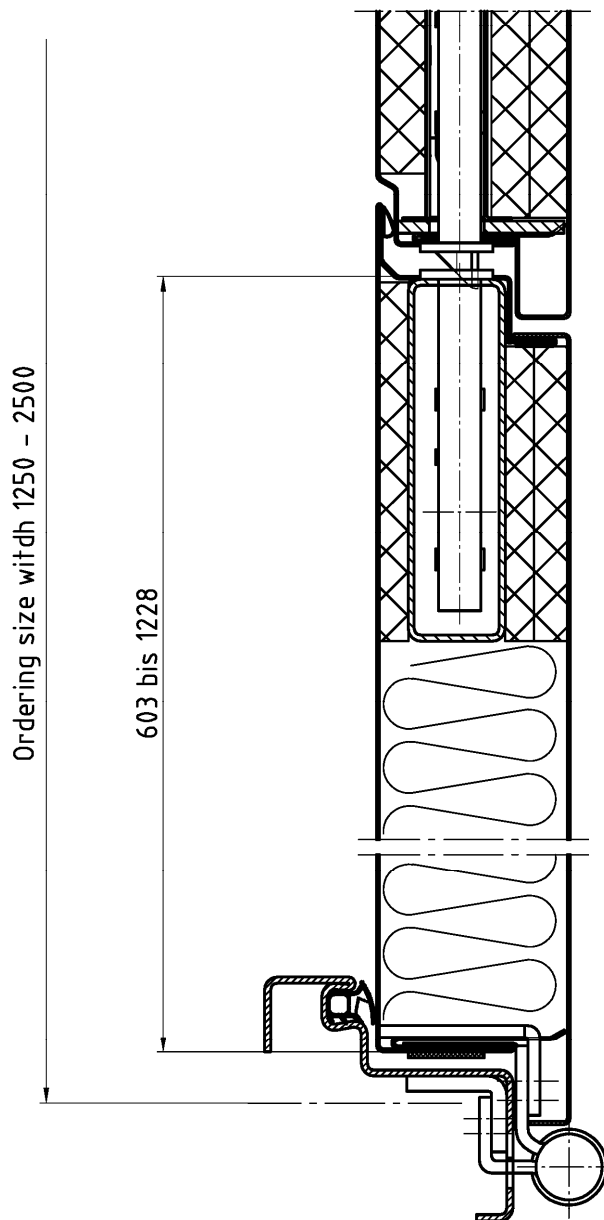


electronic copy of the eta by dibt: eta-17/0443

"NovoPorta Premio EI₂ 60-C5 S_a" and "NovoPorta Premio EI₂ 60-C5 S₂₀₀"

Construction – horizontal section double leaf doorset

Annex B7

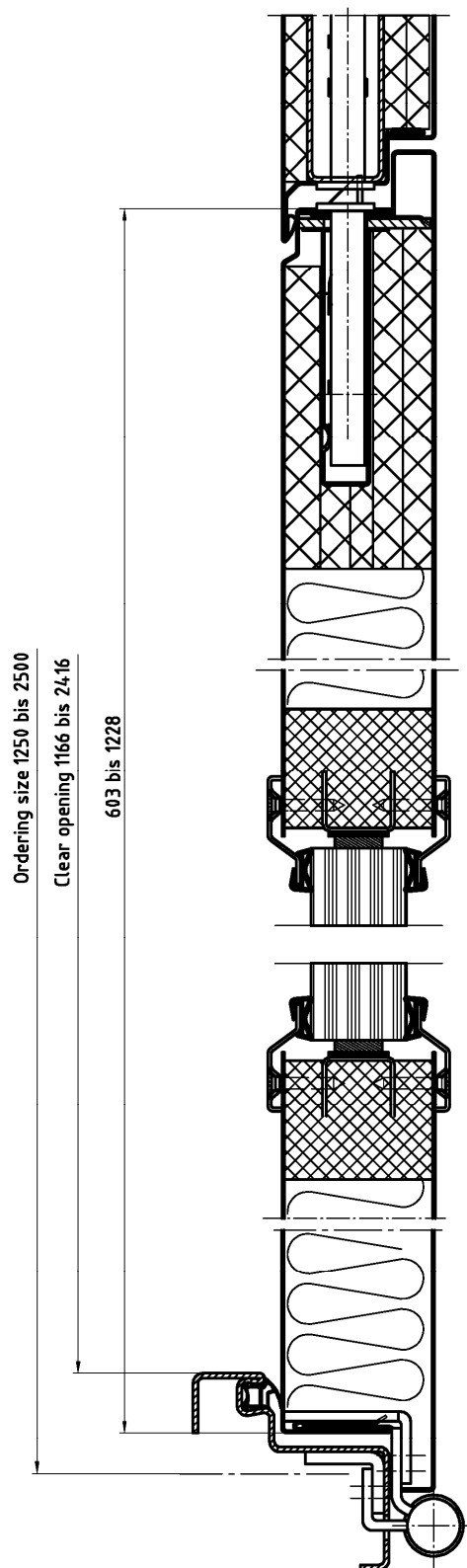


electronic copy of the eta by dibt: eta-17/0443

"NovoPorta Premio EI₂ 60-C5 S_a" and "NovoPorta Premio EI₂ 60-C5 S₂₀₀"

Construction – horizontal section double leaf doorset

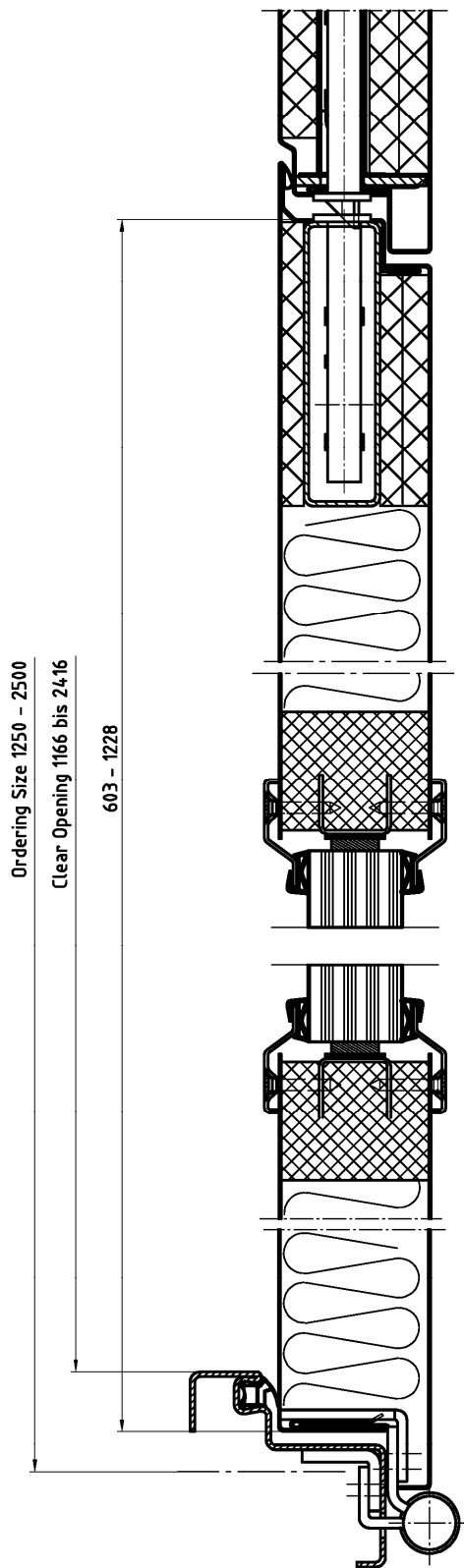
Annex B8



"NovoPorta Premio EI₂ 60-C5 S_a" and "NovoPorta Premio EI₂ 60-C5 S₂₀₀"

Construction – horizontal section double leaf doorset

Annex B9



"NovoPorta Premio EI₂ 60-C5 S_a" and "NovoPorta Premio EI₂ 60-C5 S₂₀₀"

Construction – horizontal section double leaf doorset

Annex B10

"NovoPorta Premio EI₂ 90-C5 S_a"
"NovoPorta Premio EI₂ 90-C5 S₂₀₀"

Annex C1

Internal fire resisting and/or smoke control single or double leaf doorsets (pivot doorsets) "NovoPorta Premio EI₂ 90-C5 S_a" and "NovoPorta Premio EI₂ 90-C5 S₂₀₀" are to be used manually, opening and self-closing as a normal mode of operation. They can also be normally held open but self-close in the event of fire or smoke.

The products are made of steel plates and fire-resistant inlays with building hardware. They may be designed with or without any vision panel(s) in the doorsets leaf or leave(s)

Fire resisting doorsets are made with a three-sided permanently elastic seal and a permanently elastic middle rebate seal additionally in the event of double leaf doorsets.

Fire resisting and/or smoke control doorsets are made with a three-sided permanently elastic seal and a permanently elastic middle rebate seal additionally in the event of double leaf doorsets in conjunction with a soil liner (for smoke control).

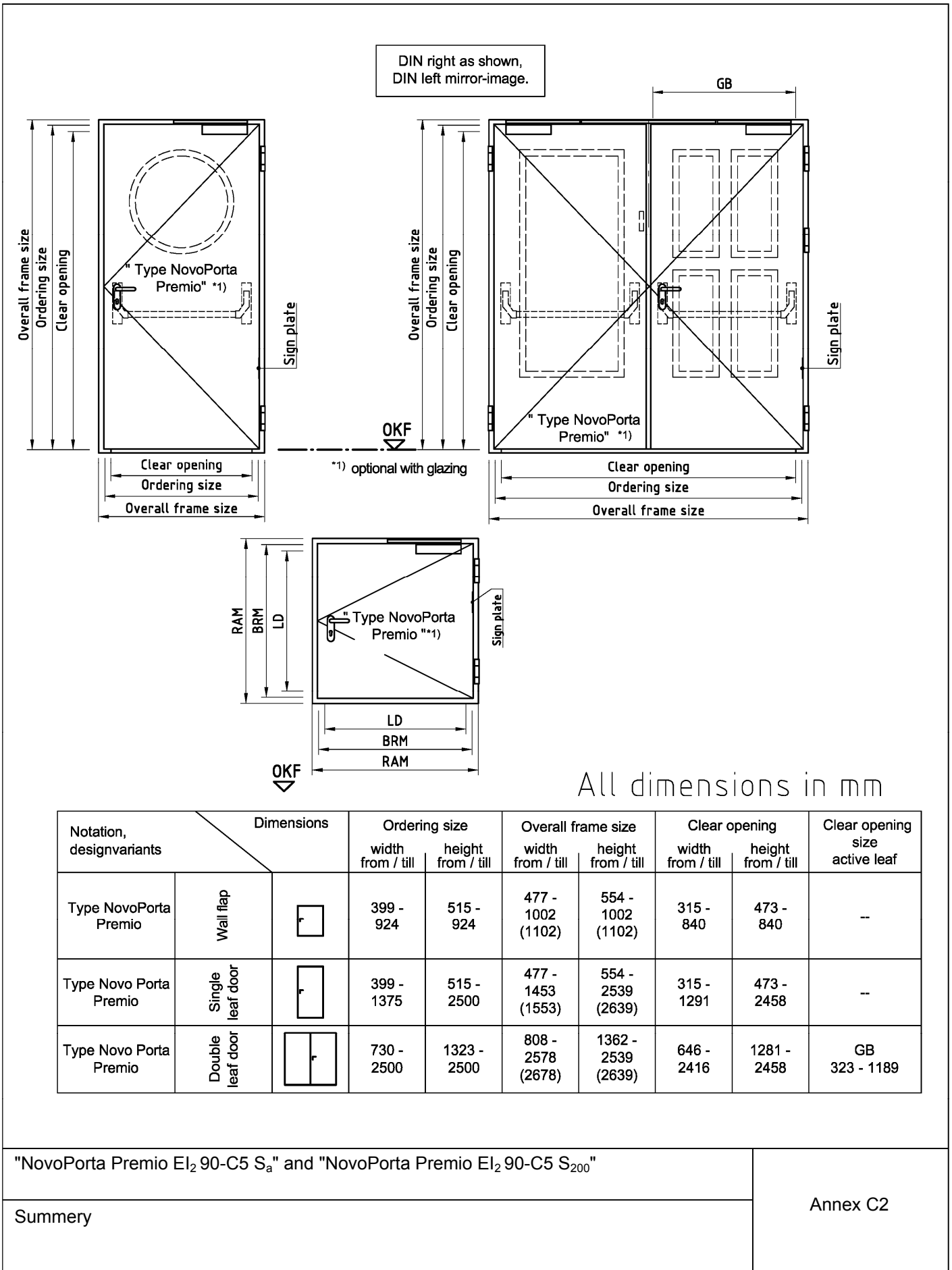
Single leaf fire resisting and/or smoke control doorsets are verified at levels other than the floor level (i.e. at increased heights). These doorsets in the area of the frame of the leaf have to be designed with a four-sided permanently elastic seal to prevent smoke from penetrating. The lower edge of the leaf and the frame has to be designed like the upper edge.

The system setup of the product is given in Annexes C2 to C10.

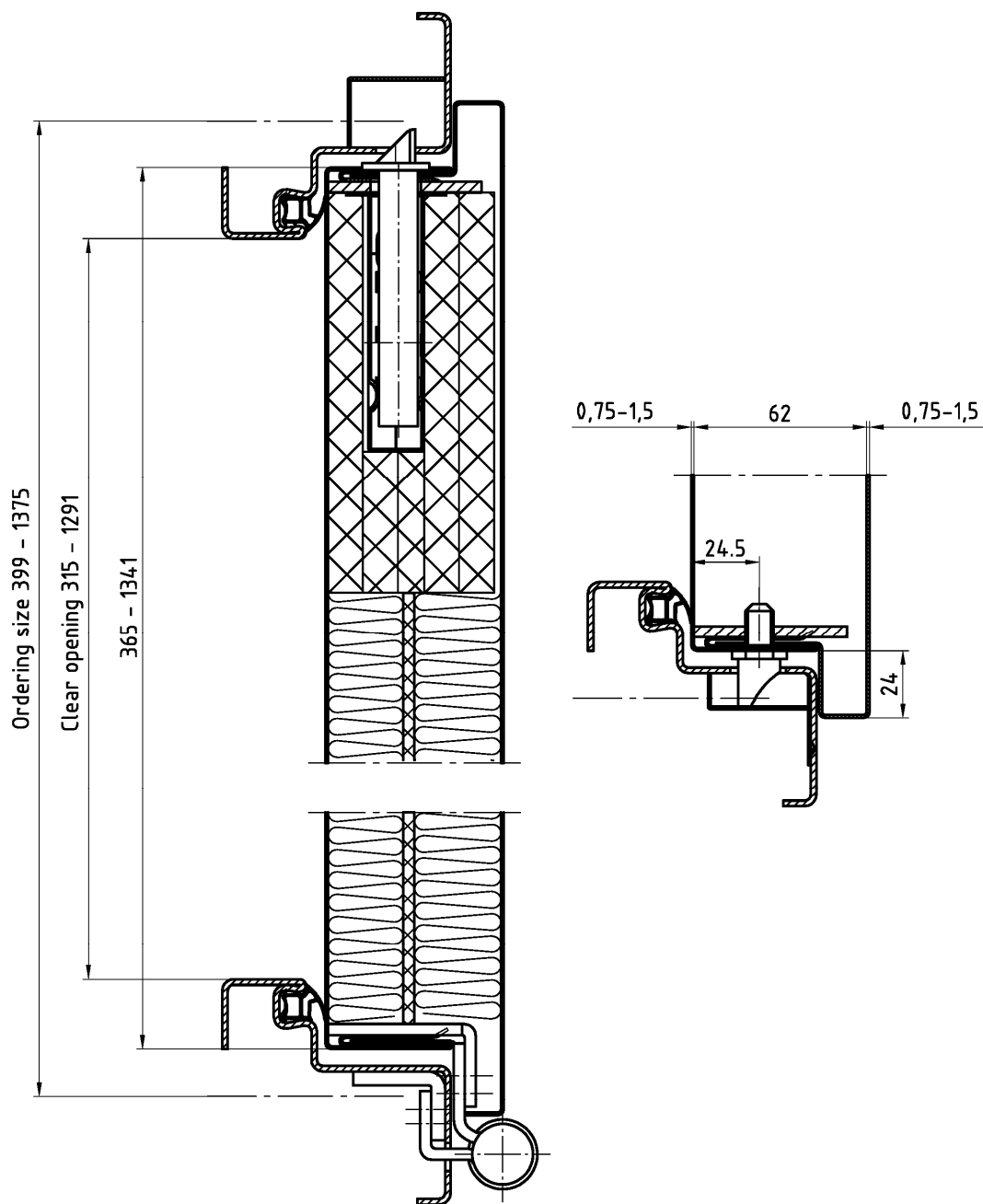
The products "NovoPorta Premio EI₂ 90-C5 S_a" und "NovoPorta Premio EI₂ 90-C5 S₂₀₀" are proved as internal fire resisting and/or smoke control single and double leaf doorsets in internal walls:

- ≥ 175 mm high density solid wall of masonry with an overall density of ≥ 850 kg/m³, or
- ≥ 140 mm solid wall of concrete masonry with an overall density ≥ 850 kg/m³, or
- ≥ 175 mm low density solid wall of aerated concrete with an overall density of $\geq 650 \pm 200$ kg/m³, or
- ≥ 100 mm fire resistant light weight plasterboard faced steel stud partition.

English translation prepared by DIBt



electronic copy of the eta by dibt: eta-17/0443

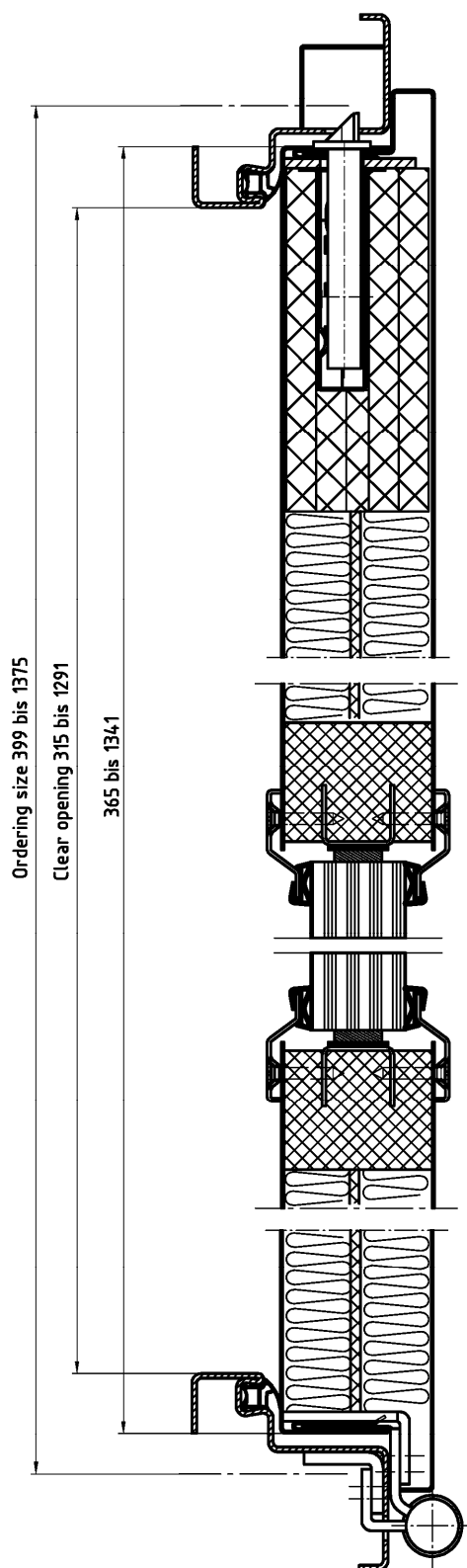


electronic copy of the eta by dibt: eta-17/0443

"NovoPorta Premio EI₂ 90-C5 S_a" and "NovoPorta Premio EI₂ 90-C5 S₂₀₀"

Construction – horizontal section single leaf doorset

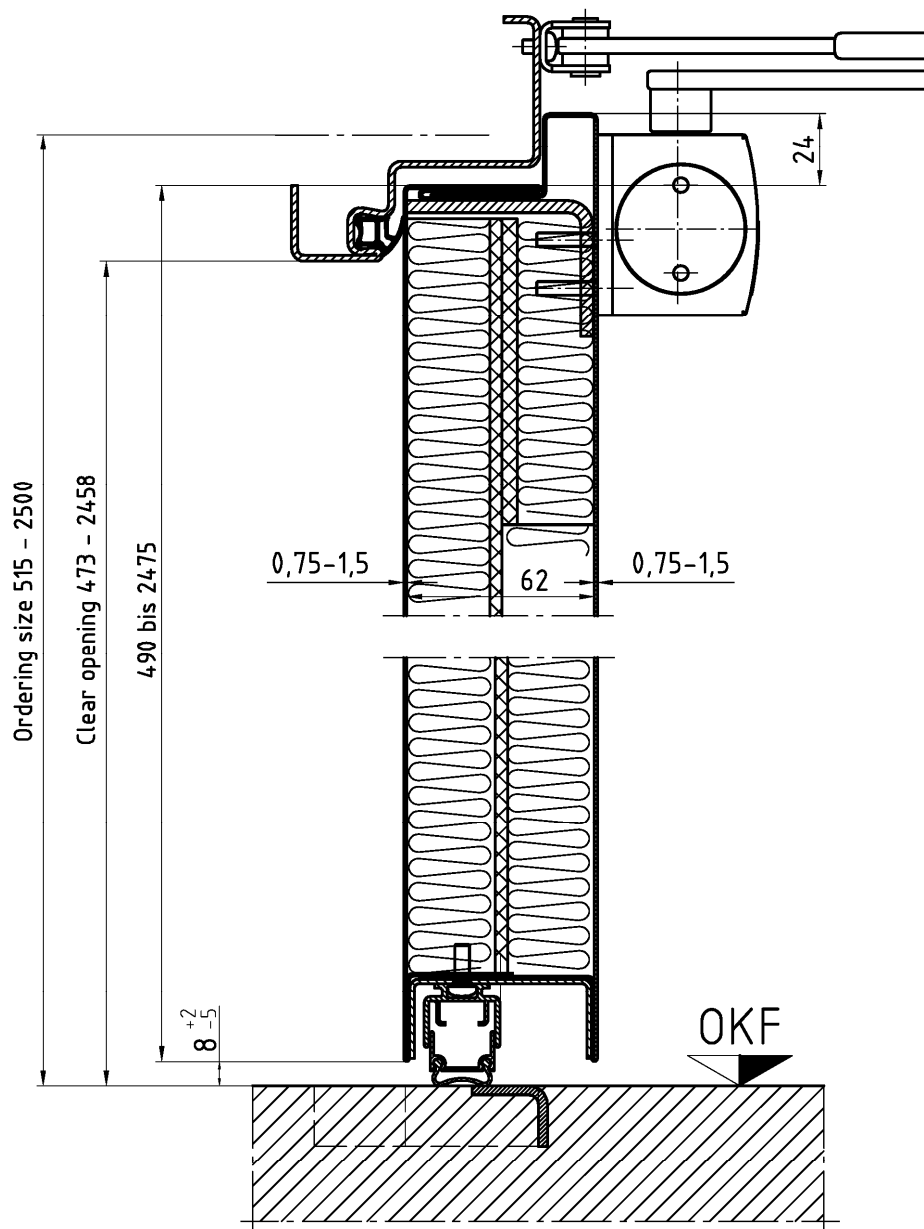
Annex C3



"NovoPorta Premio EI₂ 90-C5 S_a" and "NovoPorta Premio EI₂ 90-C5 S₂₀₀"

Construction – horizontal section single leaf doorset

Annex C4

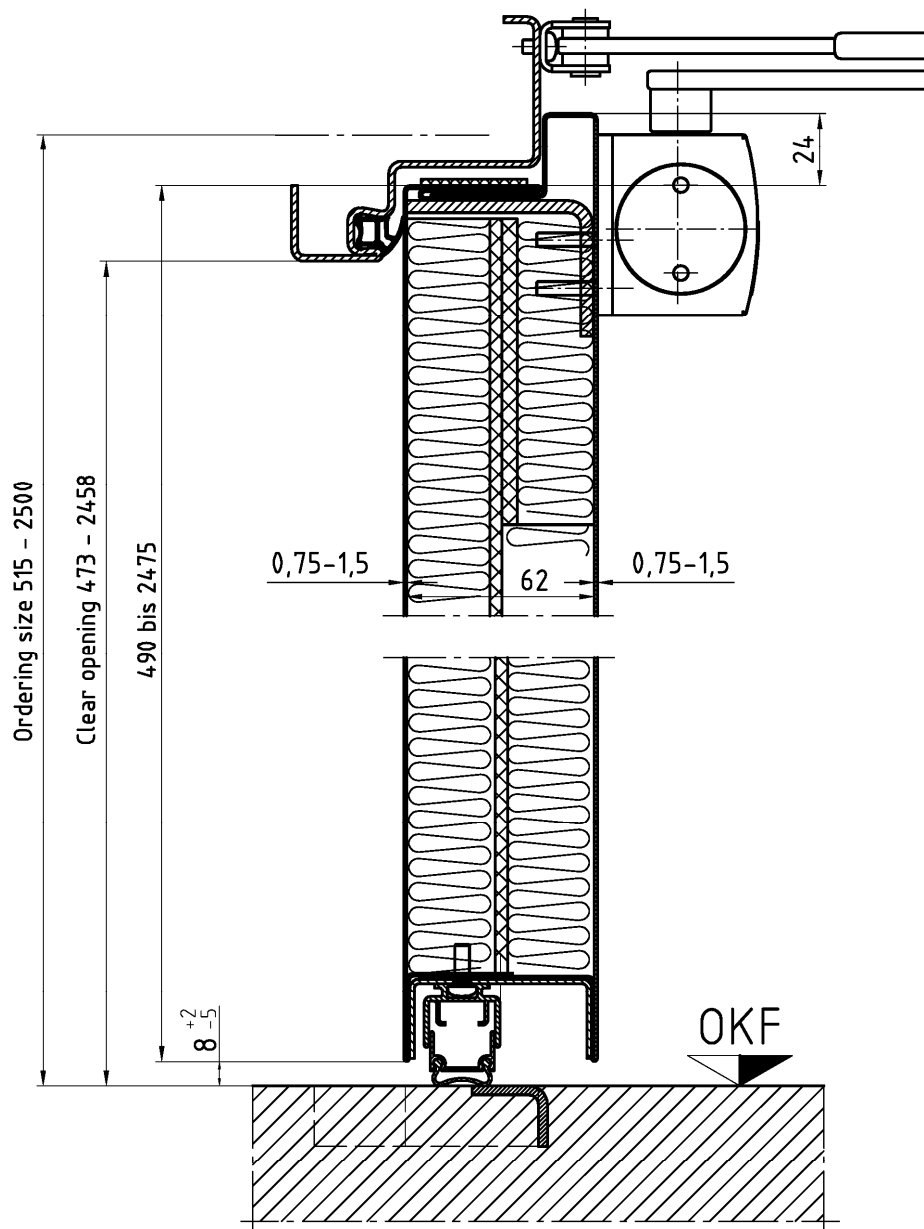


electronic copy of the eta by dibt: eta-17/0443

"NovoPorta Premio EI₂ 90-C5 S_a" and "NovoPorta Premio EI₂ 90-C5 S₂₀₀"

Construction – vertical section single and double leaf doorset

Annex C5

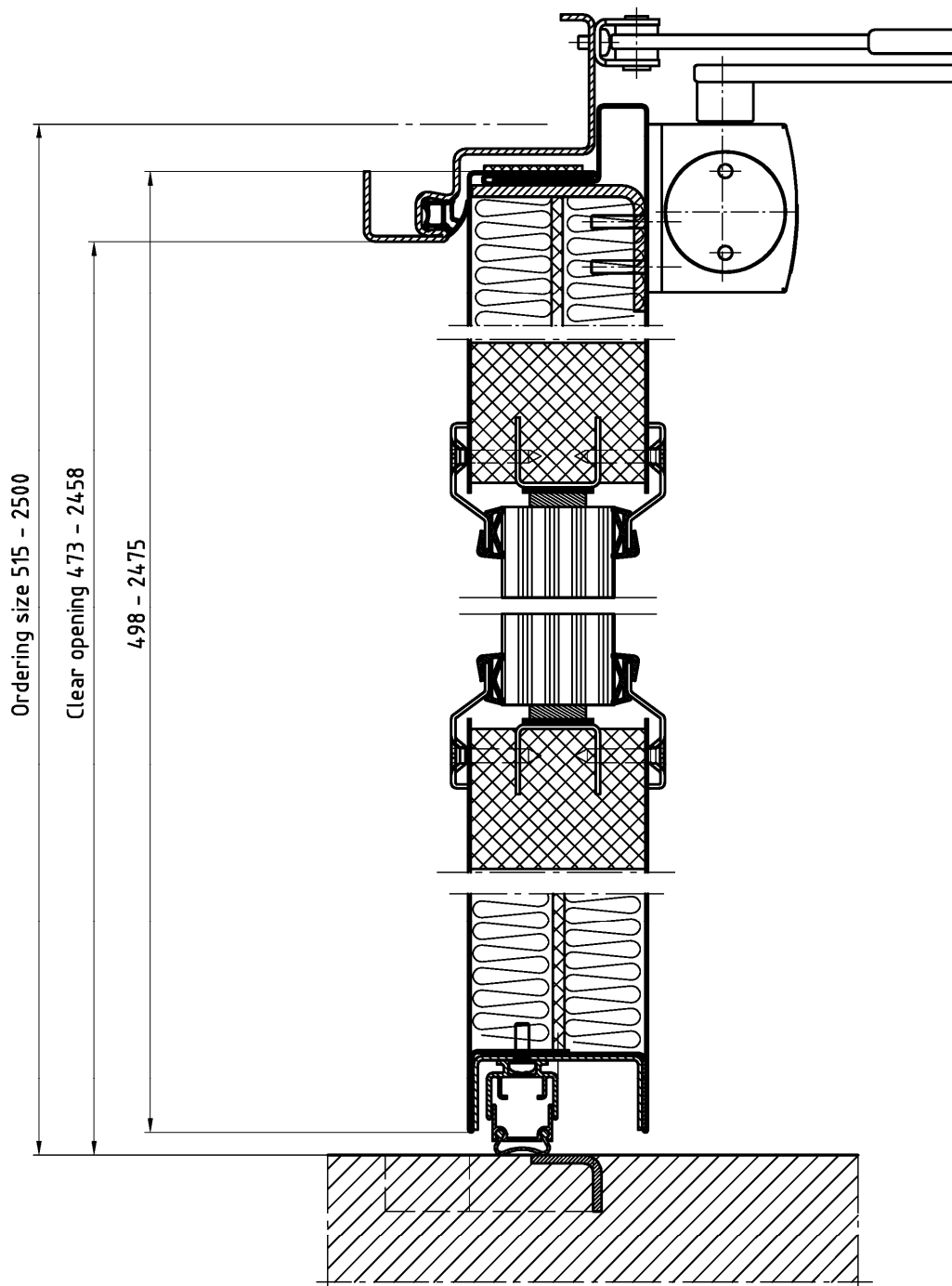


electronic copy of the eta by dibt: eta-17/0443

"NovoPorta Premio EI₂ 90-C5 S_a" and "NovoPorta Premio EI₂ 90-C5 S₂₀₀"

Construction – vertical section single and double leaf doorset

Annex C6

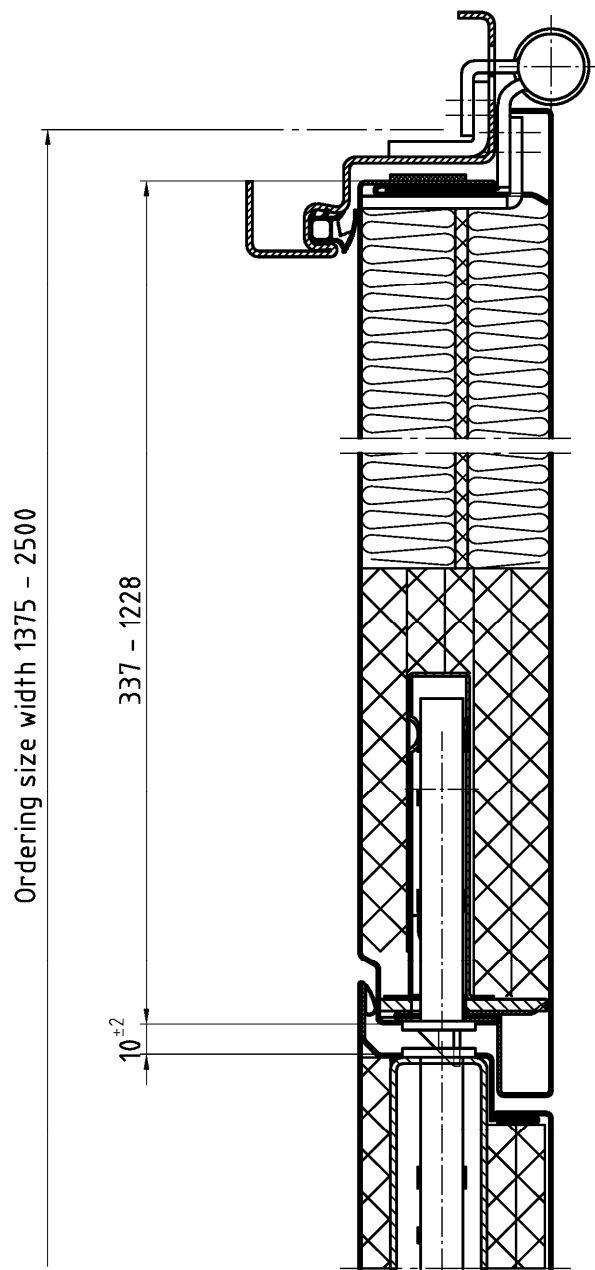


electronic copy of the eta by dibt: eta-17/0443

"NovoPorta Premio EI₂ 90-C5 S_a" and "NovoPorta Premio EI₂ 90-C5 S₂₀₀"

Construction – vertical section single and double leaf doorset

Annex C7

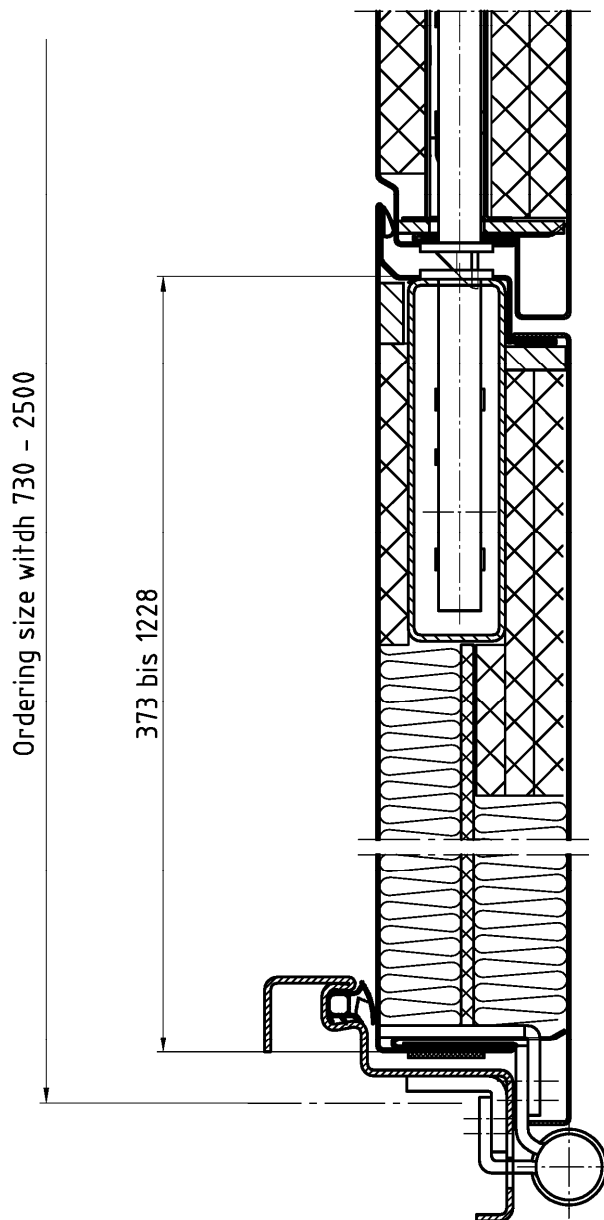


electronic copy of the eta by dibt: eta-17/0443

"NovoPorta Premio EI₂ 90-C5 S_a" and "NovoPorta Premio EI₂ 90-C5 S₂₀₀"

Construction – horizontal section double leaf doorset

Annex C8

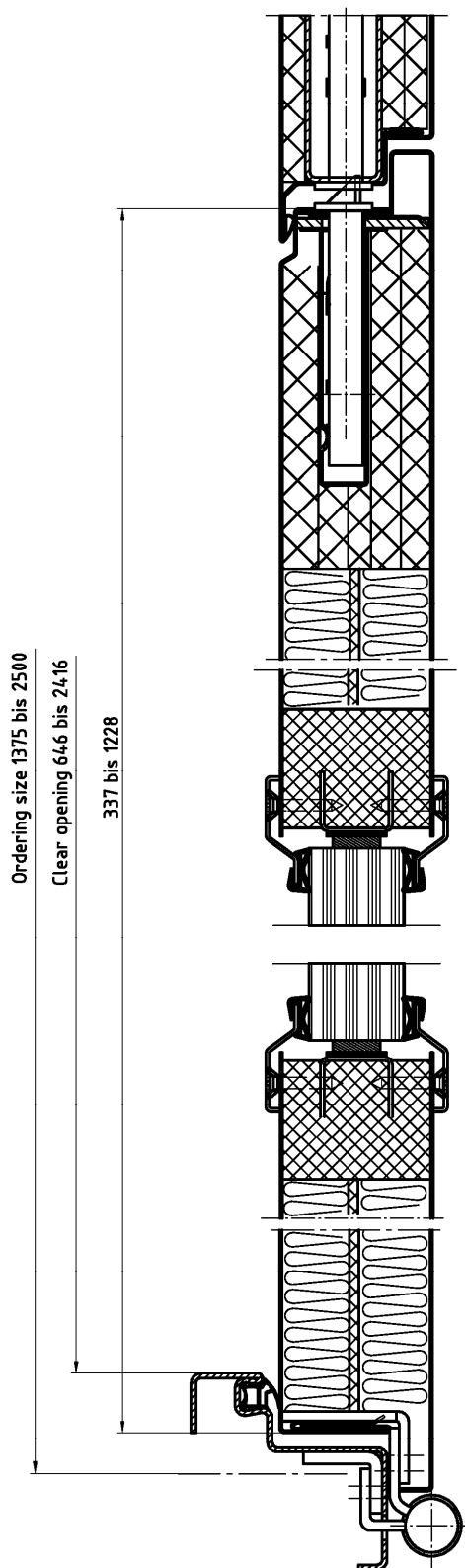


electronic copy of the eta by dibt: eta-17/0443

"NovoPorta Premio EI₂ 90-C5 S_a" and "NovoPorta Premio EI₂ 90-C5 S₂₀₀"

Construction – horizontal section double leaf doorset

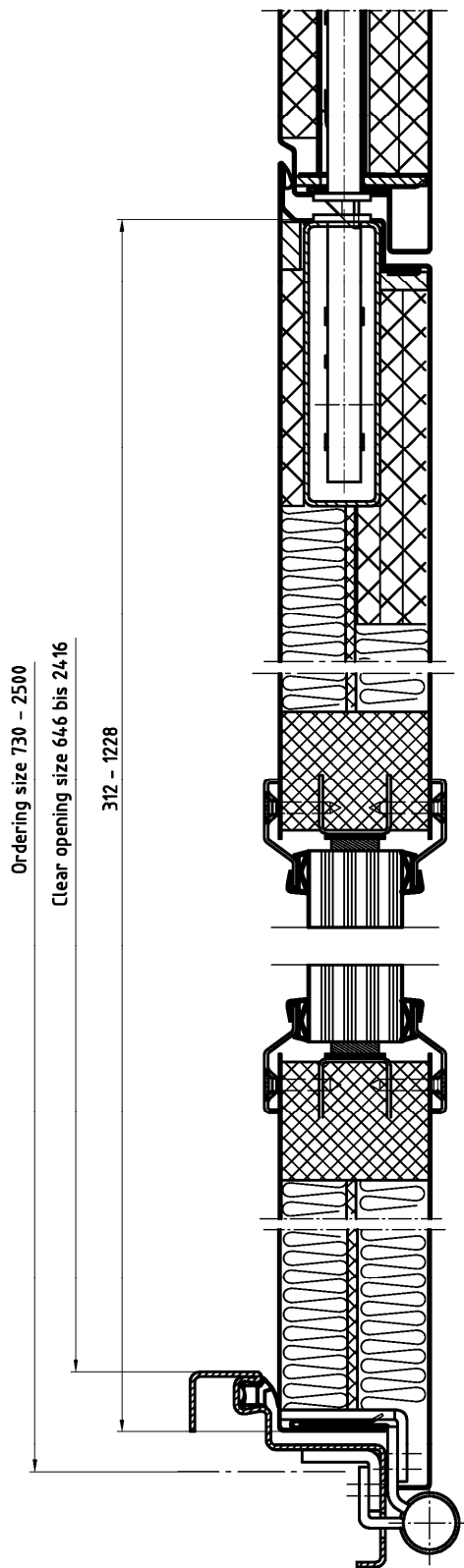
Annex C9



"NovoPorta Premio EI₂ 90-C5 S_a" and "NovoPorta Premio EI₂ 90-C5 S₂₀₀"

Construction – horizontal section double leaf doorset

Annex C10



electronic copy of the eta by dibt: eta-17/0443

"NovoPorta Premio EI₂ 90-C5 S_a" and "NovoPorta Premio EI₂ 90-C5 S₂₀₀"

Construction – horizontal section double leaf doorset

Annex C10