

Approval body for construction products  
and types of construction

Bautechnisches Prüfamt

An institution established by the Federal and  
Laender Governments



## European Technical Assessment

**ETA-18/0500**  
**of 14 May 2019**

English translation prepared by DIBt - Original version in German language

### General Part

Technical Assessment Body issuing the  
European Technical Assessment:

Deutsches Institut für Bautechnik

Trade name of the construction product

"NovoPorta Plano..."

Product family  
to which the construction product belongs

Internal fire resisting and/or smoke control single and  
double leaf doorsets made of steel

Manufacturer

Novoform GmbH  
Schüttensteiner Straße 26  
46419 Isselburg-Werth  
DEUTSCHLAND

Manufacturing plant

Novoform Riexinger Türenwerke GmbH  
Industriestraße  
74336 Brackenheim  
DEUTSCHLAND  
Novoform GmbH  
Schüttensteiner Straße 26  
46419 Isselburg-Werth

This European Technical Assessment  
contains

23 pages including 18 annexes which form an integral  
part of this assessment

This European Technical Assessment is  
issued in accordance with Regulation (EU)  
No 305/2011, on the basis of

EAD 020029-00-1102

The European Technical Assessment is issued by the Technical Assessment Body in its official language. Translations of this European Technical Assessment in other languages shall fully correspond to the original issued document and shall be identified as such.

Communication of this European Technical Assessment, including transmission by electronic means, shall be in full. However, partial reproduction may only be made with the written consent of the issuing Technical Assessment Body. Any partial reproduction shall be identified as such.

This European Technical Assessment may be withdrawn by the issuing Technical Assessment Body, in particular pursuant to information by the Commission in accordance with Article 25(3) of Regulation (EU) No 305/2011.

## Specific Part

### 1 Technical description of the product

Internal fire resisting and/or smoke control single or double leaf doorsets (pivot doorsets) "NovoPorta Plano EI<sub>2</sub> 30-C5 S<sub>a</sub>" and "NovoPorta Plano EI<sub>2</sub> 30-C5 S<sub>200</sub>" - made of steel - are the subject of this ETA.

The products involve those which are used manually, opening and self-closing as a normal mode of operation. They can also be normally held open but self-close in the event of fire or smoke.

The fire resisting and/or smoke control doorsets shall be designed:

- using steel plates featuring fire-resistant inlays
- with building hardware,
- with or without flush over panel or transom panel (with or without glazing) and contained within a single perimeter frame for inclusion in a single aperture,
- with or without any vision panel(s) in the doorsets leaf or leave(s),
- with a three-sided permanently elastic seal and a permanently elastic middle rebate seal additionally in the event of double leaf doorsets (for fire resistance),
- with a three-sided permanently elastic seal and a permanently elastic middle rebate seal additionally in the event of double leaf doorsets in conjunction with a soil liner (for smoke control).

The system setup of the product "NovoPorta Plano EI<sub>2</sub> 30-C5 S<sub>a</sub>" and "NovoPorta Plano EI<sub>2</sub> 30-C5 S<sub>200</sub>" is given in Annexes 1 to 18.

### 2 Specification of the intended use in accordance with the applicable European Assessment Document

Fire resisting and/or smoke control doorsets are used internally as closures in fire resisting walls and/or for escape routes.

The products can be used as internal fire resisting and/or smoke control single and double leaf doorsets in internal walls.

The products "NovoPorta Plano EI<sub>2</sub> 30-C5 S<sub>a</sub>" and "NovoPorta Plano EI<sub>2</sub> 30-C5 S<sub>200</sub>" are proved as internal fire resisting and/or smoke control single and double leaf doorsets in internal walls:

- ≥ 115 mm high density solid wall of masonry with an overall density of ≥ 850 kg/m<sup>3</sup>, or
- ≥ 100 mm solid wall of concrete masonry with an overall density ≥ 850 kg/m<sup>3</sup>, or
- ≥ 150 mm low density solid wall of aerated concrete with an overall density of > 650 ± 200 kg/m<sup>3</sup>, or
- ≥ 100 mm fire resistant light weight plasterboard faced steel stud partition, or
- ≥ 100 mm fire resistant light weight plasterboard faced wood stud partition.

The verifications and assessment methods on which this European Technical Assessment is based lead the assumption of working life of the fire resisting and/or smoke control doorsets of 15 years. The indications given on the working life cannot be interpreted as a guarantee given by the producer, but are to be regarded only as a means for choosing the right products in relation to the expected economically reasonable working life of the works.

**3 Performance of the product and references to the methods used for its assessment**

**3.1 Mechanical resistance and stability (BWR 1) - not applicable**

**3.2 Safety in case of fire (BWR 2)**

Essential characteristic	Performance
Reaction to fire of components acc. to EN 13501-1	Steel plate A1
	Insulation A1
	Glazing A1 to E
	Gypsum plaster board A2
	Sealing A2
	Polyurethane foam B1
	Intumescent material E
Resistance to fire acc. to EN 13501-2	El <sub>2</sub> 30
Smoke control acc. to EN 13501-2	S <sub>a</sub> / S <sub>200</sub>

**3.3 Hygiene, health and the environment (BWR 3) - not applicable**

**3.4 Safety and accessibility in use (BWR 4)**

Essential characteristic	Performance
Self-closing acc. to EN 13501-2	C
Ability to release	"released"
Durability of the ability to release	"release maintained"
Durability of self-closing against degradation (cycling testing) acc. to EN 13501-2	5
Durability of self-closing against ageing (corrosion)	"achieved"
Impact resistance acc. to EN 13049	No performance assessed
Strength requirements	No performance assessed

**3.5 Protection against noise (BWR 5)**

Essential characteristic	Performance
Direct airborne sound insulation index acc. to EN ISO 717-1	Single leaf door Rw (C;Cw) = 22 (-1;-3) to Rw (C;Cw) = 42 (-2;-7)
	Double leaf door Rw (C;Cw) = 22 (-1;-3) to Rw (C;Cw) = 41 (-2;-6)

**3.6 Energy economy and heat retention (BWR 6) - not applicable**

**3.7 Sustainable use of natural resources (BWR 7)**

For the sustainable use of natural resources no performance was investigated for this product.

**4 Assessment and verification of constancy of performance (AVCP) system applied, with reference to its legal base**

In accordance with EAD No. 020029-00-1102, the applicable European legal act is: 1999/93/EU.

The system to be applied is: 1

**5 Technical details necessary for the implementation of the AVCP system, as provided for in the applicable EAD**

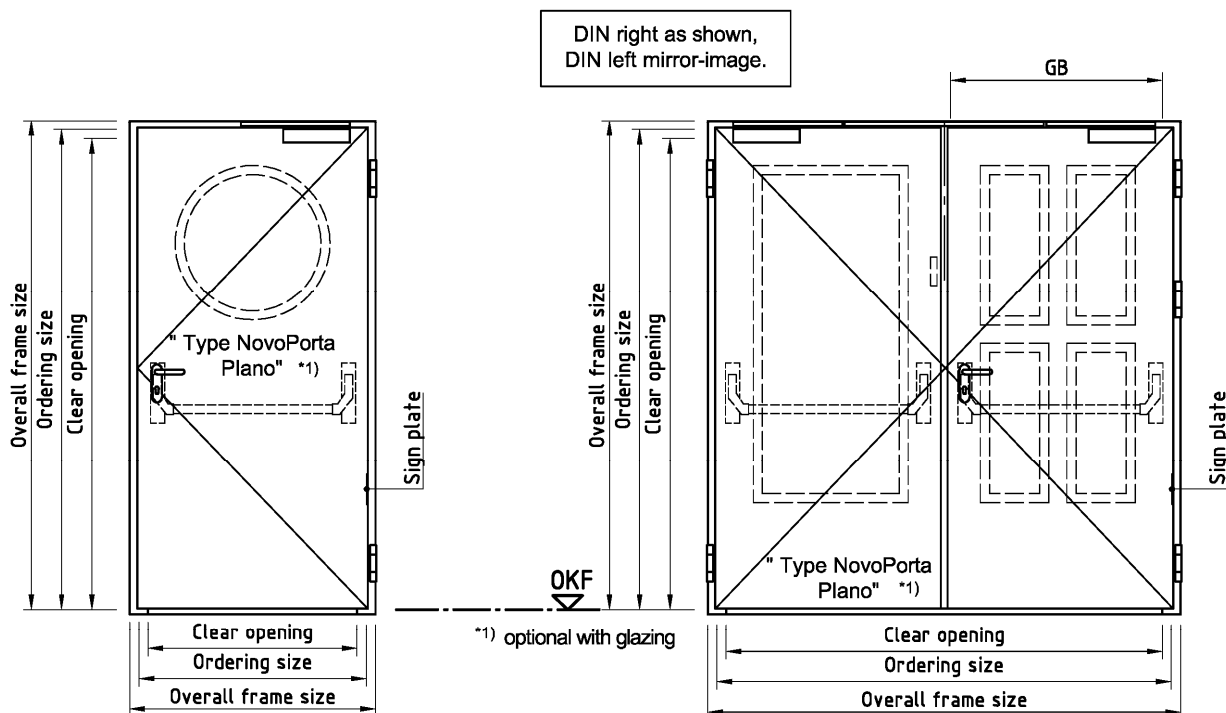
Technical details necessary for the implementation of the AVCP system are laid down in the control plan deposited with Deutsches Institut für Bautechnik.

Issued in Berlin on 14 May 2019 by Deutsches Institut für Bautechnik

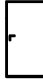
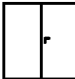
Prof. Gunter Hoppe  
Head of Department

*beglaubigt:*  
Pritzkow

English translation prepared by DIBt



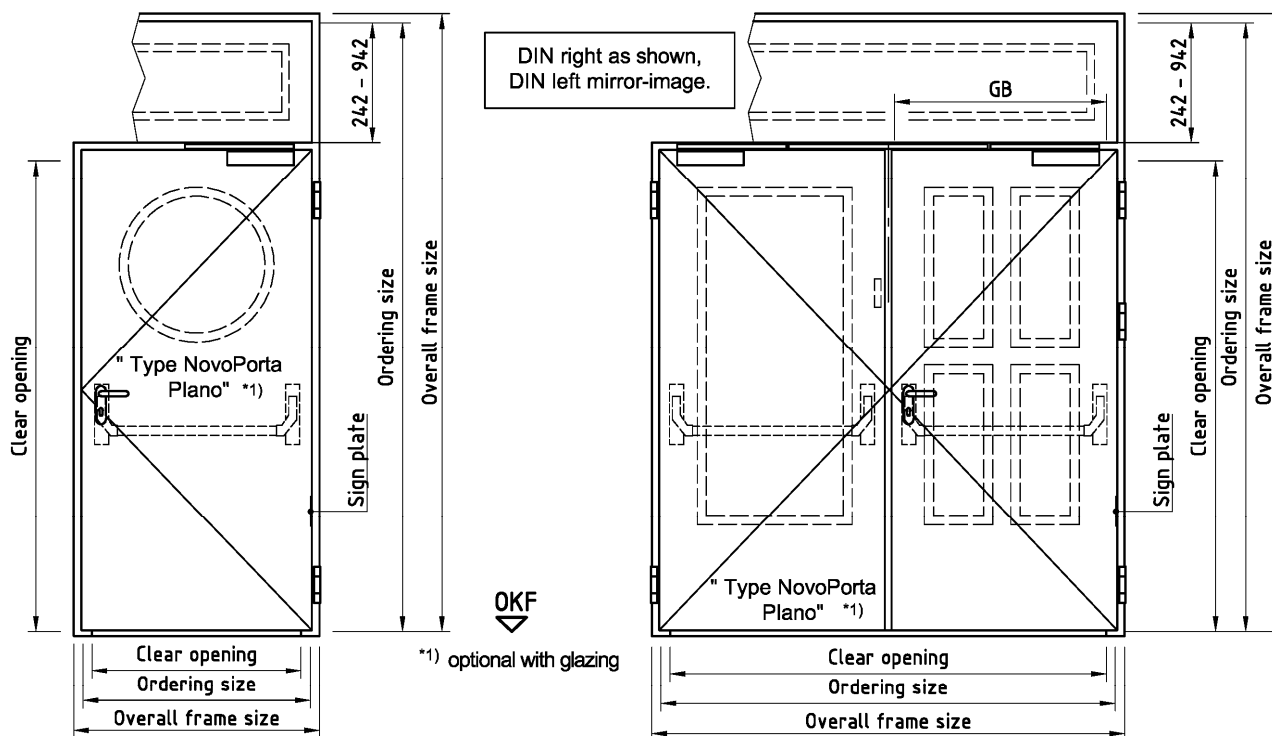
All dimensions in mm

Notation, designvariants		Dimensions	Ordering size		Overall frame size		Clear opening		Clear opening size active leaf
			width from / till	height from / till	width from / till	height from / till	width from / till	height from / till	
Type Novo Porta Plano	Single leaf door		625 - 1375	1500 - 2750	705 - 1455 (1555)	1540 - 2790 (2830)	575 - 1325	1475 - 2725	--
Type Novo Porta Plano	Double leaf door		1250 - 2500	1500 - 2500	1330 - 2580 (2680)	1540 - 2540 (2640)	1200 - 2450	1475 - 2475	GB 589 - 1206

"NovoPorta Plano EI<sub>2</sub>-C5 S<sub>a</sub>" und "NovoPorta Plano EI<sub>2</sub>-C5 S<sub>200</sub>"

Summery

Annex 1



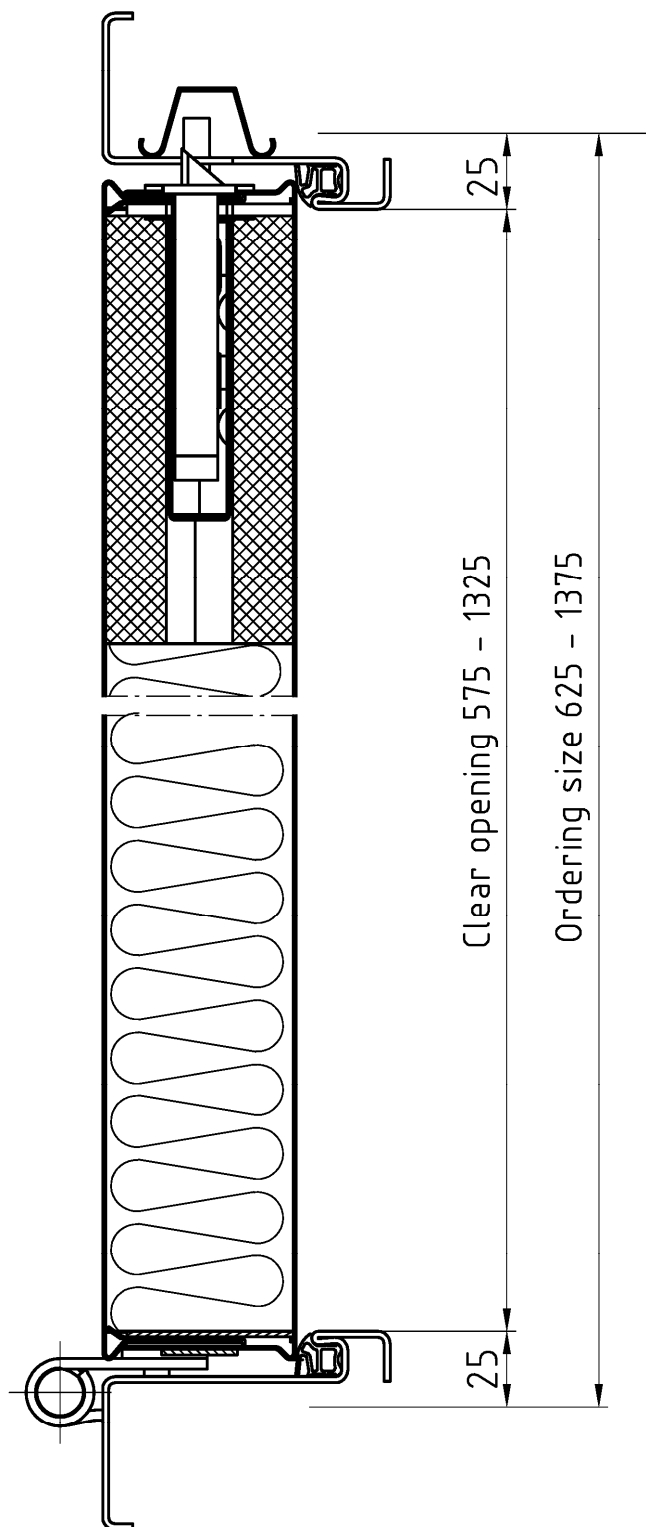
All dimensions in mm

Notation, designvariants		Dimensions	Ordering size		Overall frame size		Clear opening		Clear opening size active leaf
			width from / till	height from / till	width from / till	height from / till	width from / till	height from / till	
Type Novo Porta Plano	Single leaf door with overpanel		625 - 1375	1500 - 3500	705 - 1455 (1555)	2090 - 3540 (3640)	541 - 1325	1451 - 2475	--
Type Novo Porta Plano	Double leaf door with overpanel		1250 - 2500	1500 - 3500	1330 - 2580 (2680)	2090 - 3540 (3640)	1200 - 2450	1451 - 2475	GB 589 - 1206

"NovoPorta Plano EI<sub>2</sub>-C5 S<sub>a</sub>" und "NovoPorta Plano EI<sub>2</sub>-C5 S<sub>200</sub>"

Summery

Annex 2



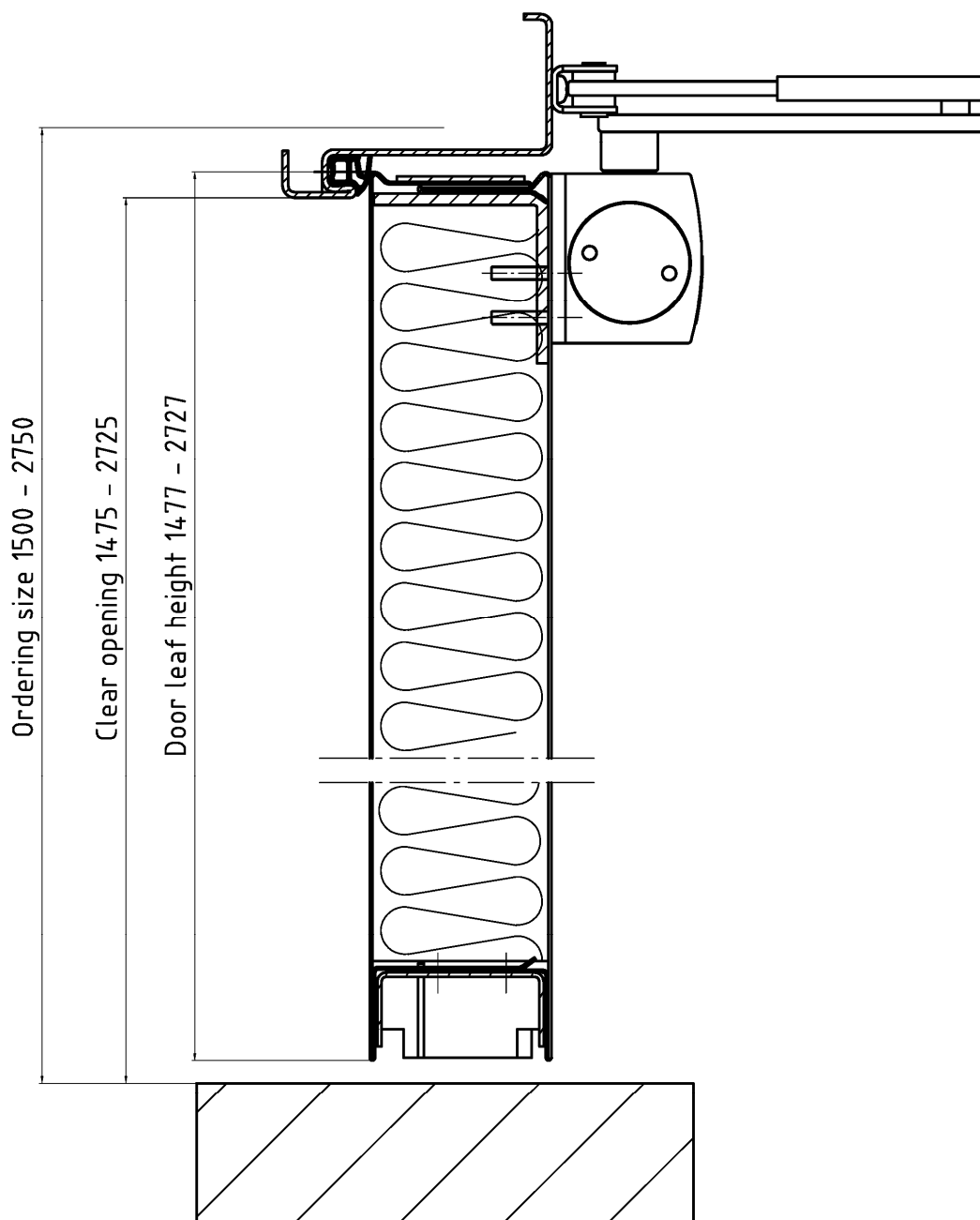
electronic copy of the eta by dibt: eta-18/0500

"NovoPorta Plano EI<sub>2</sub>-C5 S<sub>a</sub>" und "NovoPorta Plano EI<sub>2</sub>-C5 S<sub>200</sub>"

Construction – horizontal section single leaf doorset

Annex 3



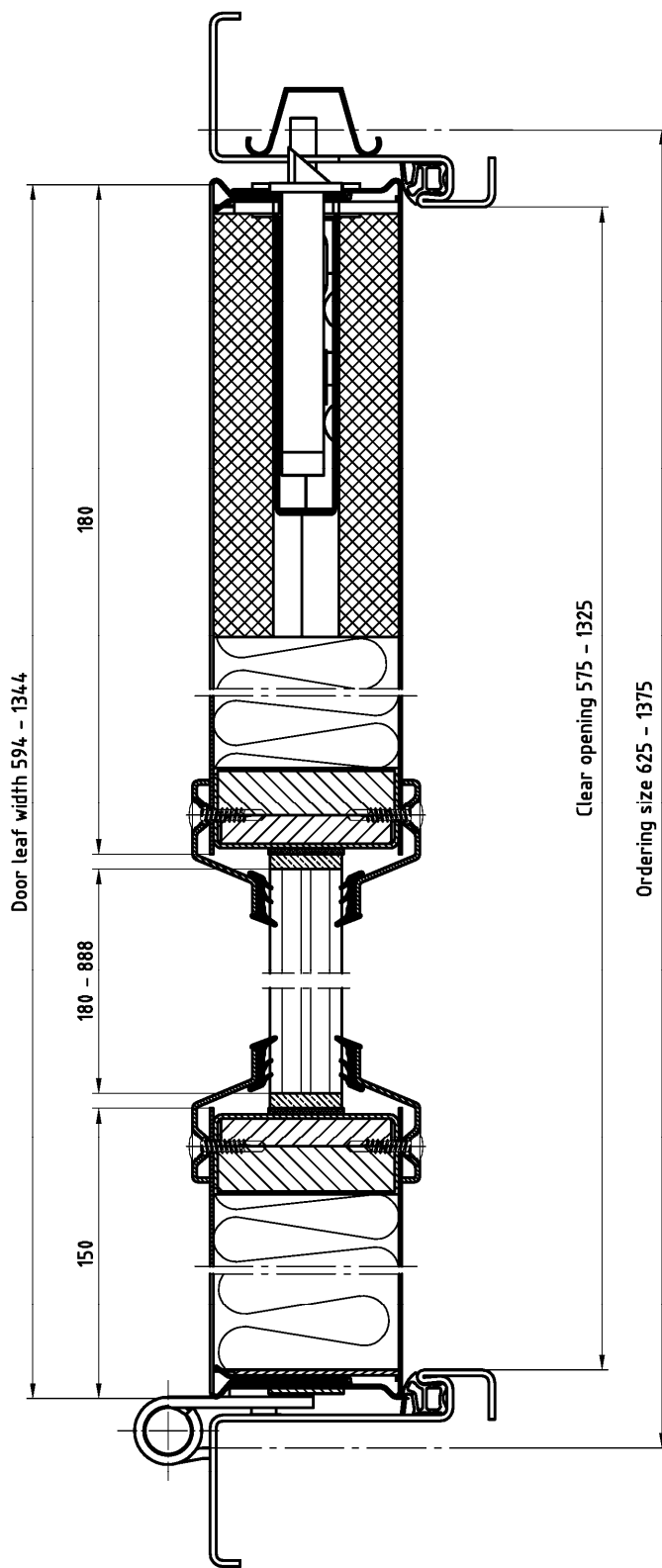


electronic copy of the eta by dibt: eta-18/0500

"NovoPorta Plano EI<sub>2</sub>-C5 S<sub>a</sub>" und "NovoPorta Plano EI<sub>2</sub>-C5 S<sub>200</sub>"

Construction – vertical section single and double leaf doorset

Annex 4

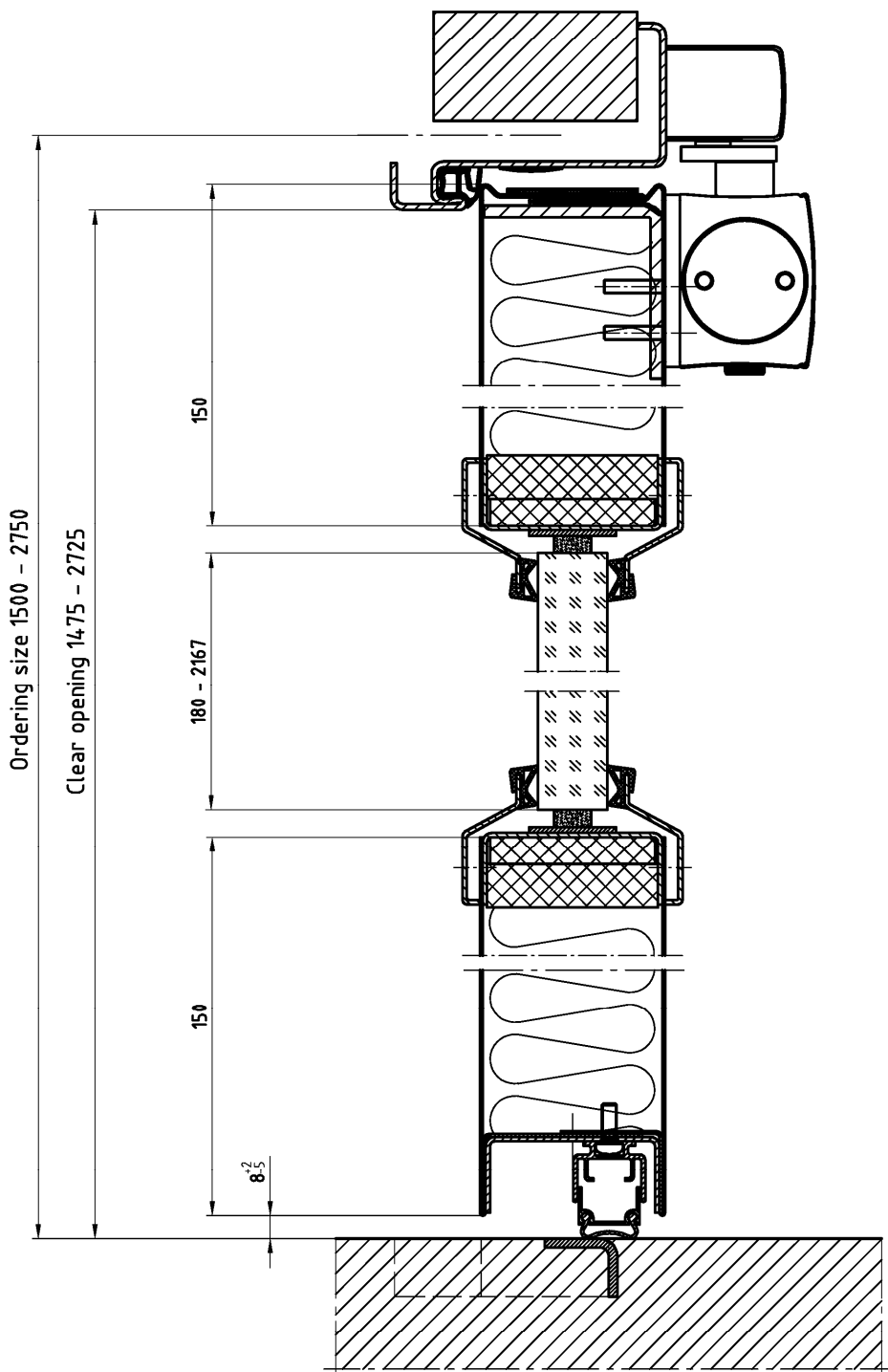


electronic copy of the eta by dibt: eta-18/0500

"NovoPorta Plano EI<sub>2</sub>-C5 S<sub>a</sub>" und "NovoPorta Plano EI<sub>2</sub>-C5 S<sub>200</sub>"

Construction – horizontal section single leaf doorset

Annex 5

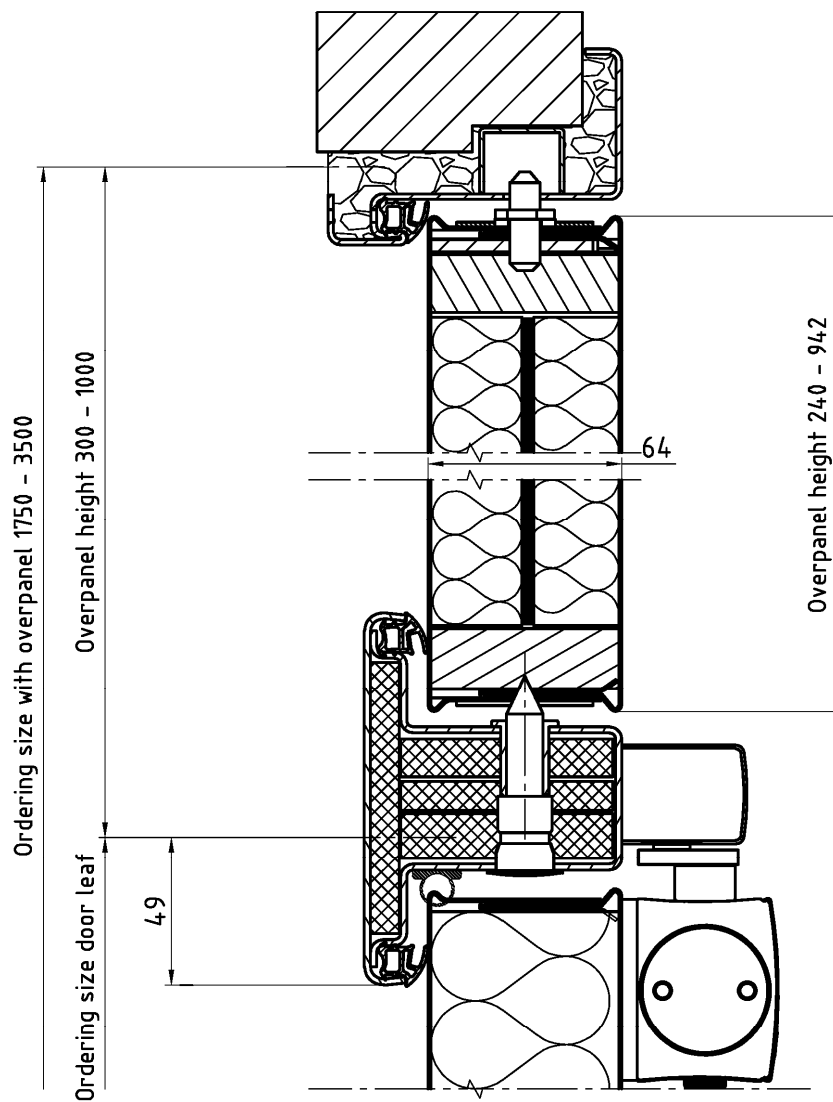


electronic copy of the eta by dibt: eta-18/0500

"NovoPorta Plano EI<sub>2</sub>-C5 S<sub>a</sub>" und "NovoPorta Plano EI<sub>2</sub>-C5 S<sub>200</sub>"

Construction – vertical section single and double leaf doorset

Annex 6

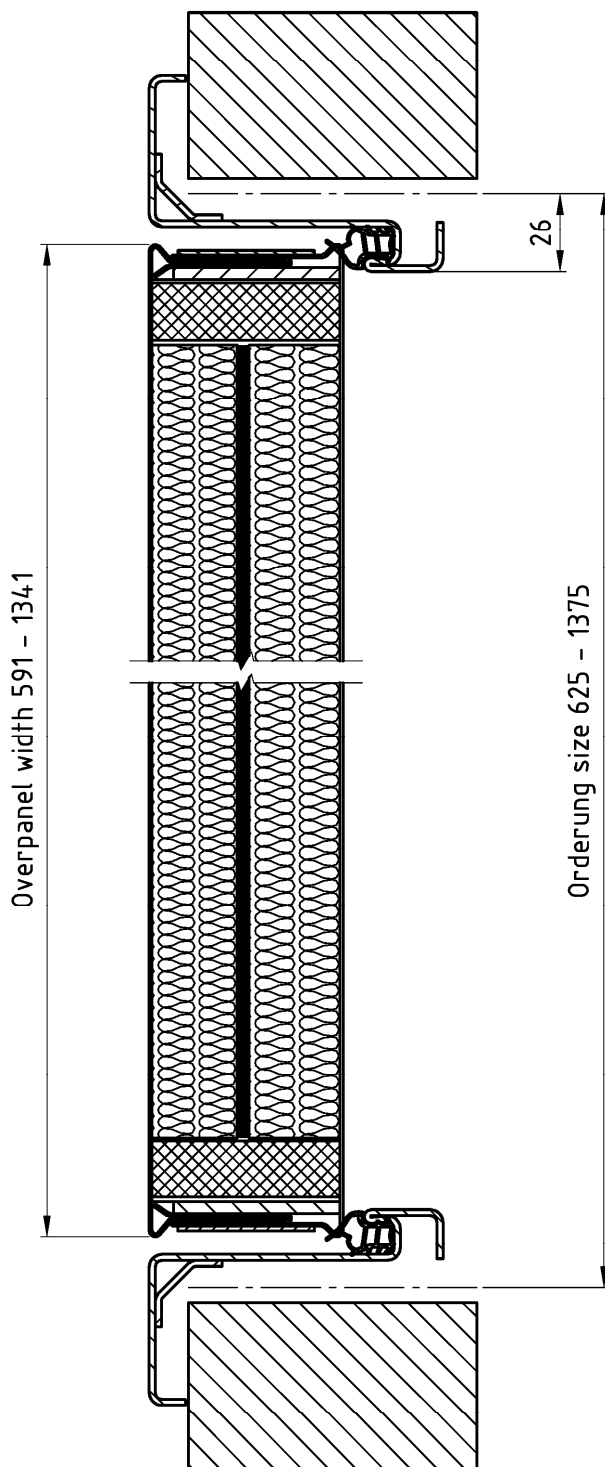


electronic copy of the eta by dibt: eta-18/0500

"NovoPorta Plano EI<sub>2</sub>-C5 S<sub>a</sub>" und "NovoPorta Plano EI<sub>2</sub>-C5 S<sub>200</sub>"

Construction – vertical section overpanel - single and double leaf doorset

Annex 7

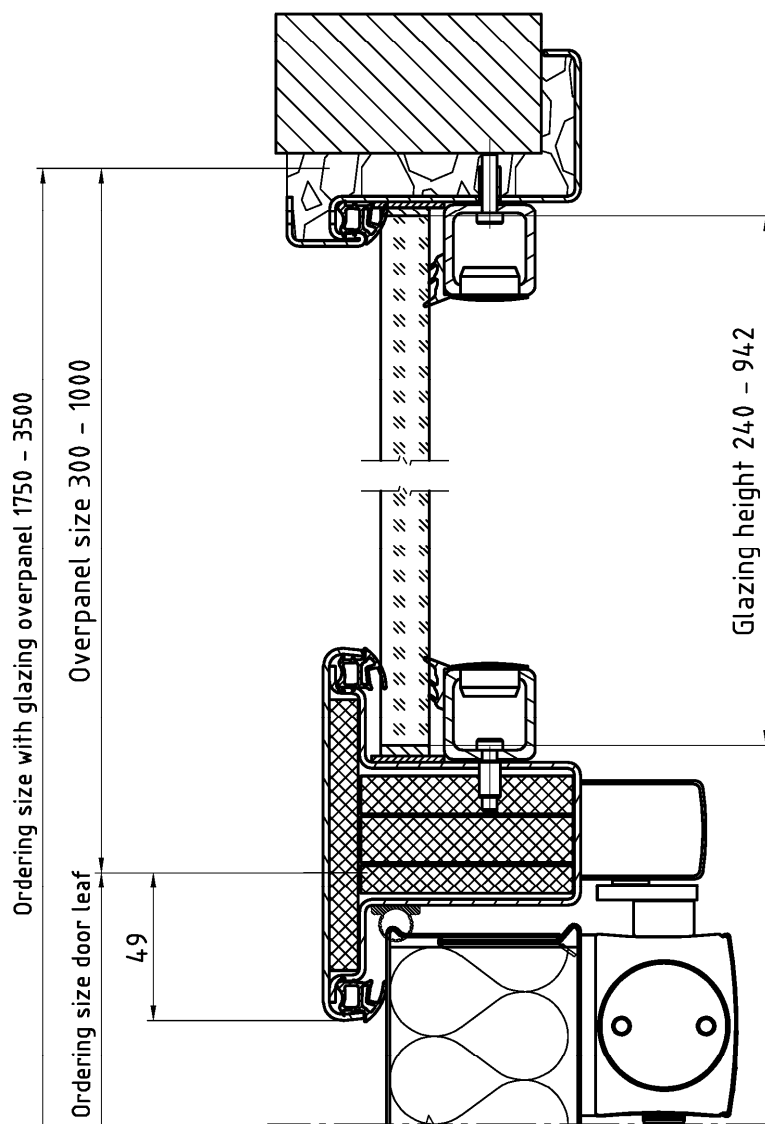


electronic copy of the eta by dibt: eta-18/0500

"NovoPorta Plano EI<sub>2</sub>-C5 S<sub>a</sub>" und "NovoPorta Plano EI<sub>2</sub>-C5 S<sub>200</sub>"

Construction – horizontal section overpanel - single leaf doorset

Annex 8

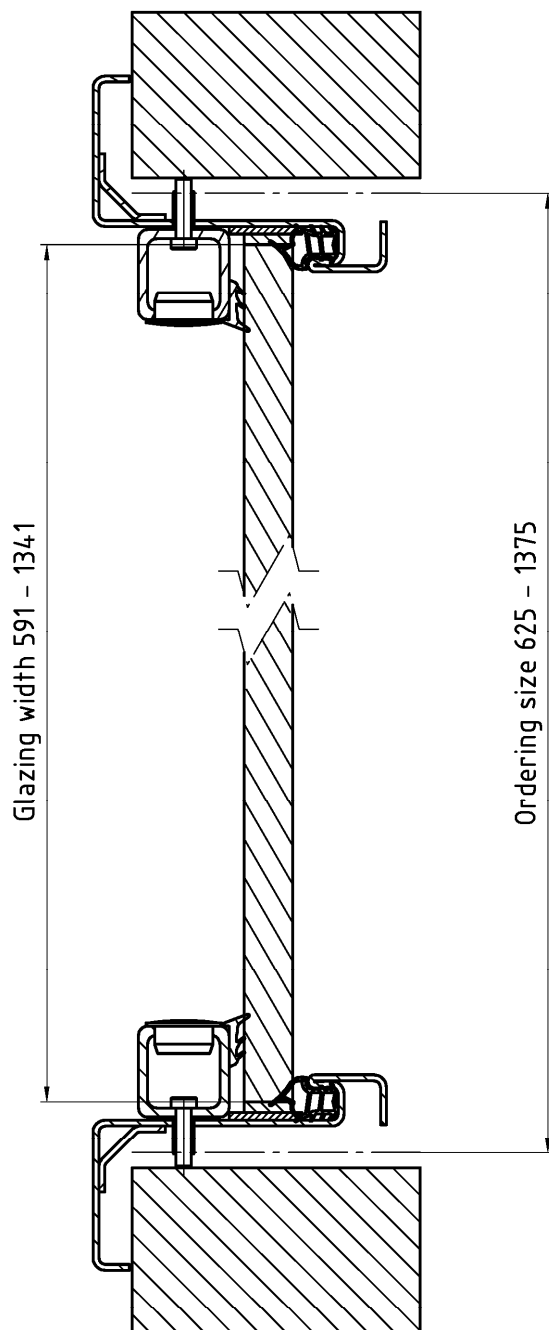


electronic copy of the eta by dibt: eta-18/0500

"NovoPorta Plano EI<sub>2</sub>-C5 S<sub>a</sub>" und "NovoPorta Plano EI<sub>2</sub>-C5 S<sub>200</sub>"

Construction – vertical section overpanel - single and double leaf doorset

Annex 9

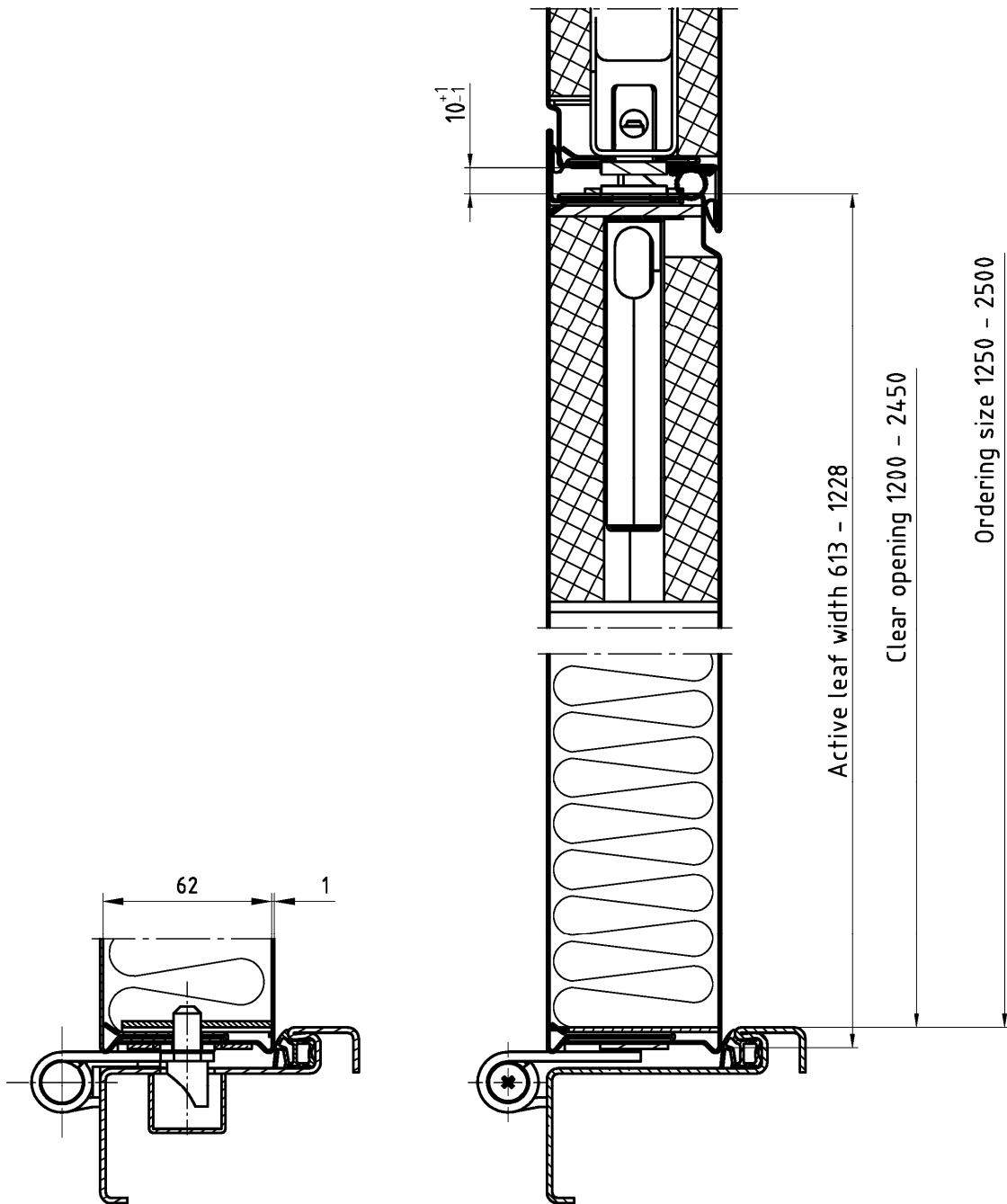


electronic copy of the eta by dibt: eta-18/0500

"NovoPorta Plano EI<sub>2</sub>-C5 S<sub>a</sub>" und "NovoPorta Plano EI<sub>2</sub>-C5 S<sub>200</sub>"

Construction – horizontal section overpanel - single leaf doorset

Annex 10



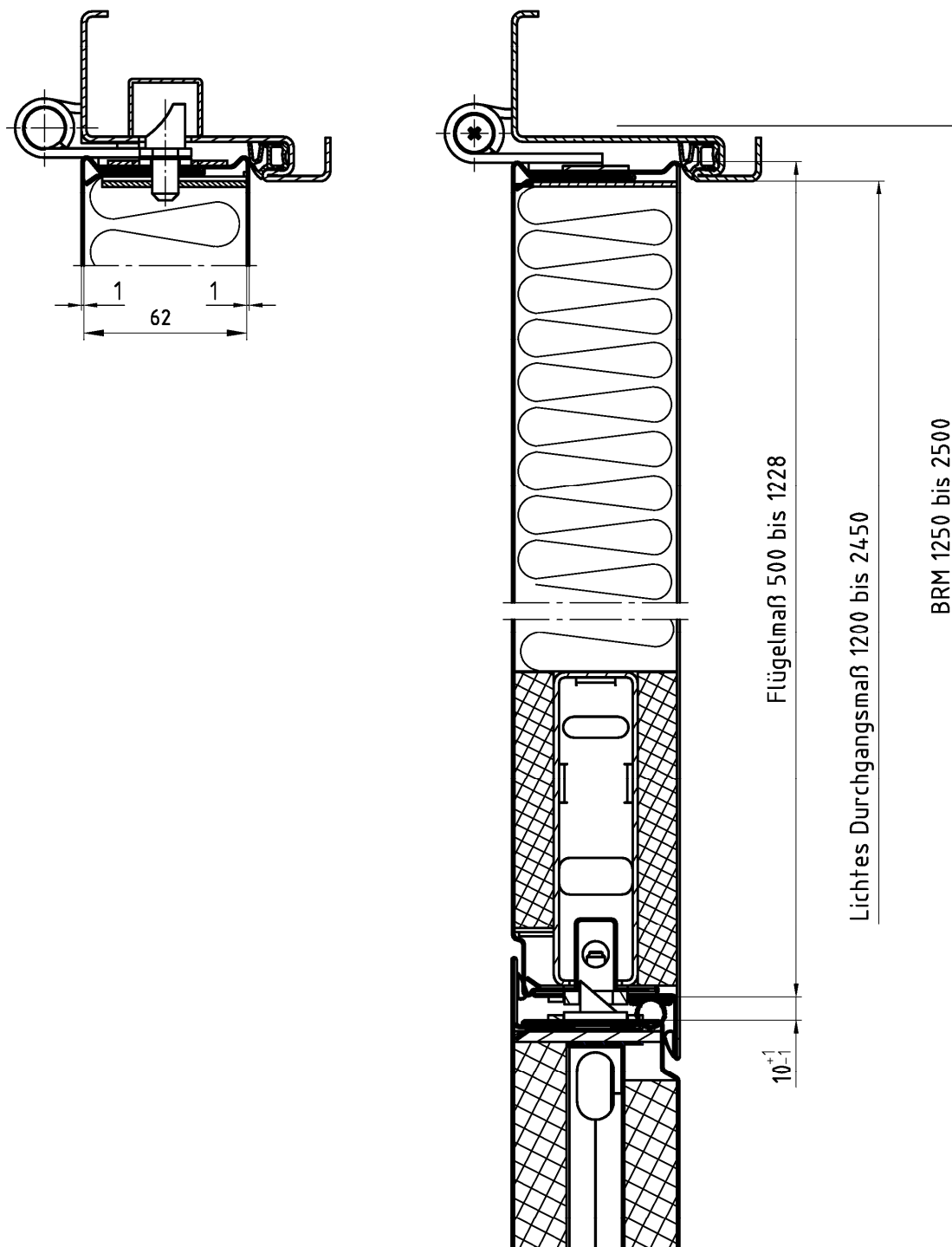
electronic copy of the eta by dibt: eta-18/0500

"NovoPorta Plano EI<sub>2</sub>-C5 S<sub>a</sub>" und "NovoPorta Plano EI<sub>2</sub>-C5 S<sub>200</sub>"

Construction – horizontal section double leaf doorset

Annex 11



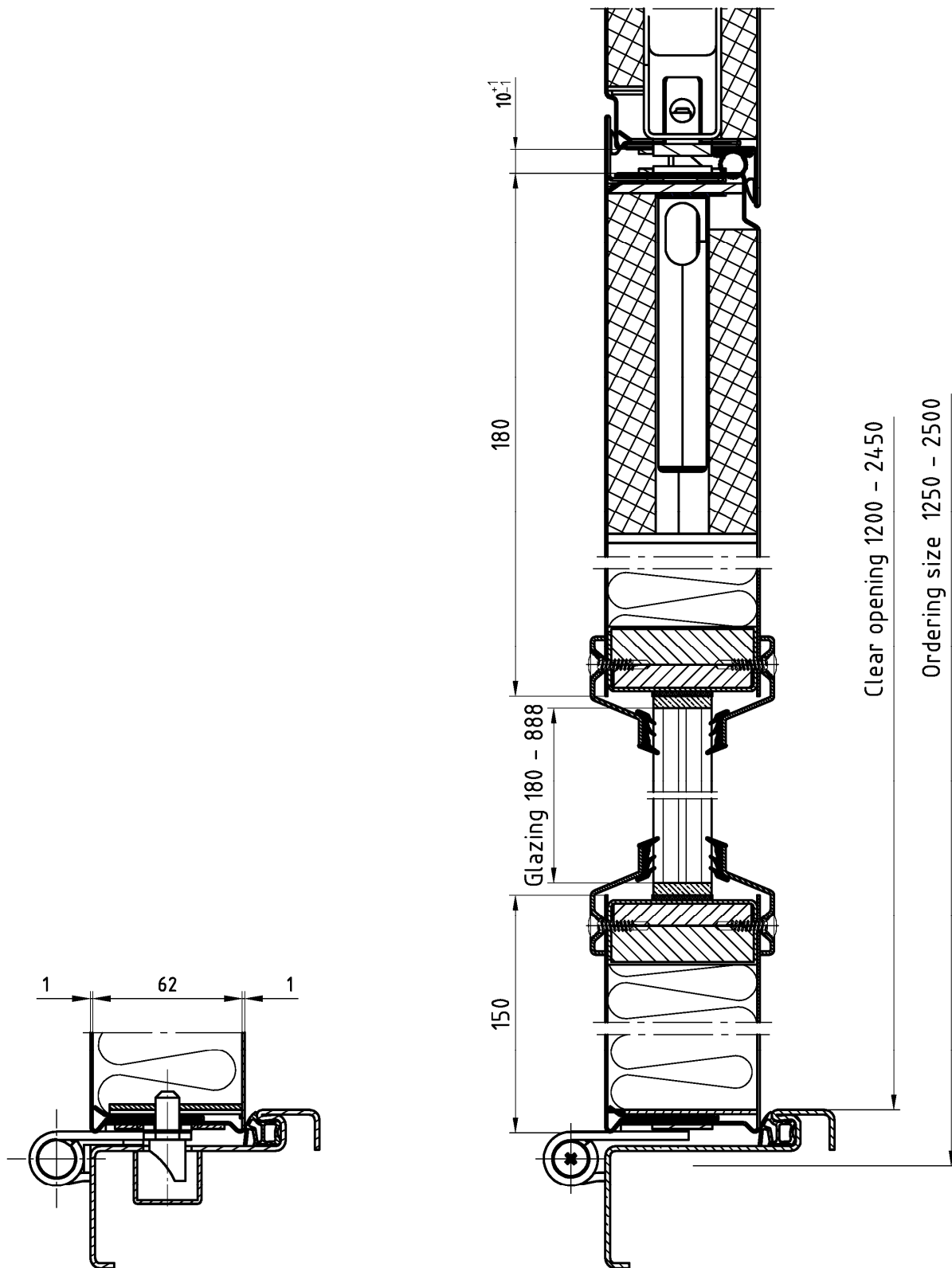


electronic copy of the eta by dibt: eta-18/0500

"NovoPorta Plano EI<sub>2</sub>-C5 S<sub>a</sub>" und "NovoPorta Plano EI<sub>2</sub>-C5 S<sub>200</sub>"

Construction – horizontal section double leaf doorset

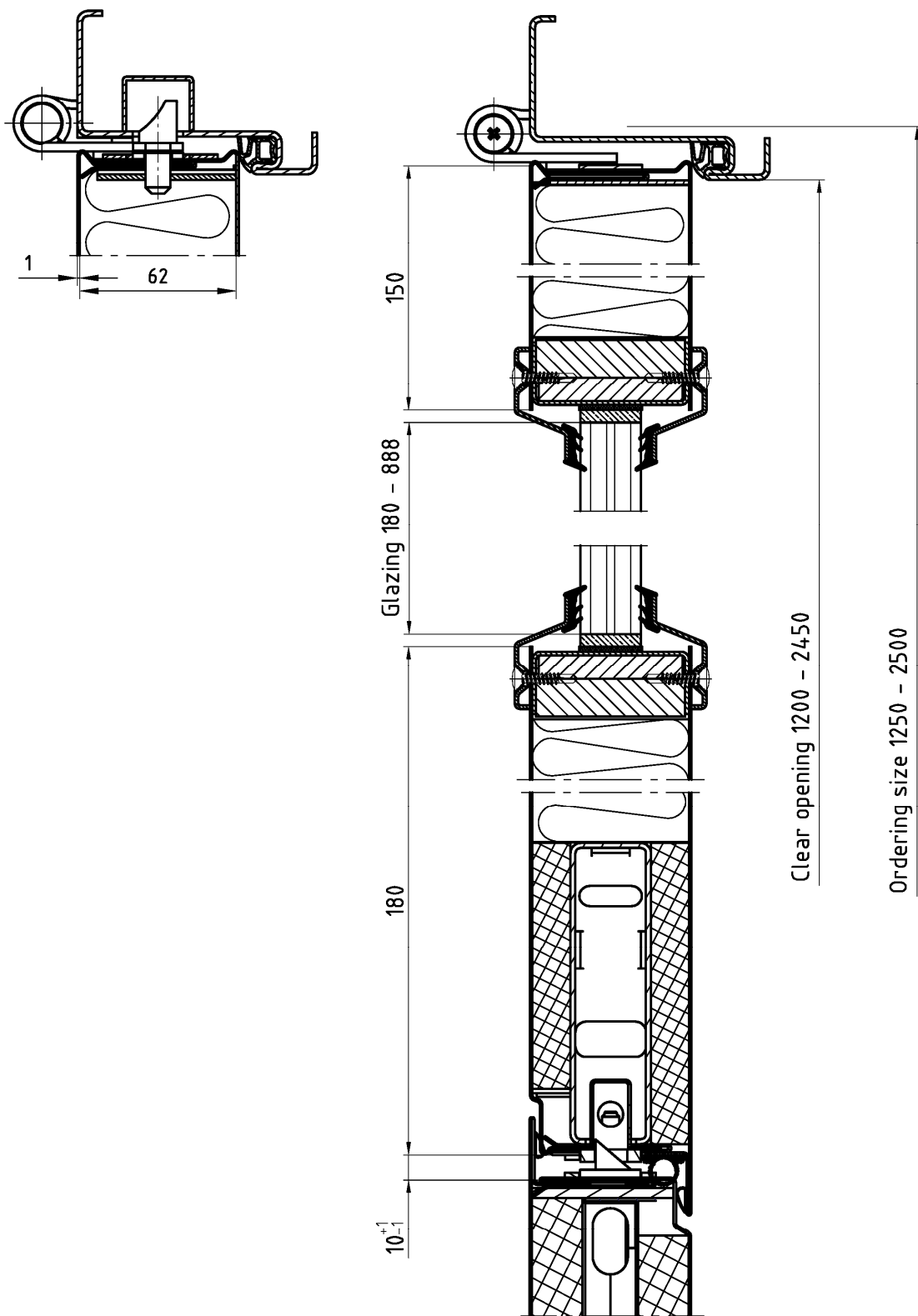
Annex 12



"NovoPorta Plano EI<sub>2</sub>-C5 S<sub>a</sub>" und "NovoPorta Plano EI<sub>2</sub>-C5 S<sub>200</sub>"

Construction – horizontal section double leaf doorset

Annex 13

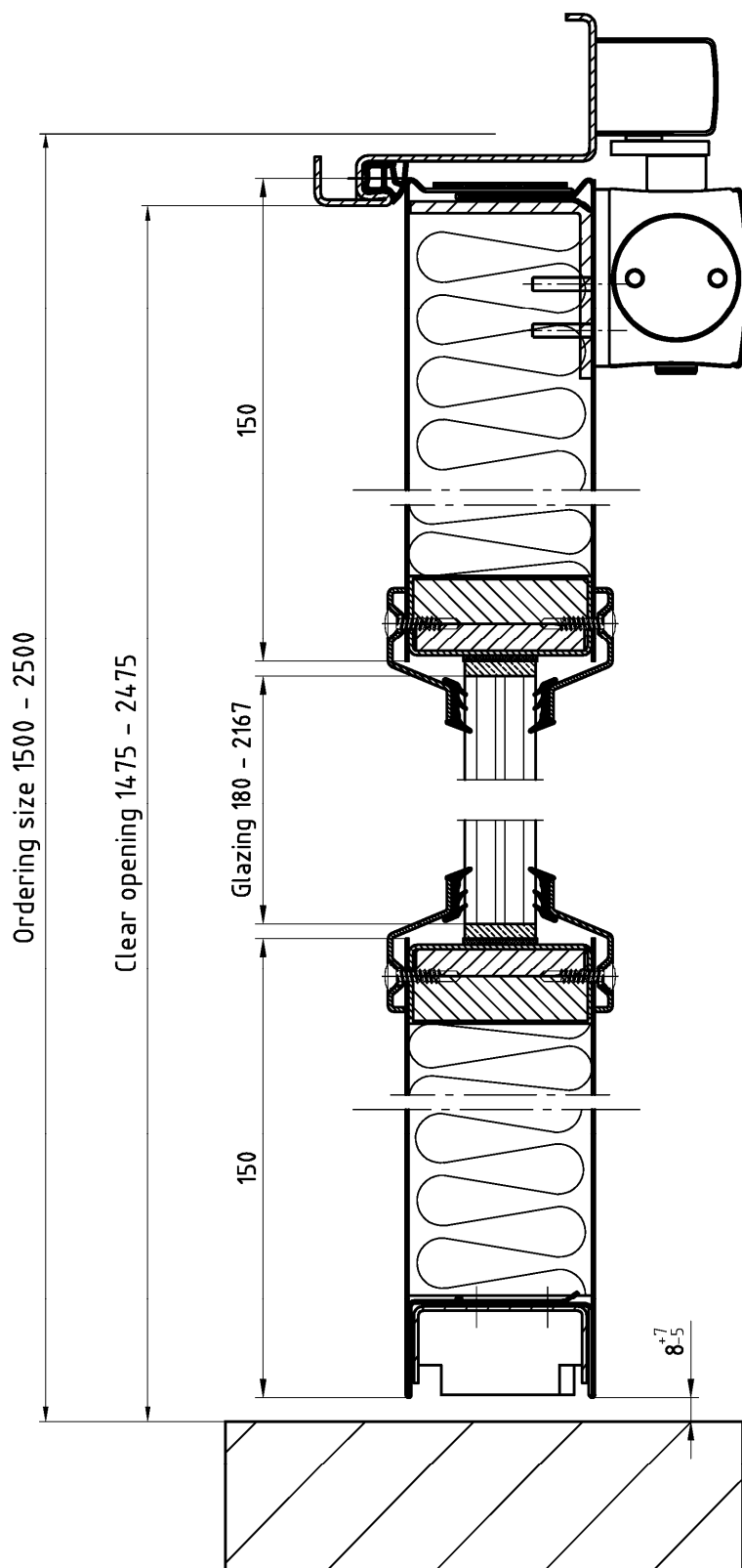


electronic copy of the eta by dibt: eta-18/0500

"NovoPorta Plano EI<sub>2</sub>-C5 S<sub>a</sub>" und "NovoPorta Plano EI<sub>2</sub>-C5 S<sub>200</sub>"

Construction – horizontal section double leaf doorset

Annex 14

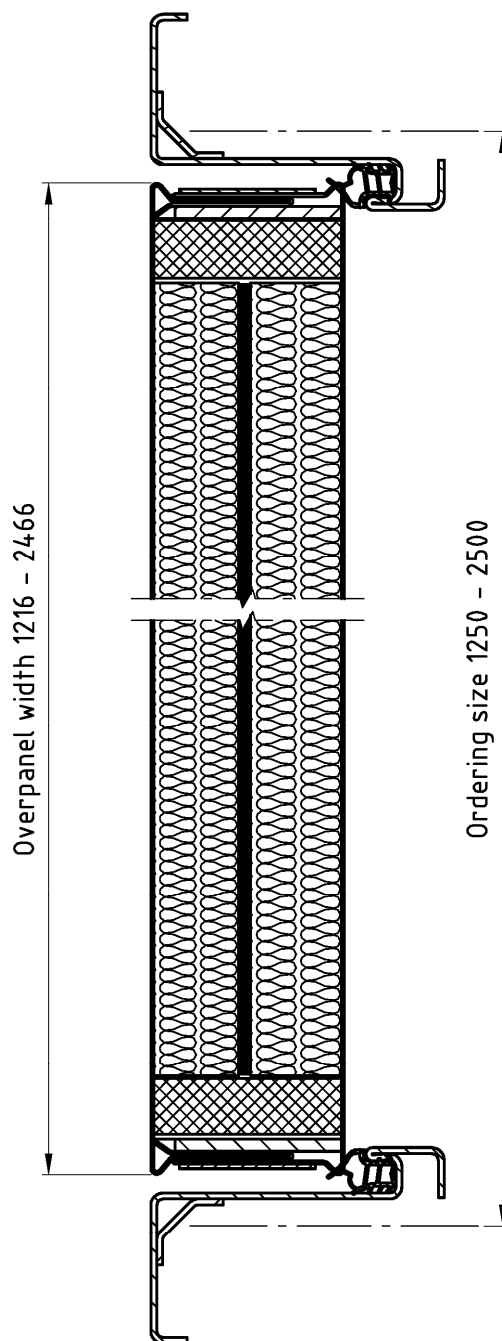


electronic copy of the eta by dibt: eta-18/0500

"NovoPorta Plano EI<sub>2</sub>-C5 S<sub>a</sub>" und "NovoPorta Plano EI<sub>2</sub>-C5 S<sub>200</sub>"

Construction – vertical section single and double leaf doorset

Annex 15

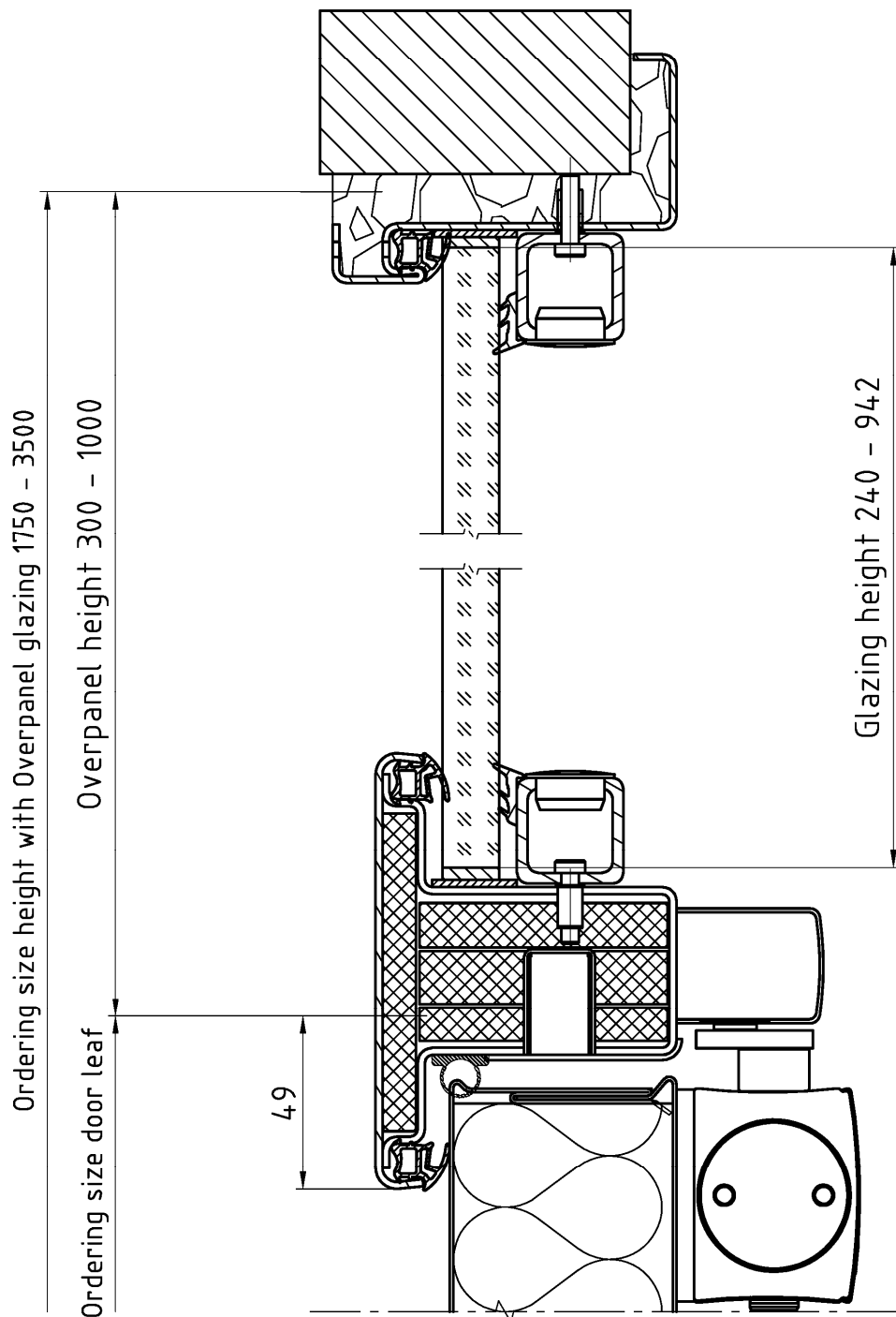


electronic copy of the eta by dibt: eta-18/0500

"NovoPorta Plano EI<sub>2</sub>-C5 S<sub>a</sub>" und "NovoPorta Plano EI<sub>2</sub>-C5 S<sub>200</sub>"

Construction – horizontal section overpanel – double leaf doorset

Annex 16

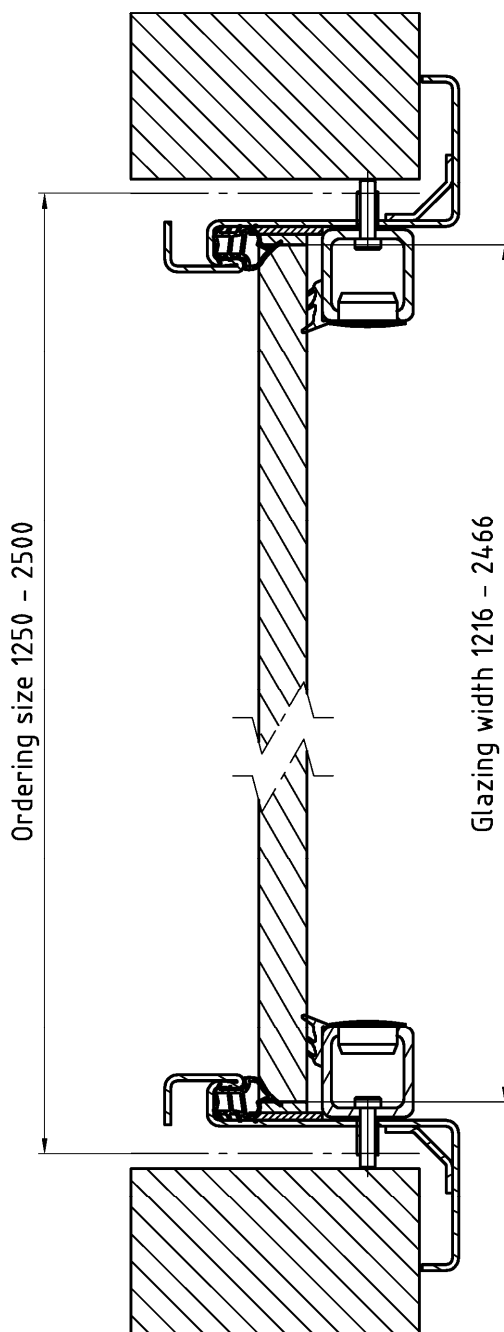


electronic copy of the eta by dibt: eta-18/0500

"NovoPorta Plano EI<sub>2</sub>-C5 S<sub>a</sub>" und "NovoPorta Plano EI<sub>2</sub>-C5 S<sub>200</sub>"

Construction – vertical section overpanel – single and double leaf doorset

Annex 17



electronic copy of the eta by dibt: eta-18/0500

"NovoPorta Plano EI<sub>2</sub>-C5 S<sub>a</sub>" und "NovoPorta Plano EI<sub>2</sub>-C5 S<sub>200</sub>"

Construction – horizontal section overpanel – double leaf doorset

Annex 18