

Approval body for construction products  
and types of construction

Bautechnisches Prüfamt

An institution established by the Federal and  
Laender Governments



## European Technical Assessment

**ETA-19/0216**  
**of 10 December 2019**

English translation prepared by DIBt - Original version in German language

### General Part

Technical Assessment Body issuing the  
European Technical Assessment:

Deutsches Institut für Bautechnik

Trade name of the construction product

UIP uplug Universal façade anchor UFD-VI

Product family  
to which the construction product belongs

Plastic anchor for redundant non-structural systems in  
concrete and masonry

Manufacturer

UIP Verbindungstechnik GmbH  
Kapellenstraße 47  
65830 Kriftel  
DEUTSCHLAND

Manufacturing plant

UIP manufacturing plant 1

This European Technical Assessment  
contains

22 pages including 3 annexes which form an integral part  
of this assessment

This European Technical Assessment is  
issued in accordance with Regulation (EU)  
No 305/2011, on the basis of

ETAG 020, March 2012,  
used as EAD according to Article 66 Paragraph 3 of  
Regulation (EU) No 305/2011.

The European Technical Assessment is issued by the Technical Assessment Body in its official language. Translations of this European Technical Assessment in other languages shall fully correspond to the original issued document and shall be identified as such.

Communication of this European Technical Assessment, including transmission by electronic means, shall be in full. However, partial reproduction may only be made with the written consent of the issuing Technical Assessment Body. Any partial reproduction shall be identified as such.

This European Technical Assessment may be withdrawn by the issuing Technical Assessment Body, in particular pursuant to information by the Commission in accordance with Article 25(3) of Regulation (EU) No 305/2011.

## Specific Part

### 1 Technical description of the product

The frame anchor UFD-VI is a plastic anchor consisting of a plastic sleeve made of polyamide and an accompanying specific screw of galvanised steel or of stainless steel.

The plastic sleeve is expanded by screwing in the specific screw which presses the sleeve against the wall of the drilled hole.

The product description is given in Annex A.

### 2 Specification of the intended use in accordance with the applicable European Assessment Document

The performances given in Section 3 are only valid if the anchor is used in compliance with the specifications and conditions given in Annex B.

The verifications and assessment methods on which this European Technical Assessment is based lead to the assumption of a working life of the anchors of at least 50 years. The indications given on the working life cannot be interpreted as a guarantee given by the producer, but are to be regarded only as a means for choosing the right products in relation to the expected economically reasonable working life of the works.

### 3 Performance of the product and references to the methods used for its assessment

#### 3.1 Safety in case of fire (BWR 2)

Essential characteristic	Performance
Reaction to fire	Anchorage satisfy requirements for Class A 1
Resistance to fire	See Annex C 1

#### 3.2 Safety and accessibility in use (BWR 4)

Essential characteristic	Performance
Characteristic resistance for tension and shear loads	See Annexes C 1 – C 4, C 9
Characteristic resistance for bending moments	See Annex C 1
Displacements under shear and tension loads	See Annex C 5 – C 9
Anchor distances and dimensions of members	See Annex B 2 – B 5

### 4 Assessment and verification of constancy of performance (AVCP) system applied, with reference to its legal base

In accordance with guideline for European technical approval ETAG 020, March 2012 used as European Assessment Document (EAD) according to Article 66 Paragraph 3 of Regulation (EU) No 305/2011 the applicable European legal act is: 97/463/EC.

The system to be applied is: 2+

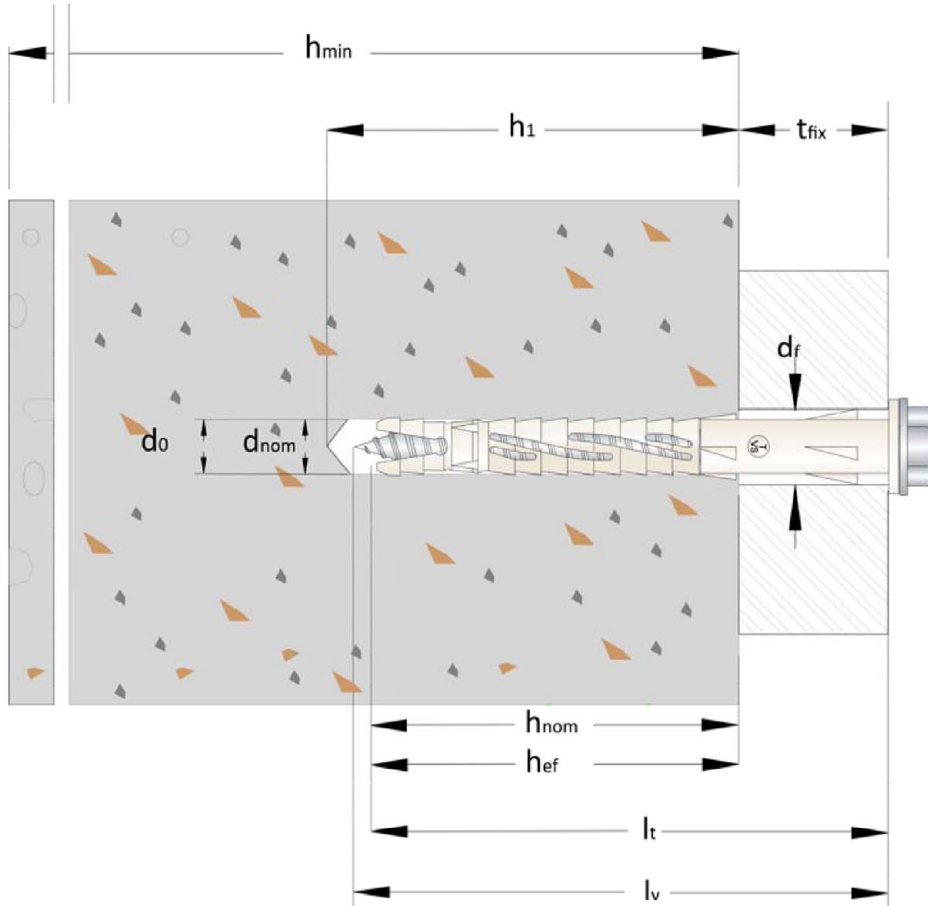
**5 Technical details necessary for the implementation of the AVCP system, as provided for in the applicable European Assessment Document**

Technical details necessary for the implementation of the AVCP system are laid down in the control plan deposited at Deutsches Institut für Bautechnik.

Issued in Berlin on 10 December 2019 by Deutsches Institut für Bautechnik

BD Dipl.-Ing. Andreas Kummerow  
Head of Department

*beglaubigt:*  
Ziegler



**Intended use:**

Fixing in concrete and different types of masonry.

**Legend:**

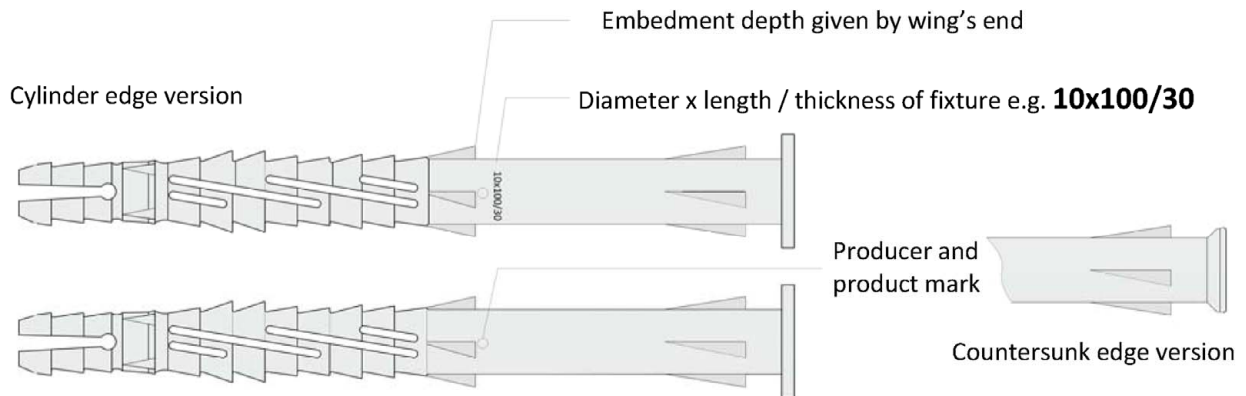
$h_{min}$ :	minimum thickness of concrete member
$h_{nom}$ :	minimum overall embedment depth
$h_{ef}$ :	minimum effective embedment depth
$d_{nom}$ :	anchor diameter
$l_t$ :	anchor length
$l_v$ :	screw length
$d_0$ :	drill hole diameter
$h_1$ :	minimum depth of drill hole
$t_{fix}$ :	maximum thickness of fixture
$d_f$ :	diameter of clearance hole in the fixture

**UIP uplug Universal façade anchor UFD-VI**

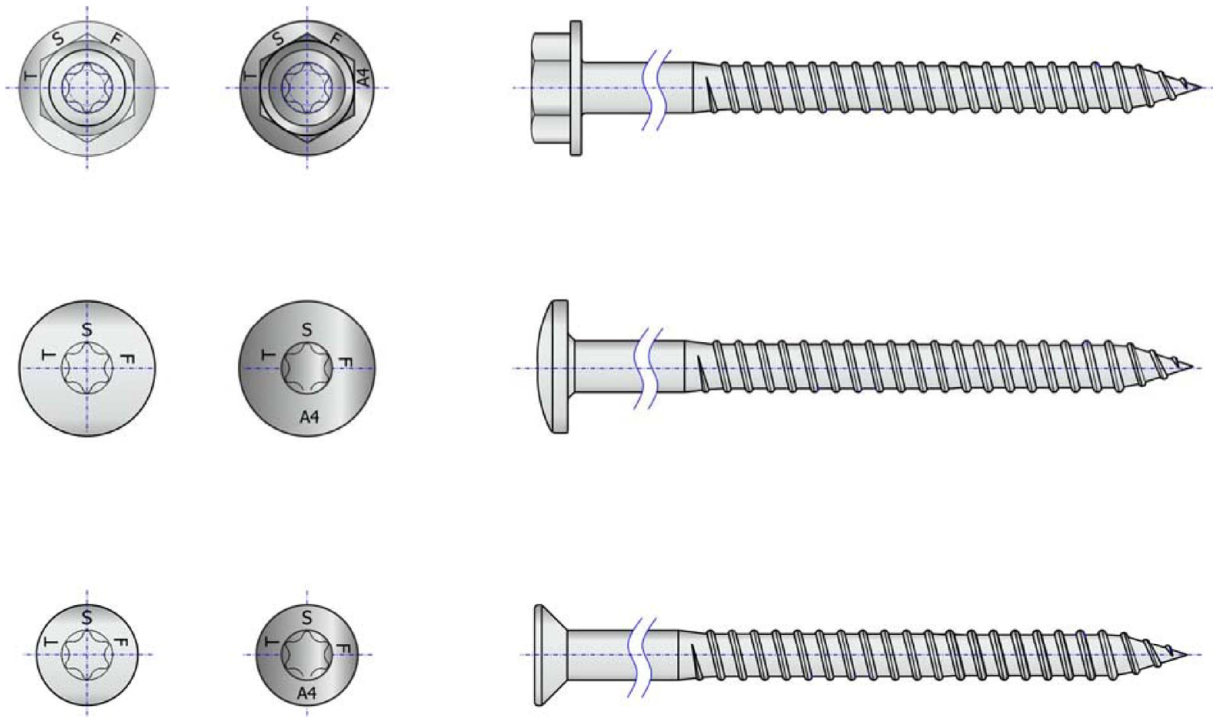
**Product description**  
Installed condition

**Annex A 1**

### Anchor sleeve



### Special screw (Carbon steel version and stainless steel A4 version)



**UIP uplug Universal façade anchor UFD-VI**

**Product description**  
Anchor types / specific screw – marking and dimensions

**Annex A 2**

**Table 1 : Dimensions**

Anchor type		UFD-VI Ø 8	UFD-VI Ø 10
Outside diameter of anchor	$d_{nom} = [mm]$	8	10
Length of the anchor	$l_t = [mm]$	≥80	
Screw diameter	$d_v = [mm]$	6	7
Screw length	$l_v = [mm]$	≥85	≥85

**Table 2 : Materials**

<b>Anchor sleeve</b>	Polyamide, PA 6, light grey color
<b>Carbon steel screw</b>	Carbon Steel grade 5.8, gvz min 5 µm acc. to ISO 2081:2008
<b>Stainless steel screw</b>	SS A4/70 (AISI 316) acc. to ISO 3506-1:2009 and EN 10088-3:2014

**UIP uplug Universal façade anchor UFD-VI**

**Product description**  
Dimensions and materials

**Annex A 3**

### Specifications of intended use

**Anchorage subject to:**

- Static and quasi-static loads:
- Multiple fixing of non-structural applications

**Base materials:**

- Reinforced or unreinforced normal weight concrete  $\geq$  C16/20 (use category a), according to EN 206-1:2000, Annex C1.
- Solid brick masonry (use category b), according to Annex C2.  
Note: The characteristic resistance is also valid for larger brick sizes and larger compressive strength of the masonry unit.
- Hollow brick masonry (use category c), according to Annexes C3 and C4.
- Autoclaved aerated concrete (use category d), according to Annex C9
- Mortar strength class of the masonry  $\geq$  M2,5 at minimum according to EN 998-2:2010.
- For other base materials of the use categories a, b, c and d the characteristic resistance of the anchor may be determined by job site tests according to ETAG 020, Annex B edition March 2012.

**Temperature Range:**

- a: - 40 °C to 40 °C (max. short term temperature + 40 °C and max long term temperature + 24 °C)
- b: - 40 °C to 80 °C (max. short term temperature + 80 °C and max long term temperature + 50 °C)

**Use conditions (Environmental conditions):**

- Structures subject to dry internal conditions (zinc coated steel, stainless steel).
- The specific screw made of galvanized steel may also be used in structures subject to external atmospheric exposure, if the area of the head of the screw is protected against moisture and driving rain after mounting of the fixing unit in this way, that intrusion of moisture into the anchor shaft is prevented. Therefore there shall be an external cladding or a ventilated rainscreen mounted in front of the head of the screw and the head of the screw itself shall be coated with a soft plastic, permanently elastic bitumen-oil-combination coating (e. g. undercoating or body cavity protection for cars).
- Structures subject to external atmospheric exposure (including industrial and marine environment) and to permanently damp internal condition, if no particular aggressive conditions exist (stainless steel).

Note: Particular aggressive conditions are e.g. permanent, alternating immersion in seawater or the splash zone of seawater, chloride atmosphere of indoor swimming pools or atmosphere with extreme chemical pollution (e.g. in desulphurization plants or road tunnels where de-icing materials are used).

**Design:**

- The anchorages are designed in accordance with ETAG 020, Annex C edition March 2012 under the responsibility of an engineer experienced in anchorages and masonry work.
- Verifiable calculation notes and drawings shall be prepared taking account of the loads to be anchored, the nature and strength of the base materials and the dimensions of the anchorage members as well as of the relevant tolerances. The position of the anchor is indicated on the design drawings.
- Fasteners are only to be used for multiple use for non-structural application, according to ETAG 020 edition March 2012.

**Installation:**

- Hole drilling by the drill modes according to Annex C1, C2, C3, C4, C9.
- Anchor installation carried out by appropriately qualified personnel and under the supervision of the person responsible for technical matters of the site
- Installation temperature  $\geq$  0°C
- Exposure to UV due to solar radiation of the anchor not protected  $\leq$  6 weeks

**UIP uplug Universal façade anchor UFD-VI**

**Intended use**  
Specifications

**Annex B 1**



**Table 3 : Installation parameters**

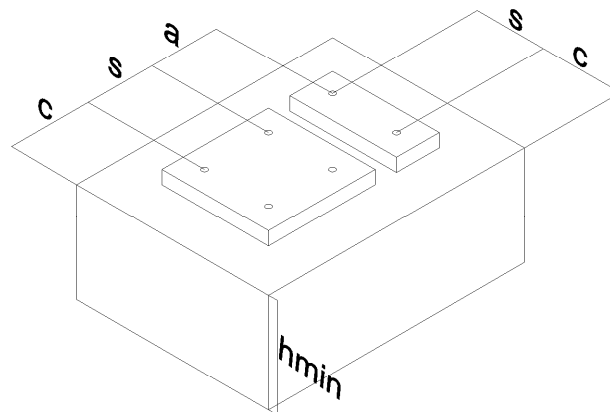
Parameter / Size		UFD-VI Ø 8	UFD-VI Ø 10
Nominal drill hole diameter	$d_o$ [mm]	8	10
Cutting diameter of drill bit	$d_{cut} \leq$ [mm]	8.45	10.45
Depth of drill hole	$h_1 =$ [mm]	90	90
Effective anchorage depth	$h_{ef} =$ [mm]	70	70
Diameter of clearance hole in the fixture	$d_f =$ [mm]	9	11
Thickness of fixture	$t_{fix} =$ [mm]	$\geq 10$	
Hexalobular socket number (ISO 10664)	T [-]	30	40
Wrench size (for hexagonal head only)	SW = [mm]	10	13

**Table 4 : Minimum thickness of the member, edge distance and spacing in concrete**

Parameter / Size		UFD-VI Ø 8	UFD-VI Ø 10
Concrete class		$\geq 16/20$	
Minimum thickness of the member	$h_{min}$ [mm]	140	
Characteristic edge distance	$c_{cr,N}^{1)}$ [mm]	105	105
Characteristic spacing	$s_{cr,N}^{1)}$ [mm]	75	90
Minimum allowable spacing and edge distance <sup>1)</sup>	$s_{min}$ [mm]	90	100
	$c_{min}$ [mm]	90	100

<sup>1)</sup> Intermediate value by linear interpolation

**Scheme of edge distance and spacing in concrete and masonry**



Fixing points with a spacing  $a \leq s_{cr,N}$  are considered as a group with a maximum characteristic resistance  $N_{Rk,p}$  acc. to Table 17 – Table 27. For a spacing  $a > s_{cr,N}$  the anchors are considered as single anchors, each with a characteristic resistance  $N_{Rk,p}$  acc. to Table 17 – Table 27.

**UIP uplug Universal façade anchor UFD-VI**

**Intended use**

Installation parameters, edge distances and spacing for use in concrete

**Annex B 2**

**Table 5 : Minimum distances and dimensions in solid masonry – Type “A”**

Minimum thickness of the member	$h_{\min}$ [mm]	110
<b>Single anchor</b>		
Minimum edge distance	$c_{\min}$ [mm]	120
<b>Anchor Group</b>		
Spacing perpendicular to free edge	$S_{1,\min}$ [mm]	240
Spacing parallel to free edge	$S_{2,\min}$ [mm]	480
Minimum edge distance	$c_{\min}$ [mm]	120

**Table 6 : Minimum distances and dimensions in solid masonry – Type “B”**

Minimum thickness of the member	$h_{\min}$ [mm]	120
<b>Single anchor</b>		
Minimum edge distance	$c_{\min}$ [mm]	125
<b>Anchor Group</b>		
Spacing perpendicular to free edge	$S_{1,\min}$ [mm]	250
Spacing parallel to free edge	$S_{2,\min}$ [mm]	500
Minimum edge distance	$c_{\min}$ [mm]	125

**Table 7 : Minimum distances and dimensions in solid masonry – Type “E”**

Minimum thickness of the member	$h_{\min}$ [mm]	370
<b>Single anchor</b>		
Minimum edge distance	$c_{\min}$ [mm]	185
<b>Anchor Group</b>		
Spacing perpendicular to free edge	$S_{1,\min}$ [mm]	370
Spacing parallel to free edge	$S_{2,\min}$ [mm]	740
Minimum edge distance	$c_{\min}$ [mm]	185

**Table 8 : Minimum distances and dimensions in solid masonry – Type “F”**

Minimum thickness of the member	$h_{\min}$ [mm]	240
<b>Single anchor</b>		
Minimum edge distance	$c_{\min}$ [mm]	120
<b>Anchor Group</b>		
Spacing perpendicular to free edge	$S_{1,\min}$ [mm]	240
Spacing parallel to free edge	$S_{2,\min}$ [mm]	480
Minimum edge distance	$c_{\min}$ [mm]	120

**UIP uplug Universal façade anchor UFD-VI**

**Intended use**

Edge distances and spacing for use in solid masonry

**Annex B 3**

**Table 9 : Minimum distances and dimensions in hollow masonry – Type “C”**

Minimum thickness of the member	$h_{\min}$ [mm]	120
<b>Single anchor</b>		
Minimum edge distance	$c_{\min}$ [mm]	125
<b>Anchor Group</b>		
Spacing perpendicular to free edge	$S_{1,\min}$ [mm]	250
Spacing parallel to free edge	$S_{2,\min}$ [mm]	500
Minimum edge distance	$c_{\min}$ [mm]	125

**Table 10 : Minimum distances and dimensions in hollow masonry – Type “D”**

Minimum thickness of the member	$h_{\min}$ [mm]	120
<b>Single anchor</b>		
Minimum edge distance	$c_{\min}$ [mm]	125
<b>Anchor Group</b>		
Spacing perpendicular to free edge	$S_{1,\min}$ [mm]	250
Spacing parallel to free edge	$S_{2,\min}$ [mm]	500
Minimum edge distance	$c_{\min}$ [mm]	75

**Table 11 : Minimum distances and dimensions in hollow masonry – Type “G”**

Minimum thickness of the member	$h_{\min}$ [mm]	240
<b>Single anchor</b>		
Minimum edge distance	$c_{\min}$ [mm]	120
<b>Anchor Group</b>		
Spacing perpendicular to free edge	$S_{1,\min}$ [mm]	240
Spacing parallel to free edge	$S_{2,\min}$ [mm]	480
Minimum edge distance	$c_{\min}$ [mm]	120

**Table 12 : Minimum distances and dimensions in hollow masonry – Type “H”**

Minimum thickness of the member	$h_{\min}$ [mm]	115
<b>Single anchor</b>		
Minimum edge distance	$c_{\min}$ [mm]	120
<b>Anchor Group</b>		
Spacing perpendicular to free edge	$S_{1,\min}$ [mm]	240
Spacing parallel to free edge	$S_{2,\min}$ [mm]	480
Minimum edge distance	$c_{\min}$ [mm]	120

**UIP uplug Universal façade anchor UFD-VI**

**Intended use**

Edge distances and spacing for use in hollow masonry

**Annex B 4**

**Table 13 : Minimum distances and dimensions in hollow masonry – Type “I”**

Minimum thickness of the member	$h_{\min}$ [mm]	175
<b>Single anchor</b>		
Minimum edge distance	$c_{\min}$ [mm]	120
<b>Anchor Group</b>		
Spacing perpendicular to free edge	$S_{1,\min}$ [mm]	240
Spacing parallel to free edge	$S_{2,\min}$ [mm]	480
Minimum edge distance	$c_{\min}$ [mm]	120

**Table 14 : Minimum distances and dimensions in AAC**

Minimum thickness of the member	$h_{\min}$ [mm]	240
<b>Single anchor</b>		
Minimum edge distance	$c_{\min}$ [mm]	120
<b>Anchor Group</b>		
Spacing perpendicular to free edge	$S_{1,\min}$ [mm]	240
Spacing parallel to free edge	$S_{2,\min}$ [mm]	480
Minimum edge distance	$c_{\min}$ [mm]	120

**UIP uplug Universal façade anchor UFD-VI**

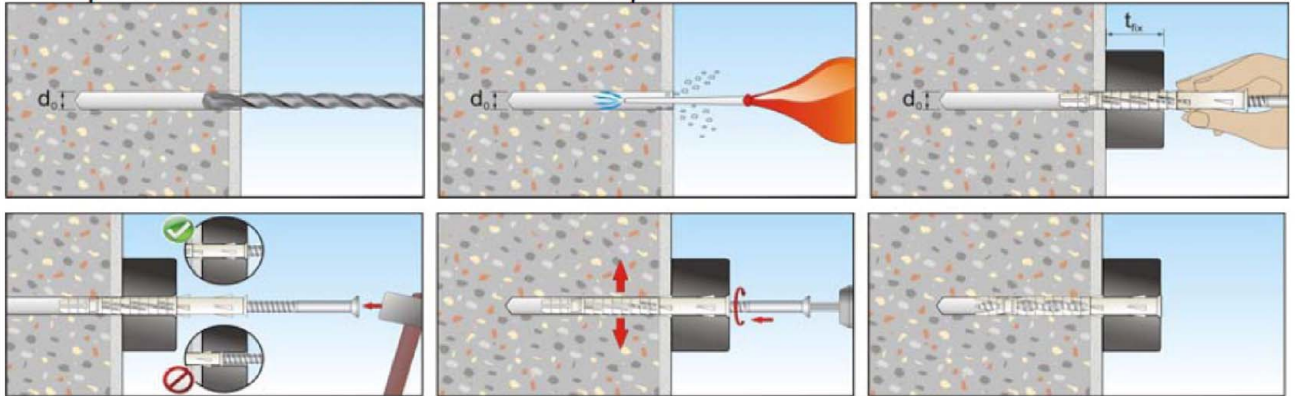
**Intended use**

Edge distances and spacing for use in hollow masonry and AAC

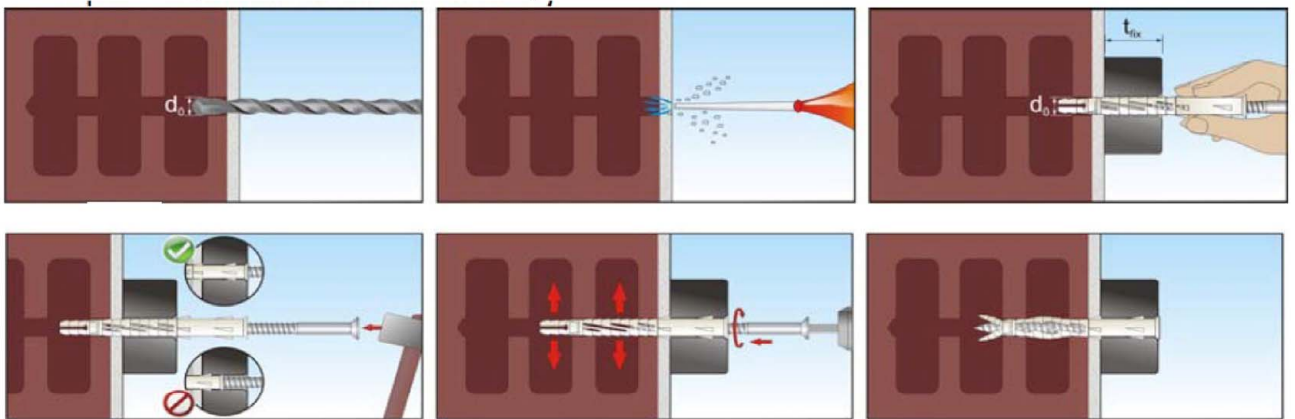
**Annex B 5**

### Setting instructions

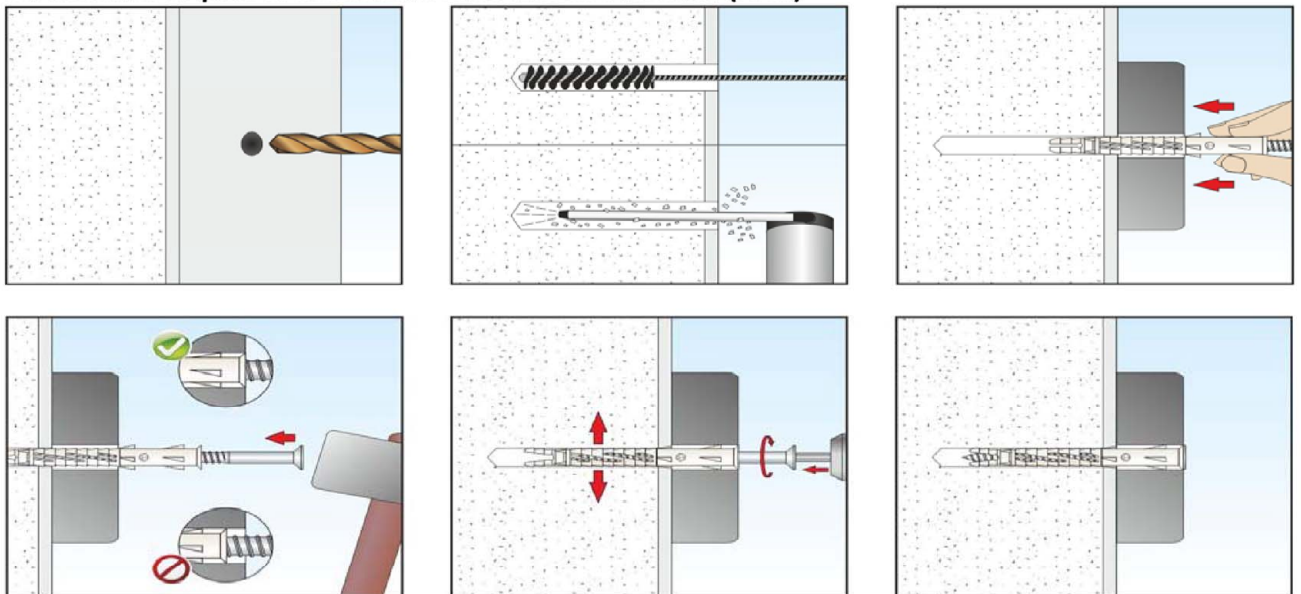
#### Installation sequence in concrete and solid masonry



#### Installation sequence in Hollow Masonry



#### Installation sequence in Aerated Autoclaved Concrete (AAC)



UIP uplug Universal façade anchor UFD-VI

Annex B 6

Intended use  
Setting instructions

**Table 15 : Characteristic bending resistance of the screw**

Parameter / Size			UFD-VI Ø 8		UFD-VI Ø 10	
			Galvanized steel	Stainless steel	Galvanized steel	Stainless steel
Characteristic bending resistance	$M_{Rk,s}$	[Nm]	12,1	16,9	19,3	27,1
Partial safety factor	$\gamma_{Ms}$	-	1,25			

**Table 16 : Characteristic resistance of the screw**

Parameter / Size			UFD-VI Ø 8		UFD-VI Ø 10	
			Galvanized steel	Stainless steel	Galvanized steel	Stainless steel
Characteristic tension resistance	$N_{Rk,s}$	[kN]	11,3	15,8	15,4	21,6
Partial safety factor	$\gamma_{Ms}$	-	1,5			
Characteristic shear resistance	$V_{Rk,s}$	[kN]	5,6	7,9	7,7	10,8
Partial safety factor	$\gamma_{Ms}$	-	1,25			

**Table 17 : Characteristic resistance for use in concrete<sup>1)</sup>**

Plastic sleeve pull-out failure			UFD-VI Ø 8		UFD-VI Ø 10	
Temperature range			24/40 °C	50/80 °C	24/40 °C	50/80 °C
Characteristic tension resistance	$N_{Rk,p}$	[kN]	3,5	3,0	4,5	4,0
Partial safety factor	$\gamma_{Mc}$ <sup>2)</sup>	[-]	1,8			

<sup>1)</sup> Concrete strength  $f_{ck} \geq 16 \text{ N/mm}^2$  (strength class C16/20 acc. to EN 206-1:2000)  
Drill method: hammer drilling

<sup>2)</sup> In absence of other national regulations

**Table 18 : Characteristic resistance under fire exposure in concrete<sup>1)</sup> in any load direction, no permanent centric tension load and without lever arm, fastening of façade systems**

Anchor type	Fire resistance class	$F_{Rk}$ [kN]
UFD-VI Ø 10	R 90	0,8

<sup>1)</sup> Concrete strength  $f_{ck} \geq 16 \text{ N/mm}^2$  (strength class C16/20 acc. to EN 206-1:2000)  
Drill method: hammer drilling

UIP uplug Universal façade anchor UFD-VI

**Performances**

Characteristic resistance of the screw, characteristic resistance for use in concrete

**Annex C 1**

**Table 19 : Characteristic resistance – Solid masonry type “A” (use category “b”)**

Base material	Drill method	Bulk density class $\rho$	Minimum compressive strength $f_b$	UFD-VI $\varnothing 8$ $F_{Rk}$	UFD-VI $\varnothing 10$ $F_{Rk}$
description	-	[kg/dm <sup>3</sup> ]	[N/mm <sup>2</sup> ]	[kN]	[kN]
<b>Solid clay brick acc. to EN 771-1:2011 Mattone pieno 110x60x240 “Danesi”</b>	Rotary + hammer	1,7	39,0	3,0	2,0

**Table 20 : Characteristic resistance – Solid masonry type “B” (use category “b”)**

Base material	Drill method	Bulk density class $\rho$	Minimum compressive strength $f_b$	UFD-VI $\varnothing 8$ $F_{Rk}$	UFD-VI $\varnothing 10$ $F_{Rk}$
description	-	[kg/dm <sup>3</sup> ]	[N/mm <sup>2</sup> ]	[kN]	[kN]
<b>Solid clay brick acc. to EN 771-1:2011 Mattone pieno 250x120x55 “Terreal Italia”</b>	Rotary + hammer	1,7	27,0	4,0	5,0

**Table 21 : Characteristic resistance – Solid masonry type “E” (use category “b”)**

Base material	Drill method	Bulk density class $\rho$	Minimum compressive strength $f_b$	UFD-VI $\varnothing 8$ $F_{Rk}$	UFD-VI $\varnothing 10$ $F_{Rk}$
description	-	[kg/dm <sup>3</sup> ]	[N/mm <sup>2</sup> ]	[kN]	[kN]
<b>Vulcanic tuff brick, acc. to EN 771-3:2011 Fior di tufo 370x370x110 “Cave riunite”</b>	Rotary + hammer	2,4	7,5	-	0,3

**Table 22 : Characteristic resistance – Solid masonry type “F” (use category “b”)**

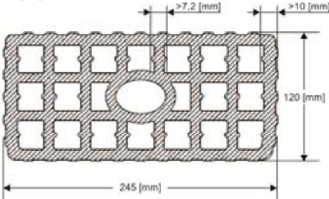
Base material	Drill method	Bulk density class $\rho$	Minimum compressive strength $f_b$	UFD-VI $\varnothing 8$ $F_{Rk}$	UFD-VI $\varnothing 10$ $F_{Rk}$
description	-	[kg/dm <sup>3</sup> ]	[N/mm <sup>2</sup> ]	[kN]	[kN]
<b>Calcium silicate solid brick, acc. EN 771-2:2011 Kalksandsteine KS-Plansteine KS-R(P)- 20-2,0-8DF (240) “Heidelberger- Kalksandstein”</b>	Rotary + hammer	1,9	28,2	5,5	6,0

**UIP uplug Universal façade anchor UFD-VI**

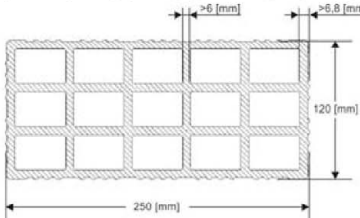
**Performances**  
Characteristic resistance for use in solid masonry

**Annex C 2**

**Table 23 : Characteristic resistance – masonry type “C” (use category “c”)**

Base material	Drill method	Bulk density class $\rho$	Minimum compressive strength $f_b$	UFD-VI $\varnothing 8$ $F_{Rk}$	UFD-VI $\varnothing 10$ $F_{Rk}$
description	-	[kg/dm <sup>3</sup> ]	[N/mm <sup>2</sup> ]	[kN]	[kN]
<b>Perforated clay brick, acc. EN 771-1:2011</b> <b>Doppio doppio UNI 120x245x250 “Danesi”</b> 	Rotary	0.9	13.0	-	0,3

**Table 24 : Characteristic resistance - masonry type “D” (use category “c”)**

Base material	Drill method	Bulk density class $\rho$	Minimum compressive strength $f_b$	UFD-VI $\varnothing 8$ $F_{Rk}$	UFD-VI $\varnothing 10$ $F_{Rk}$
description	-	[kg/dm <sup>3</sup> ]	[N/mm <sup>2</sup> ]	[kN]	[kN]
<b>Perforated clay brick, acc. EN 771-1:2011</b> <b>Forati 120x250x250 “Wienerberger”</b> 	Rotary	0.6	2.0	0,3	-

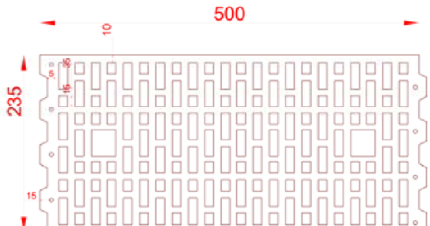
**UIP uplug Universal façade anchor UFD-VI**

**Performances**  
Characteristic resistance for use in hollow or perforated masonry

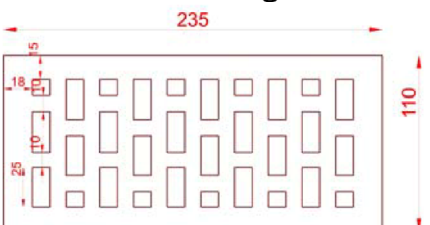
**Annex C 3**



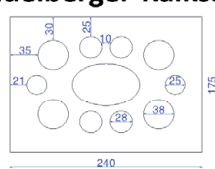
**Table 25 : Characteristic resistance - masonry type "G" (use category "c")**

Base material	Drill method	Bulk density class $\rho$	Minimum compressive strength $f_b$	UFD-VI $\varnothing 8$ $F_{Rk}$	UFD-VI $\varnothing 10$ $F_{Rk}$
description	-	[kg/dm <sup>3</sup> ]	[N/mm <sup>2</sup> ]	[kN]	[kN]
<b>Perforated clay brick, acc. EN 771-1:2011</b> <b>Poroton-Hochlochziegel-Block-T-24,0-0,9 L</b> <b>"Wienerberger"</b> 	Rotary	0,9	7,0	0,9	0,9

**Table 26 : Characteristic resistance - masonry type "H" (use category "c")**

Base material	Drill method	Bulk density class $\rho$	Minimum compressive strength $f_b$	UFD-VI $\varnothing 8$ $F_{Rk}$	UFD-VI $\varnothing 10$ $F_{Rk}$
description	-	[kg/dm <sup>3</sup> ]	[N/mm <sup>2</sup> ]	[kN]	[kN]
<b>Perforated clay brick, acc. EN 771-1:2011</b> <b>Poroton-Kleinformat HlzB- 2DF -0,9</b> <b>"Wienerberger"</b> 	Rotary	0,9	16,4	0,9	0,9

**Table 27 : Characteristic resistance - masonry type "I" (use category "c")**

Base material	Drill method	Bulk density class $\rho$	Minimum compressive strength $f_b$	UFD-VI $\varnothing 8$ $F_{Rk}$	UFD-VI $\varnothing 10$ $F_{Rk}$
description	-	[kg/dm <sup>3</sup> ]	[N/mm <sup>2</sup> ]	[kN]	[kN]
<b>Hollow calcium silicate brick acc. EN 771-2:2011 "Heidelberger-Kalksandstein" KS-L</b> 	Rotary	1,5	16,3	5,0	5,5

**UIP uplug Universal façade anchor UFD-VI**

**Performances**

Characteristic resistance for use in hollow or perforated masonry

**Annex C 4**

**Table 28 : Displacements under tension load in concrete**

Parameter / Size			UFD-VI Ø 8	UFD-VI Ø 10
Service tension load concrete	N	[kN]	1,2	1,6
Displacements	$\delta_{N0}$	[mm]	0,24	0,29
	$\delta_{N\infty}$	[mm]	0,48	0,58

**Table 29 : Displacements under shear load in concrete**

Parameter / Size			UFD-VI Ø 8	UFD-VI Ø 10
Service shear load in concrete	V	[kN]	3,2	4,4
Displacements	$\delta_{V0}$	[mm]	2,00	1,67
	$\delta_{V\infty}$	[mm]	3,00	2,50

**Table 30 : Displacements under tension load in solid masonry – type “A”**

Parameter / Size			UFD-VI Ø 8	UFD-VI Ø 10
Service tension load in solid masonry	N	[kN]	0,9	0,6
Displacements	$\delta_{N0}$	[mm]	0,04	0,06
	$\delta_{N\infty}$	[mm]	0,08	0,12

**Table 31 : Displacements under tension load in solid masonry – type “B”**

Parameter / Size			UFD-VI Ø 8	UFD-VI Ø 10
Service tension load in solid masonry	N	[kN]	1,1	1,4
Displacements	$\delta_{N0}$	[mm]	0,25	0,67
	$\delta_{N\infty}$	[mm]	0,50	1,34

**UIP uplug Universal façade anchor UFD-VI**

**Performances**  
Displacements in concrete and solid masonry

**Annex C 5**

**Table 32 : Displacements under tension load in solid masonry – type “E”**

Parameter / Size			UFD-VI Ø 8
Service tension load in solid masonry	N	[kN]	0,09
Displacements	$\delta_{N0}$	[mm]	0,01
	$\delta_{N\infty}$	[mm]	0,02

**Table 33 : Displacements under tension load in solid masonry – type “F”**

Parameter / Size			UFD-VI Ø 8	UFD-VI Ø 10
Service tension load in solid masonry	N	[kN]	1,57	1,71
Displacements	$\delta_{N0}$	[mm]	0,14	0,07
	$\delta_{N\infty}$	[mm]	0,29	0,15

**Table 34 : Displacements under shear load in solid masonry type “A”, “B” and “E”**

Parameter / Size			UFD-VI Ø 8	UFD-VI Ø 10
Service shear load in solid masonry	V	[kN]	3,2	4,4
Displacements	$\delta_{V0}$	[mm]	2,67	3,67
	$\delta_{V\infty}$	[mm]	4,00	5,50

**Table 35 : Displacements under shear load in solid masonry type “F”**

Parameter / Size			UFD-VI Ø 8	UFD-VI Ø 10
Service shear load in solid masonry	V	[kN]	1,57	1,71
Displacements	$\delta_{V0}$	[mm]	1,31	1,43
	$\delta_{V\infty}$	[mm]	1,96	2,14

UIP uplug Universal façade anchor UFD-VI

Performances  
Displacements in solid masonry

Annex C 6

**Table 36 : Displacements under tension load in hollow masonry – type “C”**

Parameter / Size			UFD-VI Ø 10
Service tension load in hollow masonry	N	[kN]	0,09
Displacements	$\delta_{N0}$	[mm]	0,12
	$\delta_{N\infty}$	[mm]	0,24

**Table 37 : Displacements under tension load in hollow masonry – type “D”**

Parameter / Size			UFD-VI Ø 8
Service tension load in hollow masonry	N	[kN]	0,09
Displacements	$\delta_{N0}$	[mm]	0,03
	$\delta_{N\infty}$	[mm]	0,06

**Table 38 : Displacements under tension load in hollow masonry – type “G”**

Parameter / Size			UFD-VI Ø 8	UFD-VI Ø 10
Service tension load in hollow masonry	N	[kN]	0,26	0,26
Displacements	$\delta_{N0}$	[mm]	0,01	0,01
	$\delta_{N\infty}$	[mm]	0,02	0,02

**Table 39 : Displacements under tension load in hollow masonry – type “H”**

Parameter / Size			UFD-VI Ø 8	UFD-VI Ø 10
Service tension load in hollow masonry	N	[kN]	0,26	0,26
Displacements	$\delta_{N0}$	[mm]	0,01	0,01
	$\delta_{N\infty}$	[mm]	0,02	0,02

**UIP uplug Universal façade anchor UFD-VI**

**Performances**  
Displacements in hollow masonry

**Annex C 7**

**Table 40 : Displacements under tension load in hollow masonry – type “I”**

Parameter / Size			UFD-VI Ø 8	UFD-VI Ø 10
Service tension load in hollow masonry	N	[kN]	1,43	1,57
Displacements	$\delta_{N0}$	[mm]	0,11	0,08
	$\delta_{N\infty}$	[mm]	0,21	0,17

**Table 41 : Displacements under shear load in hollow masonry type “C” and “D”**

Parameter / Size			UFD-VI Ø 8	UFD-VI Ø 10
Service shear load in hollow masonry	V	[kN]	3,2	4,4
Displacements	$\delta_{V0}$	[mm]	6,40	8,80
	$\delta_{V\infty}$	[mm]	9,60	13,20

**Table 42 : Displacements under shear load in hollow masonry type “G” and “H”**

Parameter / Size			UFD-VI Ø 8	UFD-VI Ø 10
Service shear load in hollow masonry	V	[kN]	0,26	0,26
Displacements	$\delta_{V0}$	[mm]	0,21	0,21
	$\delta_{V\infty}$	[mm]	0,32	0,32

**Table 43 : Displacements under shear load in hollow masonry type “I”**

Parameter / Size			UFD-VI Ø 8	UFD-VI Ø 10
Service shear load in hollow masonry	V	[kN]	1,43	1,57
Displacements	$\delta_{V0}$	[mm]	1,19	1,31
	$\delta_{V\infty}$	[mm]	1,79	1,96

UIP uplug Universal façade anchor UFD-VI

**Performances**  
Displacements in hollow masonry

**Annex C 8**

**Table 44 : Characteristic resistance in autoclaved aerated concrete (use category “d”)**

Base material	Drill method	Bulk density class $\rho$	Minimum compressive strength $f_b$	UFD-VI $\varnothing 8$ $F_{Rk}$	UFD-VI $\varnothing 10$ $F_{Rk}$
description	-	[kg/dm <sup>3</sup> ]	[N/mm <sup>2</sup> ]	[kN]	[kN]
Non-cracked aerated autoclaved concrete (AAC Blocks) EN 771-4: 2011	Rotary only	0,5	3,5	0,5	0,6

**Table 45 : Displacements under tension load in autoclaved aerated concrete**

Parameter / Size			UFD-VI $\varnothing 8$	UFD-VI $\varnothing 10$
Service tension load	N	[kN]	0,18	0,21
Displacements	$\delta_{N0}$	[mm]	0,01	0,01
	$\delta_{N\infty}$	[mm]	0,02	0,02

**Table 46 : Displacements under shear load in autoclaved aerated concrete**

Parameter / Size			UFD-VI $\varnothing 8$	UFD-VI $\varnothing 10$
Service shear load	V	[kN]	0,18	0,21
Displacements	$\delta_{V0}$	[mm]	0,36	0,43
	$\delta_{V\infty}$	[mm]	0,54	0,64

**UIP uplug Universal façade anchor UFD-VI**

**Performances**

Characteristic resistance and displacements for use in autoclaved aerated concrete

**Annex C 9**