

Approval body for construction products
and types of construction

Bautechnisches Prüfamt

An institution established by the Federal and
Laender Governments



European Technical Assessment

ETA-13/0371
of 15 December 2020

English translation prepared by DIBt - Original version in German language

General Part

Technical Assessment Body issuing the
European Technical Assessment:

Deutsches Institut für Bautechnik

Trade name of the construction product

CELO Drop-in anchor SA plus

Product family
to which the construction product belongs

Fasteners for use in concrete for
redundant non-structural systems

Manufacturer

CELO Befestigungssysteme GmbH
Industriestraße 6
86551 Aichach
DEUTSCHLAND

Manufacturing plant

Plant 8
Plant 13

This European Technical Assessment
contains

13 pages including 3 annexes which form an integral part
of this assessment

This European Technical Assessment is
issued in accordance with Regulation (EU)
No 305/2011, on the basis of

EAD 330747-00-0601, Edition 06/2018

This version replaces

ETA-13/0371 issued on 2 October 2018

The European Technical Assessment is issued by the Technical Assessment Body in its official language. Translations of this European Technical Assessment in other languages shall fully correspond to the original issued document and shall be identified as such.

Communication of this European Technical Assessment, including transmission by electronic means, shall be in full. However, partial reproduction may only be made with the written consent of the issuing Technical Assessment Body. Any partial reproduction shall be identified as such.

This European Technical Assessment may be withdrawn by the issuing Technical Assessment Body, in particular pursuant to information by the Commission in accordance with Article 25(3) of Regulation (EU) No 305/2011.

Specific Part

1 Technical description of the product

The CELO Drop-In Anchor SA plus in sizes M6, M8, M8-25, M10 and M10-25 is an anchor made of zinc-plated steel which is placed into a drilled hole and anchored by deformation-controlled expansion.

The product description is given in Annex A.

2 Specification of the intended use in accordance with the applicable European Assessment Document

The performances given in Section 3 are only valid if the anchor is used in compliance with the specifications and conditions given in Annex B.

The verifications and assessment methods on which this European Technical Assessment is based lead to the assumption of a working life of the anchor of at least 50 years. The indications given on the working life cannot be interpreted as a guarantee given by the producer, but are to be regarded only as a means for choosing the right products in relation to the expected economically reasonable working life of the works.

3 Performance of the product and references to the methods used for its assessment

3.1 Safety in case of fire (BWR 2)

Essential characteristic	Performance
Reaction to fire	Class A1
Resistance to fire	See Annex C 2

3.2 Safety and accessibility in use (BWR 4)

Essential characteristic	Performance
Characteristic resistance for all load directions and modes of failure for simplified design	See Annex C 1
Durability	See Annex B 1

English translation prepared by DIBt

4 Assessment and verification of constancy of performance (AVCP) system applied, with reference to its legal base

In accordance with European Assessment Document EAD No. 330747-00-0601, the applicable European legal act is: [97/161/EC].

The system to be applied is: 2+

5 Technical details necessary for the implementation of the AVCP system, as provided for the applicable European Assessment Document

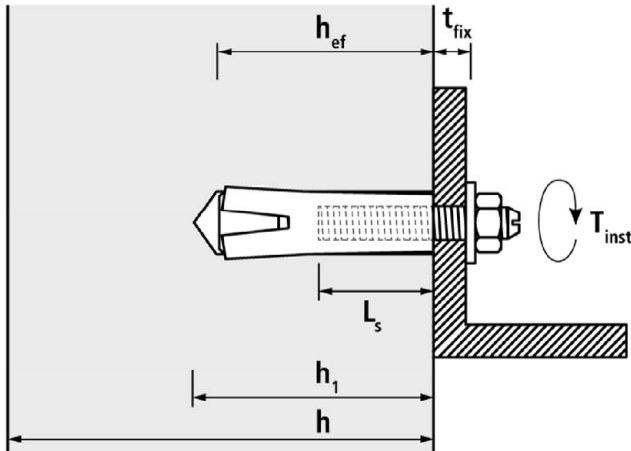
Technical details necessary for the implementation of the AVCP system are laid down in the control plan deposited with Deutsches Institut für Bautechnik.

Issued in Berlin on 15 December 2020 by Deutsches Institut für Bautechnik

Dipl.-Ing. Beatrix Wittstock
Head of Section

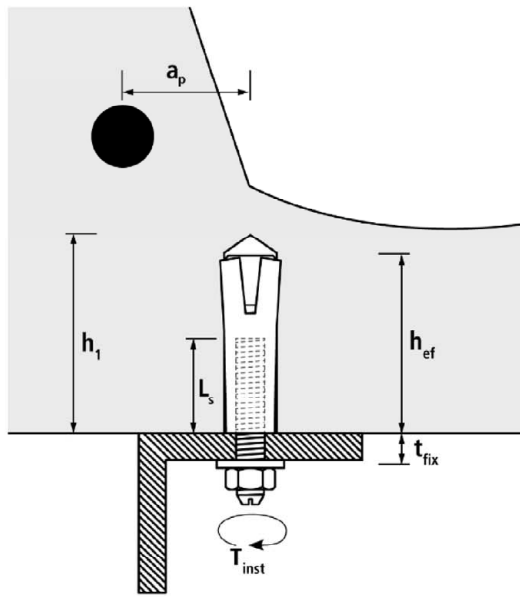
beglaubigt:
Baderschneider

SA plus - intended use in concrete C20/25 to C50/60

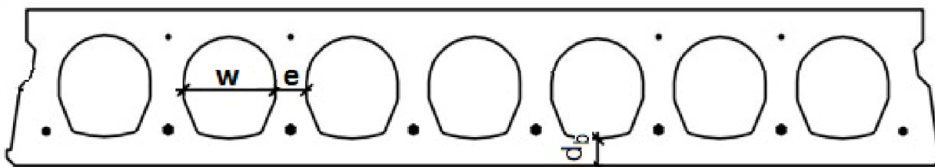


- h = thickness of member
- h_1 = depth of drill hole
- h_{ef} = effective embedment depth
- t_{fix} = thickness of fixture
- L_s = length of thread inside of the anchor
- T_{inst} = max. installation torque

**SA plus - intended use in precast prestressed hollow core slabs ($w/e \leq 4,2$)
with flange thickness ≥ 35 mm and concrete C45/55 to C50/60**



- h_1 = depth of drill hole
- h_{ef} = effective embedment depth
- t_{fix} = thickness of fixture
- L_s = length of thread inside of the anchor
- T_{inst} = max. installation torque
- a_p = distance between plug and reinforcement



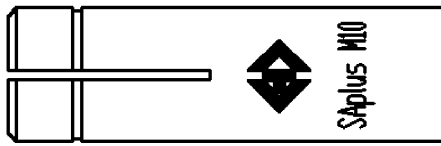
- w = core width
- e = web thickness
- d_b = bottom flange thickness

CELO Drop in anchor SA plus

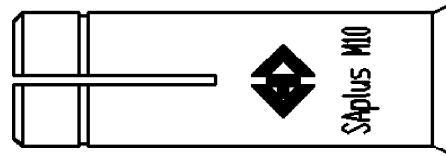
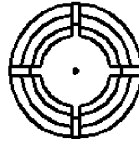
Product description
Installed condition

Annex A1

CELO Drop in anchor SA plus



SA plus without collar



SA plus with collar

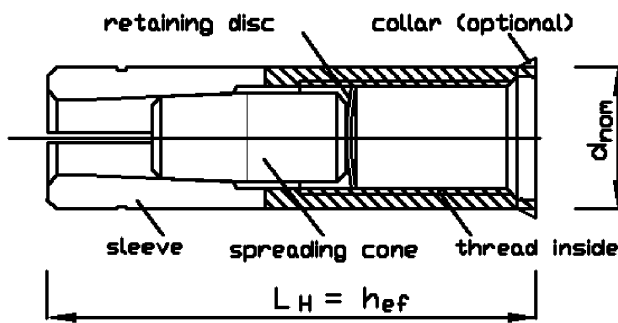
marking:

brand marking
type
size

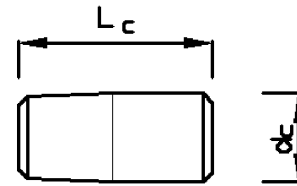
Logo or company name
SA plus
M ... (i.e. M10)

Example:

 SA plus M10



Sleeve plus cone



cone

Table A2: Dimensions

Anchor	Sleeve		Cone		
	thread inside	length	outer-Ø sleeve	length	outer-Ø cone
type		L_H	d_{nom}	L_c	d_c
SA plus		[mm]	[mm]	[mm]	[mm]
M 6	M6	25	8	10	4,5
M 8 - 25	M8	25	10	8,3	6,3
M 8	M8	30	10	12	6.0
M 10 - 25	M10	25	12	8,3	8,0
M 10	M10	40	12	16	7,5

CELO Drop in anchor SA plus

Product description
Parts, marking and dimensions

Annex A2

Table A3.1: Designation and materials

Designation	Material
sleeve M6 M8 M8-25 M10-25	steel for cold forming C1008-C1012 or EN 10277:2018
sleeve M10	steel for cold forming C1015 or EN 10277:2018
spreading cone	steel for cold forming C1006-C1008
retaining disc	paper or plastics

all parts zinc plated and blue passivated $\geq 5 \mu\text{m}$ acc. EN ISO 4042:2018

Table A3.2: Material strength of sleeve

CELO Drop in anchor SA plus			Size		
			M6	M8 / M8-25	M10 / M10-25
Nominal characteristic steel ultimate strength	f_{uk}	[N/mm ²]	535	535	535
Nominal characteristic steel yield strength	f_{yk}	[N/mm ²]	485	485	485

CELO Drop in anchor SA plus

Product description
Materials

Annex A3

Handsetting tool

Optional: setting tool with marking and/or rubber grip possible

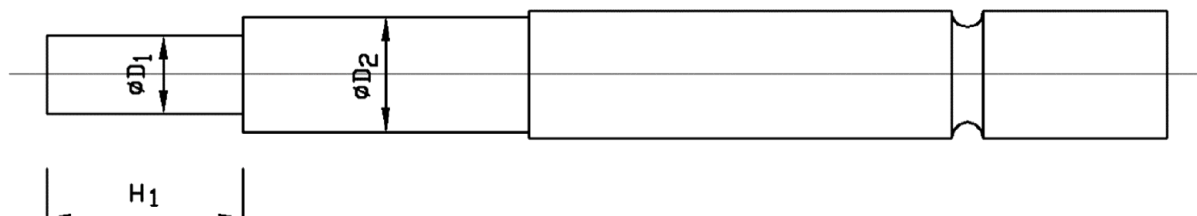


Table A4.1: Geometry of the setting tool

Setting tool	Setting pin		
steel HRc 38-42	dimension		
Type	D ₁	D ₂	H ₁
	[mm]	[mm]	[mm]
ESW 6	5	7,5	15
ESW 8-25	6,6	9,5	17,5
ESW 8	6,6	9,5	17,5
ESW 10-25	8,3	12	17,0
ESW 10	8,3	12	23,5

CELO Drop in anchor SA plus

Product description
Setting tool

Annex A4

Specifications of intended use

Anchorage subject to:

- Static and quasi-static loads,
- Used only for use in concrete for redundant non-structural systems,
- Used for anchorage in prestressed hollow core slabs (only sizes M8-25 and M10-25),
- Under fire exposure (not for using in prestressed hollow core slabs).

Base materials:

- Compacted reinforced or unreinforced normal weight concrete without fibres according to EN 206:2013,
- Strength classes C20/25 to C50/60 according to EN 206:2013,
- Cracked and uncracked concrete.

Use conditions (Environmental conditions):

- Structures subject to dry internal conditions.

Design:

- Anchorages are designed under the responsibility of an engineer experienced in anchorages and concrete work,
- Verifiable calculation notes and drawings are prepared taking account of the loads to be anchored. The position of the anchor is indicated on the design drawings (e. g. position of the anchor relative to reinforcement or to supports, etc.),
- Anchorages are designed in accordance with EN 1992-4:2018, Design Method B and EOTA Technical Report TR 055, Edition February 2018

Installation:

- Anchor installation carried out by appropriately qualified personnel and under the supervision of the person responsible for technical matters of the site,
- Positioning of the drill holes without damaging the reinforcement,
- In case of aborted hole: new drilling at a minimum distance away of twice the depth of the aborted hole or smaller distance if the aborted drill hole is filled with high strength mortar and if under shear or oblique tension load it is not in the direction of load application

CELO Drop in anchor SA plus

Intended use
Specifications

Annex B1

Table B2.1: Installation data

Fixing screws or anchor rods:

It can be used the strength categories 4.6, 5.6, 5.8 or 8.8 acc. EN ISO 898-1:2013.

Minimal screwing depth:

The length of the fixing screw depends on the thickness t_{fix} on the fixed part, permissible tolerances and usable thread length $L_{s,max}$ as well as on the minimal screwing depth $L_{s,min}$.

CELO Drop in anchor SA plus			Size				
			M6	M8-25	M8	M10-25	M10
nominal driller diameter	d_0	[mm]	8	10	10	12	12
Cutting diameter of drillbit	$d_{cut} \leq$	[mm]	8,45	10,45	10,45	12,50	12,50
diameter of thread inside	M	[mm]	6	8	8	10	10
depth of drill hole (deepest point)	$h_1 \geq$	[mm]	27	27	32	27	43
Distance between plug position and prestressing steel ¹⁾	$a_p \geq$	[mm]	-	50	-	50	-
effective embedment depth	h_{ef}	[mm]	25	25	30	25	40
Maximum screwing depth	$L_{s,max}$	[mm]	11	12	13	12	16
Minimum screwing depth	$L_{s,min}$	[mm]	6	8	8	10	10
diameter of clearance hole in the fixture	$d_f \leq$	[mm]	7	9	9	12	12
Maximum installation torque moment	$\max T_{inst}$	[Nm]	4	8	8	15	15

1) Only for hollow core slabs

Table B2.2: Minimum thickness of concrete member, spacing and edge distance

CELO Drop in anchor SA plus			Size				
			M6	M8-25	M8	M10-25	M10
minimum thickness of member	h_{min}	[mm]	100	100	100	100	100
minimum spacing	s_{min}	[mm]	70	120	105	130	105
minimum edge distance	c_{min}	[mm]	105	110	105	140	140

Table B2.3: Minimum thickness, spacing and edge distance of precast prestressed hollow core slabs

CELO Drop in anchor SA plus			Size	
			M8-25	M10-25
minimum thickness of member	h_{min}	[mm]	200	200
minimum spacing	s_{min}	[mm]	180	180
minimum edge distance	c_{min}	[mm]	150	150

CELO Drop in anchor SA plus

Intended use
Installation data

Annex B2

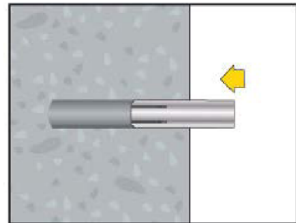
Installation instruction:



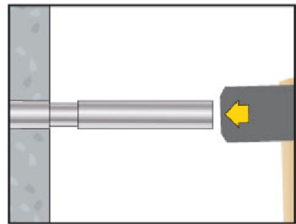
1. Drill the hole with a hammer drill



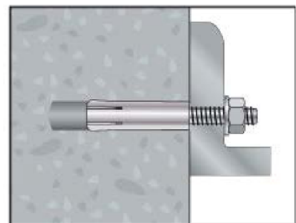
2. Clean the borehole



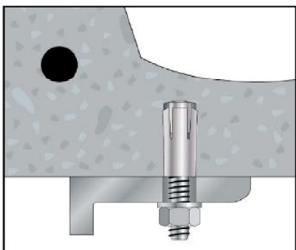
3. To set the anchor by hand or by hammer blows, anchor should be flush to the concrete edge



4. To spread the anchor with the setting tool. The anchor is installed correctly, if the setting pin is completely inside



5. To fix the fixture, not allowed to pass over the max. installation torque T_{inst}



5. Installed SA in precast prestressed hollow core slab

CELO Drop in anchor SA plus

Intended use
Installation instruction

Annex B3

Table C1.1: Characteristic resistance for all load directions

CELO Drop in anchor SA plus				Size				
Any load direction				M6	M8-25	M8	M10-25	M10
Characteristic resistance in concrete C20/25 - C50/60	F_{Rk}^0	[kN]	≥ Steel 4.6	1,5	2,5	3,0	2,5	7,5
Installation factor	γ_{inst}	[-]		1,4	1,2	1,2	1,2	1,2
Characteristic spacing	s_{cr}	[mm]		80	220	120	220	240
Characteristic edge distance	c_{cr}	[mm]		40	110	60	110	120
Steel failure with lever arm								
Characteristic bending moment	$M_{Rk,s}^0$	[Nm]	Steel 4.6	6,1	15,0	15,0	29,9	29,9
Characteristic bending moment	$M_{Rk,s}^0$	[Nm]	Steel 5.6	7,6	18,7	18,7	37,4	37,4
Characteristic bending moment	$M_{Rk,s}^0$	[Nm]	Steel 5.8	7,6	18,7	18,7	37,4	37,4
Characteristic bending moment	$M_{Rk,s}^0$	[Nm]	Steel 8.8	12,2	30,0	30,0	59,8	59,8

**Table C1.2: Characteristic resistance for use in precast prestressed hollow core slabs
with bottom flange thickness ≥ 35 mm**

CELO Drop in anchor SA plus				
Precast prestressed hollow core slabs, C45/55 to C50/60			Size	
Any load direction			M8-25	M10-25
Characteristic resistance	F_{Rk}^0	[kN]	3,0	4,0
Installation factor	γ_{inst}	[-]	1,2	1,2
Spacing	$s_{cr} = s_{min}$	[mm]	180	180
Edge distance	$c_{cr} = c_{min}$	[mm]	150	150

CELO Drop in anchor SA plus

Performances

Characteristic resistance for all load directions

Annex C1

**Table C2: Characteristic resistance under fire exposure in any load direction
for use in concrete C20/25 to C50/60 (not for using in prestressed hollow core slabs)**

CELO Drop in anchor SA plus					Size		
Fire resistance class					M6	M8	M10
R30	Characteristic resistance	$F_{Rk,fi30}^{1)}$	[kN]	≥Steel 4.6	0,2	0,3	0,6
R60	Characteristic resistance	$F_{Rk,fi60}^{1)}$	[kN]	≥Steel 4.6	0,2	0,3	0,5
R90	Characteristic resistance	$F_{Rk,fi90}^{1)}$	[kN]	≥Steel 4.6	0,2	0,2	0,4
R120	Characteristic resistance	$F_{Rk,fi120}^{1)}$	[kN]	≥Steel 4.6	0,1	0,2	0,3
R30-R120	Characteristic resistance with lever arm	$M^0_{Rk,s,fi}$	[Nm,]		No performance assessed		
Spacing and edge distance under fire exposure							
Spacing distance for R30 – R120		$S_{cr,fi}$	[mm]		100	120	160
Edge distance for R30 – R120		$C_{cr,fi}$	[mm]		50	60	80

¹⁾ $N_{Rk,s,fi} = N_{Rk,p,fi} = V_{Rk,s,fi} = F_{Rk,s,fi}$

The edge distance shall be ≥ 300 mm, in case of fire attack from more than one side.

CELO Drop in anchor SA plus

Performances

Characteristic resistance under fire exposure

Annex C2