

Approval body for construction products
and types of construction

Bautechnisches Prüfamt

An institution established by the Federal and
Laender Governments



European Technical Assessment

ETA-98/0004
of 16 June 2021

English translation prepared by DIBt - Original version in German language

General Part

Technical Assessment Body issuing the
European Technical Assessment:

Deutsches Institut für Bautechnik

Trade name of the construction product

fischer-Zykon-Anchor FZA, FZA-D, FZA-I, FZA ST

Product family
to which the construction product belongs

Mechanical fasteners for use in concrete

Manufacturer

fischerwerke GmbH & Co. KG
Klaus-Fischer-Straße 1
72178 Waldachtal
DEUTSCHLAND

Manufacturing plant

fischerwerke

This European Technical Assessment
contains

33 pages including 3 annexes which form an integral part
of this assessment

This European Technical Assessment is
issued in accordance with Regulation (EU)
No 305/2011, on the basis of

EAD 330232-01-0601, Edition 05/2021

This version replaces

ETA-98/0004 issued on 18 February 2020

The European Technical Assessment is issued by the Technical Assessment Body in its official language. Translations of this European Technical Assessment in other languages shall fully correspond to the original issued document and shall be identified as such.

Communication of this European Technical Assessment, including transmission by electronic means, shall be in full. However, partial reproduction may only be made with the written consent of the issuing Technical Assessment Body. Any partial reproduction shall be identified as such.

This European Technical Assessment may be withdrawn by the issuing Technical Assessment Body, in particular pursuant to information by the Commission in accordance with Article 25(3) of Regulation (EU) No 305/2011.

Specific Part

1 Technical description of the product

The fischer-Zykon-Anchor FZA, FZA-D, FZA-I and FZA ST is an anchor made of galvanised or stainless or high corrosion resistant steel which is placed in an undercut hole and anchored by mechanical interlock with displacement-controlled installation.

The bolt projection anchor FZA and the through bolt anchor FZA-D consists of a conical bolt with external thread, an expansion sleeve and a hexagon nut with washer. The internal threaded anchor FZA-I consists of a conical bolt with internal thread and an expansion sleeve. The bold projecting anchor FZA ST consists of a conical bolt with hexagon projecting end, an expansion sleeve with colour marking, a hexagon nut with washer and a plastic sleeve.

The anchor is anchored by impact acting on the expansion sleeve over the cone bolts in the undercuts of the borehole.

The product description is given in Annex A.

2 Specification of the intended use in accordance with the applicable European Assessment Document

The performances given in Section 3 are only valid if the fastener is used in compliance with the specifications and conditions given in Annex B.

The verifications and assessment methods on which this European Technical Assessment is based lead to the assumption of a working life of the fastener of at least 50 years. The indications given on the working life cannot be interpreted as a guarantee given by the producer, but are to be regarded only as a means for choosing the right products in relation to the expected economically reasonable working life of the works.

3 Performance of the product and references to the methods used for its assessment

3.1 Mechanical resistance and stability (BWR 1)

Essential characteristic	Performance
Characteristic resistance to tension load (static and quasi-static loading) Method A	See Annex C1 to C3, Annex C7
Characteristic resistance to shear load (static and quasi-static loading)	See Annex C4 to C6
Displacements	See Annex C14 and C15
Characteristic resistance and displacements for seismic performance category C1 and C2	See Annex C8 to C11

3.2 Safety in case of fire (BWR 2)

Essential characteristic	Performance
Reaction to fire	Class A1
Resistance to fire	See Annex C12 and C13

3.3 Aspects of durability linked with the Basic Works Requirements

Essential characteristic	Performance
Durability	See Annex B1

English translation prepared by DIBt

4 Assessment and verification of constancy of performance (AVCP) system applied, with reference to its legal base

In accordance with the European Assessment Document EAD 330232-01-0601 the applicable European legal act is: [96/582/EC].

The system to be applied is: 1

5 Technical details necessary for the implementation of the AVCP system, as provided for in the applicable European Assessment Document

Technical details necessary for the implementation of the AVCP system are laid down in the control plan deposited with Deutsches Institut für Bautechnik.

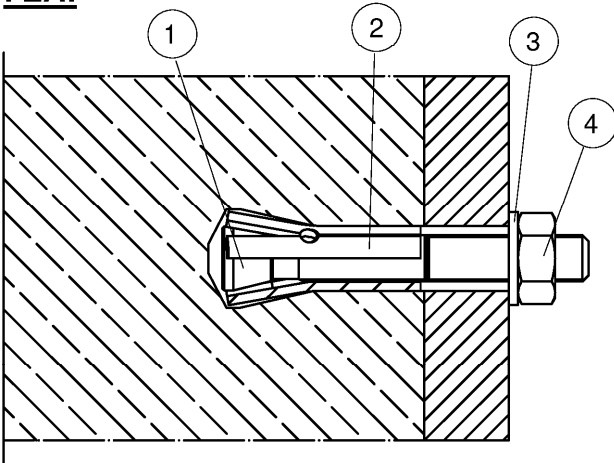
Issued in Berlin on 16 June 2021 by Deutsches Institut für Bautechnik

Dipl.-Ing. Beatrix Wittstock
Head of Section

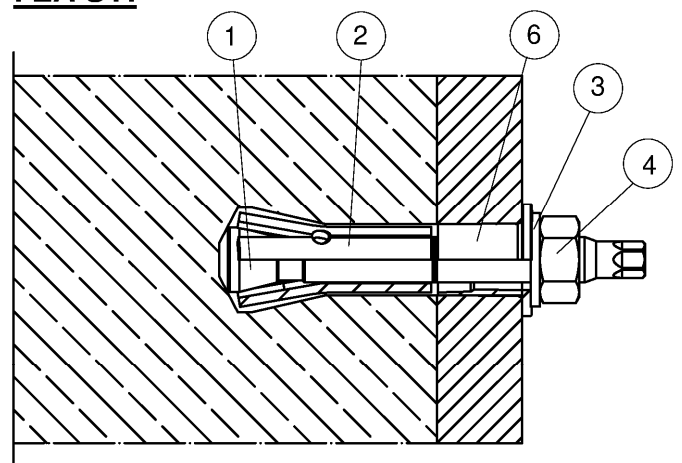
beglaubigt:
Baderschneider

Bolt projecting anchor

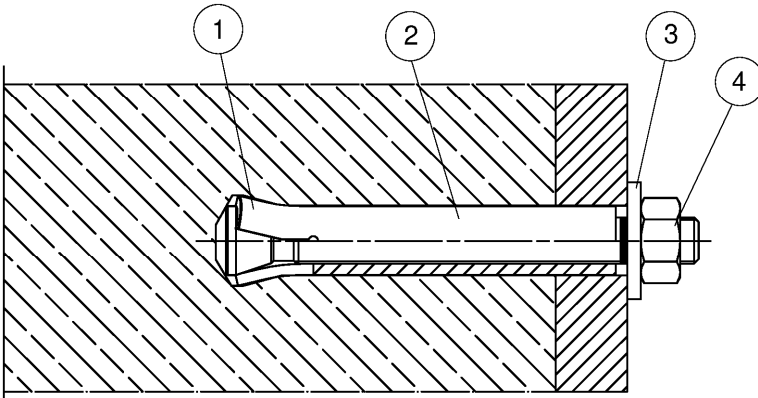
FZA:



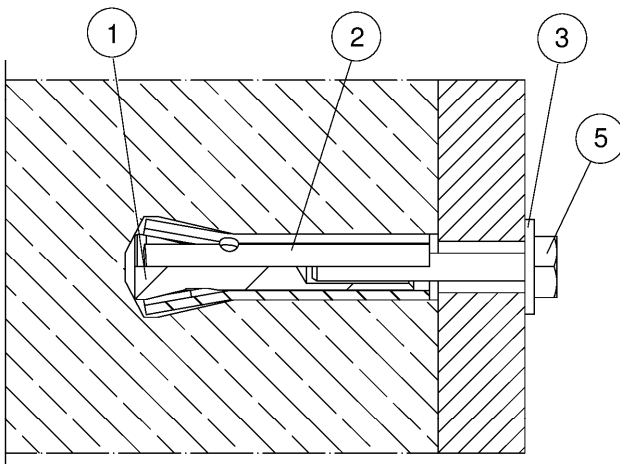
FZA ST:



Through bolt anchor FZA D



Internal thread anchor FZA I



- ① = Cone bolt
- ② = Expansion sleeve
- ③ = Washer
- ④ = Hexagon nut
- ⑤ = Hexagonal screw
- ⑥ = Plastic sleeve

(figure not to scale)

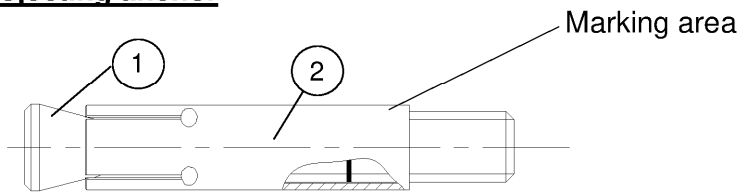
fischer-ZYKON-Anchor FZA, FZA D, FZA I, FZA ST

Product description
Installed condition

Annex A 1

Bolt projecting anchor

FZA:



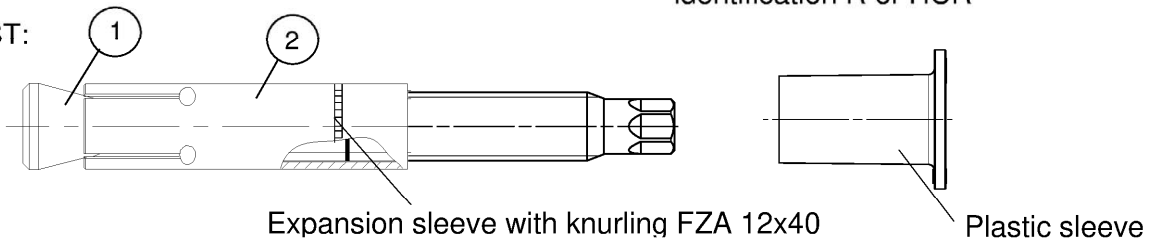
Product marking, example:



Brand | type of fastener

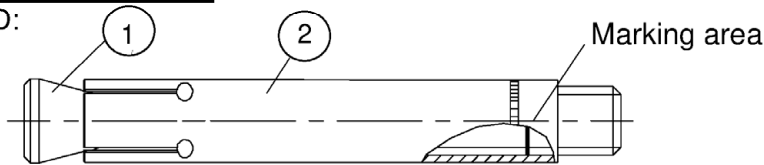
Diameter x length expansion sleeve
identification R or HCR

FZA ST:



Through bolt anchor

FZA D:



Product marking, example:

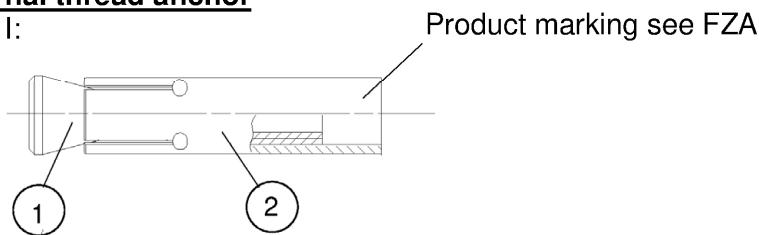


Brand | type of fastener

Diameter x length expansion sleeve
D / max. thickness of fixture (t_{fix})
identification R or HCR

Internal thread anchor

FZA I:



- FZA: Carbon steel, galvanised
- FZA HDG: Carbon steel, hot dip galvanised
- FZA R: Stainless steel
- FZA HCR: High corrosion resistant steel

(figure not to scale)

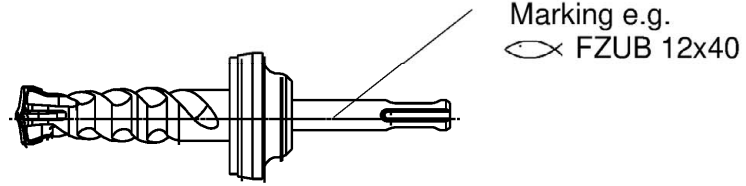
fischer-ZYKON-Anchor FZA, FZA D, FZA I, FZA ST

Product description
Types of fastener

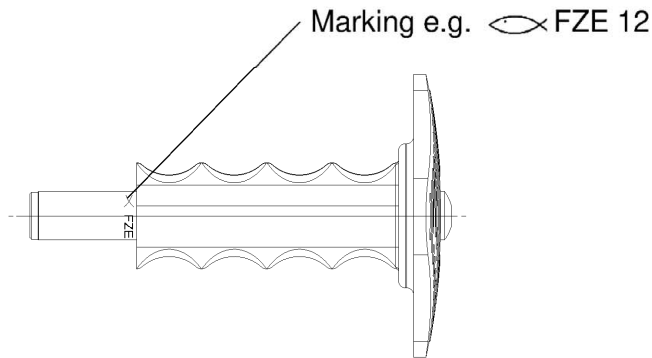
Annex A 2

ZYKON drill

FZUB:

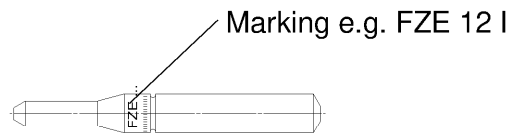


Setting tool FZE Plus



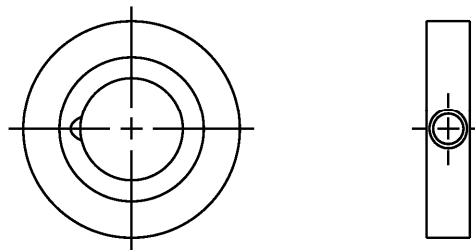
Centring pin

for internal thread anchor



Filling disk FFD

Optional e.g. for seismic application



(figure not to scale)

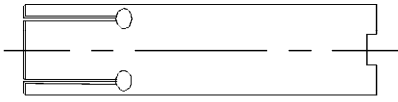
fischer-ZYKON-Anchor FZA, FZA D, FZA I, FZA ST

Product description

Drill FZUB, setting tool FZE Plus and filling disk

Annex A 3

Types of expansion sleeve



manufactured by punching



manufactured by turning

FZA

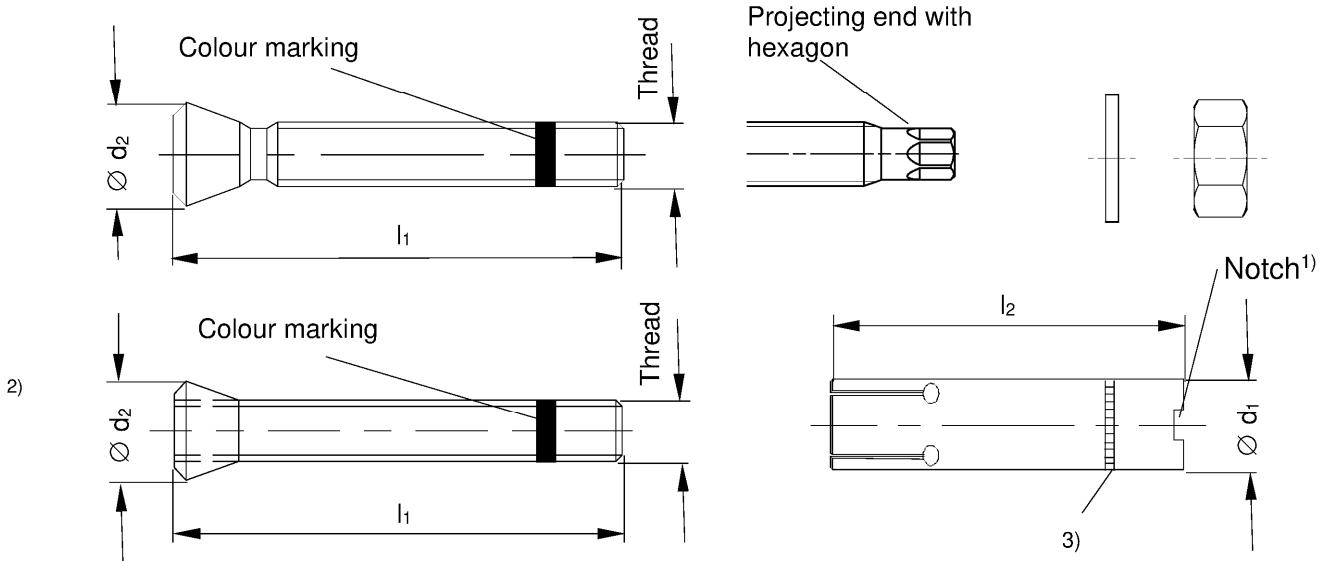


Table A4.1: Dimension bolt projecting FZA [mm]

Type of fastener	Thread	l_1 min	l_1 max	l_2	$\varnothing d_1$	$\varnothing d_2$
FZA 10 x 40 M 6 / $t_{fix}^{1)}$	M6	50	100	40	10	12
FZA 12 x 40 M 8 / $t_{fix}^{1)}$	M8	52	154			
FZA 14 x 40 M 10 / $t_{fix}^{1)}$	M10	54	204			
FZA 12 x 50 M 8 / t_{fix}	M8	62	164	50	12	14
FZA 14 x 60 M 10 / t_{fix}	M10	80	232	60		
FZA 18 x 80 M 12 / t_{fix}	M12	99	301	80	18	22
FZA 22 x 100 M16 / t_{fix}	M16	122	374	100		
FZA 22 x 125 M16 / $t_{fix}^{1)}$		147	399	125		
FZA 12 x 40 ST ¹⁾	M8	62	164	50 ³⁾	12	14
FZA 14 x 40 ST ¹⁾	M10	54	204	40		
FZA 14 x 60 ST		80	232	60		

¹⁾ Expansion sleeve with notch

²⁾ Design: threaded bolt with cone nut

³⁾ Expansion sleeve with knurling at FZA 12x40 ST

(figure not to scale)

fischer-ZYKON-Anchor FZA, FZA D, FZA I, FZA ST

Product description
Fastener dimensions

Annex A 4

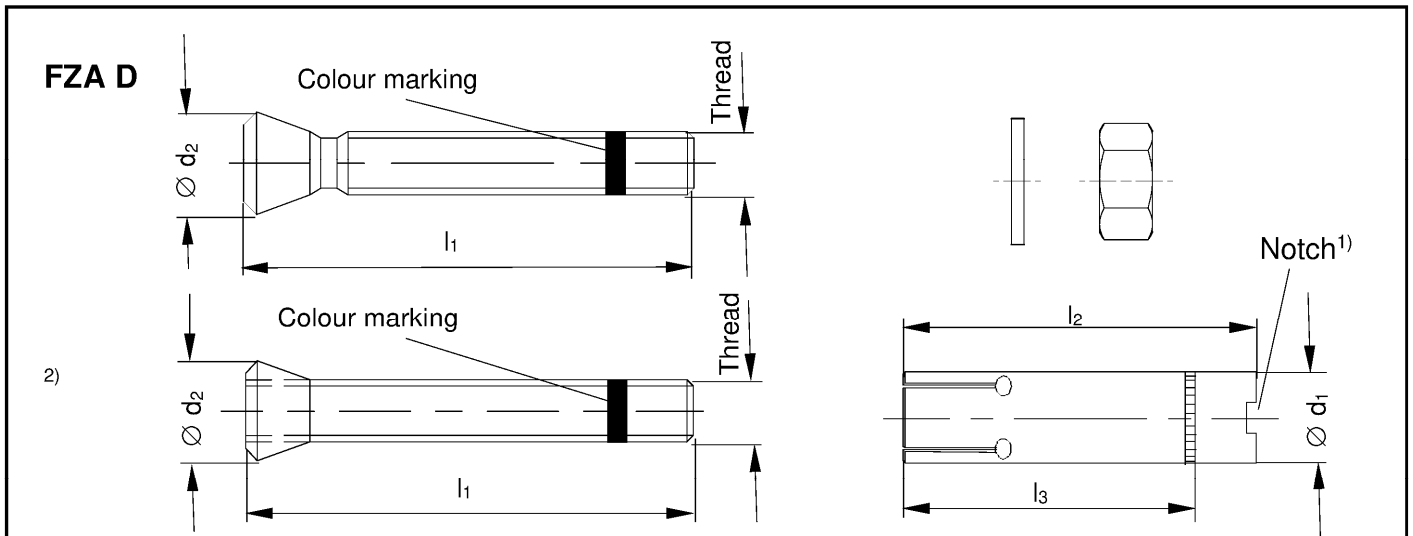


Table A5.1: Dimensions through bolt anchor FZA D [mm]

Type of fastener	Thread	l_1	l_2	l_3	$\varnothing d_1$	$\varnothing d_2$
FZA 12 x 50 M 8 D/10 ¹⁾	M8	69	50	40	12	
FZA 12 x 60 M 8 D/10		79	60	50		
FZA 12 x 80 M 8 D/30		99	80	50		
FZA 14 x 80 M 10 D/20	M10	102	80	60	14	
FZA 14 x 100 M 10 D/40		126				
FZA 18 x 100 M 12 D/20	M12	126	100	80	18	
FZA 18 x 130 M 12 D/50		156				
FZA 22 x 125 M 16 D/25	M16	156	125	100	22	

¹⁾ Expansion sleeve with notch

²⁾ Design: threaded bolt with cone nut

FZA I

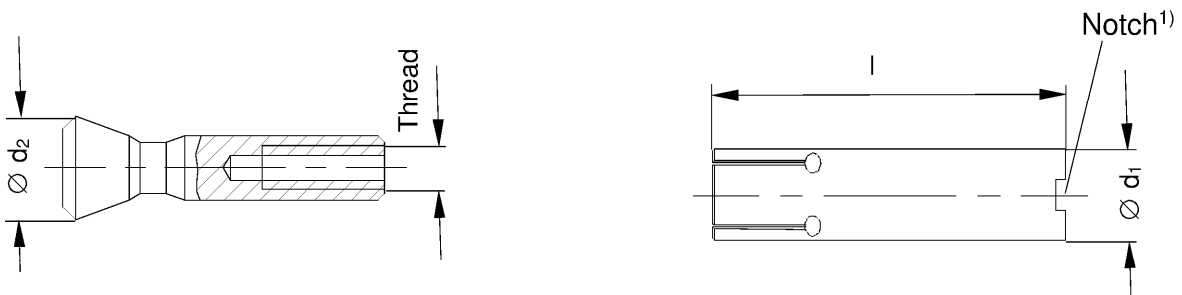


Table A5.2: Dimensions internal thread anchor FZA I [mm]

Type of fastener	Gewinde	l	$\varnothing d_1$	$\varnothing d_2$
FZA 12 x 40 M 6 I ¹⁾	M6	40	12	
FZA 12 x 50 M 6 I		50		
FZA 14 x 60 M 8 I	M8	60	14	
FZA 18 x 80 M 10 I	M10	80	18	
FZA 22 x 100 M 12 I	M12	100	22	
FZA 22 x 125 M 12 I ¹⁾		125		

¹⁾ Expansion sleeve with notch

(figure not to scale)

fischer-ZYKON-Anchor FZA, FZA D, FZA I, FZA ST

Product description
Anchor dimensions

Annex A 5

ZYKON drill FZUB

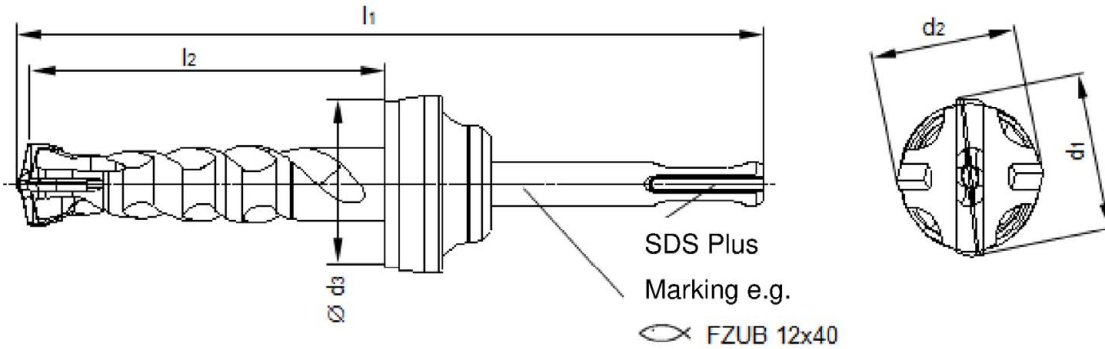
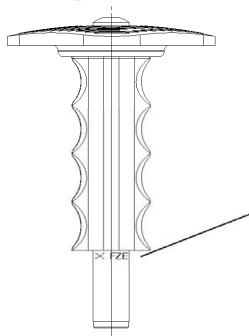


Table A6.1: Dimensions ZYKON drill FZUB [mm]

Type of drill	Connection	l_1	$l_2 \geq$	d_1	d_2	$\varnothing d_3 \leq$
FZUB 10 x 40	SDS plus	126	40	10,35 - 10,80	$d_2 \leq d_1$	39,5
FZUB 12 x 40		127				
FZUB 12 x 50		137	50	12,45 - 12,85		
FZUB 12 x 60		147				
FZUB 12 x 80		167	80			
FZUB 14 x 40		130		14,45 - 14,85		
FZUB 14 x 60		152				
FZUB 14 x 80		172	80			
FZUB 14 x 100		192		100		
FZUB 18 x 80		172	18,75 - 19,15			
FZUB 18 x 100		192				
FZUB 18 x 130		222	130			
FZUB 22 x 100		197	100	22,45 - 22,95		
FZUB 22 x 125		222				125

For assignment of the ZYKON FZUB drill bits and the FZE-Plus setting tools to be used to the respective fastener types and sizes, acc. to Annex B 2

Setting tool FZE Plus:



Marking e.g.
FZE 12

Centring pin for setting tool FZE Plus:



Marking e.g.
FZE 12 I

(figure not to scale)

fischer-ZYKON-Anchor FZA, FZA D, FZA I, FZA ST

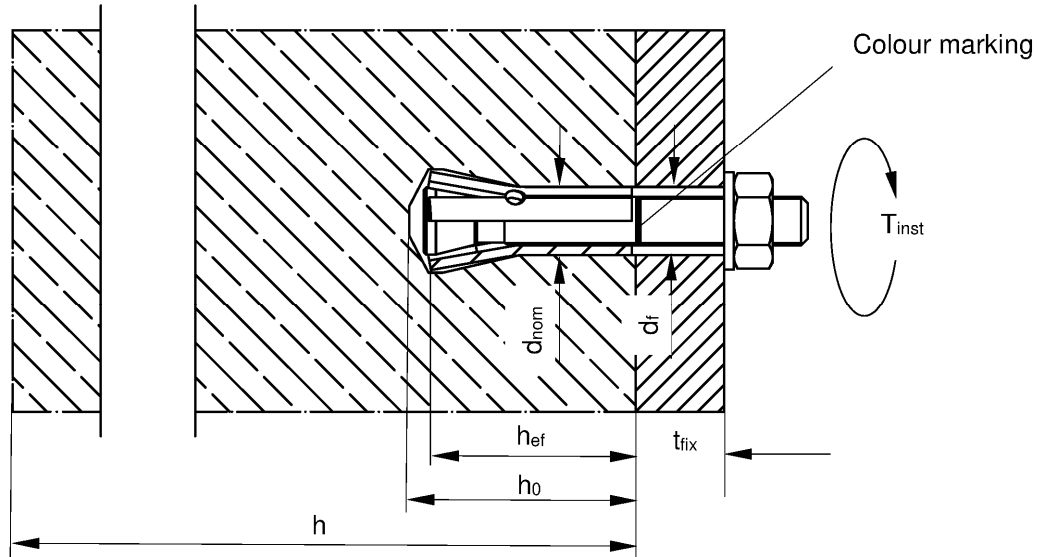
Product description
ZYKON drill FZUB and setting tool FZE Plus

Annex A 6

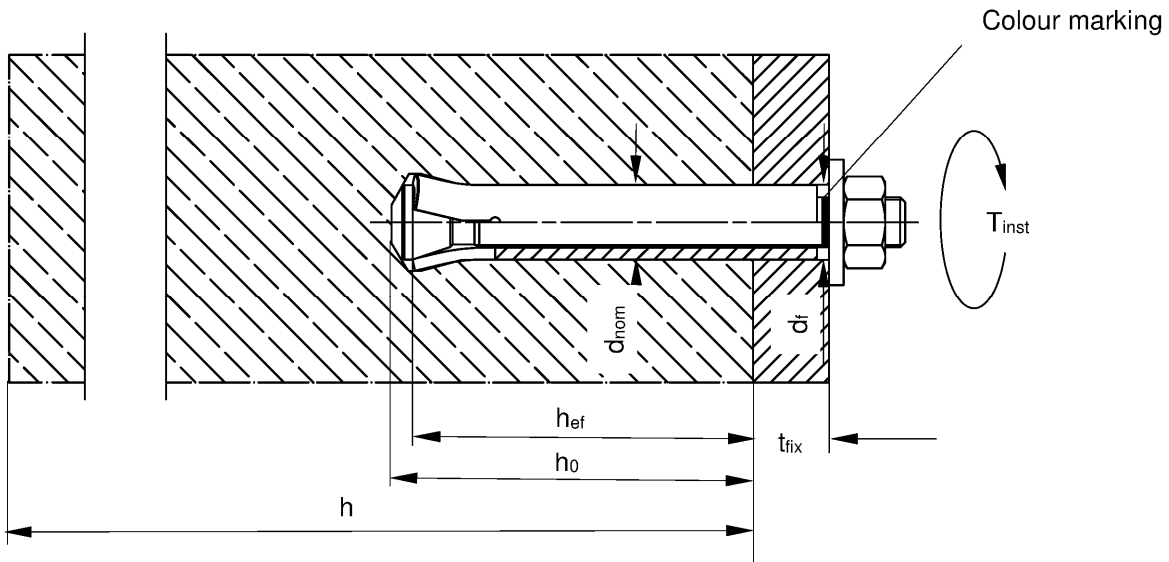
Table A7.1: Materials FZA, FZA D, FZA I ¹⁾ (galvanised $\geq 5\mu\text{m}$, ISO 4042:2018) FZA HDG, FZA D HDG (hot-dip galvanized ²⁾, ISO 10684:2011)		
Part	Designation	Material
1	Cone bolt with external thread	Cold form steel or free cutting steel Nominal steel tensile strength: $f_{uk} \leq 1000 \text{ N/mm}^2$
	Conical bolt with internal thread	Steel, EN 10277:2018 Nominal steel tensile strength $f_{uk} \leq 1000 \text{ N/mm}^2$
2	Expansion sleeve seamless or rolled	Steel
3	Washer ¹⁾	Cold strip, EN 10139:2016
4	Hexagon nut	Steel, property class 8, EN ISO 898-2:2012
5	Screw / threaded rod with nut ¹⁾	Steel, property class ≥ 5.8
-	Filling disk FFD ³⁾	Steel
Table A7.2: Materials FZA R, FZA D R, FZA I R ¹⁾, FZA ST R		
Part	Designation	Material Stainless steel acc. to EN 10088:2014 Corrosion resistance class CRC III acc. to EN 1993-1-4:2015
1	Cone bolt with external thread	Stainless steel EN 10088:2014
	Conical bolt with internal thread	
2	Expansion sleeve seamless or rolled	
3	Washer ¹⁾	
4	Hexagon nut	Stainless steel EN 10088:2014; ISO 3506-2:2018; property class ≥ 70
5	Screw / threaded rod with nut ¹⁾	Stainless steel EN 10088:2014; property class ≥ 50
-	Filling disk FFD ³⁾	Stainless steel EN 10088:2014
Table A7.3: Materials FZA HCR, FZA D HCR, FZA I HCR ¹⁾		
Part	Designation	Material High corrosion resistant steel acc. to EN 10088:2014 Corrosion resistance class CRC V acc. to EN 1993-1-4:2015
1	Cone bolt with external thread	High corrosion resistant steel EN 10088:2014
	Conical bolt with internal thread	
2	Expansion sleeve seamless or rolled	
3	Washer ¹⁾	
4	Hexagon nut	High corrosion resistant steel EN 10088:2014; ISO 3506-2:2018; property class ≥ 70
5	Screw / threaded rod with nut ¹⁾	High corrosion resistant steel EN 10088:2014; property class ≥ 50
-	Filling disk FFD ³⁾	High corrosion resistant steel EN 10088:2014
¹⁾ FZA I: Washers and screws or threaded rods with hexagon nuts are not included in the scope of delivery ²⁾ Alternative method sherardised, EN 13811:2003 ³⁾ Optional for e.g. seismic application		
fischer-ZYKON-Anchor FZA, FZA D, FZA I, FZA ST		Annex A 7
Product description Materials		

Specifications of intended use					
Anchorages subject to:					
Size	FZA				
	10x40 M6 12x40 M8 12x40 ST M8 12x50 M8	14x40 M10 14x40 M10 ST 14x60 M10 14x60 M10 ST 18x80 M12 22x100 M12 22x125 M12	12x50 M8 D 12x60 M8 D 12x80 M8 D	14x80 M10 D 14x100 M10 D 18x100 M12 D 18x130 M12 D 22x125 M16 D	12x40 M6 I 12x50 M6 I 14x60 M8 I 18x80 M10 I 22x100 M12 I 22x125 M12 I
Static and quasi-static loads					
Cracked and uncracked concrete	✓		✓		✓
Fire exposure		✓		✓	
Seismic performance category	C1 C2	1)	1)		1)
<p>¹⁾ No performance assessed</p> <p>Base materials:</p> <ul style="list-style-type: none"> • Compacted reinforced or unreinforced normal weight concrete without fibres (cracked and uncracked) of strength classes C20/25 to C50/60 according to EN 206:2013+A1:2016 <p>Use conditions (Environmental conditions):</p> <ul style="list-style-type: none"> • Structures subject to dry internal conditions: FZA, FZA D, FZA HDG, FZA D HDG, FZA I • For all other conditions according to EN 1993-1-4:2015-10 corresponding to corrosion resistance class: <ul style="list-style-type: none"> - CRC III: FZA R, FZA D R, FZA I R, FZA ST R - CRC V: FZA HCR, FZA D HCR, FZA I HCR <p>Design:</p> <ul style="list-style-type: none"> • Anchorages are designed under the responsibility of an engineer experienced in anchorages and concrete work • Verifiable calculation notes and drawings are to be prepared taking account of the loads to be anchored. The position of the anchor is indicated on the design drawings (e.g. position of the anchor relative to reinforcement or to supports, etc.) • For the internally threaded anchors FZA I the characteristic resistances against steel failure for screws or threaded rods must be designed additionally from the construction site. Screw lengths are to be determined by the planning engineer taking into account the thickness of the component to be connected, the thickness of the washers and the required screw-in depth (according to Annex B4) and tolerances • Design of fastenings according to EN 1992-4:2018 and EOTA Technical Report TR 055, Edition February 2018 					
fischer-ZYKON-Anchor FZA, FZA D, FZA I, FZA ST					Annex B 1
Intended Use Specifications					

Bolt projecting anchor FZA:



Through bolt anchor FZA D:



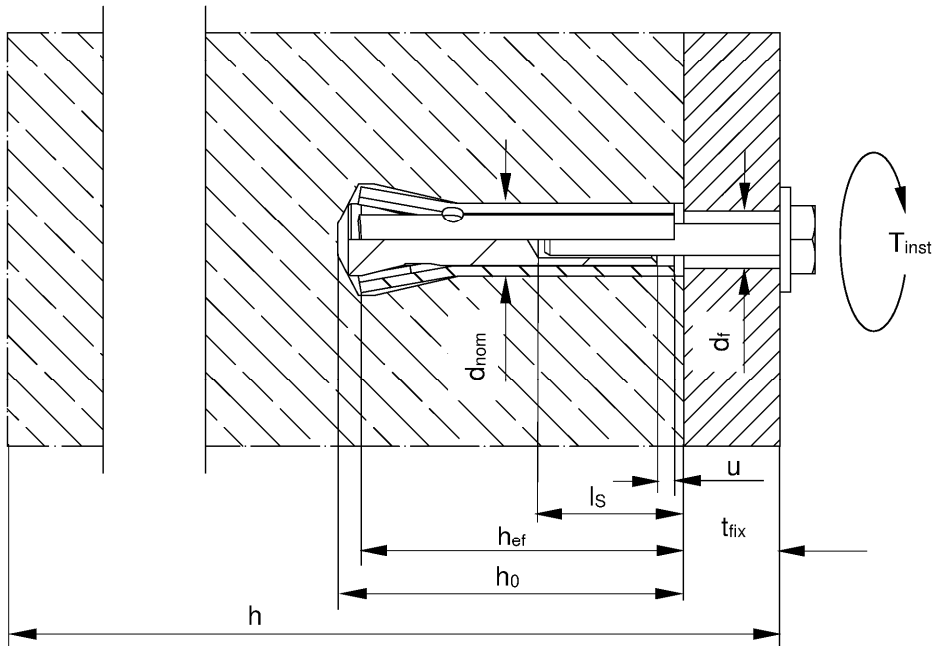
(figure not to scale)

fischer-ZYKON-Anchor FZA, FZA D, FZA I, FZA ST

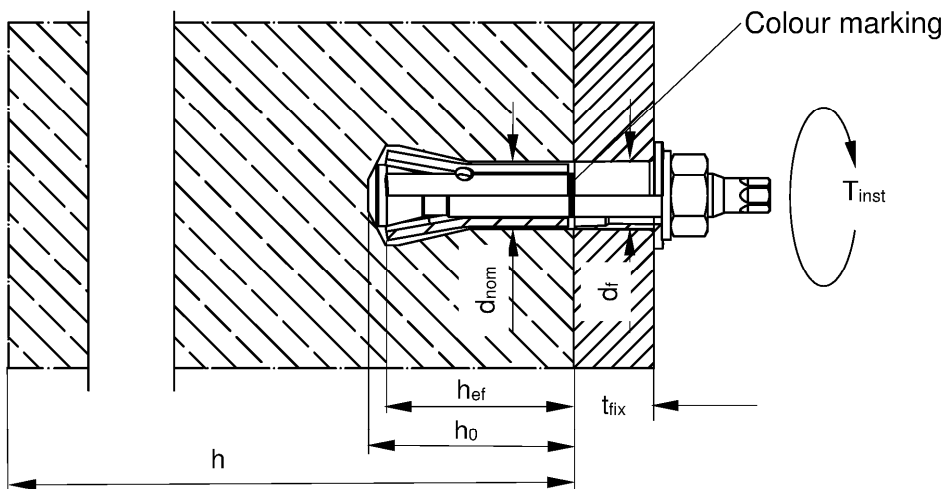
Annex B 2

Intended Use
Installation parameters

Internal thread anchor FZA I:



Bolt projecting anchor FZA ST:



- Legend:
- h_{ef} = Effective embedment depth
 - t_{fix} = Thickness of fixture
 - d_i = Diameter of the clearance hole in the fixture
 - u = Gap between conical bolt with internal thread and expansion sleeve (FZA I)
 - h = Thickness of concrete member
 - T_{inst} = Required torque moment
 - l_s = Screw-in depth (FZA I)
 - d_{nom} = Nominal anchor diameter
 - h_0 = Drill hole depth

(figure not to scale)

fischer-ZYKON-Anchor FZA, FZA D, FZA I, FZA ST

Intended Use
Installation parameters

Annex B 3

Table B4.1: Installation parameters for FZA, FZA D, FZA I, FZA ST

Type of fastener	Drill hole depth $\geq h_0$ [mm]	t_{fix} [mm]		Drill FZUB	Setting tool FZE Plus	$d_r^{2)}$ \leq [mm]	$T_{inst}^{1)}$ [Nm]	Gap u [mm]	Screw-in depth l_s [mm]		
		min	max						max	min	
FZA 10 x 40 M 6 / t_{fix}	43	1	50	10x40	10	7	8,5				
FZA 12 x 40 M 8 / t_{fix}			100	12x40	12	9	20				
FZA 14 x 40 M 10 / t_{fix}			150	14x40	14	12	40				
FZA 12 x 50 M 8 / t_{fix}	54		100	12x50	12	9	20				
FZA 14 x 60 M 10 / t_{fix}	63		150	14x60	14	12	40				
FZA 18 x 80 M 12 / t_{fix}	83		200	18x80	18	14	60				
FZA 22 x 100 M16 / t_{fix}	103		250	22x100	22	18	100				
FZA 22 x 125 M16 / t_{fix}	127		250	22x125							
FZA 12 x 40 ST	43	1	100	12x40	12	17	20				
FZA 14 x 40 ST			150	14x40	14						
FZA 14 x 60 ST			63	150							14x60
FZA 12 x 50 M 8 D/10	43	1	10	12x50	12	14	20				
FZA 12 x 60 M 8 D/10			53	10							12x60
FZA 12 x 80 M 8 D/30				30							12x80
FZA 14 x 80 M 10 D/20	63		20	14x80	14	16	40				
FZA 14 x 100 M 10 D/40			40	14x100							
FZA 18 x 100 M 12 D/20	83		20	18x100	18	20	60				
FZA 18 x 130 M 12 D/50			50	18x130							
FZA 22 x 125 M 16 D/25			105	25							22x125
FZA 12 x 40 M 6 I	43			12x40	12 + FZE 12 I	7	8,5	0 – 4,0	15	10	
FZA 12 x 50 M 6 I	53			12x50	14 + FZE	9	15		18	12	
FZA 14 x 60 M 8 I	63			14x60	18 + FZE	12	30		24	16	
FZA 18 x 80 M 10 I	83			18x80	22 + FZE 22 I	14	60	0 – 4,5	26		
FZA 22 x 100 M 12 I	103			22x100							
FZA 22 x 125 M 12 I	127			22x125							

¹⁾ When using the internal thread anchor FZA I with threaded rods or screws according to Annex A 7, the specified installation torque must also be applied

²⁾ Diameter of the clearance hole in the fixture

fischer-ZYKON-Anchor FZA, FZA D, FZA I, FZA ST

Intended Use
Installation parameters

Annex B 4

Installation instructions for FZA, FZA D, FZA I, FZA ST

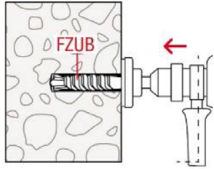
- Anchor installation carried out by appropriately qualified personnel and under the supervision of the person responsible for technical matters of the site
- Use of the anchor only as supplied by the manufacturer without exchanging the components of the anchor
- Checking before placing the anchor to ensure that the strength class of the concrete in which the anchor is to be placed is in the range given and is not lower than that of the concrete to which the characteristic loads apply
- Check of concrete being well compacted, e.g. without significant voids
- Drill hole created perpendicular $\pm 5^\circ$ to concrete surface, positioning without damaging the reinforcement
- In case of aborted hole: new drilling at a minimum distance twice the depth of the aborted drill hole or smaller distance if the aborted drill hole is filled with high strength mortar and if under shear or oblique tension load it is not in the direction of load application
- Anchor must be installed to comply with the correct anchorage depth. This is assured when the front face of the sleeve, for the internal thread, is approximately 1mm below the concrete surface or, in the case of the through bolt versions, approximately 1mm below the front surface of fixture. When using the FZA 12x40 ST the knurling on the sleeve is flush or below the concrete surface. For the bolt and through bolt version the anchor is correctly expanded if the colour marking on the thread of the tapered bolt is visible.

fischer-ZYKON-Anchor FZA, FZA D, FZA I, FZA ST

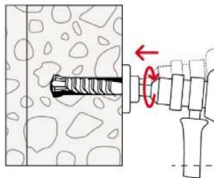
Intended Use
Installation instructions

Annex B 5

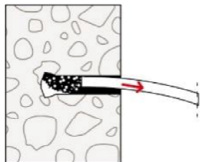
Pre-positioned installation FZA, FZA I and FZA ST



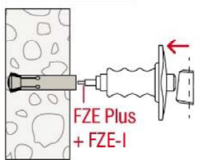
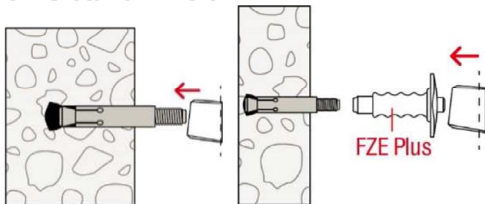
1.: The drill hole must be drilled at right angles ($\pm 5^\circ$) to the surface of the anchor base with a hammer drill using the corresponding ZYKON FZUB drill bit. The required drilling depth is reached when the depth stop of the FZUB is in contact with the concrete.



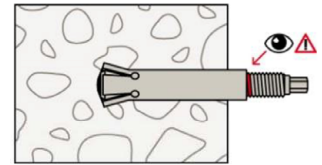
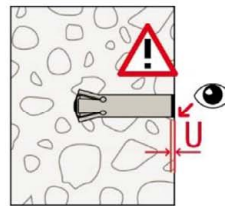
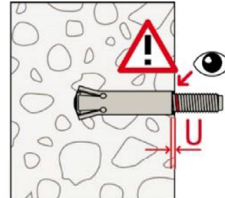
2.: Once the FZUB depth stop meets the concrete, create the drill hole undercut by making circular swiveling movements with the hammer drill while the hammer mechanism is engaged. Press the hammer drill firmly against the anchor base: 1 - 2 swiveling movements are sufficient for $\varnothing 14$ mm, with 3 - 5 movements for $\varnothing 18$ mm and $\varnothing 22$ mm.



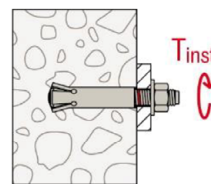
3.: Clean drill hole.



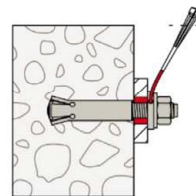
4.: Insert the anchor into the drill hole and then drive the expansion sleeve in with hammer-set device FZE Plus, using a manual hammer.



5.: The anchor is correctly expanded if the colour marking on the thread of the tapered bolt is visible or the gap u between conical bolt with internal thread and expansion sleeve (FZA I) is fulfilled. When using the FZA 12x40 ST the knurling on the sleeve is flush or below the concrete surface.



6.: Mount installation object (e.g. anchor plate), washer and nut, screw (for FZA I) or threaded rod with washer and nut (for FZA I) and apply installation torque with torque spanner.



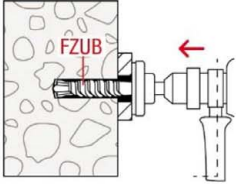
Optional: The gap between bolt and fixture may be filled with mortar (compressive strength ≥ 50 N/mm² e.g. FIS SB) after step 6 (for eliminating the annular gap). The filling disc is additional to the standard washer. The thickness of the filling disc must be considered for definition of t_{fix} . Countersunk of the filling disc in direction to the anchor plate.

fischer-ZYKON-Anchor FZA, FZA D, FZA I, FZA ST

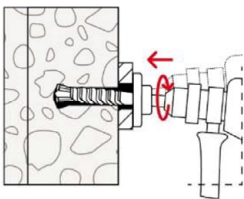
Intended Use
Installation instructions

Annex B 6

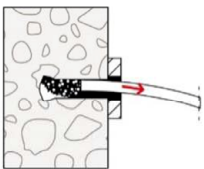
Push-through installation FZA D



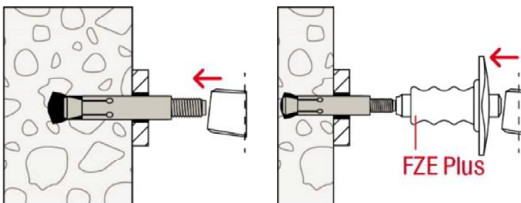
1.: Create a drill hole through the installation object perpendicular to the surface of the anchor base with a hammer drill, using the corresponding Zykon universal drill bit FZUB. The required drill depth is reached once the FZUB depth stop meets the fixture.



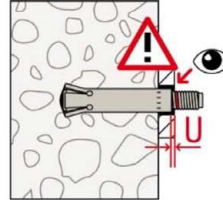
2.: Once the FZUB depth stop meets the fixture, create the drill hole undercut by making circular swiveling movements with the hammer drill while the hammer mechanism is engaged. Press the hammer drill firmly against the anchor base: 1 - 2 swiveling movements are sufficient for \varnothing 14 mm, with 3 - 5 movements for \varnothing 18 mm and \varnothing 22 mm.



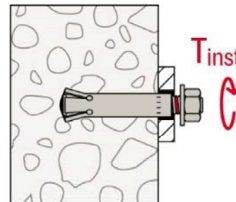
3.: Clean drill hole.



4.: Insert the anchor into the drill hole through the installation object (e.g. anchor plate) and then drive the expansion sleeve in with hammer-set device FZE Plus, using a manual hammer.



5.: The anchor is correctly expanded if the colour marking on the thread of the tapered bolt is visible.



6.: Mount installation object (e.g. anchor plate), washer and nut and apply installation torque with torque spanner.

fischer-ZYKON-Anchor FZA, FZA D, FZA I, FZA ST

Intended Use
Installation instructions

Annex B 7

Table C1.1: Characteristic values of tension resistance under static and quasi-static action for bolt projecting anchor FZA, FZA ST								
Type of anchor / size	FZA (bolt projecting anchor)							
	10x40 M6	12x40 12x40 ST M8	14x40 14x40 ST M10	12x50 M8	14x60 14x60 ST M10	18x80 M12	22x100 M16	22x125 M16
Steel failure for FZA								
Characteristic resistance $N_{Rk,s}$ [kN]	16,1	29,3	46,4	29,3	46,4	67,4	125,6	
Partial factor γ_{Ms} [-]	1,5							
Steel failure for FZA HDG								
Characteristic resistance $N_{Rk,s}$ [kN]	13,1	25,0	40,7	25,0	40,7	60,1	115	
Partial factor γ_{Ms} [-]	1,5							
Steel failure for FZA R								
Characteristic resistance $N_{Rk,s}$ [kN]	14,1	25,6	40,6	25,6	40,6	59,0	109,9	
Partial factor γ_{Ms} [-]	1,87							
Steel failure for FZA HCR								
Characteristic resistance $N_{Rk,s}$ [kN]	14,1	25,6	40,6	25,6	40,6	59,0	109,9	
Partial factor γ_{Ms} [-]	1,5							
Modulus of elasticity E_s [N/mm ²]	210.000							
Pullout failure for FZA, FZA HDG, FZA R, FZA HCR								
Characteristic resistance in concrete C20/25	cracked $N_{Rk,p}$ [kN]	6		9	12	24	40	
	uncracked $N_{Rk,p}$ [kN]	12		17,4	22,9	35,2	49,2	68,8
Increasing factors concrete ψ_c [-]	C25/30	1,12						
	C30/37	1,22						
	C35/45	1,32						
	C40/50	1,41						
	C45/55	1,50						
	C50/60	1,58						
Installation factor γ_{inst} [-]	1,2				1,0			
Concrete cone failure and splitting failure for FZA, FZA HDG, FZA R, FZA HCR								
Effective embedment depth h_{ef} [mm]	40		50	60	80	100	125	
Factor for uncracked concrete $k_{ucr,N}$ [-]	11,0							
Factor for cracked concrete $k_{cr,N}$ [-]	7,7							
Minimum thickness of concrete member h_{min}	100		110	130	160	200	250	
Characteristic spacing $S_{cr,N} = S_{cr,sp}$ [mm]	3 h_{ef}							
Characteristic edge distance $C_{cr,N} = C_{cr,sp}$	1,5 h_{ef}							
Characteristic resistance to splitting $N^0_{Rk,sp}$ [kN]	$\min \{N^0_{Rk,c}; N_{Rk,p}\}^1)$							
1) $N^0_{Rk,c}$ acc. to EN 1992-4:2018								
fischer-ZYKON-Anchor FZA, FZA D, FZA I, FZA ST							Annex C 1	
Performances		Characteristic values of resistance under tension loads for bolt projecting anchor FZA						

Table C2.1: Characteristic values of tension resistance under static and quasi-static action for through bolt anchor FZA D								
Type of anchor / size	FZA D (through bolt anchor)							
	12x50 M8D/10	12x60 M8D/10	12x80 M8D/30	14x80 M10D/20	14x100 M10D/40	18x100 M12D/20	18x130 M12D/50	22x125 M16D/25
Steel failure for FZA D								
Characteristic resistance $N_{RK,s}$ [kN]	29,3		46,4		67,4		125,6	
Partial factor γ_{Ms} [-]	1,5							
Steel failure for FZA D HDG								
Characteristic resistance $N_{RK,s}$ [kN]	25,0		40,7		60,1		115,0	
Partial factor γ_{Ms} [-]	1,5							
Steel failure for FZA D R								
Characteristic resistance $N_{RK,s}$ [kN]	25,6		40,6		59,0		109,9	
Partial factor γ_{Ms} [-]	1,87							
Steel failure for FZA HCR								
Characteristic resistance $N_{RK,s}$ [kN]	25,6		40,6		59,0		109,9	
Partial factor γ_{Ms} [-]	1,5							
Modulus of elasticity E_s [N/mm ²]	210.000							
Pullout failure for FZA D, FZA D HDG, FZA D R, FZA D HCR								
Characteristic resistance in concrete C20/25	cracked	6	9	12	24	40		
	uncracked	12	17,4	22,9	35,2	49,2		
Increasing factors concrete	ψ_c			1,12				
	C25/30			1,22				
	C30/37			1,32				
	C35/45			1,41				
	C40/50			1,50				
	C45/55			1,58				
C50/60								
Installation factor γ_{inst} [-]	1,2	1,0						
Concrete cone failure and splitting failure for FZA D, FZA D HDG, FZA D R, FZA D HCR								
Effective embedment depth h_{ef} [mm]	40	50	60	80	100			
Factor for uncracked concrete $k_{ucr,N}$ [-]	11,0							
Factor for cracked concrete $k_{cr,N}$ [-]	7,7							
Minimum thickness of concrete member h_{min}	100	110	130	160	200			
Characteristic spacing $s_{cr,N} = s_{cr,sp}$ [mm]	3 h_{ef}							
Characteristic edge distance $c_{cr,N} = c_{cr,sp}$	1,5 h_{ef}							
Characteristic resistance to splitting $N^0_{RK,sp}$ [kN]	$\min \{N^0_{RK,c}; N_{RK,p}\}^1$							
1) $N^0_{RK,c}$ acc. to EN 1992-4:2018								
fischer-ZYKON-Anchor FZA, FZA D, FZA I, FZA ST							Annex C 2	
Performances Characteristic values of resistance under tension loads for through bolt anchor FZA D								

Table C3.1: Characteristic values of **tension** resistance under static and quasi-static action for **internal thread anchor FZA I**

Type of anchor / size			FZA I (internal thread anchor)					
			12x40 M6 I	12x50 M6 I	14x60 M8 I	18x80 M10 I	22x100 M12 I	22x125 M12 I
Steel failure for FZA I ¹⁾								
Characteristic resistance	$N_{Rk,s}$	[kN]	21,7	28,7	37,4	84,2		
Partial factor	γ_{Ms}	[-]	1,5					
Steel failure for FZA I R ¹⁾								
Characteristic resistance	$N_{Rk,s}$	[kN]	22,2	26,8	34,9	61,7		
Partial factor	γ_{Ms}	[-]	1,5					
Steel failure for FZA I HCR ¹⁾								
Characteristic resistance	$N_{Rk,s}$	[kN]	19,4	26,8	34,9	78,5		
Partial factor	γ_{Ms}	[-]	1,5					
Modulus of elasticity	E_s	[N/mm ²]	210.000					
Pullout failure for FZA I, FZA I R, FZA I HCR								
Characteristic resistance in concrete C20/25	cracked	$N_{Rk,p}$	[kN]	6	9	12	24	40
				uncracked	12	17,4	22,9	35,2
Increasing factors concrete	ψ_c	[-]	C25/30	1,12				
			C30/37	1,22				
			C35/45	1,32				
			C40/50	1,41				
			C45/55	1,50				
			C50/60	1,58				
Installation factor	γ_{inst}	[-]	1,2	1,0				
Concrete cone failure and splitting failure for FZA I, FZA I R, FZA I HCR								
Effective embedment depth	h_{ef}	[mm]	40	50	60	80	100	125
Factor for uncracked concrete	$k_{ucr,N}$	[-]	11,0					
Factor for cracked concrete	$k_{cr,N}$		7,7					
Min. thickness of concrete member	h_{min}		100	110	130	160	200	250
Characteristic spacing	$s_{cr,N} = s_{cr,sp}$	[mm]	3 h_{ef}					
Characteristic edge distance	$c_{cr,N} = c_{cr,sp}$		1,5 h_{ef}					
Characteristic resistance to splitting	$N^0_{Rk,sp}$	[kN]	$\min \{N^0_{Rk,c}; N_{Rk,p}\}^2$					

¹⁾ The characteristic resistances against steel failure for screws or threaded rods must be designed additionally from the construction site - these values could become decisive

²⁾ $N^0_{Rk,c}$ acc. to EN 1992-4:2018

fischer-ZYKON-Anchor FZA, FZA D, FZA I, FZA ST

Performances

Characteristic values of resistance under tension loads for internal thread anchor FZA I

Annex C 3

Table C4.1: Characteristic values of shear resistance under static and quasi-static action for bolt projecting anchor FZA, FZA ST									
Type of anchor / size	FZA (bolt projecting anchor)								
	10x40 M6	12x40 12x40 ST M8	14x40 14x40 ST M10	12x50 M8	14x60 14x60 ST M10	18x80 M12	22x100 M16	22x125 M16	
Steel failure without lever arm FZA, FZA HDG									
Characteristic resistance	$V_{RK,s}^0$ [kN]	8,8	16,1	25,5	16,1	25,5	37,1	69,1	
Partial factor	γ_{Ms} [-]	1,25							
Factor for ductility	k_7 [-]	1,0							
Steel failure with lever arm FZA, FZA HDG									
Characteristic bending resistance	$M_{RK,s}^0$ [Nm]	12,2	30,0	59,8	30,0	59,8	104,8	266,4	
Partial factor	γ_{Ms} [-]	1,25							
Factor for ductility	k_7 [-]	1,0							
Steel failure without lever arm FZA R									
Characteristic resistance	$V_{RK,s}^0$ [kN]	9,2	16,7	26,4	16,7	26,4	38,4	76,9	
Partial factor	γ_{Ms} [-]	1,56							
Factor for ductility	k_7 [-]	1,0							
Steel failure with lever arm FZA R									
Characteristic bending resistance	$M_{RK,s}^0$ [Nm]	10,7	26,2	52,3	26,2	52,3	91,7	233,1	
Partial factor	γ_{Ms} [-]	1,56							
Factor for ductility	k_7 [-]	1,0							
Steel failure without lever arm FZA HCR									
Characteristic resistance	$V_{RK,s}^0$ [kN]	9,2	16,7	26,4	16,7	26,4	38,4	76,9	
Partial factor	γ_{Ms} [-]	1,25							
Factor for ductility	k_7 [-]	1,0							
Steel failure with lever arm FZA HCR									
Characteristic bending resistance	$M_{RK,s}^0$ [Nm]	10,7	26,2	52,3	26,2	52,3	91,7	233,1	
Partial factor	γ_{Ms} [-]	1,25							
Factor for ductility	k_7 [-]	1,0							
Concrete pryout failure FZA, FZA HDG, FZA R, FZA HCR									
Factor for pryout failure	k_8 [-]	1,3	2,4	1,3	3,1				
Concrete edge failure									
Effective length in concrete	l_f [mm]	40			50	60	80	100	125
Effective diameter of anchor	d_{nom}	10	12	14	12	14	18	22	
Installation factor	γ_{inst} [-]	1,0							
fischer-ZYKON-Anchor FZA, FZA D, FZA I, FZA ST							Annex C 4		
Performances Characteristic values of resistance under shear loads for bolt projecting anchor FZA									

Table C5.1: Characteristic values of shear resistance under static and quasi-static action for through bolt anchor FZA D

Type of anchor / size	FZA D (through bolt anchor)							
	12x50 M8D/ 10	12x60 M8D/ 10	12x80 M8D/ 30	14x80 M10D/ 20	14x100 M10D/ 40	18x100 M12D/ 20	18x130 M12D/ 50	22x125 M16D/ 25
Steel failure without lever arm FZA D, FZA D HDG								
Characteristic resistance	$V_{0RK,s}^0$ [kN]	26,2		41,4		64,9		104,8
Partial factor	γ_{Ms} [-]	1,26						
Factor for ductility	k_7 [-]	1,0						
Steel failure with lever arm FZA D, FZA D HDG								
Characteristic bending resistance	$M_{0RK,s}^0$ [Nm]	30,0		59,8		104,8		266,4
Partial factor	γ_{Ms} [-]	1,25						
Factor for ductility	k_7 [-]	1,0						
Steel failure without lever arm FZA D R								
Characteristic resistance	$V_{0RK,s}^0$ [kN]	30,4		43,2		88,3		141,0
Partial factor	γ_{Ms} [-]	1,96		1,92		1,56		
Factor for ductility	k_7 [-]	1,0						
Steel failure with lever arm FZA D R								
Characteristic bending resistance	$M_{0RK,s}^0$ [Nm]	26,2		52,3		91,7		233,1
Partial factor	γ_{Ms} [-]	1,56						
Factor for ductility	k_7 [-]	1,0						
Steel failure without lever arm FZA D HCR								
Characteristic resistance	$V_{0RK,s}^0$ [kN]	30,4		43,2		88,3		141,0
Partial factor	γ_{Ms} [-]	1,85		1,79		1,44		1,46
Factor for ductility	k_7 [-]	1,0						
Steel failure with lever arm FZA D HCR								
Characteristic bending resistance	$M_{0RK,s}^0$ [Nm]	26,2		52,3		91,7		233,1
Partial factor	γ_{Ms} [-]	1,25						
Factor for ductility	k_7 [-]	1,0						
Concrete pryout failure FZA D, FZA D HDG, FZA D R, FZA D HCR								
Factor for pryout failure	k_8 [-]	1,3		3,1				
Concrete edge failure								
Effective length in concrete	l_f [mm]	40	50	60	80	100		
Effective diameter of anchor	d_{nom}	12		14		18		22
Installation factor	γ_{inst} [-]	1,0						
fischer-ZYKON-Anchor FZA, FZA D, FZA I, FZA ST								Annex C 5
Performances Characteristic values of resistance under shear loads for through bolt anchor FZA D								

Table C6.1: Characteristic values of **shear** resistance under static and quasi-static action for **internal thread anchor FZA I**

Type of anchor / size	FZA I (internal thread anchor)							
	12x40 M6 I	12x50 M6 I	14x60 M8 I	18x80 M10 I	22x100 M12 I	22x125 M12 I		
Steel failure without lever arm FZA I ¹⁾								
Characteristic resistance	$V_{Rk,s}$	[kN]	11,9	15,8	20,6	46,3		
Partial factor	γ_{Ms}	[-]	1,25					
Factor for ductility	k_7		1,0					
Steel failure with lever arm FZA I ¹⁾								
Characteristic bending resistance	$M_{Rk,s}^0$	[Nm]	19,3	30,1	44,7	150,9		
Partial factor	γ_{Ms}	[-]	1,25					
Factor for ductility	k_7		1,0					
Steel failure without lever arm FZA I R ¹⁾								
Characteristic resistance	$V_{Rk,s}$	[kN]	14,4	17,4	22,7	43,2		
Partial factor	γ_{Ms}	[-]	1,25					
Factor for ductility	k_7		1,0					
Steel failure with lever arm FZA I R ¹⁾								
Characteristic bending resistance	$M_{Rk,s}^0$	[Nm]	19,8	28,1	41,7	110,7		
Partial factor	γ_{Ms}	[-]	1,25					
Factor for ductility	k_7		1,0					
Steel failure without lever arm FZA I HCR ¹⁾								
Characteristic resistance	$V_{Rk,s}$	[kN]	12,6	17,4	22,7	55,0		
Partial factor	γ_{Ms}	[-]	1,25					
Factor for ductility	k_7		1,0					
Steel failure with lever arm FZA I HCR ¹⁾								
Characteristic bending resistance	$M_{Rk,s}^0$	[Nm]	17,3	28,1	41,7	140,8		
Partial factor	γ_{Ms}	[-]	1,25					
Factor for ductility	k_7		1,0					
Concrete pryout failure FZA I, FZA I R, FZA I HCR								
Factor for pryout failure	k_8	[-]	1,3	3,1				
Concrete edge failure								
Effective length in concrete	l_f	[mm]	40	50	60	80	100	125
Effective diameter of anchor	d_{nom}		12	14	18	22		
Installation factor	γ_{inst}	[-]	1,0					

¹⁾ The characteristic resistances against steel failure for screws or threaded rods must be designed additionally from the construction site - these values often become decisive

fischer-ZYKON-Anchor FZA, FZA D, FZA I, FZA ST

Performances
Characteristic values of resistance under shear loads for internal thread anchor FZA I

Annex C 6

Table C7.1: Minimum thickness of concrete members, minimum spacings and minimum edge distances of bolt projecting anchor FZA, FZA ST

Type of fastener	FZA (bolt projecting anchor)							
	10x40 M6	12x40 12x40 ST M8	14x40 14x40 ST M10	12x50 M8	14x60 14x60 ST M10	18x80 M12	22x100 M16	22x125 M16
Minimum spacing s_{min}	40		70	50	60	80	100	125
Minimum edge distance c_{min} [mm]	35	40		45	55	70		
Minimum thickness of concrete member h_{min}	100			110	130	160	200	250

Table C7.2: Minimum thickness of concrete members, minimum spacings and minimum edge distances of through bolt anchor FZA D

Type of fastener	FZA D (through bolt anchor)							
	12x50 M8 D/10	12x60 M8 D/10	12x80 M8 D/30	14x80 M10 D/20	14x100 M10 D/40	18x100 M12 D/20	18x130 M12 D/50	22x125 M16 D/25
Minimum spacing s_{min}	40	50		60		80		100
Minimum edge distance c_{min} [mm]	35	45		55		70		
Minimum thickness of concrete member h_{min}	100	110		130		160		200

Table C7.3: Minimum thickness of concrete members, minimum spacings and minimum edge distances of internal thread anchor FZA I

Type of fastener	FZA (internal thread anchor)						
	12x40 M6 I	12x50 M6 I	14x60 M8 I	18x80 M10 I	22x100 M12 I	22x125 M12 I	
Minimum spacing s_{min}	40	50	60	80	100	125	
Minimum edge distance c_{min} [mm]	35	45	55	70			
Minimum thickness of concrete member h_{min}	100	110	130	160	200	250	

fischer-ZYKON-Anchor FZA, FZA D, FZA I, FZA ST

Performances
Minimum thickness of concrete members, minimum spacings and minimum edge distances

Annex C 7

Table C8.1: Characteristic values for seismic performance category C1 for bolt projecting anchor FZA					
Type of anchor / size	FZA (bolt projecting anchor)				
	14x40 M10	14x60 M10	18x80 M12	22x100 M16	22x125 M16
Steel failure FZA					
Characteristic resistance	$N_{Rk,s,C1}$ [kN]	46,4	67,4	126	
Partial factor	$\gamma_{Ms,C1}$ [-]	1,5			
Steel failure FZA HDG					
Characteristic resistance	$N_{Rk,s,C1}$ [kN]	40,7	60,1	115	
Partial factor	$\gamma_{Ms,C1}$ [-]	1,5			
Steel failure FZA R					
Characteristic resistance	$N_{Rk,s,C1}$ [kN]	40,6	59,0	110	
Partial factor	$\gamma_{Ms,C1}$ [-]	1,87			
Steel failure FZA HCR					
Characteristic resistance	$N_{Rk,s,C1}$ [kN]	40,6	59,0	110	
Partial factor	$\gamma_{Ms,C1}$ [-]	1,5			
Pullout failure					
Characteristic resistance in cracked concrete	$N_{Rk,p,C1}$ [kN]	6,0	20,0	40,0	
Installation factor	γ_{inst} [-]	1,2	1,0		
Steel failure without lever arm FZA, FZA HDG					
Characteristic resistance	$V_{Rk,s,C1}$ [kN]	20,9	33,8	62,8	
Partial factor	$\gamma_{Ms,C1}$ [-]	1,25			
Steel failure without lever arm FZA R					
Characteristic resistance	$V_{Rk,s,C1}$ [kN]	18,3	29,5	55,0	
Partial factor	$\gamma_{Ms,C1}$ [-]	1,56			
Steel failure without lever arm FZA HCR					
Characteristic resistance	$V_{Rk,s,C1}$ [kN]	18,3	29,5	55,0	
Partial factor	$\gamma_{Ms,C1}$ [-]	1,25			
Factor for anchorages	α_{gap} [-]	with annular gap		0,5	
		without annular gap		1,0	
fischer-ZYKON-Anchor FZA, FZA D, FZA I, FZA ST					Annex C 8
Performances Characteristic values for seismic performance category C1 for bolt projecting anchor FZA					

Table C9.1: Characteristic values for seismic performance category C1 for through bolt anchor FZA D					
Type of anchor / size	FZA D (through bolt anchor)				
	14x80 M10D/20	14x100 M10D/40	18x100 M12D/20	18x130 M12D/50	22x125 M16D/25
Steel failure FZA D					
Characteristic resistance	$N_{Rk,s,C1}$ [kN]	46,4		67,4	126
Partial factor	$\gamma_{Ms,C1}$ [-]			1,5	
Steel failure FZA D HDG					
Characteristic resistance	$N_{Rk,s,C1}$ [kN]	40,7		60,1	115
Partial factor	$\gamma_{Ms,C1}$ [-]			1,5	
Steel failure FZA D R					
Characteristic resistance	$N_{Rk,s,C1}$ [kN]	40,6		59,0	110
Partial factor	$\gamma_{Ms,C1}$ [-]			1,87	
Steel failure FZA D HCR					
Characteristic resistance	$N_{Rk,s,C1}$ [kN]	40,6		59,0	110
Partial factor	$\gamma_{Ms,C1}$ [-]			1,5	
Pullout failure					
Characteristic resistance in cracked concrete	$N_{Rk,p,C1}$ [kN]	6,0		20,0	40,0
Installation factor	γ_{inst} [-]			1,0	
Steel failure without lever arm FZA D, FZA D HDG					
Characteristic resistance	$V_{Rk,s,C1}$ [kN]	20,9		33,8	62,8
Partial factor	$\gamma_{Ms,C1}$ [-]			1,25	
Steel failure without lever arm FZA D R					
Characteristic resistance	$V_{Rk,s,C1}$ [kN]	18,3		29,5	55,0
Partial factor	$\gamma_{Ms,C1}$ [-]			1,56	
Steel failure without lever arm FZA D HCR					
Characteristic resistance	$V_{Rk,s,C1}$ [kN]	18,3		29,5	55,0
Partial factor	$\gamma_{Ms,C1}$ [-]			1,25	
Factor for anchorages	α_{gap} [-]			0,5	
				1,0	
fischer-ZYKON-Anchor FZA, FZA D, FZA I, FZA ST					Annex C 9
Performances Characteristic values for seismic performance category C1 for through bolt anchor FZA D					

Table C10.1: Characteristic values for seismic performance category C2 for bolt projecting anchor FZA

Type of anchor / size	FZA (bolt projecting anchor)					
	14x40 M10 / t _{fix}	14x60 M10 / t _{fix}	18x80 M12 / t _{fix}	22x100 M16 / t _{fix}	22x125 M16 / t _{fix}	
Steel failure FZA						
Characteristic resistance	N _{RR,s,C2} [kN]	46,4	67,4	126,0		
Partial factor	γ _{Ms,C2} [-]	1,50				
Steel failure FZA HDG						
Characteristic resistance	N _{RR,s,C2} [kN]	40,7	60,1	115,0		
Partial factor	γ _{Ms,C2} [-]	1,50				
Steel failure FZA R						
Characteristic resistance	N _{RR,s,C2} [kN]	40,6	59,0	110,0		
Partial factor	γ _{Ms,C2} [-]	1,87				
Steel failure FZA HCR						
Characteristic resistance	N _{RR,s,C2} [kN]	40,6	59,0	110,0		
Partial factor	γ _{Ms,C2} [-]	1,50				
Pullout failure						
Characteristic resistance in cracked concrete	N _{RR,p,C2} [kN]	6,0	7,5	24,0	25,0	40,0
Installation factor	γ _{inst} [-]	1,2	1,0			
Steel failure without lever arm FZA, FZA HDG						
Characteristic resistance	V _{RR,s,C2} [kN]	15,6	24,5	47,0		
Partial factor	γ _{Ms,C2} [-]	1,25				
Steel failure without lever arm FZA R						
Characteristic resistance	V _{RR,s,C2} [kN]	16,1	25,3	52,3		
Partial factor	γ _{Ms,C2} [-]	1,56				
Steel failure without lever arm FZA HCR						
Characteristic resistance	V _{RR,s,C2} [kN]	16,1	25,3	52,3		
Partial factor	γ _{Ms,C2} [-]	1,25				
Factor for anchorages	<u>with annular gap</u> without annular gap	α _{gap} [-]	0,5			
			1,0			
fischer-ZYKON-Anchor FZA, FZA D, FZA I, FZA ST					Annex C 10	
Performances Characteristic values for seismic performance category C2 for bolt projecting anchor FZA						

Table C11.1: Characteristic values for seismic performance category C2 for through bolt anchor FZA D						
Type of anchor / size	FZA D (through bolt anchor)					
	14x80 M10D/20	14x100 M10D/40	18x100 M12D/20	18x130 M12D/50	22x125 M16D/25	
Steel failure FZA D						
Characteristic resistance	$N_{Rk,s,C2}$ [kN]	46,4		67,4	126,0	
Partial factor	$\gamma_{Ms,C2}$ [-]	1,50				
Steel failure FZA D, FZA HDG						
Characteristic resistance	$N_{Rk,s,C2}$ [kN]	40,7		60,1	115,0	
Partial factor	$\gamma_{Ms,C2}$ [-]	1,50				
Steel failure FZA D R						
Characteristic resistance	$N_{Rk,s,C2}$ [kN]	40,6		59,0	110,0	
Partial factor	$\gamma_{Ms,C2}$ [-]	1,87				
Steel failure FZA D HCR						
Characteristic resistance	$N_{Rk,s,C2}$ [kN]	40,6		59,0	110,0	
Partial factor	$\gamma_{Ms,C2}$ [-]	1,50				
Pullout failure						
Characteristic resistance in cracked concrete	$N_{Rk,p,C2}$ [kN]	6,0	7,5	24,0	25,0	40,0
Installation factor	γ_{inst} [-]	1,0				
Steel failure without lever arm FZA D, FZA D HDG						
Characteristic resistance	$V_{Rk,s,C2}$ [kN]	15,6		24,5	47,0	
Partial factor	$\gamma_{Ms,C2}$ [-]	1,25				
Steel failure without lever arm FZA D R						
Characteristic resistance	$V_{Rk,s,C2}$ [kN]	16,1		25,3	52,3	
Partial factor	$\gamma_{Ms,C2}$ [-]	1,56				
Steel failure without lever arm FZA D HCR						
Characteristic resistance	$V_{Rk,s,C2}$ [kN]	16,1		25,3	52,3	
Partial factor	$\gamma_{Ms,C2}$ [-]	1,25				
Factor for anchorages	α_{gap} [-]	with annular gap		0,5		
		without annular gap		1,0		
fischer-ZYKON-Anchor FZA, FZA D, FZA I, FZA ST					Annex C 11	
Performances Characteristic values for seismic performance category C2 for through bolt anchor FZA D						

Table C12.1: Characteristic values for resistance to fire¹⁾					
FZA, FZA HDG		10x40 M6 12x40 M6 I 12x50 M6 I	12x40 M8 12x40 ST M8 12x50 M8 D/10	12x50 M8 12x60 M8 D/10 12x80 M8 D/30 14x60 M8 I 18x80 M10 I	14x40 M10 14x40 ST M10
Steel failure for tension load and shear load ($F_{Rk,s,fi} = N_{Rk,s,fi} = V_{Rk,s,fi}$)					
Characteristic resistance	$F_{Rk,s,fi}$ [kN]	R30	1,2	2,2	5,2
		R60	0,7	1,3	2,6
		R90	0,5	1,0	1,8
		R120		0,8	1,3
	$M^0_{Rk,s,fi}$ [Nm]	R30	0,9	2,3	6,7
		R60	0,5	1,3	3,4
		R90	0,4	1,0	2,3
		R120		0,9	1,7
Pullout failure					
Characteristic resistance	$N_{Rk,p,fi}$ [kN]	R30	1,5	2,3	1,5
		R60			
		R90			
		R120	1,2	1,8	1,2
FZA, FZA HDG		14x60 M10 14x60 ST M10 14x80 M10 D/20 14x100 M10 D/40	18x80 M12 18x100 M12 D/20 18x130 M12 D/50 22x100 M12 I 22x125 M12 I	22x100 M16 22x125 M16 D/25	22x125 M16
Steel failure for tension load and shear load ($F_{Rk,s,fi} = N_{Rk,s,fi} = V_{Rk,s,fi}$)					
Characteristic resistance	$F_{Rk,s,fi}$ [kN]	R30	5,2	7,5	13,9
		R60	2,6	3,8	7,0
		R90	1,8	2,5	4,7
		R120	1,3	1,9	3,6
	$M^0_{Rk,s,fi}$ [Nm]	R30	6,7	11,6	29,5
		R60	3,4	5,9	14,9
		R90	2,3	4,0	10,0
		R120	1,7	3,0	7,6
Pullout failure					
Characteristic resistance	$N_{Rk,p,fi}$ [kN]	R30	3,0	5,0	10,0
		R60			
		R90			
		R120	2,4	4,0	8,0
Edge distance (for all anchor variants and sizes)					
R30 to R120	$c_{cr,fi}$ [mm]	-	$2 \cdot h_{ef}$		
In case of fire attack from more than one site, the minimum edge distance shall be ≥ 300 mm					
Spacing (for all anchor variants and sizes)					
R30 to R120	$s_{cr,fi}$ [mm]	-	$2 \cdot c_{cr,fi}$		
¹⁾ The embedment depth has to be increased for wet concrete by at least 30 mm compared to the given value					
fischer-ZYKON-Anchor FZA, FZA D, FZA I, FZA ST				Annex C 12	
Performances Characteristic values for resistance to fire					

Table C13.1: Characteristic values for resistance to fire¹⁾					
FZA R, FZA HCR		10x40 M6 12x40 M6 I 12x50 M6 I	12x40 M8 12x40 ST M8 12x50 M8 D/10	12x50 M8 12x60 M8 D/10 12x80 M8 D/30 14x60 M8 I 18x80 M10 I	14x40 M10 14x40 ST M10
Steel failure for tension load and shear load ($F_{Rk,s,fi} = N_{Rk,s,fi} = V_{Rk,s,fi}$)					
Characteristic resistance	$F_{Rk,s,fi}$ [kN]	R30	2,0	3,6	5,7
		R60	1,2	2,3	3,6
		R90	0,9	1,9	3,0
		R120	0,7	1,6	2,6
	$M^0_{Rk,s,fi}$ [Nm]	R30	1,5	3,7	7,4
		R60	0,9	2,4	4,7
		R90	0,7	1,9	3,8
		R120	0,5	1,7	3,4
Pullout failure					
Characteristic resistance	$N_{Rk,p,fi}$ [kN]	R30	1,5	2,3	1,5
		R60			
		R90			
		R120			
FZA R, FZA HCR		14x60 M10 14x60 ST M10 14x80 M10 D/20 14x100 M10 D/40	18x80 M12 18x100 M12 D/20 18x130 M12 D/50 22x100 M12 I 22x125 M12 I	22x100 M16 22x125 M16 D/25	22x125 M16
Steel failure for tension load and shear load ($F_{Rk,s,fi} = N_{Rk,s,fi} = V_{Rk,s,fi}$)					
Characteristic resistance	$F_{Rk,s,fi}$ [kN]	R30	5,7	11,8	22,0
		R60	3,6	7,0	13,1
		R90	3,0	5,5	10,2
		R120	2,6	4,7	8,7
	$M^0_{Rk,s,fi}$ [Nm]	R30	7,4	18,3	46,6
		R60	4,7	10,9	27,9
		R90	3,8	8,5	21,6
		R120	3,4	7,3	18,5
Pullout failure					
Characteristic resistance	$N_{Rk,p,fi}$ [kN]	R30	3,0	5,0	10,0
		R60			
		R90			
		R120			
Edge distance (for all anchor variants and sizes)					
R30 to R120	$c_{cr,fi}$ [mm]	-	$2 \cdot h_{ef}$		
In case of fire attack from more than one side, the minimum edge distance shall be ≥ 300 mm					
Spacing (for all anchor variants and sizes)					
R30 to R120	$s_{cr,fi}$ [mm]	-	$2 \cdot c_{cr,fi}$		
1) The embedment depth has to be increased for wet concrete by at least 30 mm compared to the given value					
fischer-ZYKON-Anchor FZA, FZA D, FZA I, FZA ST				Annex C 13	
Performances Characteristic values for resistance to fire					

Table C14.1: Displacements due to **tension** loads for **bolt projecting anchor FZA**

Type of fastener / size			FZA (bolt projecting anchor)						
			10x40 M6	12x40 M8	14x40 M10	12x50 M8	14x60 M10	18x80 M12	22x100 M16
Tension load in cracked concrete	N	[kN]	2,0		3,5	5,0	8,0	16,0	
Displacement	$\frac{\delta_{N0}}{\delta_{N\infty}}$	[mm]	0,8						
			1,1						
Tension load in uncracked concrete	N	[kN]	3,3		4,8	7,5	12,7	17,9	
Displacement	$\frac{\delta_{N0}}{\delta_{N\infty}}$	[mm]	0,8						
			1,1						

The displacements do not apply for FZA ST

Table C14.2: Displacements due to **tension** loads for **through bolt anchor FZA D**

Type of fastener / size			FZA D (through bolt anchor)							
			12x50 M8D/ 10	12x60 M8D/ 10	12x80 M8D/ 30	14x80 M10D/ 20	14x100 M10D/ 40	18x100 M12D/ 20	18x130 M12D/ 50	22x125 M16D/ 25
Tension load in cracked concrete	N	[kN]	2,0	3,5		5,0		8,0		16,0
Displacement	$\frac{\delta_{N0}}{\delta_{N\infty}}$	[mm]	0,8							
			1,1							
Tension load in uncracked concrete	N	[kN]	3,3	4,8		7,5		12,7		17,9
Displacement	$\frac{\delta_{N0}}{\delta_{N\infty}}$	[mm]	0,8							
			1,1							

Table C14.3: Displacements due to **tension** loads for **internal thread anchor FZA I**

Type of fastener / size			FZA I (internal thread anchor FZA I)						
			12x40 M6 I	12x50 M6 I	14x60 M8 I	18x80 M10 I	22x100 M12 I	22x125 M12 I	
Tension load in cracked concrete	N	[kN]	2,0	3,5		5,0	8,0	16,0	
Displacement	$\frac{\delta_{N0}}{\delta_{N\infty}}$	[mm]	0,8						
			1,1						
Tension load in uncracked concrete	N	[kN]	3,3	4,8		7,5	12,7	17,9	
Displacement	$\frac{\delta_{N0}}{\delta_{N\infty}}$	[mm]	0,8						
			1,1						

fischer-ZYKON-Anchor FZA, FZA D, FZA I, FZA ST

Performances
Displacements due to tension loads

Annex C 14

Table C15.1: Displacements due to shear loads for bolt projecting anchor FZA and through bolt anchor FZA D

Type of fastener / size	FZA (bolt projecting anchor) and FZA D (through bolt anchor)								
	10x40 M6	14x40 M10	12x40 M8	12x50 M8	12x50 M8D/10	12x60 M8D/10	12x80 M8D/30	14x80 M10D/20	
Shear load in cracked and uncracked concrete	V [kN]	4,0	9,0	5,0				12,5	
Displacement	$\frac{\delta_{v0}}{\delta_{v\infty}}$ [mm]	2,0	1,9	0,7				1,9	
		3,0	2,8	1,0				2,8	
		14x60 M10	14x100 M10D/ 40	18x80 M12	18x100 M12D/ 20	18x130 M12D/ 50	22x100 M16	22x125 M16	22x125 M16D/ 25
Shear load in cracked and uncracked concrete	V [kN]	12,5	12,5	19,0			30,0		
Displacement	$\frac{\delta_{v0}}{\delta_{v\infty}}$ [mm]	1,9		2,1					
		2,8		3,1					

The displacements do not apply for FZA ST

Table C15.2: Displacements due to shear loads for internal thread anchor FZA I

Type of fastener / size	FZA I (internal thread anchor)					
	12x40 M6 I	12x50 M6 I	14x60 M8 I	18x80 M10 I	22x100 M12 I	22x125 M12 I
Shear load in cracked and Uncracked concrete	V [kN]	5,0		12,5	19,0	30,0
Displacement	$\frac{\delta_{N0}}{\delta_{N\infty}}$ [mm]	0,7		1,9	2,1	
		1,0		2,8	3,1	

Table C15.3: Displacements due to tension and shear loads for seismic performance category C2 for FZA and FZA D

Type of fastener / size	FZA (bolt projecting anchor) and FZA D (through bolt anchor)				
	14x40 M10	14x60 M10 14x80 M10 D 14x100 M10 D	18x80 M12 18x100 M12 D 18x130 M12 D	22x100 M16 22x125 M16 D	22x125 M16
Displacement	$\frac{\delta_{N,C2}(DLS)}{\delta_{N,C2}(ULS)}$ [mm]	3,8	4,7	4,9	
	$\frac{\delta_{N,C2}(ULS)}{\delta_{V,C2}(DLS)}$ [mm]	13,5	12,7	13,1	
	$\frac{\delta_{V,C2}(DLS)}{\delta_{V,C2}(ULS)}$ [mm]	4,3	4,6	5,0	
	$\frac{\delta_{V,C2}(ULS)}{\delta_{V,C2}(ULS)}$ [mm]	6,9	7,0	6,9	

fischer-ZYKON-Anchor FZA, FZA D, FZA I, FZA ST

Performances
Displacements due to shear loads
Displacements due to tension and shear loads for seismic performance category C2

Annex C 15