

Approval body for construction products
and types of construction

Bautechnisches Prüfamt

An institution established by the Federal and
Laender Governments



European Technical Assessment

ETA-17/0991
of 3 June 2022

English translation prepared by DIBt - Original version in German language

General Part

Technical Assessment Body issuing the
European Technical Assessment:

Deutsches Institut für Bautechnik

Trade name of the construction product

ejotherm S1 and ejotherm S1 short

Product family
to which the construction product belongs

Screwed-in plastic anchor for fixing of external thermal
insulation composite systems with rendering in concrete
and masonry

Manufacturer

EJOT SE & Co. KG
Astenbergstraße 21
57319 Bad Berleburg
DEUTSCHLAND

Manufacturing plant

manufacturing plant EJOT 1, 2, 3 and 4

This European Technical Assessment
contains

18 pages including 3 annexes which form an integral part
of this assessment

This European Technical Assessment is
issued in accordance with Regulation (EU)
No 305/2011, on the basis of

EAD 330196-01-0604

This version replaces

ETA-17/0991 issued on 3 December 2021

The European Technical Assessment is issued by the Technical Assessment Body in its official language. Translations of this European Technical Assessment in other languages shall fully correspond to the original issued document and shall be identified as such.

Communication of this European Technical Assessment, including transmission by electronic means, shall be in full. However, partial reproduction may only be made with the written consent of the issuing Technical Assessment Body. Any partial reproduction shall be identified as such.

This European Technical Assessment may be withdrawn by the issuing Technical Assessment Body, in particular pursuant to information by the Commission in accordance with Article 25(3) of Regulation (EU) No 305/2011.

Specific Part

1 Technical description of the product

The screwed-in anchor ejothorm S1 and ejothorm S1 short consists of an anchor sleeve made of polyethylene (virgin material), an anchor plate made of polyethylene (virgin material) and an accompanying specific screw made of polyamide (virgin material).

The product description is given in Annex A.

2 Specification of the intended use in accordance with the applicable European Assessment Document

The performances given in Section 3 are only valid if the anchor is used in compliance with the specifications and conditions given in Annex B.

The verifications and assessment methods on which this European Technical Assessment is based lead to the assumption of a working life of the anchor of at least 25 years. The indications given on the working life cannot be interpreted as a guarantee given by the producer, but are to be regarded only as a means for choosing the right products in relation to the expected economically reasonable working life of the works.

3 Performance of the product and references to the methods used for its assessment

3.1 Safety and accessibility in use (BWR 4)

Essential characteristic	Performance
Characteristic load bearing capacity <ul style="list-style-type: none"> - Characteristic resistance under tension load - Minimum edge distance and spacing 	See Annex C 1 See Annex B 2
Displacements	See Annex C 2
Plate stiffness	See Annex C 2

3.2 Energy economy and heat retention (BWR 6)

Essential characteristic	Performance
Point thermal transmittance	See Annex C 2

4 Assessment and verification of constancy of performance (AVCP) system applied, with reference to its legal base

In accordance with EAD No. 330196-01-0604, the applicable European legal act is: [97/463/EC].

The system to be applied is: 2+

5 Technical details necessary for the implementation of the AVCP system, as provided for in the applicable European Assessment Document

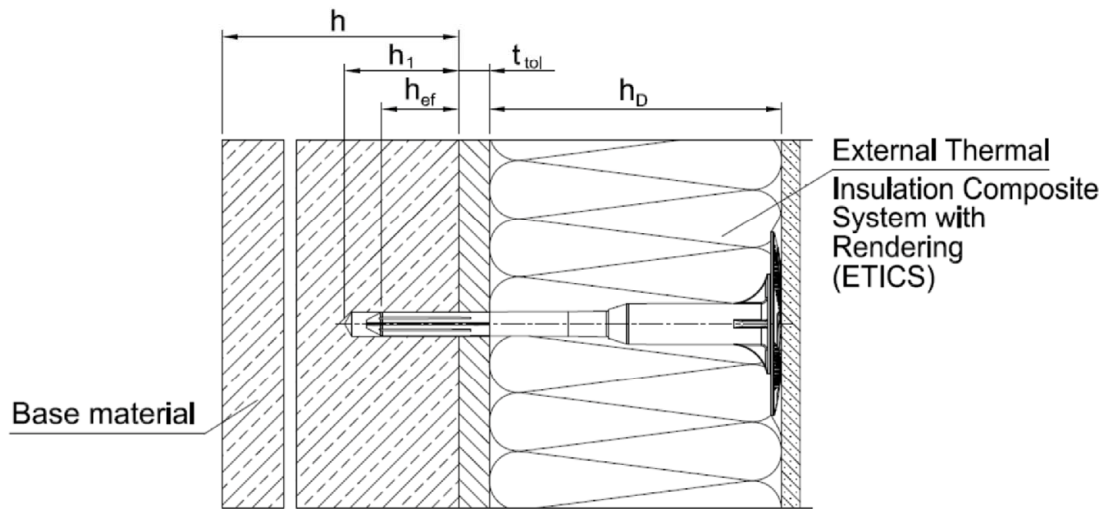
Technical details necessary for the implementation of the AVCP system are laid down in the control plan deposited with Deutsches Institut für Bautechnik.

Issued in Berlin on 3 June 2022 by Deutsches Institut für Bautechnik

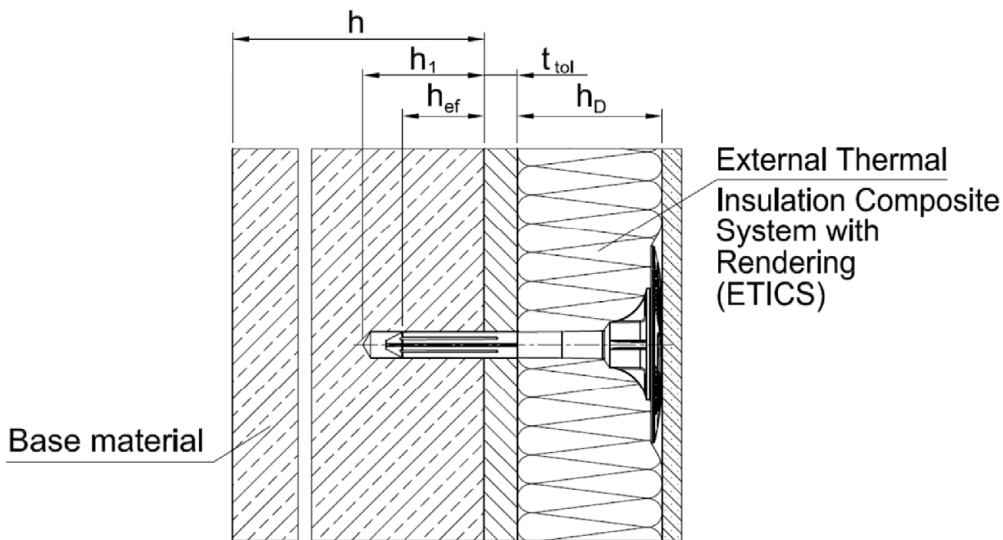
Dipl.-Ing. Beatrix Wittstock
Head of Section

beglaubigt:
Ziegler

ejothem S1



ejothem S1 short



Intended use

- Anchorage of ETICS in concrete and masonry
- Anchorage of ETICS in autoclaved aerated concrete and lightweight aggregate concrete

Legend:

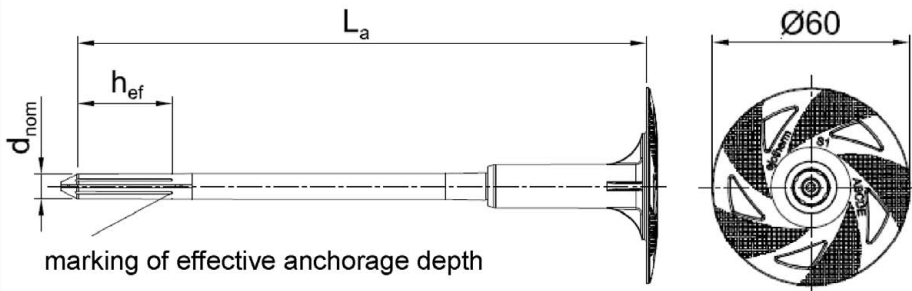
- h_D = thickness of insulation material
- h_{ef} = effective anchorage depth
- h = thickness of member (wall)
- h_1 = depth of drilled hole to deepest point
- t_{tol} = thickness of equalizing layer or non-load-bearing coating

ejothem S1 and ejothem S1 short

Product description
Installed condition

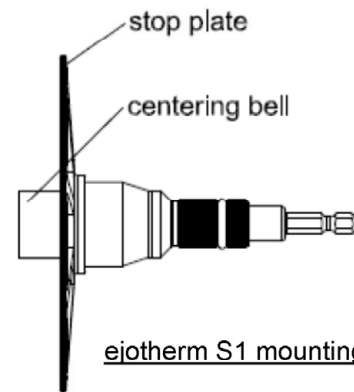
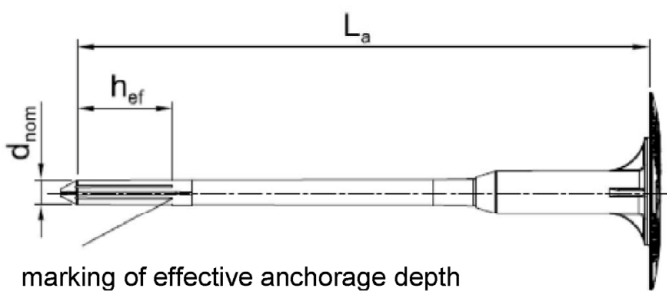
Annex A 1

ejotherm S1 in base material group A, B, C, D – one and two-part anchor sleeve



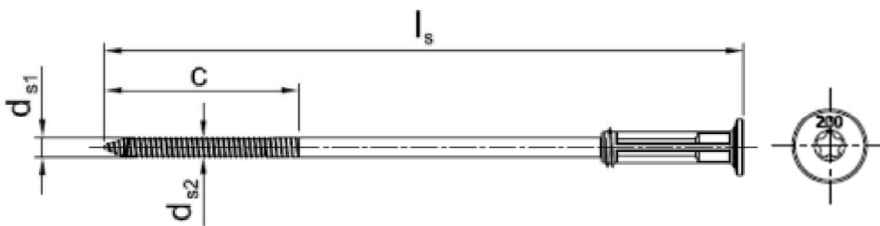
Marking of the anchor sleeve:
Identifying mark (ejotherm)
Anchor type (S1)
Base material group (A, B, C, D, E)
Length of anchor (e.g. 200)

ejotherm S1: one-part anchor sleeve



ejotherm S1 mounting tool

ejotherm S1: two-part anchor sleeve



ejotherm S1: plastic screw

Table A1: Dimensions

Anchor Type	Anchor sleeve			Plastic screw			min l _s max l _s [mm]
	d _{nom} [mm]	h _{ef} [mm]	min L _a max L _a [mm]	d _{s1} [mm]	d _{s2} [mm]	c [mm]	
ejotherm S1 (one-part anchor sleeve)	8	30	100 300	5,7	5,0	55	100 300
ejotherm S1 (two-part anchor sleeve)	8	30	100 300	5,7	5,0	55	100 300

Determination of maximum thickness of insulation h_D [mm] ejotherm S1 (one and two-part anchor sleeve):

$$h_D = L_a - t_{tol} - h_{ef}$$

e.g. $h_D = 200 - 10 - 30$
 $h_{Dmax} = 160$

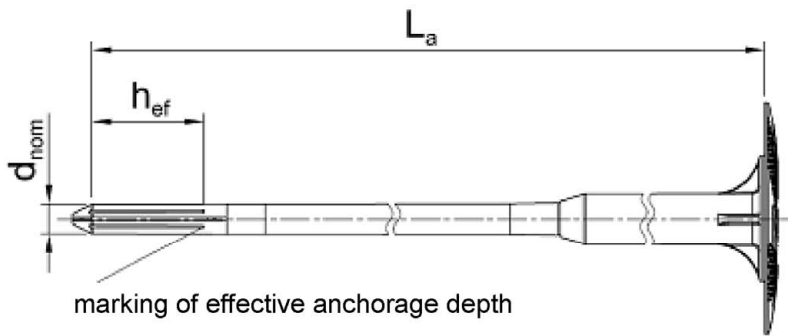
ejotherm S1 and ejotherm S1 short

Product description

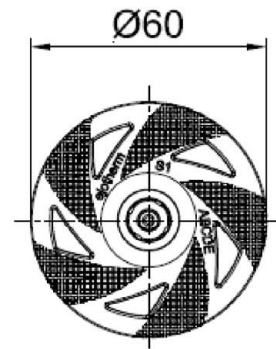
Marking and dimension of the one-part and two-part anchor sleeve from ejotherm S1 base material group: A, B, C, D; plastic screw

Annex A 2

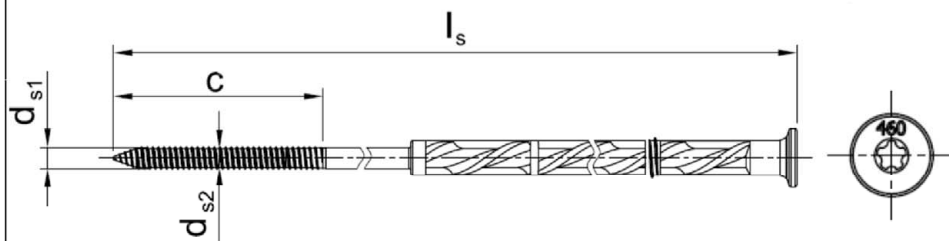
ejotherm S1 in use category A, B, C, D – two-part anchor – large version



marking of effective anchorage depth

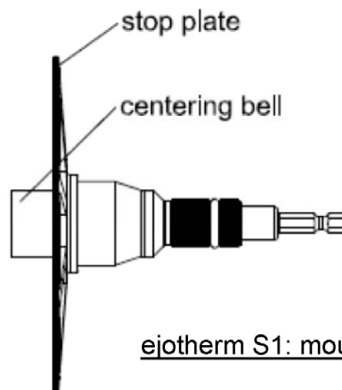


ejotherm S1: two-part anchor sleeve



ejotherm S1: plastic screw

Marking of the anchor sleeve:
Identifying mark (ejotherm)
Anchor type (S1)
Base material group
(A, B, C, D, E)
Length of anchor (e.g. 460)



ejotherm S1: mounting tool

Table A2: Dimensions

Anchor Type	Anchor sleeve			Plastic screw			min l _s max l _s [mm]
	d _{nom} [mm]	h _{ef} [mm]	min L _a max L _a [mm]	d _{s1} [mm]	d _{s2} [mm]	c [mm]	
ejotherm S1 (large version)	8	30	320 460	5,7	5,0	55	320 460

Determination of maximum thickness of insulation h_D [mm] ejotherm S1 (large version):

$$h_D = L_a - t_{tol} - h_{ef}$$

e.g. $h_D = 460 - 10 - 30$
 $h_{Dmax} = 420$

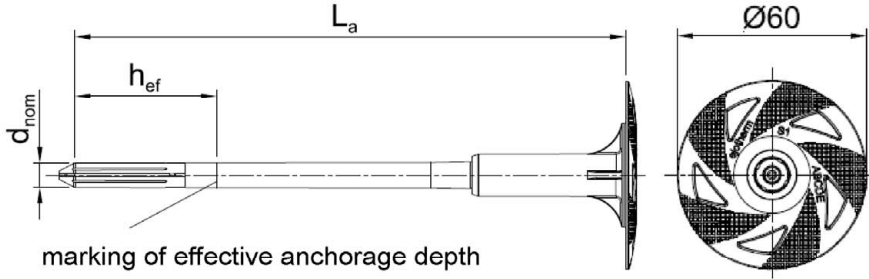
ejotherm S1 and ejotherm S1 short

Product description

Marking and dimension of the two-part anchor sleeve from ejotherm S1 – large version;
base material group: A, B, C, D; plastic screw

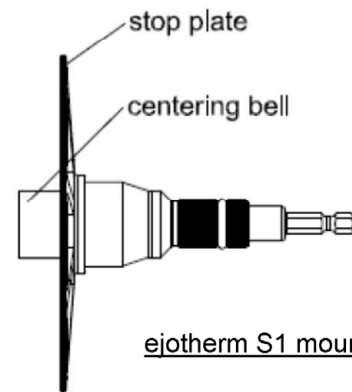
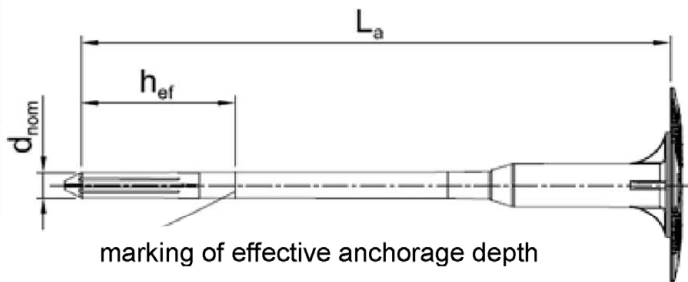
Annex A 3

ejotherm S1 in base material group E – one and two-part anchor sleeve



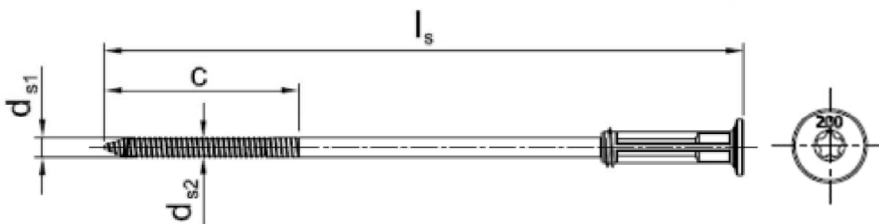
Marking of the anchor sleeve:
Identifying mark (ejotherm)
Anchor type (S1)
Base material group (A, B, C, D, E)
Length of anchor (e.g. 200)

ejotherm S1: one-part anchor sleeve



ejotherm S1 mounting tool

ejotherm S1: two-part anchor sleeve



ejotherm S1: plastic screw

Table A3: Dimensions

Anchor Type	Anchor sleeve			Plastic screw			min l _s max l _s [mm]
	d _{nom} [mm]	h _{ef} [mm]	min L _a max L _a [mm]	d _{s1} [mm]	d _{s2} [mm]	c [mm]	
ejotherm S1 (one-part anchor sleeve)	8	50	100 300	5,7	5,0	55	100 300
ejotherm S1 (two-part anchor sleeve)	8	50	100 300	5,7	5,0	55	100 300

Determination of maximum thickness of insulation h_D [mm] ejotherm S1 (one and two-part anchor sleeve):

$$h_D = L_a - t_{tol} - h_{ef}$$

e.g. $h_D = 200 - 10 - 50$
 $h_{Dmax} = 140$

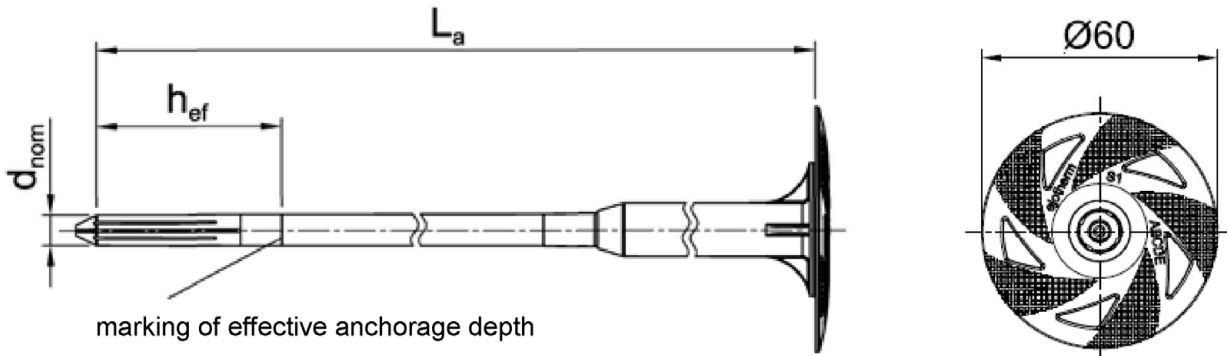
ejotherm S1 and ejotherm S1 short

Product description

Marking and dimension of the one-part and two-part anchor sleeve from ejotherm S1 base material group: E; plastic screw

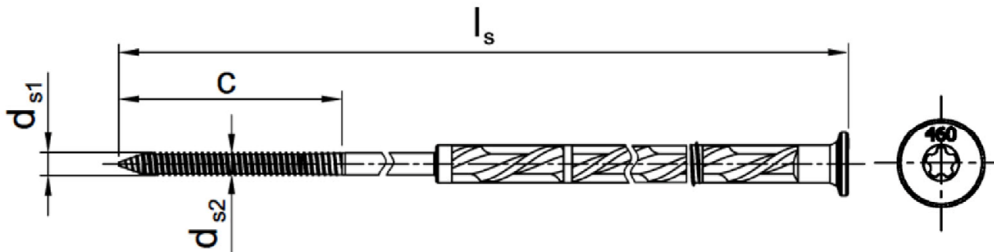
Annex A 4

ejotherm S1 in base material group E – two-part anchor – large version



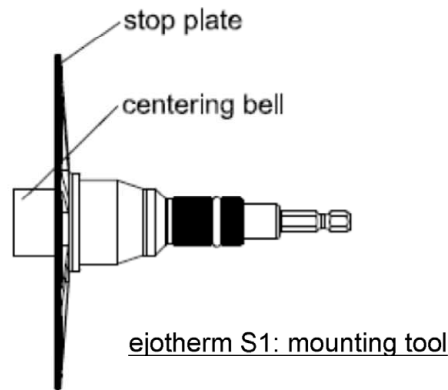
marking of effective anchorage depth

ejotherm S1 (large version): anchor sleeve



ejotherm S1 (large version): plastic screw

Marking of the anchor sleeve:
Identifying mark (ejotherm)
Anchor type (S1)
Base material group
(A, B, C, D, E)
Length of anchor (e.g. 460)



ejotherm S1: mounting tool

Table A4: Dimensions

Anchor Type	Anchor sleeve			Plastic screw			min l _s max l _s [mm]
	d _{nom} [mm]	h _{ef} [mm]	min L _a max L _a [mm]	d _{s1} [mm]	d _{s2} [mm]	c [mm]	
ejotherm S1 (large version)	8	50	320 460	5,7	5,0	55	320 460

Determination of maximum thickness of insulation h_D [mm] ejotherm S1 (large version):

$$h_D = L_a - t_{tol} - h_{ef}$$

e.g. $h_D = 460 - 10 - 50$
 $h_{Dmax} = 400$

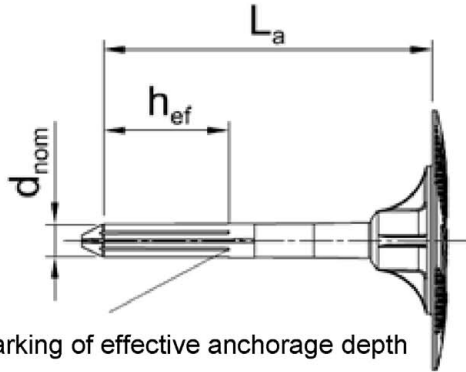
ejotherm S1 and ejotherm S1 short

Product description

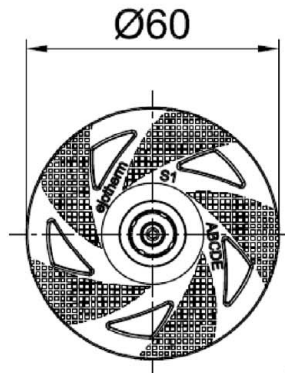
Marking and dimension of the two-part anchor sleeve from ejotherm S1 – large version;
base material group: E; plastic screw

Annex A 5

eiotherm S1 short in base material group A, B, C, D

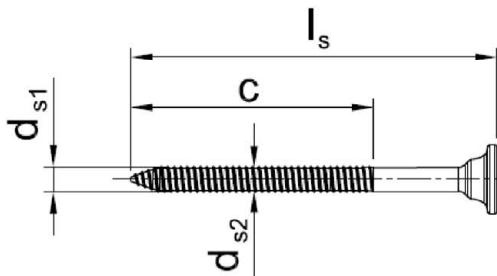


marking of effective anchorage depth

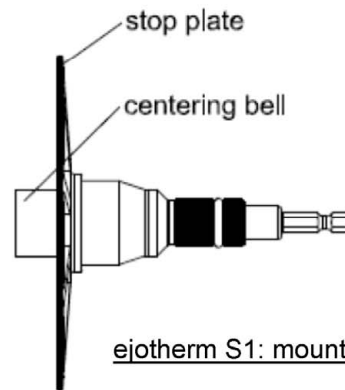


Marking of the anchor sleeve:
Identifying mark (eiotherm)
Anchor type (S1)
Base material group (A, B, C, D, E)
Length of anchor (e.g. 100)
Marking (short)

eiotherm S1 short: anchor sleeve



eiotherm S1 short: plastic screw



eiotherm S1: mounting tool

Table A5: Dimensions

Anchor Type	Anchor sleeve			Plastic screw			min l _s max l _s [mm]
	d _{nom} [mm]	h _{ef} [mm]	min L _a max L _a [mm]	d _{s1} [mm]	d _{s2} [mm]	c [mm]	
eiotherm S1 short	8	30	60 120	5,7	5,0	55	65 125

Determination of maximum thickness of insulation h_D [mm] eiotherm S1 short:

$$h_D = L_a - t_{tol} - h_{ef}$$

e.g. $h_D = 60 - 10 - 30$
 $h_{Dmax} = 20$

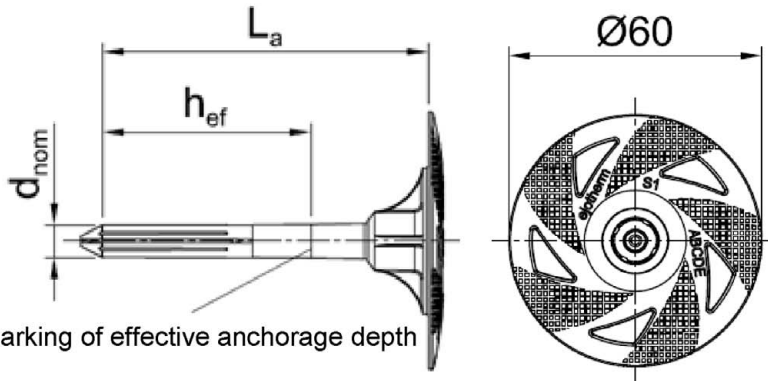
eiotherm S1 and eiotherm S1 short

Product description

Marking and dimension of the anchor sleeve eiotherm S1 short
Base material group: A, B, C, D; plastic screw

Annex A 6

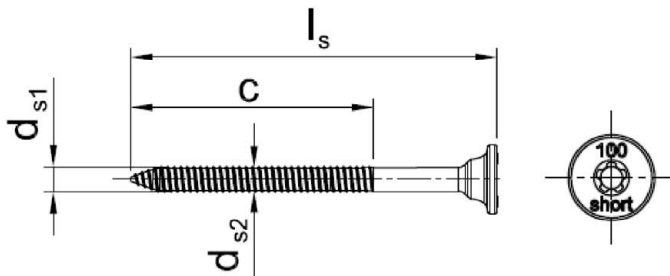
ejothem S1 short in base material group E



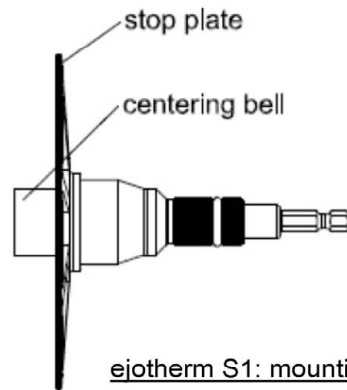
marking of effective anchorage depth

ejothem S1 short: anchor sleeve

Marking of the anchor sleeve:
Identifying mark (ejothem)
Anchor type (S1)
Base material group (A, B, C, D, E)
Length of anchor (e.g. 100)
Marking (short)



ejothem S1: plastic screw



ejothem S1: mounting tool

Table A6: Dimensions

Anchor Type	Anchor sleeve			Plastic screw			
	d_{nom} [mm]	h_{ef} [mm]	min L_a max L_a [mm]	d_{s1} [mm]	d_{s2} [mm]	c [mm]	min l_s max l_s [mm]
ejothem S1 short	8	50	80 120	5,7	5,0	55	85 125

Determination of maximum thickness of insulation h_D [mm] ejothem S1:

$$h_D = L_a - t_{tol} - h_{ef}$$

e.g. $h_D = 80 - 10 - 50$

$$h_{Dmax} = 20$$

ejothem S1 and ejothem S1 short

Product description

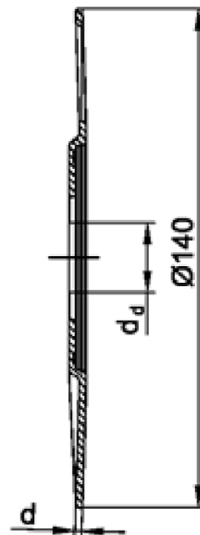
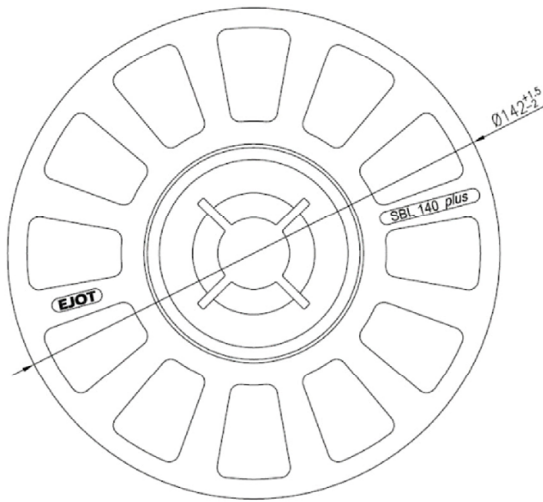
Marking and dimension of the anchor sleeve ejothem S1 short
Base material group: E; plastic screw

Annex A 7

Table A7: Materials ejotherm S1 / ejotherm S1 short

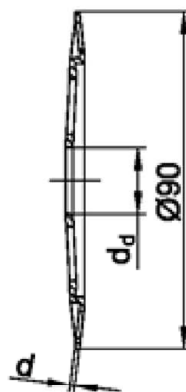
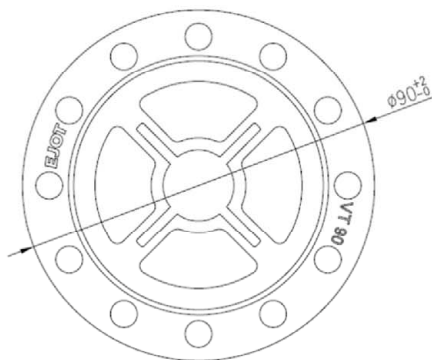
Anchor plate (two-part anchor)	Polyethylene (virgin material) PE-HD colour: nature, yellow, orange, red, blue, grey, white, green, anthracite
Anchor sleeve (two-part anchor)	Polyethylene (virgin material) PE-HD colour: nature, yellow, orange, red, blue, grey, white, green, anthracite
Anchor (one-part)	Polyethylene (virgin material) PE-HD colour: nature, yellow, orange, red, blue, grey, white, green, anthracite
Plastic screw	Polyamide (virgin material) PA 6 GF 50 colour: nature, black
Slip-on plate	Polyamide (virgin material) PA 6 or PA 6 GF 50 colour: nature

SBL 140 plus



SBL 140 plus	
d _d [mm]	21,0
d [mm]	2,0

VT 90



VT 90	
d _d [mm]	18,5
d [mm]	1,2

ejotherm S1 and ejotherm S1 short

Product description
Materials and slip on plates combined with ejotherm S1 and ejotherm S1 short

Annex A 8

Specifications of intended use

Anchorage subject to:

- The anchor may only be used for transmission of wind suction loads and shall not be used for the transmission of dead loads of the thermal insulation composite system.

Base materials:

- Compacted normal weight concrete without fibres (base material group A) according to Annex C 1.
- Solid masonry (base material group B), according to Annex C 1.
- Hollow or perforated masonry (base material group C), according to Annex C 1.
- Prefabricated reinforced components of lightweight aggregate concrete (LAC) (base material group D), according to Annex C 1.
- Autoclaved aerated concrete (base material group E), according to Annex C 1.
- For other base materials of base material groups A, B, C, D or E the characteristic resistance of the anchor may be determined by job site tests in accordance with EOTA Technical Report TR 51 edition April 2018.

Temperature Range:

- 0°C to +40°C (max. short term temperature +40°C and max. long term temperature +24°C)

Design:

- The anchorages are designed under the responsibility of an engineer experienced in accordance and masonry work with the partial safety factors $\gamma_M = 2,0$ and $\gamma_F = 1,5$ if there are no other regulations.
- Verifiable calculation notes and drawings are prepared taking account of the loads to be anchored. The position of the anchor is indicated on the design drawings.
- Fasteners are only to be used for multiple fixings of thermal insulation composite systems.

Installation:

- Hole drilling by the drill modes according to Annex C 1.
- Anchor installation carried out by appropriately qualified personnel and under the supervision of the person responsible for technical matters of the site.
- Installation temperature from 0°C to +40°C
- Exposure to UV due to solar radiation of the anchor not protected by rendering ≤ 6 weeks

ejotherm S1 and ejotherm S1 short

**Intended use
Specifications**

Annex B 1

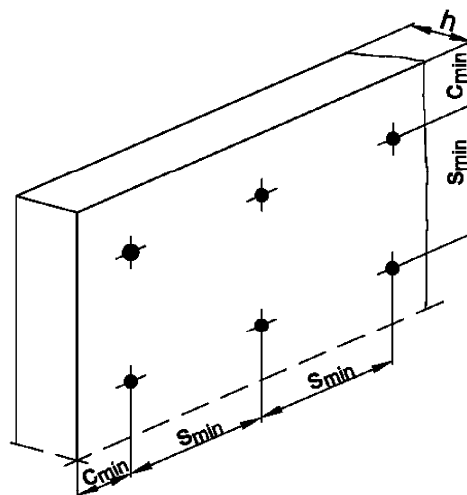
Table B1: Installation parameters

Anchor type		ejothem S1 / ejothem S1 short	
		Base material group	
		A, B, C, D	E
Drill hole diameter	d_0 [mm] =	8	8
Cutting diameter of drill bit	d_{cut} [mm] ≤	8,45	8,45
Depth of drilled hole to deepest point	h_1 [mm] ≥	40	60
Effective anchorage depth	h_{ef} [mm] ≥	30	50

Table B2: Anchor distances and dimensions of members

Anchor type		ejothem S1 / ejothem S1 short	
Minimum spacing	$s_{min} \geq$ [mm]	100	
Minimum edge distance	$c_{min} \geq$ [mm]	100	
Minimum thickness of member	$h \geq$ [mm]	100	

Scheme of distance and spacing

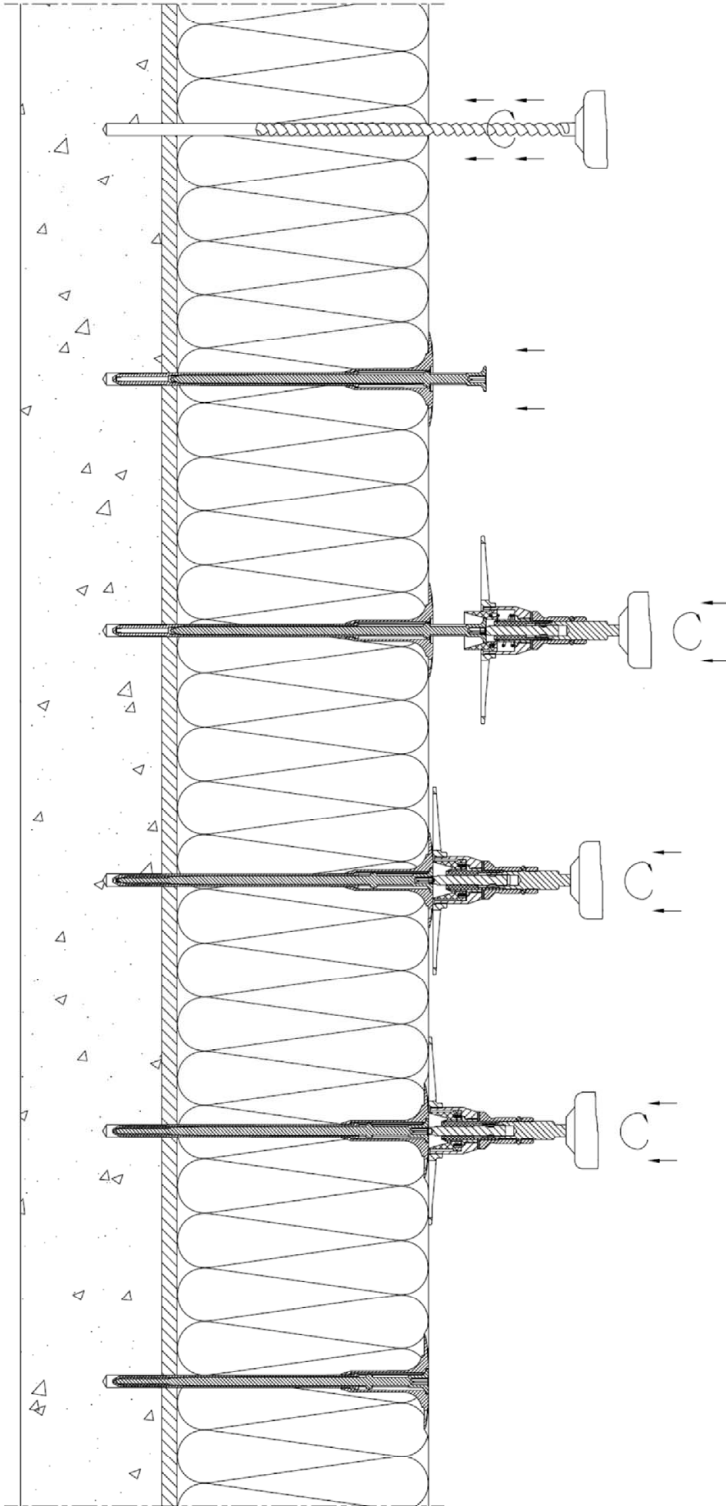


ejothem S1 and ejothem S1 short

Intended use
Installations parameters,
Edge distances and spacing

Annex B 2

Installation instructions: ejothem S1



Drill the hole perpendicular to the substrate surface.
Clean the drill hole 3x.

Place the anchor into the drill hole.
The bottom side of the plate must be flush with the insulation.

Placing the mounting tool on the dowel screw

Mounting the screw

Top side of the anchor plate mounted flush with the insulation board surface. Assembly tool decoupled.

Installed conditions ejothem S1

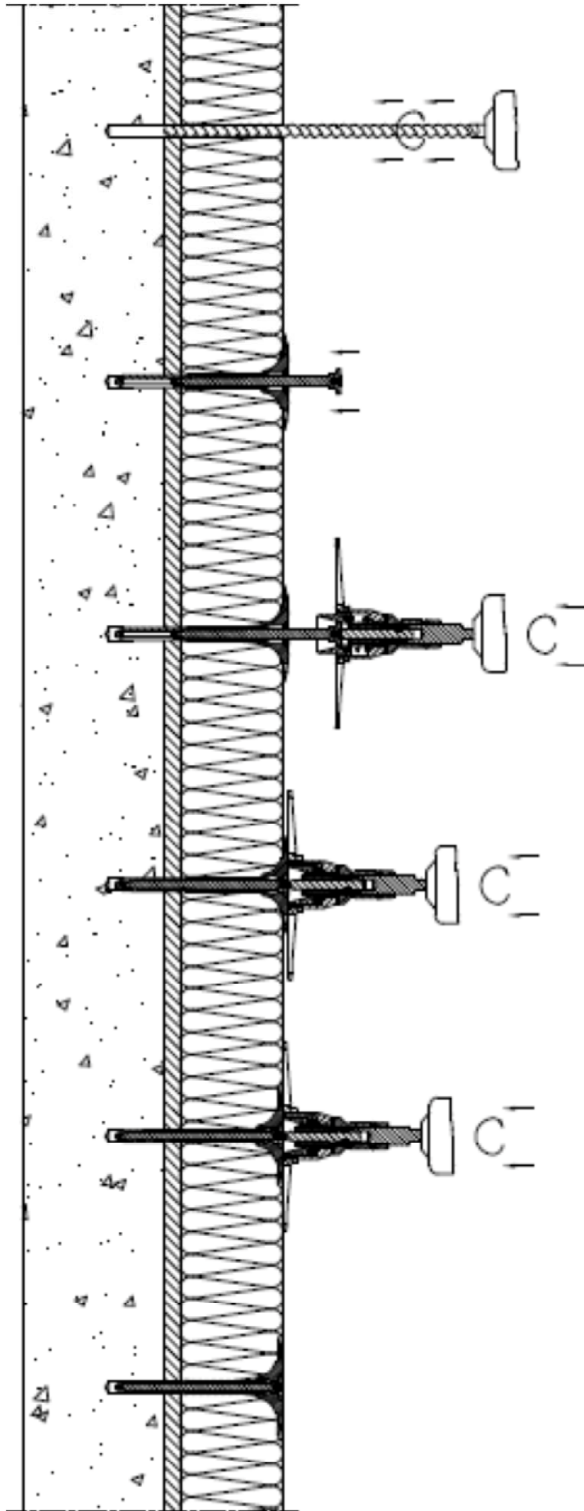
Electronic copy of the ETA by DIBt: ETA-17/0991

ejothem S1 and ejothem S1 short

Intended use
Installation instructions ejothem S1

Annex B 3

Installation instructions: ejothem S1 short



Drill the hole perpendicular to the substrate surface.
Clean the drill hole 3x.

Place the anchor into the drill hole.
The bottom side of the plate must be flush with the insulation.

Placing the mounting tool on the dowel screw

Mounting the screw

Top side of the anchor plate mounted flush with the insulation board surface. Assembly tool decoupled.

Installed conditions ejothem S1 short

ejothem S1 and ejothem S1 short

Intended use
Installation instructions ejothem S1 short

Annex B 4

Table C1: Characteristic resistance to tension loads N_{Rk} in concrete and masonry for a single anchor in kN						
Anchor type					ejothem S1	ejothem S1 short
Base materials	Bulk density ρ [kg/dm ³]	Minimum compressive strength f_b [N/mm ²]	General remarks	Drill method	N_{Rk} [kN]	N_{Rk} [kN]
Concrete C12/15 – C50/60 as per EN 206:2013+A1:2016			Compacted normal weight concrete without fibres	hammer	1,5	1,5
Thin concrete members (e.g. weather resistant skin) Concrete C16/20 – C50/60 as per EN 206:2013+A1:2016			Compacted normal weight concrete without fibres Thickness of the thin skin: 100 mm > h ≥ 40 mm	hammer	1,4	1,4
Clay bricks, Mz as per EN 771-1:2011+A1:2015	≥ 1,8	12	Vertically perforation ⁴⁾ up to 15 %.	hammer	1,5	1,5
Sand-lime solid bricks, KS as per EN 771-2:2011+A1:2015	≥ 1,8	12	Vertically perforation ⁴⁾ up to 15 %.	hammer	1,5	1,5
Vertically perforated clay bricks, HLz as per EN 771-1:2011+A1:2015	≥ 1,6	20	Vertically perforation ⁴⁾ > 15 % and ≤ 50 %.	hammer / rotary	1,5 ¹⁾	1,5 ¹⁾
Sand-lime perforated bricks, KSL as per EN 771-2:2011+A1:2015	≥ 1,6	12	Vertically perforation ⁴⁾ > 15 % and ≤ 50 %.	hammer / rotary	1,5 ²⁾	1,5 ²⁾
Lightweight concrete hollow blocks, Hbl as per EN 771-3:2011+A1:2015	≥ 1,2	6		hammer / rotary	0,9 ³⁾	0,9 ³⁾
lightweight aggregate concrete, LAC as per EN 1520:2011, EN 771-3:2011+A1:2015	≥ 0,7	4		rotary	0,9	0,9
Autoclaved aerated concrete as per EN 771-4:2011 +A1:2015	≥ 0,55	4		rotary	0,75	0,75
ejothem S1 and ejothem S1 short					Annex C 1	
Performances Characteristic resistance						

- 1) The value applies only for outer web thickness ≥ 25 mm; otherwise the characteristic resistance shall be determined by job site pull-out tests.
- 2) The value applies only for outer web thickness ≥ 20 mm; otherwise the characteristic resistance shall be determined by job site pull-out tests.
- 3) The value applies only for outer web thickness ≥ 40 mm; otherwise the characteristic resistance shall be determined by job site pull-out tests.
- 4) Cross section reduced by perforation vertically to the resting area

Table C2: Point thermal transmittance according EOTA Technical Report TR 025:2016-05

anchor type	insulation thickness h_D [mm]	point thermal transmittance χ [W/K]
ejothem S1	60	0,001
ejothem S1	80 – 460	0,000
ejothem S1 short	20	0,002
ejothem S1 short	40 – 60	0,001
ejothem S1 short	80	0,000

Table C3: Plate stiffness according EOTA Technical Report TR 026:2016-05

anchor type	diameter of the anchor plate [mm]	load resistance of the anchor plate [kN]	plate stiffness [kN/mm]
ejothem S1	60	1,5	0,7
ejothem S1 short	60	1,5	0,7

Table C4: Displacements

Base materials	Bulk density ρ [kg/dm ³]	minimum compressive strength f_b [N/mm ²]	Tension load N [kN]	Displacements $\Delta\delta_N$ [mm]	
				$L_a =$ 60 – 300 mm	$L_a =$ 320 – 460 mm
Concrete C12/15 – C50/60 (EN 206:2013+A1:2016)			0,5	0,6	0,9
Thin concrete members Concrete C16/20 – C50/60 (EN 206:2013+A1:2016)			0,45	0,6	0,9
Clay bricks, Mz (EN 771-1:2011+A1:2015)	$\geq 1,8$	12	0,5	0,6	0,9
Sand-lime solid bricks, KS (EN 771-2:2011+A1:2015)	$\geq 1,8$	12	0,5	0,6	0,9
Vertically perforated clay bricks, HLz (EN 771-1:2011+A1:2015)	$\geq 1,6$	20	0,5	0,6	0,9
Sand-lime perforated bricks, KSL (EN 771-2:2011+A1:2015)	$\geq 1,6$	12	0,5	0,6	0,9
Lightweight concrete hollow blocks, Hbl (EN 771-3:2011+A1:2015)	$\geq 1,2$	6	0,3	0,4	0,6
Lightweight aggregate concrete, LAC (EN 1520:2011 / EN 771-3:2011+A1:2015)	$\geq 0,7$	4	0,3	0,4	0,6
Autoclaved aerated concrete (EN 771-4:2011+A1:2015)	$\geq 0,55$	4	0,25	0,3	0,4

ejothem S1 and ejothem S1 short

Performances
Point thermal transmittance, plate stiffness, displacements

Annex C 2