

Approval body for construction products
and types of construction

Bautechnisches Prüfamt

An institution established by the Federal and
Laender Governments



European Technical Assessment

ETA-22/0555
of 15 August 2022

English translation prepared by DIBt - Original version in German language

General Part

Technical Assessment Body issuing the
European Technical Assessment:

Deutsches Institut für Bautechnik

Trade name of the construction product

"STORMTECH" PE or PP injection-moulded chambers for
subsurface stormwater infiltration, attenuation and storage

Product family
to which the construction product belongs

PE or PP injection-moulded chambers for subsurface
stormwater infiltration, attenuation and storage

Manufacturer

ADS Europe b.v.
Marco Polostraat 2-14
3165 AL ROTTERDAM
NIEDERLANDE

Manufacturing plant

Infiltrator Systems Inc. (ISI)
1315 Enterprise Drive
Winchester, Kentucky 40391
USA

This European Technical Assessment
contains

11 pages including 7 annexes which form an integral part
of this assessment

This European Technical Assessment is
issued in accordance with Regulation (EU)
No 305/2011, on the basis of

EAD 180017-00-0704

The European Technical Assessment is issued by the Technical Assessment Body in its official language. Translations of this European Technical Assessment in other languages shall fully correspond to the original issued document and shall be identified as such.

Communication of this European Technical Assessment, including transmission by electronic means, shall be in full. However, partial reproduction may only be made with the written consent of the issuing Technical Assessment Body. Any partial reproduction shall be identified as such.

This European Technical Assessment may be withdrawn by the issuing Technical Assessment Body, in particular pursuant to information by the Commission in accordance with Article 25(3) of Regulation (EU) No 305/2011.

Specific Part

1 Technical Description of the product

The construction product includes the arch-shaped corrugated wall chamber made of virgin polyethylene or polypropylene material (PE or PP) with the designations:

- "StormTech SC 160 LP" (PP),
- "StormTech SC 310" (PE),
- "StormTech SC 740" (PP),
- "StormTech DC 780" (PP),
- "StormTech MC 3500" (PP),
- "StormTech MC 4500" (PP),
- "StormTech MC 7200" (PP)

The chambers with end caps are intended to be used as subsurface stormwater infiltration, attenuation and storage systems.

The product is composed of two parts:

- chambers
- end caps for each chamber

The product is not covered by a harmonised technical specification.

Concerning product packaging, transport, storage, maintenance, replacement and repair it is the responsibility of the manufacturer to undertake the appropriate measures and to advise his clients on the transport, storage, maintenance, replacement and repair of the product as he considers necessary.

When leaving the factory, the product complies with the requirements of the EAD 180017-00-0704.

The construction product is intact and fit for use with regard to installation and application.

It is assumed that the product will be installed according to the manufacturer's instructions or (in absence of such instructions) according to the usual practice of the building professionals.

2 Specification of the intended use according to the applicable European Assessment Document

The chambers with end caps comply with the requirements of EAD 180017-00-0704 are intended for buried underground use, e.g. in landscape, pedestrian or traffic areas. Relevant performance criteria of the chambers with end caps are described in Table 1 of section 3.

The product is designed for a working life of minimum 50 years after installation.

3 Performance of the product and references to the methods used for its assessment

3.1 Mechanical resistance and stability (BWR 1)

Essential characteristic	Performance
Arch stiffness constant	
Dimension	Requirement [kN/m]
SC 160 LP	≥ 4,4
SC 310	≥ 4,4
SC 740	≥ 4,4
DC 780	≥ 4,4

Essential characteristic	Performance
Arch stiffness constant	
Dimension	Requirement [kN/m]
MC 3500	≥ 4,4
MC 4500	≥ 4,4
MC 7200	≥ 4,4
Stub compression strength	
Dimension	Requirement [kN/m]
SC 160 LP	≥ 80
SC 310	≥ 48
SC 740	≥ 83
DC 780	≥ 175
MC 3500	≥ 122
MC 4500	≥ 178
MC 7200	≥ 184

3.2 Safety in case of fire (BWR 2)

Essential characteristic	Performance
Reaction to fire	Class E

4 System(s) of assessment and verification of constancy of performance to be applied

For the products covered by this EAD the applicable European legal act is Commission Delegated Decision 2015/1958/EC.

The system is: 2+ for all essential characteristics except for reaction to fire.

For reaction to fire the applicable AVCP systems are 1, 3 or 4 depending on the conditions defined in the said Decision.

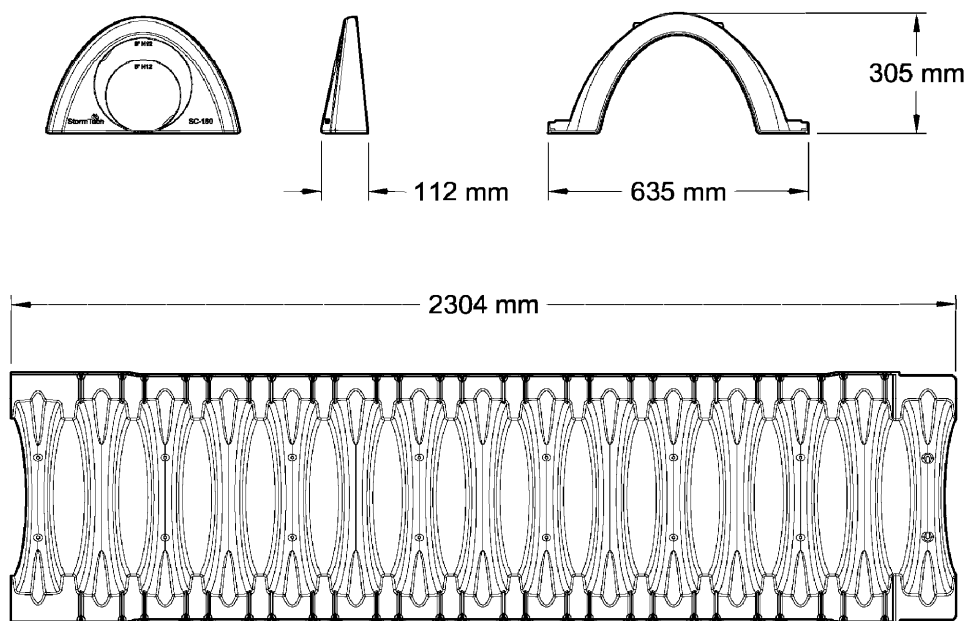
5 Technical details necessary for the implementation of the AVCP system, as provided for in the applicable EAD

Technical details necessary for the implementation of the AVCP system are laid down in the control plan deposited with Deutsches Institut für Bautechnik.

Issued in Berlin on 15 August 2022 by Deutsches Institut für Bautechnik

Christina Pritzkow
Head of Department

beglaubigt:
Samuel

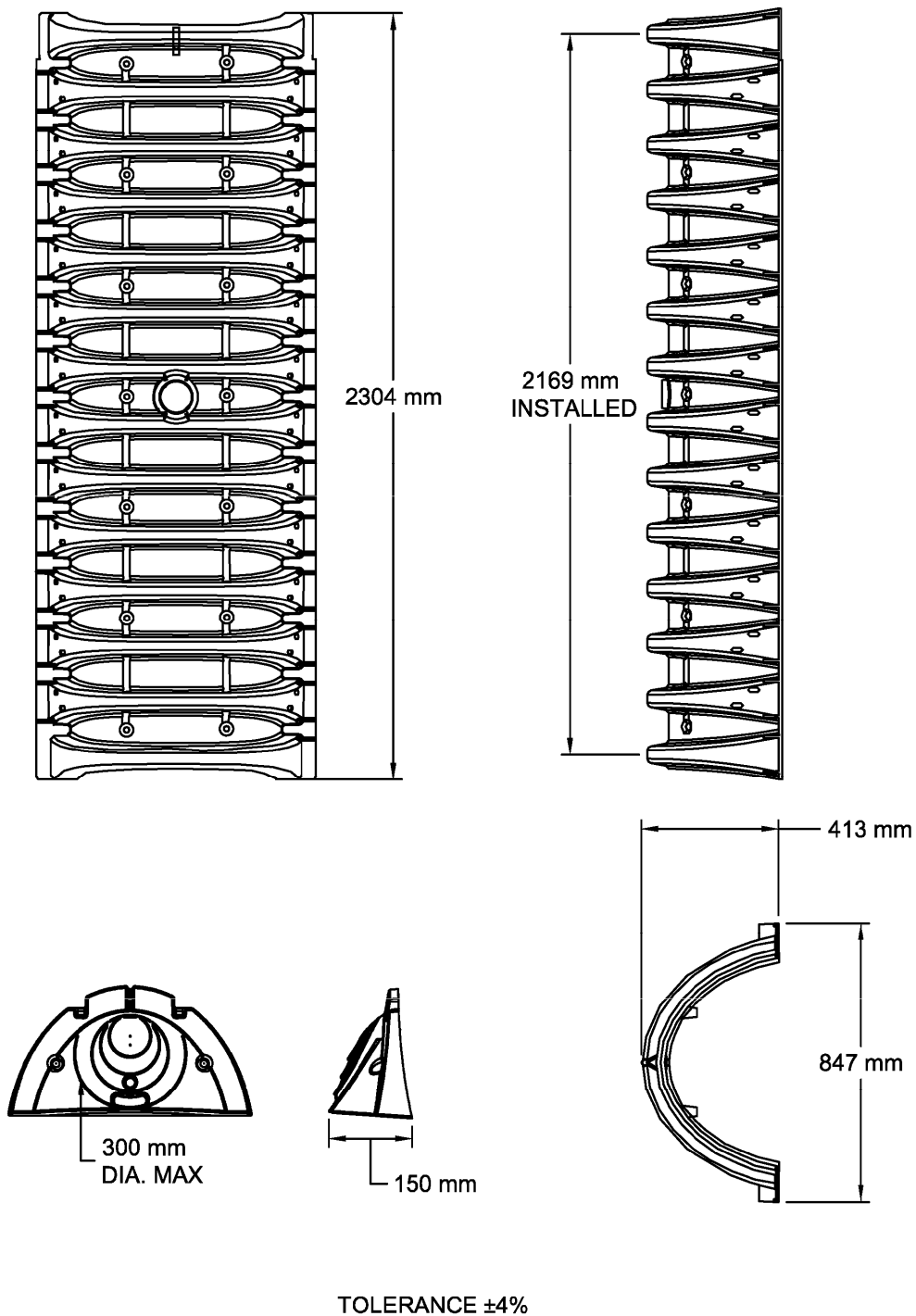


TOLERANCE $\pm 4\%$

"STORMTECH" PE or PP injection-moulded chambers for subsurface stormwater infiltration, attenuation and storage

"StormTech SC-160LP PP"

Annex 1

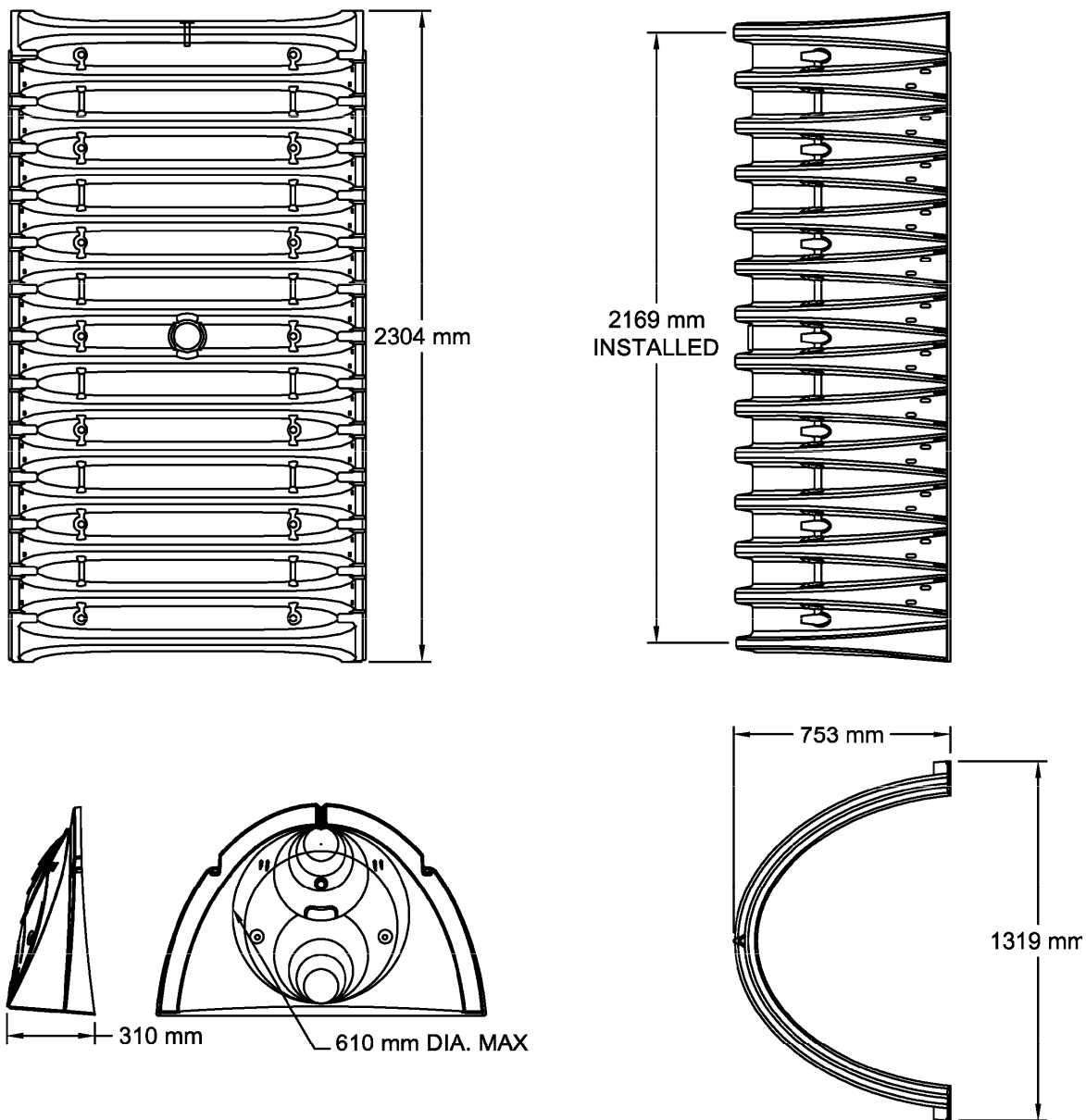


Electronic copy of the ETA by DIBt: ETA-22/0555

"STORMTECH" PE or PP injection-moulded chambers for subsurface stormwater infiltration, attenuation and storage

"StormTech SC-310 PE"

Annex 2

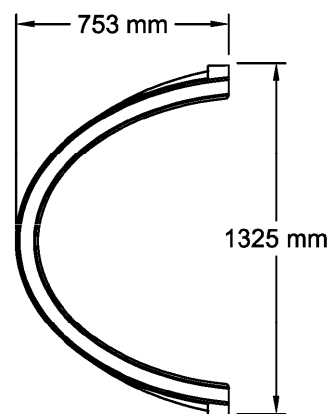
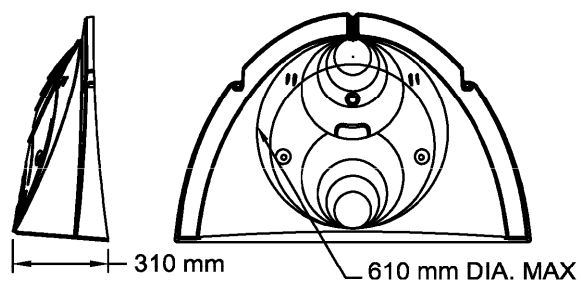
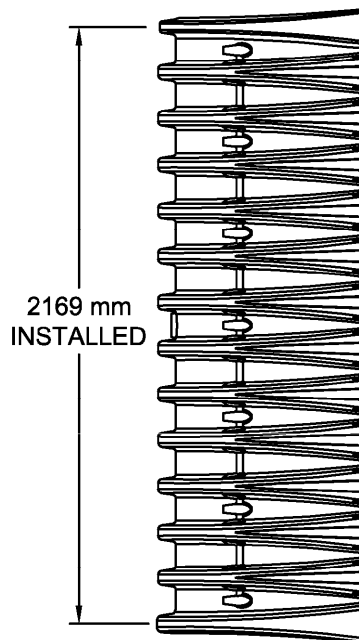
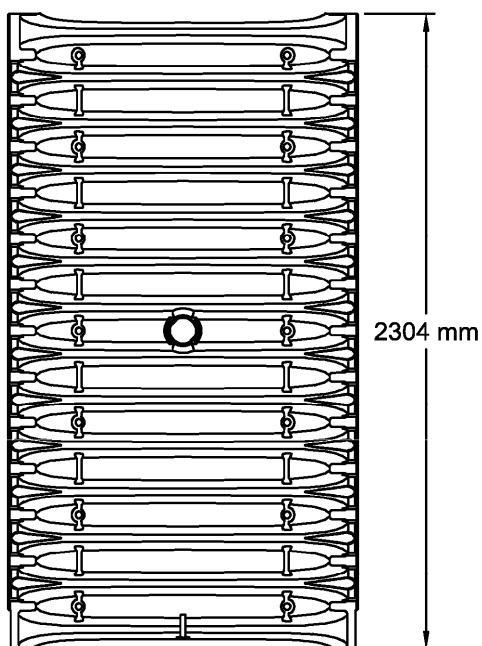


TOLERANCE $\pm 4\%$

"STORMTECH" PE or PP injection-moulded chambers for subsurface stormwater infiltration, attenuation and storage

"StormTech SC-740 PP"

Annex 3

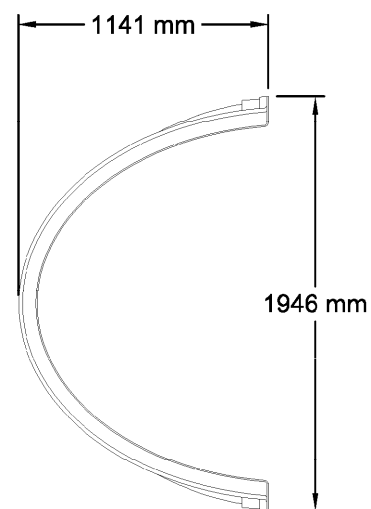
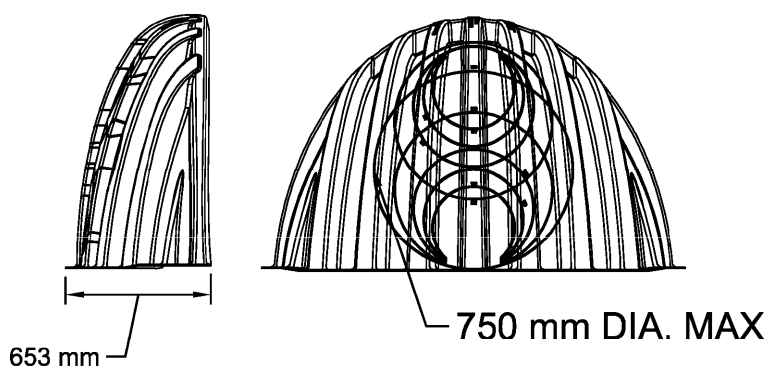
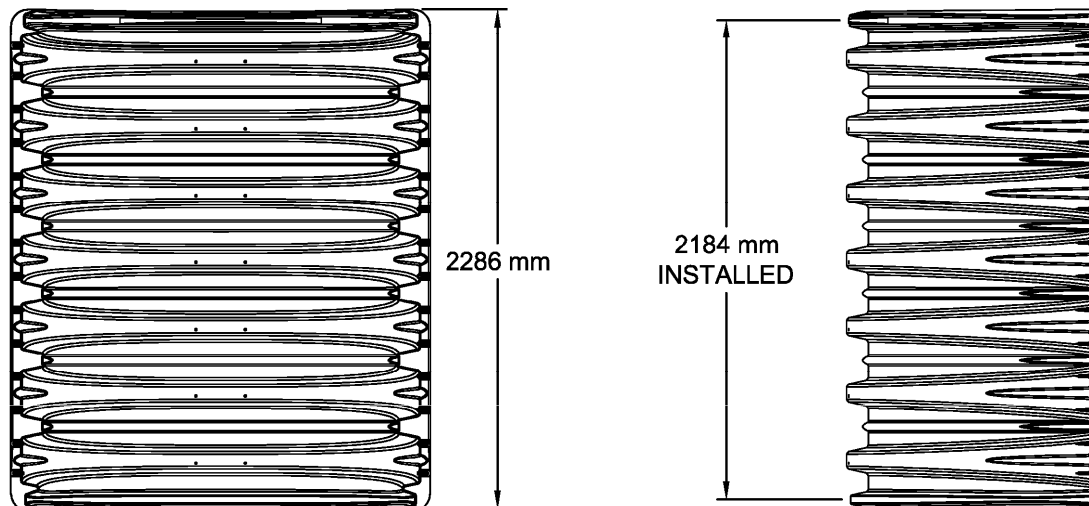


TOLERANCE $\pm 4\%$

"STORMTECH" PE or PP injection-moulded chambers for subsurface stormwater infiltration, attenuation and storage

"StormTech DC-780 PP"

Annex 4



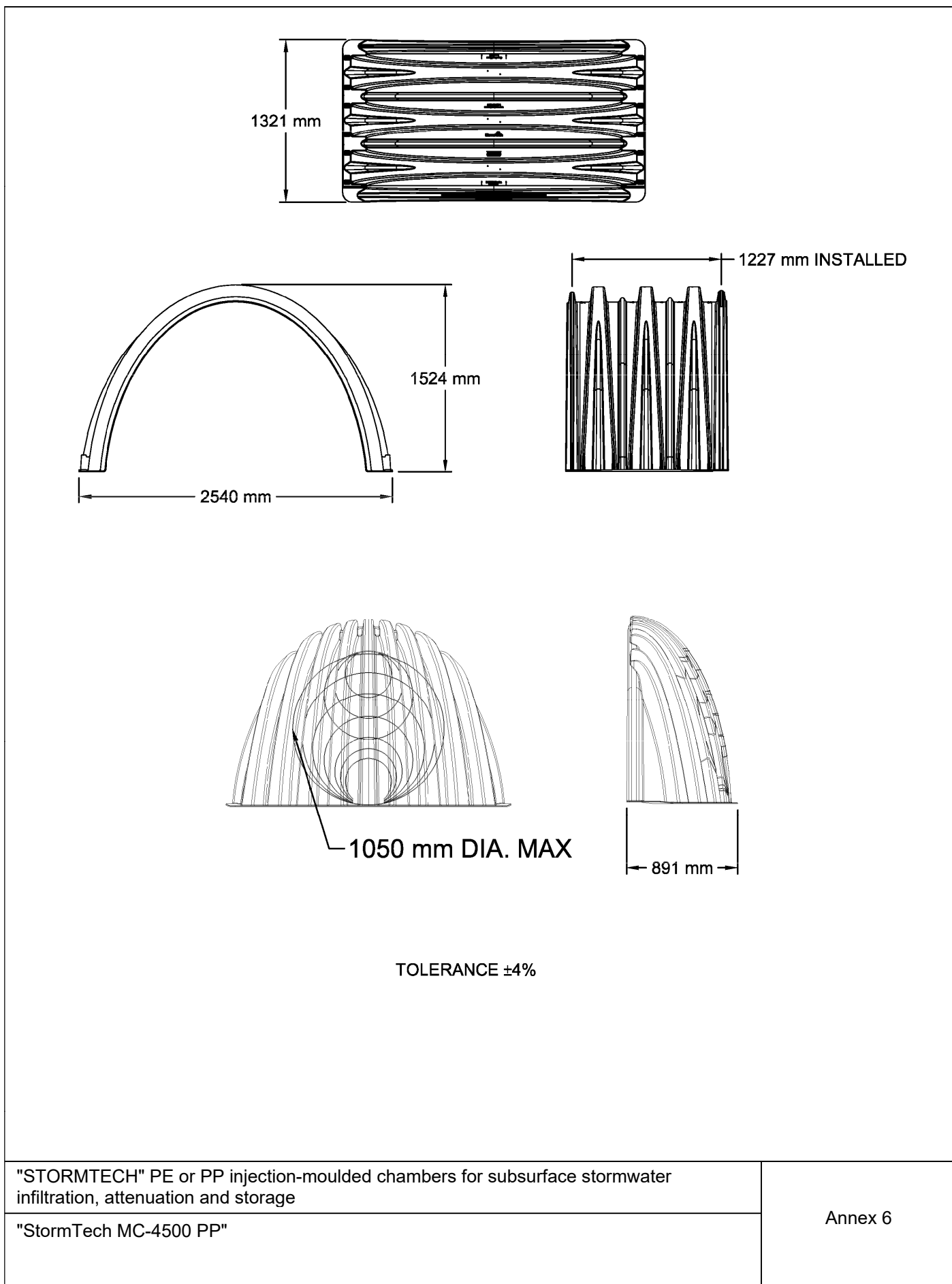
TOLERANCE $\pm 4\%$

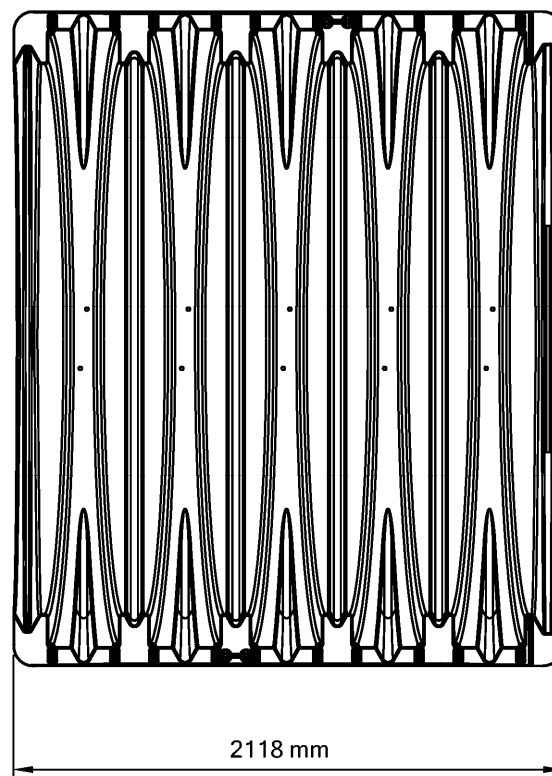
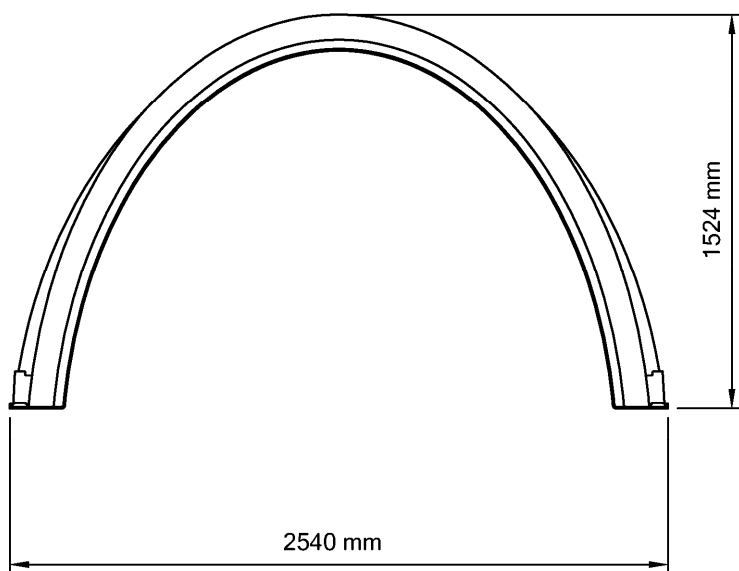
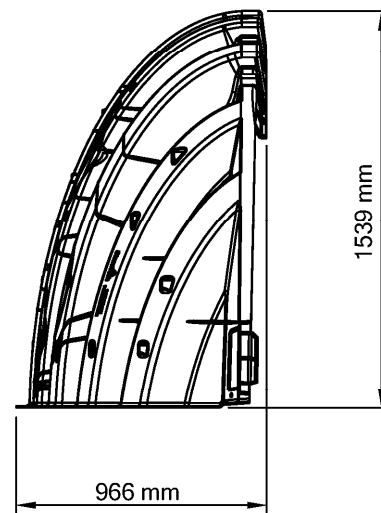
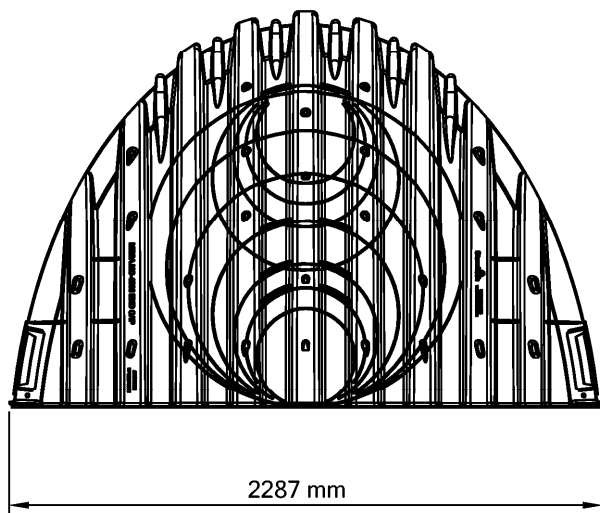
Electronic copy of the ETA by DIBt: ETA-22/0555

"STORMTECH" PE or PP injection-moulded chambers for subsurface stormwater infiltration, attenuation and storage

"StormTech MC-3500 PP"

Annex 5





TOLERANCE $\pm 4\%$

"STORMTECH" PE or PP injection-moulded chambers for subsurface stormwater infiltration, attenuation and storage

"StormTech MC-7200 PP"

Annex 7