

Approval body for construction products
and types of construction

Bautechnisches Prüfamt

An institution established by the Federal and
Laender Governments



European Technical Assessment

ETA-09/0161
of 22 July 2014

English translation prepared by DIBt - Original version in German language

General Part

Technical Assessment Body issuing the
European Technical Assessment:

Deutsches Institut für Bautechnik

Trade name of the construction product

Stair with load-bearing handrail System H + I

Product family
to which the construction product belongs

Prefabricated stair with steps and a load bearing handrail
made of solid wood for use as an indoor stair in buildings

Manufacturer

H + I Treppentechnik AG
Eschnerstraße 51
9487 BENDERN
FÜRSTENTUM LIECHTENSTEIN

Manufacturing plant

H+I Treppentechnik Werk 1-99

This European Technical Assessment
contains

15 pages including 3 annexes which form an integral part
of this assessment

This European Technical Assessment is
issued in accordance with Regulation (EU)
No 305/2011, on the basis of

Guideline for European technical approval of
"Prefabricated stair kits", ETAG 008 Part 1: "Prefabricated
stair kits in general (excluding severe climatic
conditions)", January 2002,
used as European Assessment Document (EAD)
according to Article 66 Paragraph 3 of Regulation (EU)
No 305/2011.

The European Technical Assessment is issued by the Technical Assessment Body in its official language. Translations of this European Technical Assessment in other languages shall fully correspond to the original issued document and shall be identified as such.

Communication of this European Technical Assessment, including transmission by electronic means, shall be in full. However, partial reproduction may only be made with the written consent of the issuing Technical Assessment Body. Any partial reproduction has to be identified as such.

This European Technical Assessment may be withdrawn by the issuing Technical Assessment Body, in particular pursuant to information by the Commission according to Article 25 Paragraph 3 of Regulation (EU) No 305/2011.

Specific Part

1 Technical description of the product

The Stair with load-bearing handrail System H +I is a prefabricated stair system, which consists of steps, a railing (consisting of handrail, posts and balusters), fasteners, load-bearing bolts and wall ties. The stair can also be formed as a folded plate stair by additional risers.

On the wall-free side the steps are connected with each other by a load-bearing bolt and via balusters with the load-bearing handrail. On the wall side each step is equipped with two wall ties which are anchored in the staircase wall. Alternatively, the staircase wall may also be replaced by a stringer or as on the wall-free side by a load-bearing handrail.

The steps, the handrail, the posts and the distance sleeves are made of solid wood, the balusters are made of steel or solid wood the fasteners, load-bearing bolts and wall ties are made of steel.

The product description is given in Annex A.

2 Specification of the intended use in accordance with the applicable European Assessment Document

The performances given in Section 3 are only valid if the stair is used in compliance with the specifications and conditions given in Annex B.

The verification and assessment methods on which this European Technical Assessment is based lead to the assumption of a working life of the stair of at least 50 years. The indications given on the working life cannot be interpreted as a guarantee given by the producer, but are to be regarded only as a means for choosing the right products in relation to the expected economically reasonable working life of the works.

English translation prepared by DIBt

3 Performance of the product and references to the methods used for its assessment

3.1 Mechanical resistance and stability (BWR 1)

Essential characteristic	Performance
Load-bearing capacity	See Annex C2
Load/displacement behaviour	See Annex C2
Vibration behaviour	First natural frequency: $f_1 \geq 5$ Hz (inclusive a single mass of 100 kg) Deflection under a single load $F = 1$ kN: $w \leq 5$ mm
Prevention of progressive collapse	Failure of individual components of the stair does not lead to a progressive collapse of the complete stair
Residual load-bearing capacity	Local material failure does not lead to an abrupt total loss of load-bearing capacity of the steps.
Long-term behaviour	Load-bearing capacity are ensured under an appropriate use and maintenance over the indicated working life
Resistance to earthquakes	No performance determined (NPD)
Resistance of fixings	See technical documentation of this European Technical Assessment

3.2 Safety in case of fire (BWR 2)

Essential characteristic	Performance
Reaction to fire	See Annex A5
Fire resistance	No performance determined (NPD)

3.3 Hygiene, health and the environment (BWR 3)

Regarding dangerous substances there may be requirements (e.g. transposed European legislation and national laws, regulations and administrative provisions) applicable to the products falling within the scope of this European Technical Assessment. In order to meet the provisions of Regulation (EU) No 305/2011, these requirements need also to be complied with, when and where they apply.

English translation prepared by DIBt

3.4 Safety in use (BWR 4)

Essential characteristic	Performance
Geometry	See Annex C1
Slipperiness	No performance determined (NPD)
Equipment of the stair for a safe use	Barrier and handrail are components of the stair (see Annex C1) Vertical balusters, arranged between step and handrail, are used as fill-in elements. Thereby climb ability for infants will not be supported Tactility and visibility: No performance determined (NPD)
Safe breakage of components	No brittle failure of individual components
Impact resistance	No performance determined (NPD)

3.5 Protection against noise (BWR 5)

Not applicable.

3.6 Energy economy and heat retention (BWR 6)

Not applicable.

3.7 Sustainable use of natural resources (BWR 7)

The sustainable use of natural resources was not investigated.

3.8 General aspects

Essential characteristic	Performance
Resistance to deterioration caused by physical, chemical and biological agents	Adequate resistance for the intended use under an appropriate use and maintenance
Finishes and surface layers	Components made of solid wood can be coated with varnish on all sides or they are oiled

English translation prepared by DIBt

4 Assessment and verification of constancy of performance (AVCP) system applied, with reference to its legal base

According to Decision of the Commission of 3 February 1999 (99/89/EC) (OJ L 029 of 25.01.1999 p. 34-37)) the system of assessment and verification of constancy of performance (see Annex V and Article 65 Paragraph 2 to Regulation (EU) No 305/2011) given in the following table applies.

Product	Intended use	Level or class	System
Prefabricated stair kits	For dwellings and other buildings	-	2+

Additional according to Decision of the Commission of 8 January 2001 (2001/596/EC) (OJ L 209 of 02.08.2001 p. 33-42) the system of assessment and verification of constancy of performance (see Annex V and Article 65 Paragraph 2 to Regulation (EU) No 305/2011) given in the following table applies.

Product	Intended use	Level or class	System
Prefabricated stair kits	For uses subject to regulations on reaction to fire	According to Annex A5, Table 1	4

5 Technical details necessary for the implementation of the AVCP system, as provided for in the applicable European Assessment Document

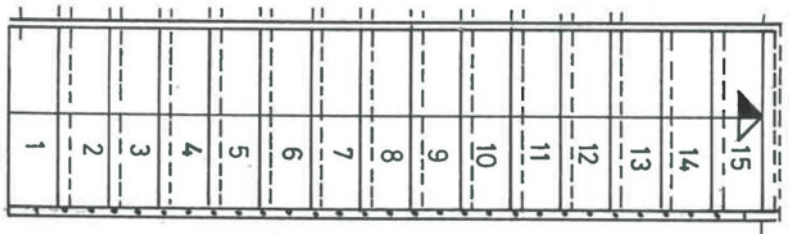
Technical details necessary for the implementation of the AVCP system are laid down in the control plan deposited at Deutsches Institut für Bautechnik.

Issued in Berlin on 22 July 2014 by Deutsches Institut für Bautechnik

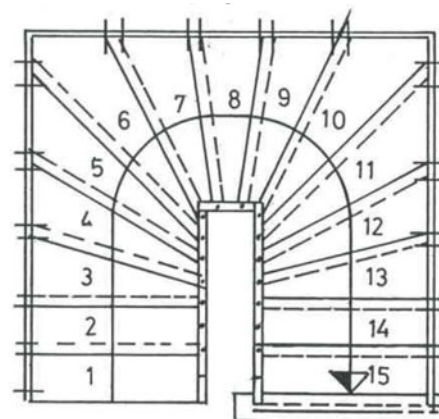
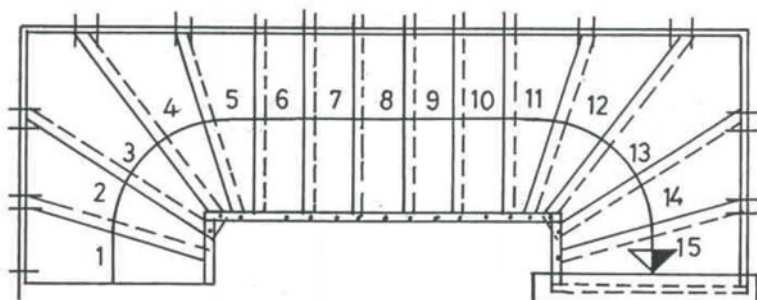
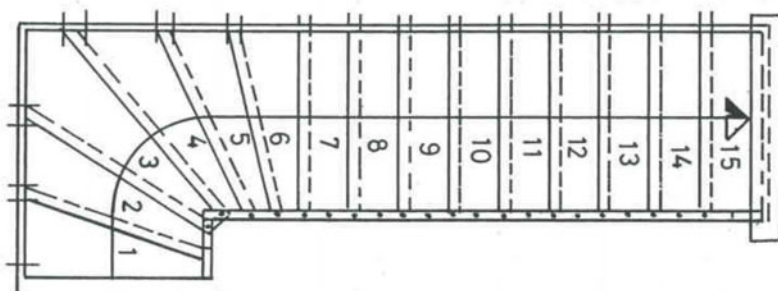
Uwe Bender
Head of Department

beglaubigt:
Wittstock

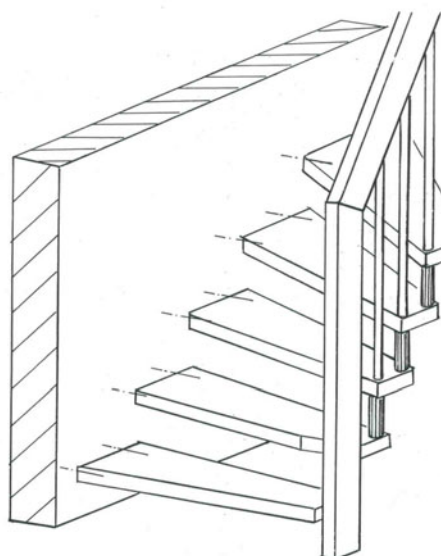
Types of plan



Walking line is exemplified, position may be chosen freely within the walking zone, walking zone is 20% of the clear width of the stair in the middle of the stair



Construction

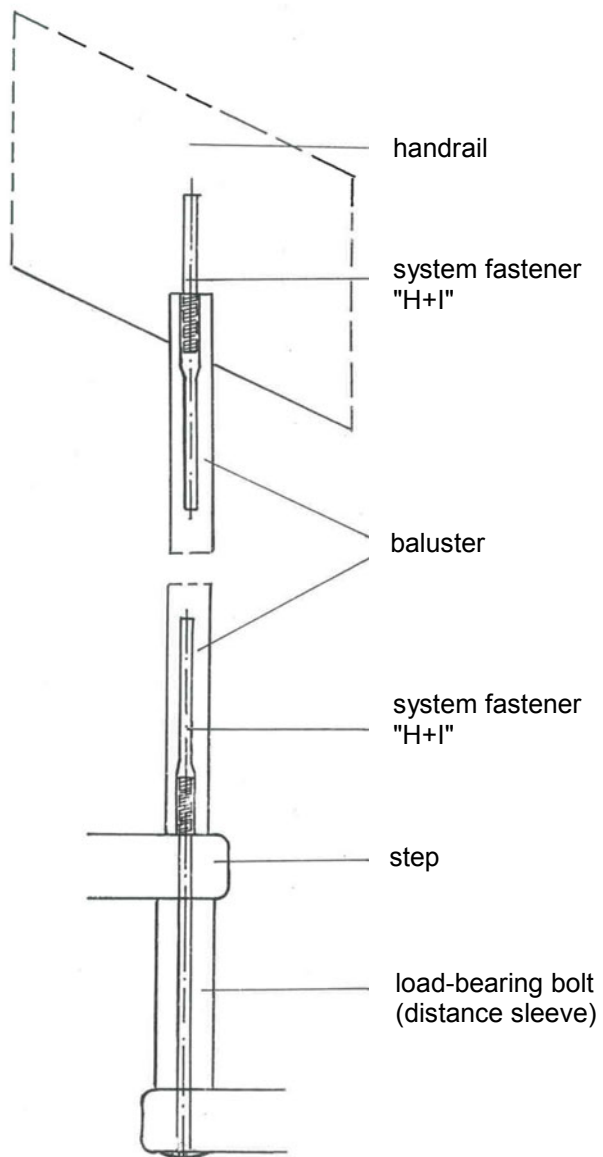


Stair with load-bearing handrail System H + I

Product and intended use

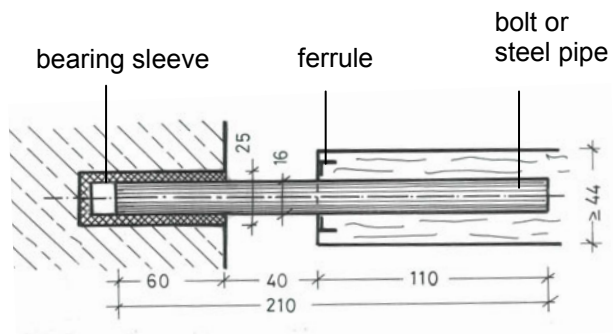
Annex A1

Baluster System

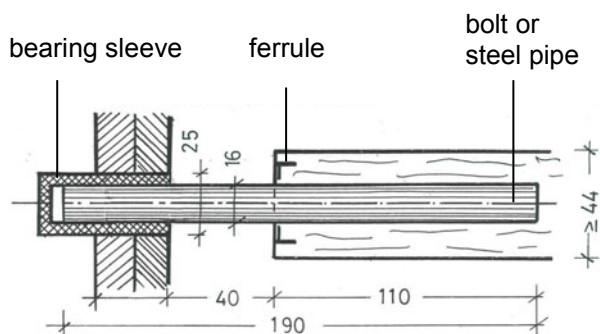


Wall ties (possible types)

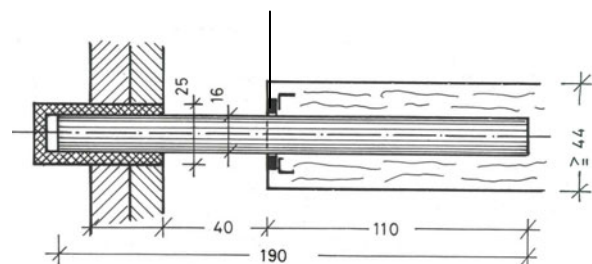
Masonry or concrete



OSB-plate



steps made of wood species
oak, nut tree, ash, merbau:
additional steel plate

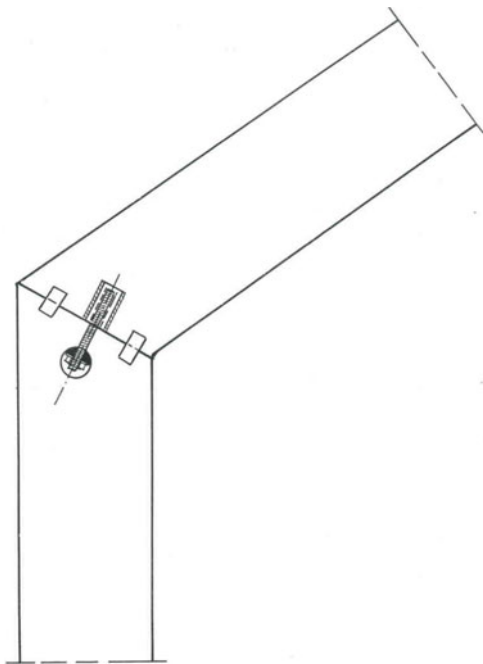


Stair with load-bearing handrail System H + I

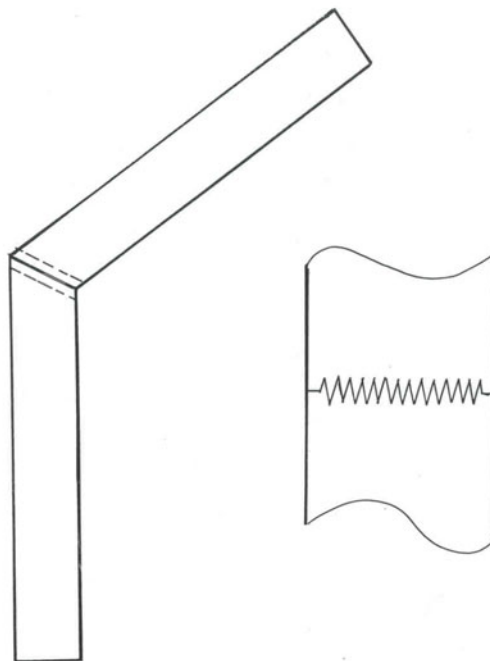
Baluster system and wall ties

Annex A2

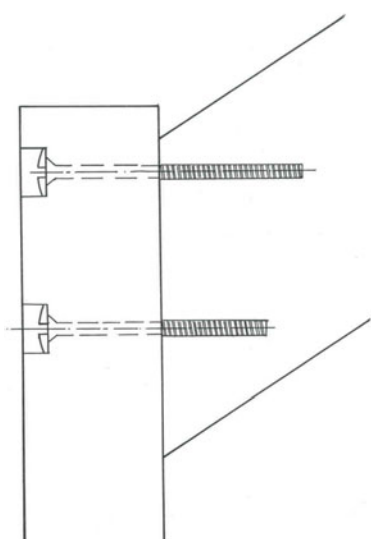
**Post – handrail – joint
screwed**



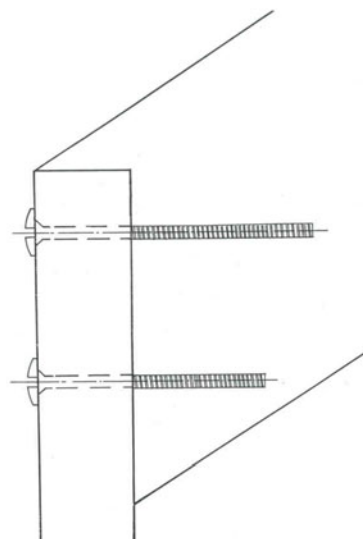
**Post – handrail – joint
finger jointed**



**Post – handrail – joint
screwed**



**Handrail corner – joint
screwed**

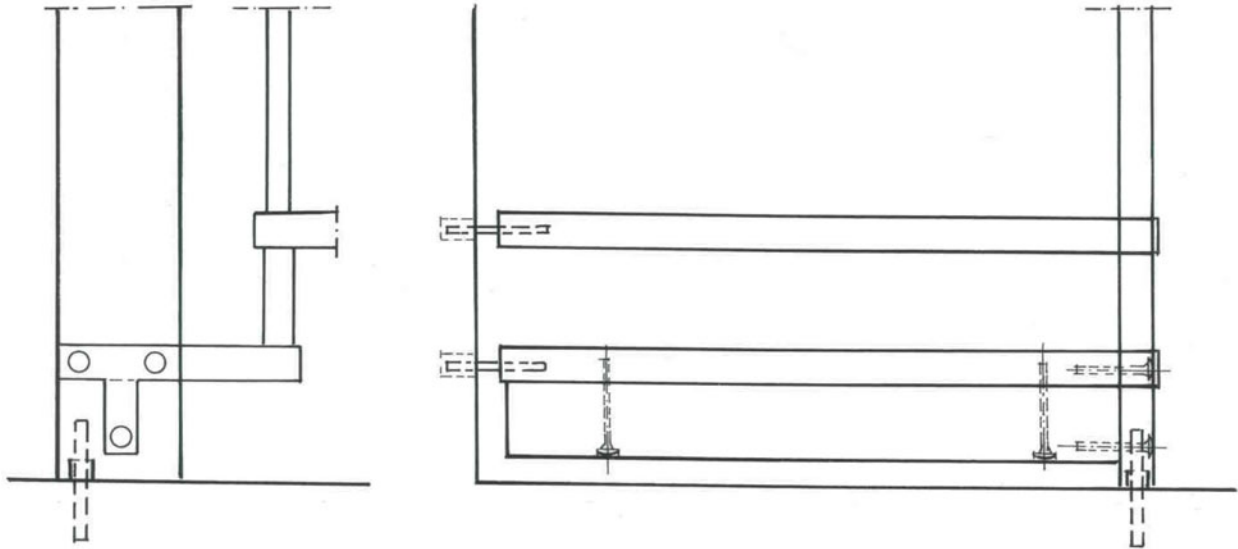


Stair with load-bearing handrail System H + I

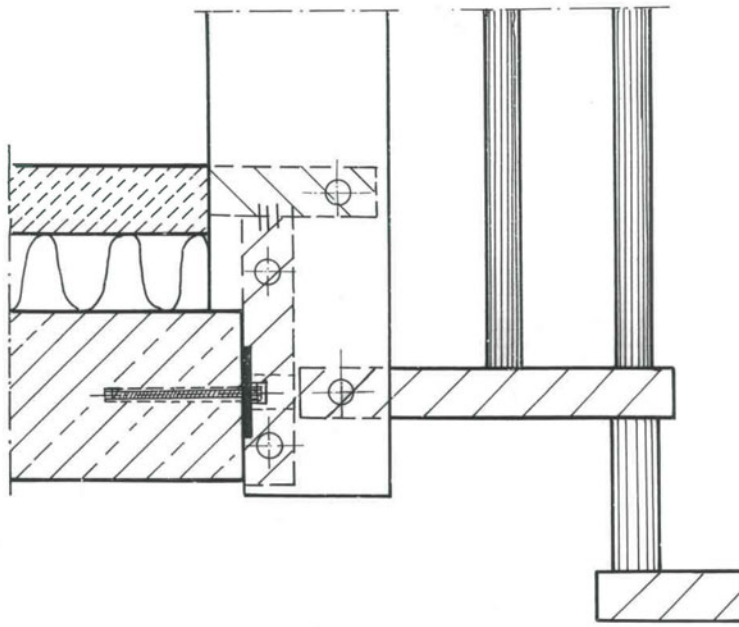
Post – handrail – joint
Handrail corner – joint

Annex A3

Post joint at bottom ¹⁾



Post joint at the top ¹⁾



¹⁾ more details according to the technical documentation

Stair with load-bearing handrail System H + I

Post joint at bottom and Post joint at the top

Annex A4

Table 1: Minimum dimensions of relevant stair components and reaction to fire

Component of stair		Material ¹⁾	Dimension		Value	Reaction to fire ³⁾
step		solid wood ²⁾	thickness	[mm]	44	D-s2, d0 (2003/593/EC)
upper flange of the railing (handrail)	straight flights only finger jointed	solid wood ²⁾	height / width	[mm]	160 / 53 (45) ⁴⁾	D-s2, d0 (2003/593/EC)
	other flights	solid wood ²⁾	height / width	[mm]	160 / 45	
posts	straight flights only finger jointed	solid wood ²⁾	height / width	[mm]	160 / 53 (45) ⁴⁾	D-s2, d0 (2003/593/EC)
	other flights	solid wood ²⁾	height / width	[mm]	160 / 45 80 / 80	
baluster		solid wood ²⁾	diameter	[mm]	30	D-s2, d0 (2003/593/EC)
		steel	diameter	[mm]	10	A1 (96/603/EC)
load-bearing bolt / system fastener		steel	diameter	[mm]	10	A1 (96/603/EC)
distance sleeve (load-bearing bolt)		solid wood ²⁾	diameter	[mm]	40	D-s2, d0 (2003/593/EC)
wall ties		round steel or steel pipe	diameter	[mm]	16	A1 (96/603/EC)
			diameter x wall thickness	[mm]	16 x 2.0	
			embedment depth wall	[mm]	60 (32) ⁵⁾	
			embedment depth step	[mm]	110	
bearing sleeve (wall tie)		plastic	diameter	[mm]	25	not relevant

- 1) characteristic values of material according to technical documentation
 2) only hardwood of the following species: beech, oak, maple, acacia, nut tree, ash, merbau
 3) according to the EC decisions
 4) value in brackets if handrail is horizontal fixed in height of the floor slab
 5) value in brackets for OSB-wall

Stair with load-bearing handrail System H + I

Minimum dimensions of relevant stair components and reaction to fire

Annex A5

Specification of intended use (Part 1)

Intended use:

- European Technical Assessment applies for a construction system.
- For the specific case of use the corresponding type of stair is manufactured within the context of the values defined in this European Technical Assessment.
- Values of this ETA apply to all types of stairs, the real dimensions follow in accordance with the relevant case of use.

Stair subject to:

- Static and quasi static loads

Use conditions:

- Indoor stair
- Air temperatures between +5 °C and +30 °C
- Relative air humidity between 30% and 70%

Design:

- Design of the stair according to the annexes and the technical documentation of this European Technical Assessment.
- Fastening of the stair to the construction works according to the annexes and the technical documentation of this Technical European Assessment.
- Verification of the transmission of loads to the construction works by the civil engineer responsible for the construction works.
- Load bearing capacity at ultimate limit state:

$$q_k \cdot \gamma_Q \leq q_{RK} / \gamma_M$$

$$Q_k \cdot \gamma_Q \leq Q_{RK} / \gamma_M$$

$$h_k \cdot \gamma_Q \cdot \psi_0 \leq h_{RK} / \gamma_M$$

with

q_{RK}, Q_{RK}, h_{RK} : characteristic values of resistance; see Table 3

γ_M : recommended material partial safety factor; see Table 3

q_k, Q_k, h_k : characteristic values of imposed loads according to EN 1991-1-1:2010-12

$\gamma_Q = 1.5$: recommended partial safety factor, in absence of other national regulations

$\psi_0 = 0.7$: recommended combination factor, in absence of other national regulations

- Maximum characteristic values of imposed loads under consideration of the partial factors mentioned above; see Table 5

Stair with load-bearing handrail System H + I

Specification of intended use (Part 1)

Annex B1

Specification of intended use (Part 2)

Installation:

- Installation by personal appropriately trained and authorized by the holder of the approval by means of the technical documentation of this European Technical Assessment
- Installation only in the way as specified in the technical documentation of this European Technical Assessment
- Installation of timber components when moisture content of timber components is $8 \pm 2 \%$
- Sufficient support of the stair when assembling
- Installation of stair components without imposed deformations
- Installation of stair components without significant defects and cracks
- Replacing of stair components, which begin tearing when assembling
- Bolted connection are protected such that they will not be loosened by vibrations

Indication of the manufacturer:

- Ensure that all persons involved will be appropriately informed about the specific conditions according to sections 1 and 2 (including the annexes to which reference is being made as well as the not confidential parts of the technical documentation deposited to this European Technical Assessment)
- Packaging of timber components such that the wood moisture is $8 \pm 2 \%$ during transport and storage
- Instructions for use should provide information as to use, maintenance and repair of the stair. Including the information of avoidance of moisture penetration of the timber components and of retightens the bolting of the load-bearing bolts and connections according to Annexes A2 to A4 after the first heating season

Stair with load-bearing handrail System H + I

Specification of intended use (Part 2)

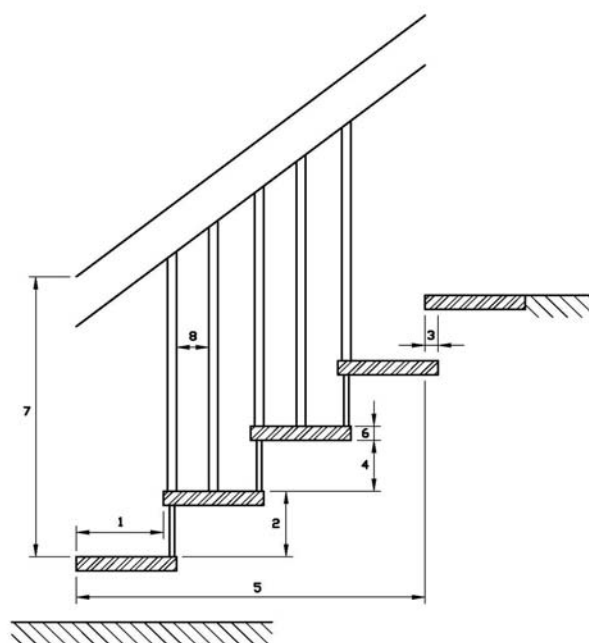
Annex B2

Table 2: Geometry

Designation			Dimension	
			minimum	maximum
going	step on walking line 1)	[mm]	210	370 ²⁾
	tapered step	[mm]	60 ^{2) 3)}	540 ^{2) 4)}
rise of the stairs 1)		[mm]	140 ²⁾	210
pitch of the walking line 1)		[°]	21	45
overlap of steps	wall side	[mm]	30	- ⁵⁾
	wall-free side	[mm]	60	- ⁵⁾
number of rises		[-]	3	16
openings	between barrier and other parts of the stair	[mm]	0	0
	between stairs and wall	[mm]	- ⁵⁾	40
	between consecutive steps	[mm]	- ⁵⁾	166
	between balusters	[mm]	40	140
clear width of stairs		[mm]	500	1000
minimum headroom		[mm]	- ⁵⁾	
length of the flight		[mm]	- ⁵⁾	3900
thickness of steps		[mm]	45	- ⁵⁾
upper flange of the railing / handrail		[mm]	900	1000
handrail	width	[mm]	45	53
	height	[mm]	160	- ⁵⁾
	clear distance to adjacent components	[mm]	50	- ⁵⁾

- 1) values are constant within one flight
- 2) tolerance between nominal value and actual value = ± 5 mm
- 3) inside of tapered step
- 4) outside of tapered step
- 5) not relevant

- 1 going
- 2 rise
- 3 overlap
- 4 opening between consecutive steps
- 5 length of the flight
- 6 thickness of steps
- 7 height of the railing / barrier
- 8 opening between balusters



Stair with load-bearing handrail System H + I

Geometry of the stair

Annex C1

Table 3: Load-bearing capacity - Characteristic values of resistance

Type of loading	Characteristic values of resistance			γ_M ¹⁾
vertical variable uniformly distributed load	q_{Rk}	[kN/m ²]	7.8	1.5
vertical variable single load	Q_{Rk}	[kN]	4.5	
horizontal variable uniformly distributed load on barrier	h_{Rk}	[kN/m]	1.1	

¹⁾ Recommended partial safety factor, in absence of other national regulations

Table 4: Deflections under loading

Deflection of the flight under uniformly distributed load			
uniformly distributed load	q_k	[kN/m ²]	3.5
length of the median line of the flight	L	[mm]	3900
deflection under load F_S related to the median line of the flight	w	[-]	$\leq L/200$
Deflection of the step under single point load			
single load	Q_k	[kN]	2.0
clear width of the stair	L	[mm]	1000
deflection under load F_S related to the clear width of the stair	w	[-]	$\leq L/200$

Table 5: Imposed loads

Type of loading	Imposed loads		
vertical variable uniformly distributed load	q	[kN/m ²]	3.5
vertical variable single load	Q	[kN]	2.0
horizontal variable uniformly distributed load on barrier	h	[kN/m]	0.5

Stair with load-bearing handrail System H + I

Load-bearing capacity – Characteristic values of resistance,
Deflections under loading,
Imposed loads

Annex C2