

Approval body for construction products  
and types of construction

Bautechnisches Prüfamt

An institution established by the Federal and  
Laender Governments



## European Technical Assessment

**ETA-11/0208**  
**of 29 September 2016**

English translation prepared by DIBt - Original version in German language

### General Part

Technical Assessment Body issuing the  
European Technical Assessment:

Deutsches Institut für Bautechnik

Trade name of the construction product

ROKU® AWM II / ROKU® AWM II light

Product family  
to which the construction product belongs

pipe collar

Manufacturer

Rolf Kuhn GmbH  
Jägersgrund 10  
57339 Erndtebrück  
DEUTSCHLAND

Manufacturing plant

Rolf Kuhn GmbH  
Jägersgrund 10  
57339 Erndtebrück  
DEUTSCHLAND

This European Technical Assessment  
contains

12 pages including 8 annexes which form an integral part  
of this assessment

This European Technical Assessment is  
issued in accordance with Regulation (EU)  
No 305/2011, on the basis of

Guideline for European technical approval of "Fire  
Stopping and Fire Sealing Products", ETAG 026 Part 2:  
"Penetration Seals",  
used as European Assessment Document (EAD)  
according to Article 66 Paragraph 3 of Regulation (EU)  
No 305/2011.

The European Technical Assessment is issued by the Technical Assessment Body in its official language. Translations of this European Technical Assessment in other languages shall fully correspond to the original issued document and shall be identified as such.

Communication of this European Technical Assessment, including transmission by electronic means, shall be in full. However, partial reproduction may only be made with the written consent of the issuing Technical Assessment Body. Any partial reproduction shall be identified as such.

This European Technical Assessment may be withdrawn by the issuing Technical Assessment Body, in particular pursuant to information by the Commission in accordance with Article 25(3) of Regulation (EU) No 305/2011.

## Specific Part

### 1 Technical description of the product

"ROKU<sup>®</sup> AWM II / ROKU<sup>®</sup> AWM II light" is a pipe collar consisting of a pipe collar enclosure and a fire-protective inlay.

The pipe collar enclosure shall be made of steel sheet and be sufficiently protected against corrosion. The fire-protective inlay shall be made of an intumescent material which expands under heat exposure.

The pipe collar shall have the dimensions stated in Annexes 2 to 4.

Detailed specifications and fire safety related performance criteria for the construction products are given in Annex 1.

NOTE:

The characteristics listed are suitable both for identifying the construction products as well as for performing the manufacturer's factory production control.

### 2 Specification of the intended use in accordance with the applicable European Assessment Document

"ROKU<sup>®</sup> AWM II / ROKU<sup>®</sup> AWM II light" is designed to form part of a pipe penetration seal for plastic pipes.

Pipe penetration seals are used to seal openings in fire resistant walls and floors, which are penetrated by pipes. Their aim is to preserve the walls' or floors' fire resistance in the area of the penetrations.

Within the scope of this ETA the fire resistance of a pipe seal was demonstrated that consisted of two pipes collars (for wall installations) or one pipe collar (for floor installations) and a joint sealing.

More detailed information and data on the verified penetration seals are given in Annexes 5 to 8. The performances given in Section 3 relate exclusively to these penetration seals (e.g. with respect to the design and arrangement of the penetration seals' components and the type and position of the services).

### 3 Performance of the product and references to the methods used for its assessment

#### 3.1 Intended use: use in penetration seals

Essential characteristic (BWR 2)	Performance
Reaction to fire	Pipe collar enclosure: Class A1 in accordance with Commission Decision 96/603/EC (as amended) Inlay: Class E in accordance with EN 13501-1
Fire resistance of a penetration seal <sup>1</sup>	Class EI 120-U/U or EI 180-U/C or EI 240-U/C in accordance with EN 13501-2

<sup>1</sup> The fire resistance depends on how the penetration seal is designed and/or installed and on the penetrating pipes: Annexes 5 to 8 include details on the penetration seals for which the fire resistance indicated was demonstrated.

English translation prepared by DIBt

### 3.2 General aspects

Testing the essential characteristics includes the verification of durability.

In end-use applications, the construction products described in section 1 may be used in accordance with the provisions applying to use category X (external use) without significant changes in the characteristics relevant for fire protection to be expected.

### 4 Assessment and verification of constancy of performance (AVCP) system applied, with reference to its legal base

In accordance with the guideline for European technical approval of "Fire Stopping and Fire Sealing Products", ETAG 026 Part 2: "Penetration Seals", January 2008, used as European Assessment Document (EAD), the applicable European legal act is: 1999/454/EC.

The system to be applied is: 1

### 5 Technical details necessary for the implementation of the AVCP system, as provided for in the applicable EAD

Technical details necessary for the implementation of the AVCP system are laid down in the control plan deposited with Deutsches Institut für Bautechnik.

Issued in Berlin on 29 September 2016 by Deutsches Institut für Bautechnik

Prof. Gunter Hoppe  
Head of Department

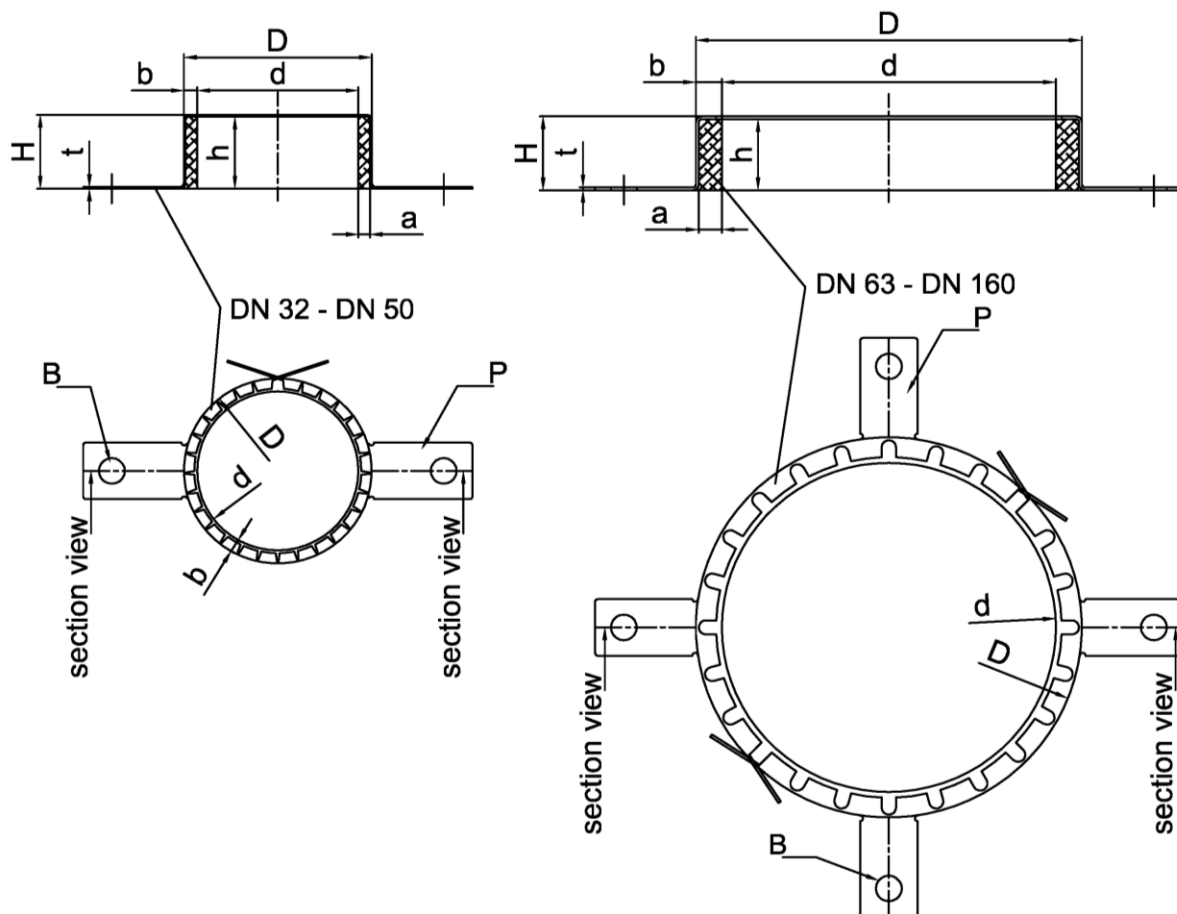
*beglaubigt:*  
Nadja Bisemeier

The factory manufactured construction product pipe collar " ROKU® AWM II / ROKU® AWM II lightt" consists of a pipe collar steel housing and n insert of an intumescent building material which is incorporated in multiple layers in the pipe collar housing.

Properties and performance criteria of the components of the construction products

Component	Description
"Pipe collar housing"	Dimensions: See Annex 1-3 Material: Sheet steel Classification of fire behavior: Class A1 according to the commission decision 96/603/EC (in the amended version)
"Insert"	Dimensions: See Annex 1-3 Material: Intumescent building material according to ETA-10/0117 Classification of the fire behavior according to EN 13501-1: Class E

ROKU® AWM II / ROKU® AWM II light	Annex 1
Description of the construction products, properties and performances	



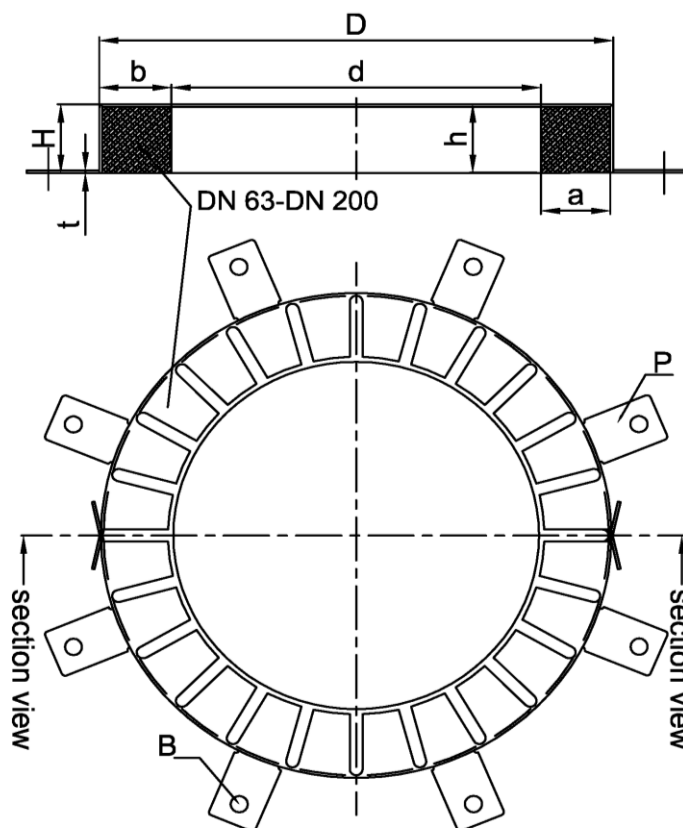
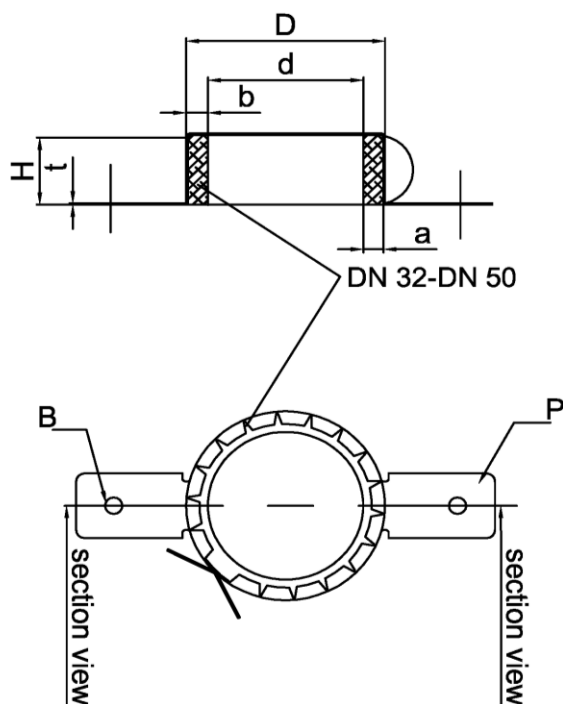
Pipe collar "ROKU® AWM II / ROKU® AWM II light"  
in the dimensions AWM II light

dA [mm]	d [mm]	D [mm]	b [mm]	t [mm]	H [mm]	P [Stck]	h [mm]	a [mm]	B [mm]
32	38	47	4,6	0,6	26,0	2	25,0	4,0 -0/+0,8	9,0
40	46	55	4,6	0,6	26,0	2	25,0	4,0 -0/+0,8	9,0
50	56	65	4,6	0,6	26,0	2	25,0	4,0 -0/+0,8	9,0
63	69	82	6,6	0,6	26,0	4	25,4	6,0 -0/+1,0	9,0
75	81	94	6,6	0,6	26,0	4	25,4	6,0 -0/+1,0	9,0
90	96	114	9,0	1,0	26,6	4	25,4	8,0 -0/+1,5	9,0
110	116	134	9,0	1,0	26,6	4	25,4	8,0 -0/+1,5	9,0
125	132	150	9,0	1,0	26,6	4	38,0	10 -0/+2,0	9,0
140	144	168	12	1,0	40,0	4	38,0	10 -0/+2,0	9,0
160	164	188	12	1,0	40	4	38,0	10 -0/+2,0	9,0

ROKU® AWM II / ROKU® AWM II light

Design of the pipe collar in the size ROKU® AWM II light

Annex 2



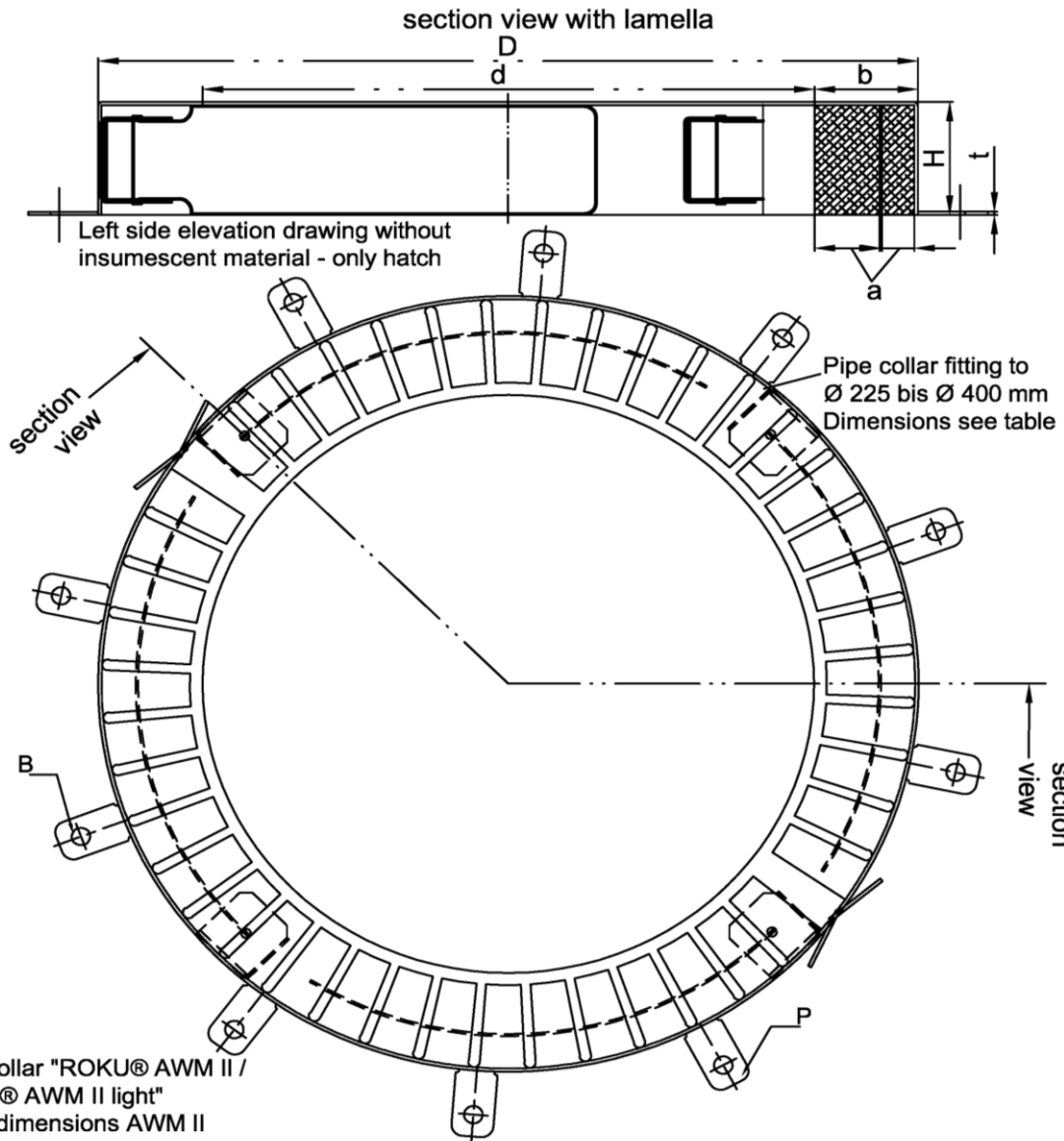
Pipe collar "ROKU® AWM II /  
ROKU® AWM II light"  
in the dimensions AWM II

dA [mm]	d [mm]	D [mm]	b [mm]	t [mm]	H [mm]	P [Stck]	h [mm]	a [mm]	B [mm]
32	36	50	7,0	0,6	26,0	2	25,4	6,4 $\pm$ 0,5	6,0
40	44	58	7,0	0,6	26,0	2	25,4	6,4 $\pm$ 0,5	6,0
50	54	68	7,0	0,6	26,0	2	25,4	6,4 $\pm$ 0,5	6,0
63	67	94	13,5	0,6	26,0	4	25,4	12,8 $\pm$ 1,0	6,0
75	79	106	13,5	0,6	26,0	4	25,4	12,8 $\pm$ 1,0	6,0
90	94	132	18,3	1,1	26,6	4	25,4	17,1 $\pm$ 1,0	9,0
110	114	155	20,5	1,1	26,6	4	25,4	19,2 $\pm$ 1,5	9,0
125	129	172	20,5	1,1	40,0	4	38,1	19,2 -0/+1,5	9,0
140	144	200	28,0	1,1	40,0	4	38,1	25,6 -0/+2,0	9,0
160	164	220	28,0	1,1	40,0	4	38,1	25,6 -0/+2,0	9,0
180	184	264	40,0	1,5	40,0	8	38,1	38,4 $\pm$ 3,0	9,0
200	204	284	40,0	1,5	40,0	8	38,1	38,4 $\pm$ 3,0	9,0

ROKU® AWM II / ROKU® AWM II light

Design of the pipe collar in the size ROKU® AWM II

Annex 3



dA [mm]	d [mm]	D [mm]	b [mm]	t [mm]	H [mm]	P [Stck]	h [mm]	a [mm]	B [mm]
225	239	328	44,5	1,5 / 1,0	51,5	10	50	42,0 ± 3,0	8,0
250	264	353	44,5	1,5 / 1,0	51,5	10	50	42,0 ± 3,0	8,0
280	289	378	44,5	1,5 / 1,0	51,5	12	50	42,0 ± 3,0	8,0
300	314	403	44,5	1,5 / 1,0	51,5	12	50	42,0 ± 3,0	8,0
315	328	417	44,5	1,5 / 1,0	51,5	12	50	42,0 ± 3,0	8,0
355	370	459	44,5	1,5 / 1,0	51,5	12	50	42,0 ± 3,0	8,0
400	415	504	44,5	1,5 / 1,0	51,5	12	50	42,0 ± 3,0	8,0

ROKU® AWM II / ROKU® AWM II light

Design of the pipe collar in the size ROKU® AWM II

Annex 4



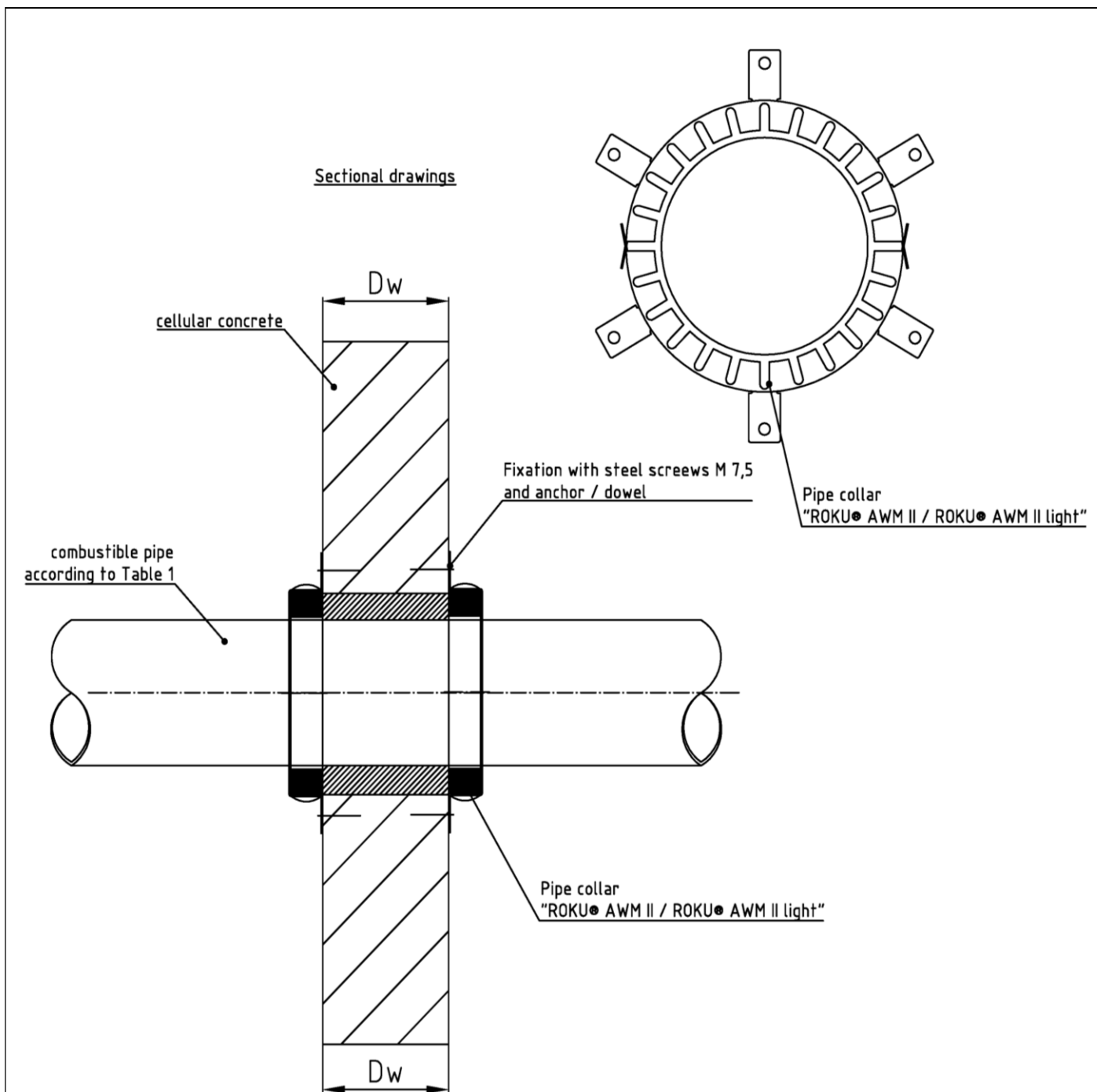


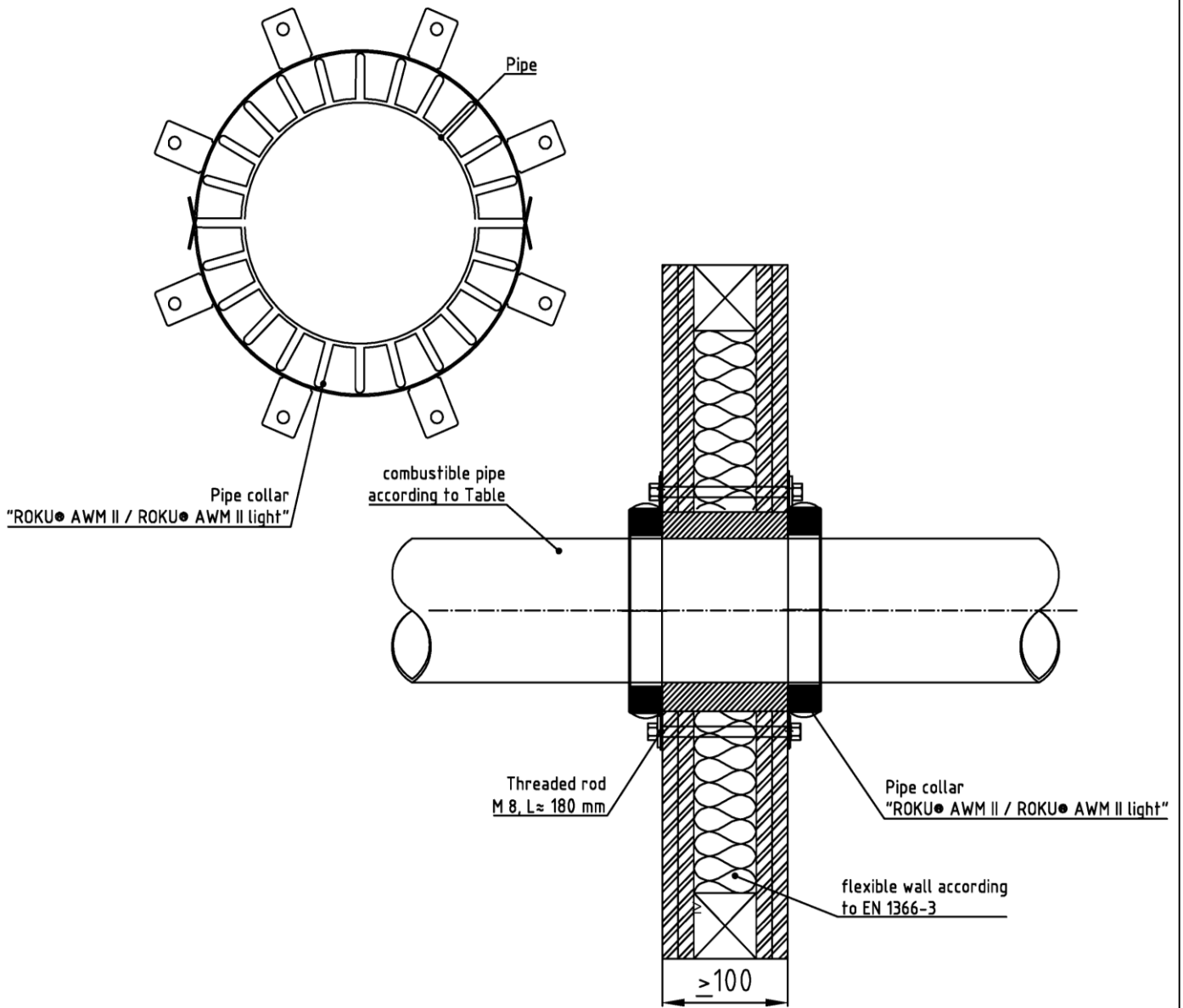
Table 1

Type of pipe	Ø [mm]	s [mm]	Pipe collar size	$\rho_{Wand}$	$D_w$ [mm]	Classification
PVC	200	9,6	AWM II 200	550 kg/m <sup>3</sup>	100	EI 240-U/C

ROKU® AWM II / ROKU® AWM II light

Example for a pipe sealing of fire resistance class EI 240-U/C, using pipe collar "ROKU® AWM II / ROKU® AWM II light", in the size ROKU® AWM II, Ø 200

Annex 5



**Flexible wall**

CW 50x50x0,6 u. UW 50x40x0,6 according to DIN 18182-01  
2 x 12,5 mm gypsum board F / EN 520-G25/2,5 according to EN 520 two layers on both sides  
40 mm mineral wool insulation,  $\rho$  100kg/m<sup>3</sup>, melting point  $\geq 1000^\circ\text{C}$ , A1 according to EN 13501-1

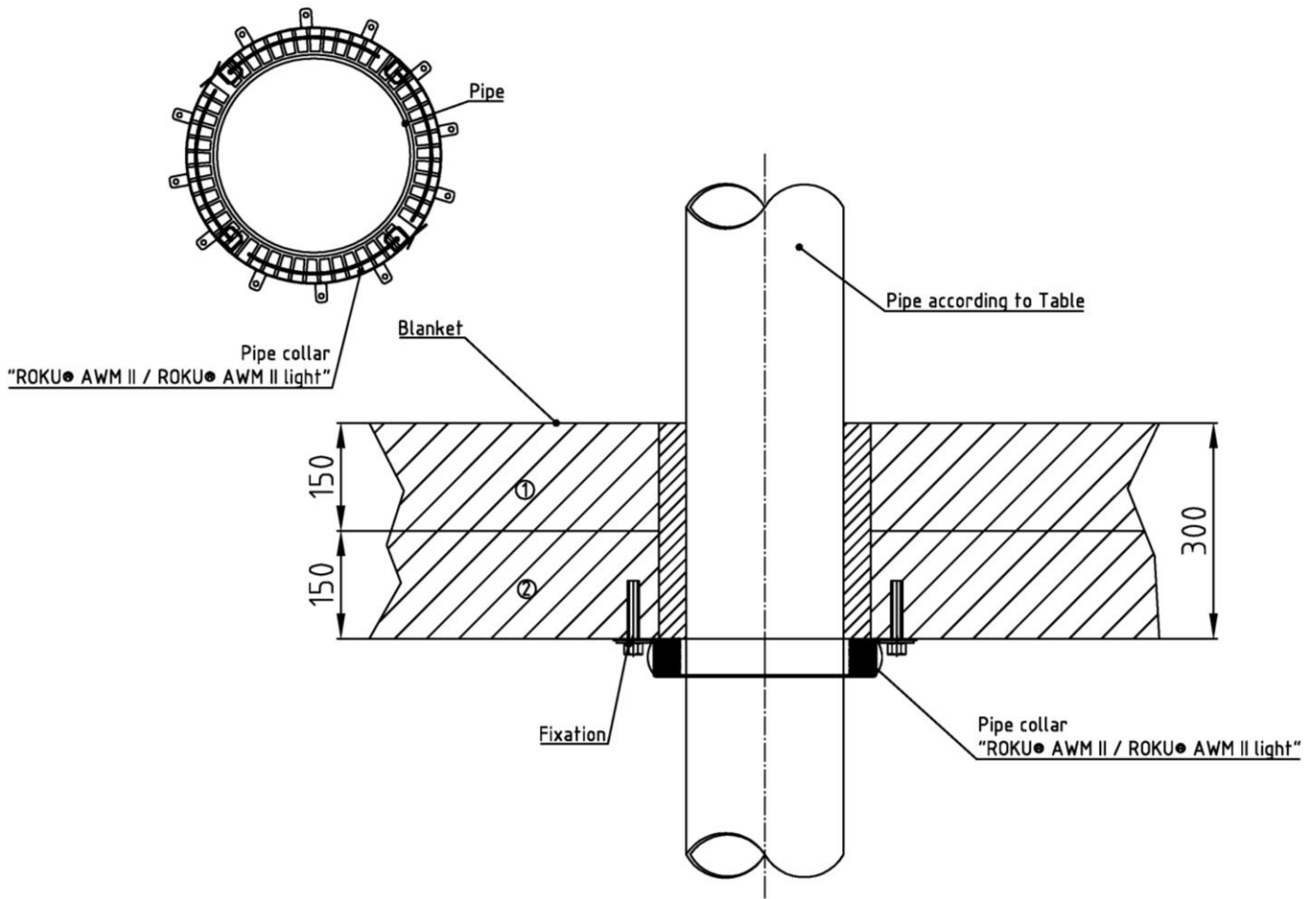
Pipe			
Type of pipe	$\varnothing$ [mm]	s [mm]	Pipe collar size
Coolfit	180	/	AWM II 180

ROKU® AWM II / ROKU® AWM II light

Example for a pipe sealing of fire resistance class EI 120-U/C, using pipe collar "ROKU® AWM II/ ROKU® AWM II light", in the size ROKU® AWM II,  $\varnothing$  180

Annex 6

English translation prepared by DIBt



**Blanket**

- 1 Aerated concrete blocks d = 150 mm; 600 - 650 kg/m<sup>3</sup>
- 2 Aerated concrete panels d = 150 mm; 450 - 500 kg/m<sup>3</sup>

Pipe			
Type of pipe	Ø [mm]	s [mm]	Pipe collar size
PVC	400	11,7	AWM II 400

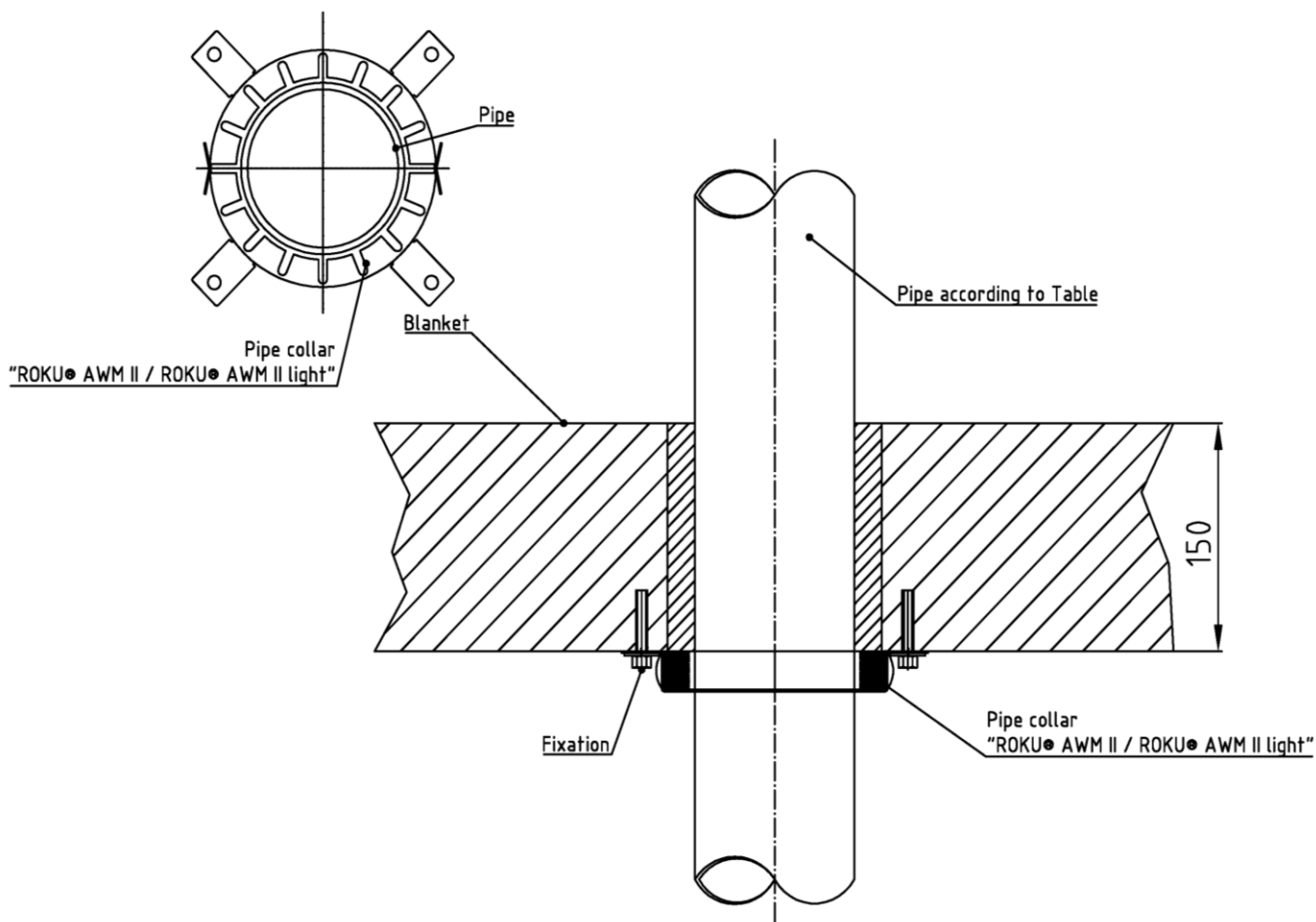
**Fixation:**

Screws MMS-P 7,5 x 45  
and  
metal multipurpose anchors 8 x 38

ROKU® AWM II / ROKU® AWM II light

Example for a pipe sealing of fire resistance class EI 180-U/C or E 240-U/C, using pipe collar "ROKU® AWM II/ ROKU® AWM II light", in the size ROKU® AWM II, Ø 400

Annex 7



Blanket  
Aerated concrete according to EN 1366-3

Pipe			
Type of pipe	Ø [mm]	s [mm]	Pipe collar size
PP	110	2,7	AWM II light 110

Fixation:  
Screws MMS-P 7,5 x 45  
and  
metal multipurpose anchors 8 x 38

ROKU® AWM II / ROKU® AWM II light

Example for a pipe sealing of fire resistance class EI 120-U/U, using pipe collar "ROKU® AWM II/ ROKU® AWM II light", in the size ROKU® AWM II light, Ø 110

Annex 8