

Approval body for construction products
and types of construction

Bautechnisches Prüfamt

An institution established by the Federal and
Laender Governments



European Technical Assessment

ETA-16/0013
of 29 January 2016

English translation prepared by DIBt - Original version in German language

General Part

Technical Assessment Body issuing the
European Technical Assessment:

Deutsches Institut für Bautechnik

Trade name of the construction product

HPL - Flat String Stair System Schön

Product family
to which the construction product belongs

Prefabricated stair with strings made of flat laminate and
steps made of solid wood for use as an indoor stair in
buildings

Manufacturer

Joachim und Michael Schön GbR
Am Wolfsgestell 13
56477 Rennerod
DEUTSCHLAND

Manufacturing plant

Herstellwerk 1 bis 99

This European Technical Assessment
contains

13 pages including 3 annexes which form an integral part
of this assessment

This European Technical Assessment is
issued in accordance with Regulation (EU)
No 305/2011, on the basis of

Guideline for European technical approval of
"Prefabricated stair kits", ETAG 008 Part 1: "Prefabricated
stair kits in general (excluding severe climatic
conditions)", January 2002,
used as European Assessment Document (EAD)
according to Article 66 Paragraph 3 of Regulation (EU)
No 305/2011.

The European Technical Assessment is issued by the Technical Assessment Body in its official language. Translations of this European Technical Assessment in other languages shall fully correspond to the original issued document and shall be identified as such.

Communication of this European Technical Assessment, including transmission by electronic means, shall be in full. However, partial reproduction may only be made with the written consent of the issuing Technical Assessment Body. Any partial reproduction shall be identified as such.

This European Technical Assessment may be withdrawn by the issuing Technical Assessment Body, in particular pursuant to information by the Commission in accordance with Article 25(3) of Regulation (EU) No 305/2011.

Specific Part

1 Technical description of the product

The HPL - Flat String Stair System Schön is a prefabricated stair system, which consists of steps, strings and system fasteners. The steps are connected with the strings on both sites by system fasteners. The steps and are made of solid wood (only hardwood), the strings are made of high-pressure laminates (HPL) and the system fasteners are made of steel.

The product description is given in Annex A.

2 Specification of the intended use in accordance with the applicable European Assessment Document

The performances given in Section 3 are only valid if the stair is used in compliance with the specifications and conditions given in Annex B.

The verification and assessment methods on which this European Technical Assessment is based lead to the assumption of a working life of the stair of at least 50 years. The indications given on the working life cannot be interpreted as a guarantee given by the producer, but are to be regarded only as a means for choosing the right products in relation to the expected economically reasonable working life of the works.

3 Performance of the product and references to the methods used for its assessment

3.1 Mechanical resistance and stability (BWR 1)

Essential characteristic	Performance
Load-bearing capacity	See Annex C2
Load/displacement behaviour	See Annex C2
Vibration behaviour	First natural frequency: $f_1 \geq 5$ Hz (inclusive a single mass of 100 kg) Deflection under a single load $F = 1$ kN: $w \leq 5$ mm
Prevention of progressive collapse	Failure of individual components of the stair does not lead to a progressive collapse of the complete stair
Residual load-bearing capacity	Local material failure does not lead to an abrupt total loss of load-bearing capacity of the steps.
Long-term behaviour	Load-bearing capacity are ensured under an appropriate use and maintenance over the indicated working life
Resistance to earthquakes	No performance assessed
Resistance of fixings	See technical documentation of this this European Technical Assessment

English translation prepared by DIBt

3.2 Safety in case of fire (BWR 2)

Essential characteristic	Performance
Reaction to fire	See Annex A4
Fire resistance	No performance assessed

3.3 Hygiene, health and the environment (BWR 3)

The HPL products used fulfil the class E1 according to EN 438-7:2005.

Regarding dangerous substances there may be requirements (e.g. transposed European legislation and national laws, regulations and administrative provisions) applicable to the products falling within the scope of this European Technical Assessment. In order to meet the provisions of Regulation (EU) No 305/2011, these requirements need also to be complied with, when and where they apply.

3.4 Safety in use (BWR 4)

Essential characteristic	Performance
Geometry	See Annex C1
Slipperiness	No performance assessed
Equipment of the stair for a safe use	No performance assessed
Safe breakage of components	No brittle failure of individual components
Impact resistance	No performance assessed

3.5 General aspects

Essential characteristic	Performance
Resistance to deterioration caused by physical, chemical and biological agents	Adequate resistance for the intended use under an appropriate use and maintenance
Finishes and surface layers	Components made of solid wood can be coated with varnish on all sides or they are oiled

4 Assessment and verification of constancy of performance (AVCP) system applied, with reference to its legal base

In accordance with guideline for European technical approval ETAG 008, January 2002, used as European Assessment Document (EAD) according to Article 66 Paragraph 3 of Regulation (EU) No 305/2011, the applicable European legal act is: 99/89/EC

The System to be applied is: 2+

In addition, with regard to reaction to fire for products covered by the guideline for European technical approval ETAG 008, January 2002, used as European Assessment Document (EAD) according to Article 66 Paragraph 3 of Regulation (EU) No 305/2011, the applicable European legal act is: 2001/596/EC

The System to be applied is: 4

English translation prepared by DIBt

5 Technical details necessary for the implementation of the AVCP system, as provided for in the applicable European Assessment Document

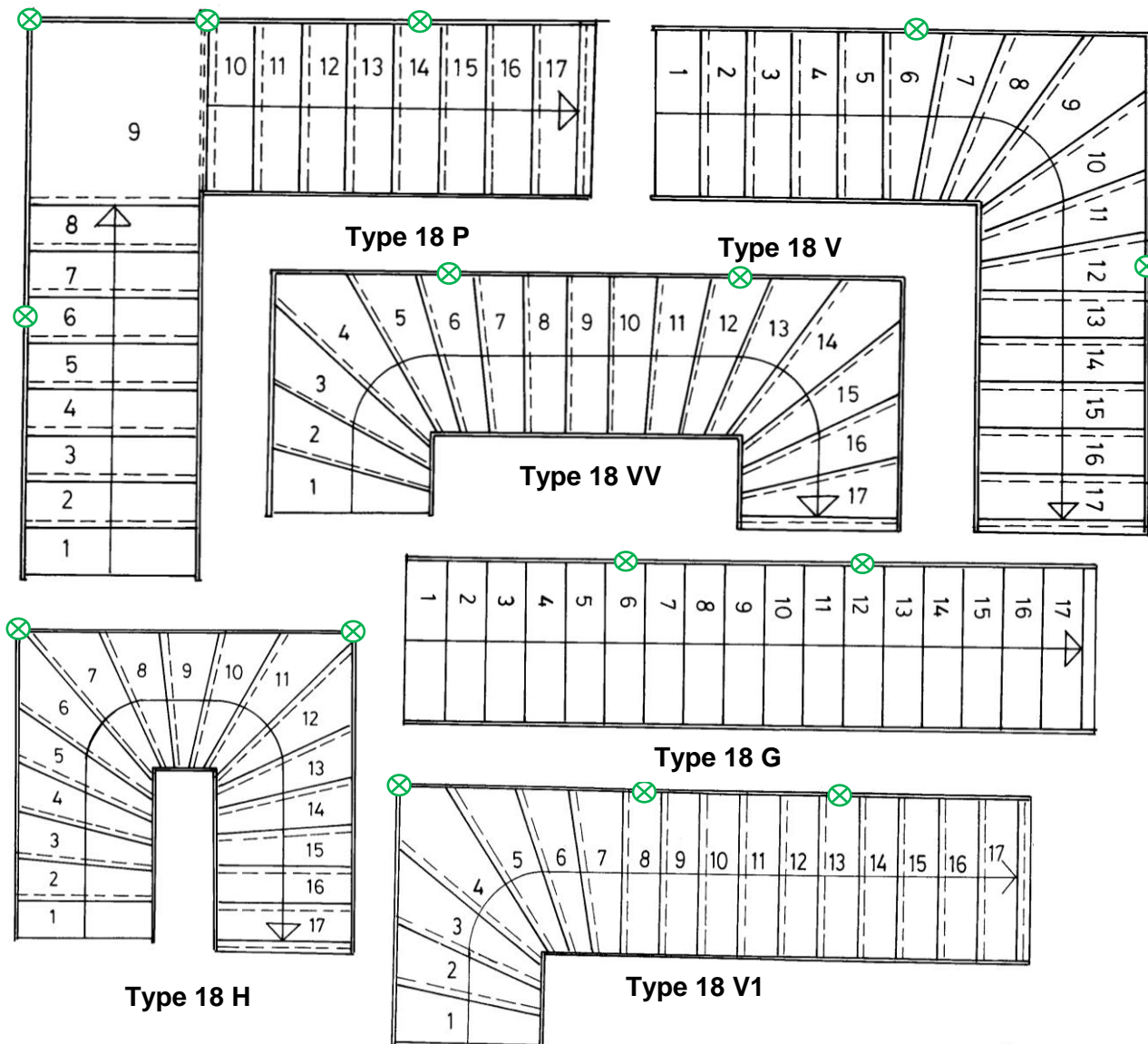
Technical details necessary for the implementation of the AVCP system are laid down in the control plan deposited at Deutsches Institut für Bautechnik.

Issued in Berlin on 29 January 2016 by Deutsches Institut für Bautechnik

Uwe Bender
Head of Department

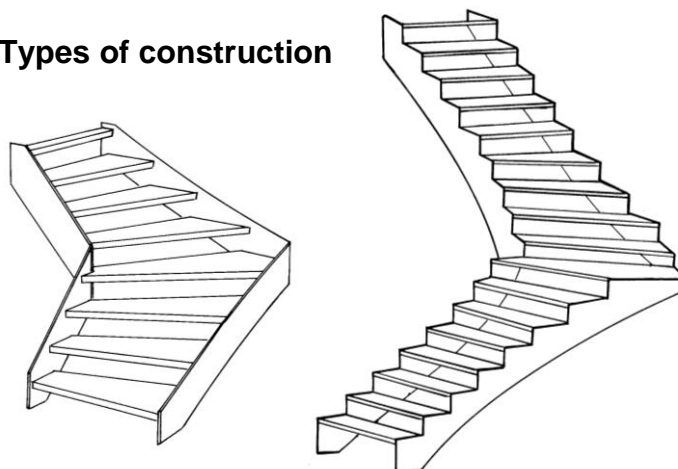
beglaubigt:
Wittstock

Types of plan



⊗ Additional support at maximum number of steps (supports for less steps according to technical documentation)

Types of construction

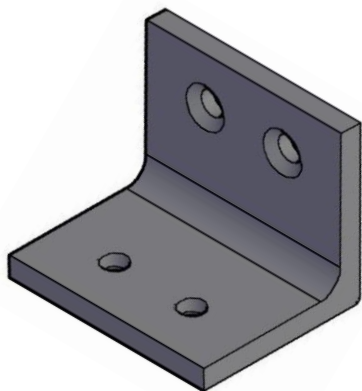


HPL – Flat String Stair System Schön

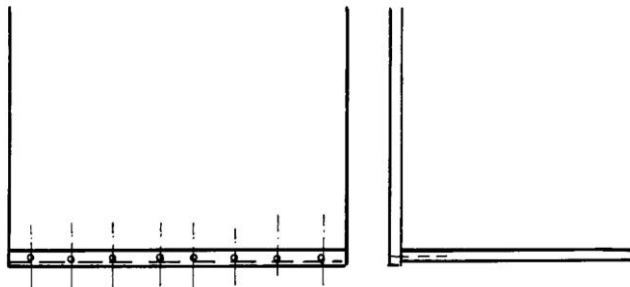
Product and intended use

Annex A1

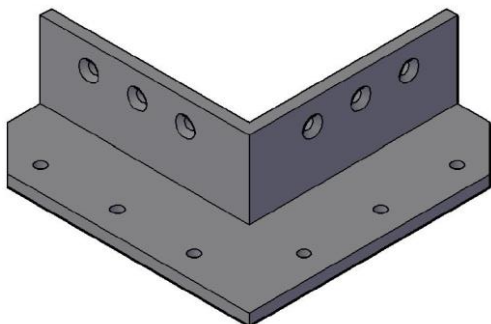
Step-string-joint



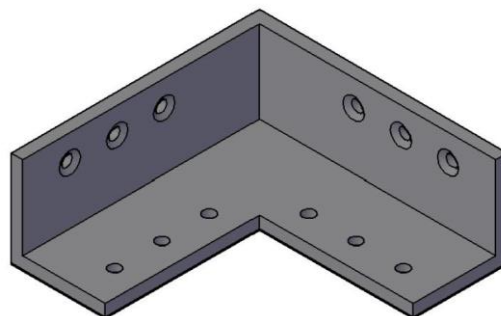
Corner of strings



String-corner joint wall-free side

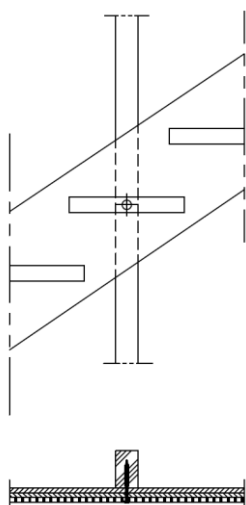


String-corner joint wall side

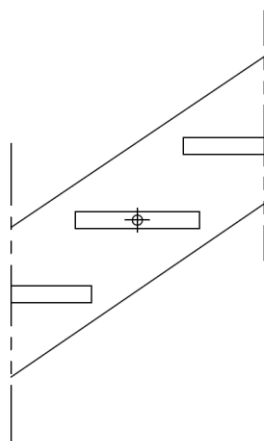


Corner support / Intermediate support

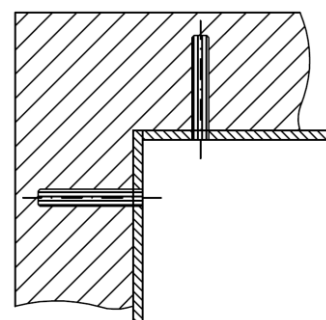
Wood frame wall



Concrete wall



Masonry wall



more details according to the technical documentation

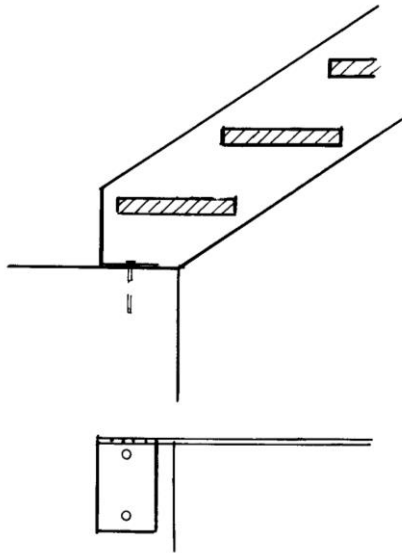
HPL – Flat String Stair System Schön

Step-string joint, Corner of strings,
String-corner joint, Wall fixing

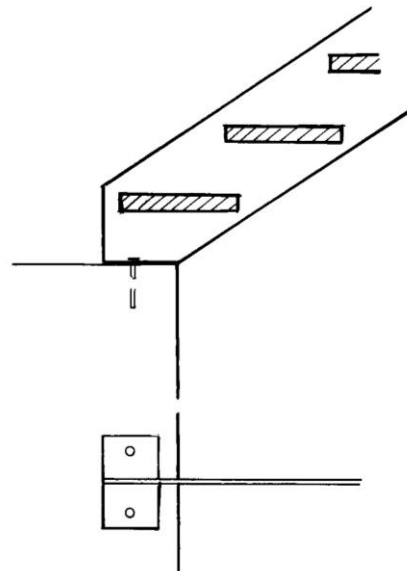
Annex A2

Joint at bottom

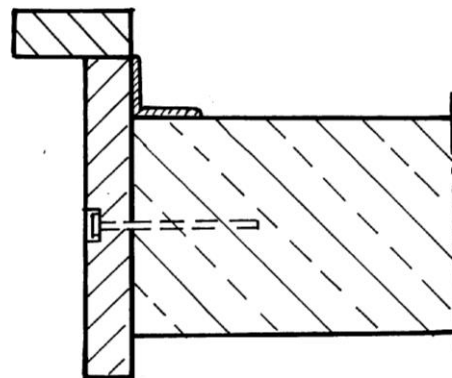
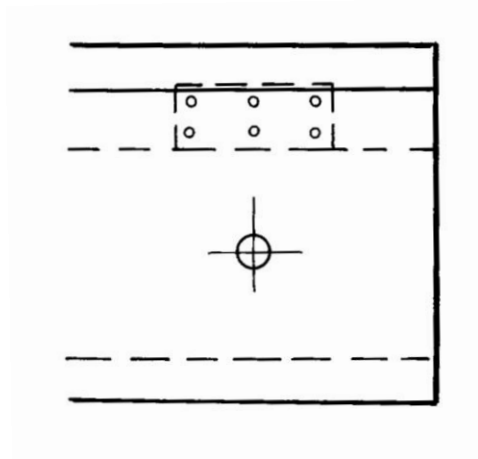
Wall side



Wall-free side



Joint at top



more details according to the technical documentation

HPL – Flat String Stair System Schön

Annex A3

Joint at bottom and top

Table 1: Minimum dimensions of relevant stair components and reaction to fire

Component	Material ¹⁾	Dimension		Value	Reaction to fire
Steps	Solid wood / wood based products ²⁾	Thickness	[mm]	42	D-s2, d0
String (straight)	High-pressure laminate (HPL)	Thickness x Height	[mm]	14 x 320	D-s2, d0
Cut string				14 x 220...280 ⁴⁾	
Wall tie	Steel	Diameter	[mm]	25	A1
Angle joint, System fastener	Steel	- ³⁾			A1

¹⁾ characteristic values of material according to technical documentation

²⁾ only hardwood of the following species: beech, oak, mahogany, birch, merbau, maple, nut tree, cheery tree, ash

³⁾ according to technical documentation

⁴⁾ minimum value between rear edge of the step and the bottom edge of the string = height of the string, depending at the type of plan according to technical documentation

HPL – Flat String Stair System Schön

Annex A4

Minimum dimensions of relevant stair components and reaction to fire

Specification of intended use (Part 1)

Intended use:

- European Technical Assessment applies for a construction system.
- For the specific case of use the corresponding type of stair is manufactured within the context of the values defined in this European Technical Assessment.
- Values of this ETA apply to all types of stairs, the real dimensions follow in accordance with the relevant case of use.

Stair subject to:

- Static and quasi static loads

Use conditions:

- Indoor stair
- Air temperatures between +5 °C and +30 °C
- Relative air humidity between 30% and 70%
- To the individual requirements handrail and barrier can be attached to the stair optionally. Conditions for possible handrail/barrier:

Dead load ≤ 0.20 kN/m

Horizontal load at height ≤ 0.90 m

Distance of baluster ≤ 0.27 m

Design:

- Design of the stair according to the annexes and the technical documentation of this European Technical Assessment.
- Fastening of the stair to the construction works according to the annexes and the technical documentation of this Technical European Assessment.
- Verification of the transmission of loads to the construction works by the civil engineer responsible for the construction works.
- Load bearing capacity at ultimate limit state:

$$q_k \cdot \gamma_Q \leq q_{Rk} / \gamma_M$$

$$Q_k \cdot \gamma_Q \leq Q_{Rk} / \gamma_M$$

$$h_k \cdot \gamma_Q \cdot \psi_0 \leq h_{Rk} / \gamma_M$$

with

q_{Rk}, Q_{Rk}, h_{Rk} : characteristic values of resistance; see Table 3

γ_M : recommended material partial safety factor; see Table 3

q_k, Q_k, h_k : characteristic values of imposed loads according to EN 1991-1-1:2010-12

$\gamma_Q = 1.5$: recommended partial safety factor, in absence of other national regulations

$\psi_0 = 0.7$: recommended combination factor, in absence of other national regulations

- Maximum characteristic values of imposed loads under consideration of the partial factors mentioned above; see Table 5

HPL – Flat String Stair System Schön

Specification of intended use (Part 1)

Annex B1

Specification of intended use (Part 2)

Installation:

- Installation by personal appropriately trained and authorized by the holder of the assessment by means of the technical documentation of this European Technical Assessment
- Installation only in the way as specified in the technical documentation of this European Technical Assessment
- Installation of timber components when moisture content of timber components is $8 \pm 2 \%$
- Sufficient support of the stair when assembling
- Installation of stair components without imposed deformations
- Installation of stair components without significant defects and cracks
- Replacing of stair components, which begin tearing when assembling
- Bolted connection are protected such that they will not be loosened by vibrations

Indication of the manufacturer:

- Ensure that all persons involved will be appropriately informed about the specific conditions according to sections 1 and 2 (including the annexes to which reference is being made as well as the not confidential parts of the technical documentation deposited to this European Technical Assessment)
- Packaging of timber components such that the wood moisture is $8 \pm 2 \%$ during transport and storage
- Instructions for use should provide information as to use, maintenance and repair of the stair including the information of avoidance of moisture penetration of the timber components

HPL – Flat String Stair System Schön

Specification of intended use (Part 2)

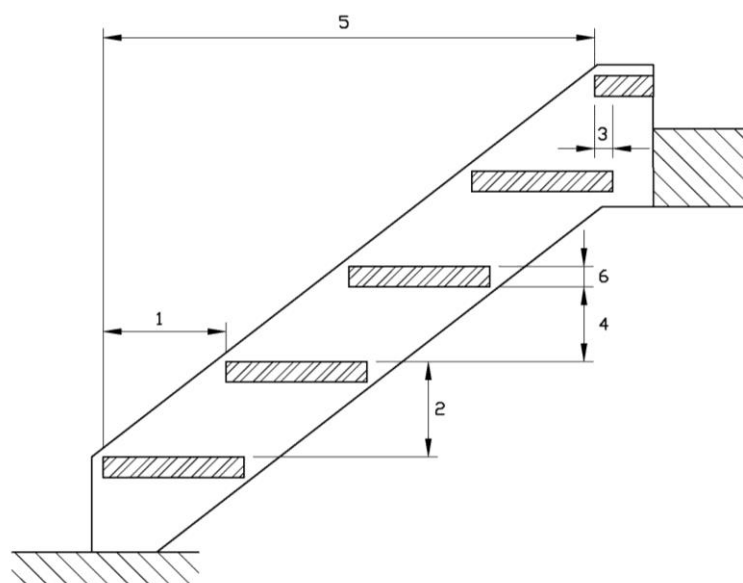
Annex B2

Table 2: Geometry

Designation			Dimension	
			Minimum	Maximum
Going	Step on walking line ¹⁾	[mm]	270	370 ²⁾
	Tapered step	[mm]	120 ^{2) 3)}	530 ^{2) 4)}
Rise of the stair ¹⁾		[mm]	140 ²⁾	210
Pitch of the walking line ¹⁾		[°]	21	45
Overlap of the steps	Wall side	[mm]	40	- ⁵⁾
	Wall-free side	[mm]	40	- ⁵⁾
Number of rises		[-]	3	18
Openings	Between stairs and wall	[mm]	- ⁵⁾	0
	Between consecutive steps	[mm]	- ⁵⁾	168
Clear width of stairs		[mm]	500	1000
Minimum headroom		[mm]	- ⁵⁾	
Length of the flight		[mm]	- ⁵⁾	4590 (5130) ⁶⁾
Thickness of steps		[mm]	42	- ⁵⁾

- 1) values are constant within one flight
- 2) tolerance between nominal value and actual value = ± 5 mm
- 3) inside of tapered step
- 4) outside of tapered step
- 5) not relevant
- 6) with landing

- 1 **Going**
- 2 **Rise**
- 3 **Overlap**
- 4 **Opening between consecutive steps**
- 5 **Length of the flight**
- 6 **Thickness of step**



HPL – Flat String Stair System Schön

Geometry

Annex C1

Table 3: Load-bearing capacity – Characteristic values of resistance

Component	Type of Loading	Characteristic values of resistance			γ_M
Flight of the stair	Vertical variable uniformly distributed load	$q_{R,k}$	[kN/m ²]	6.8	1,5 ¹⁾
	Vertical variable single load	$Q_{R,k}$	[kN]	4.5	
	Horizontal variable uniformly distributed load on barrier	$h_{R,k}$	[kN/m]	0.8	
Joint at top	Vertical variable uniformly distributed load	$q_{R,k}$	[kN/m ²]	5.6	1,25 ²⁾
	Vertical variable single load	$Q_{R,k}$	[kN]	3.8	
	Horizontal variable uniformly distributed load on barrier	$h_{R,k}$	[kN/m]	0.7	

¹⁾ Recommended partial safety factor (wood decisive), in absence of other national regulations

²⁾ Recommended partial safety factor (wood screw decisive), in absence of other national regulations

Table 4: Deflections under loading

Deflections of the flight under uniformly distributed load			
Uniformly distributed load	q_k	[kN/m ²]	3.0
Length of the median line of the flight	L	[mm]	4590 ¹⁾
Deflection related to the median line of flight	w	[-]	≤ L/200
Deflection of the step under single point load			
Single load	Q_k	[kN]	2.0
Clear width of the stair	L	[mm]	1000
Deflection related to the clear width of stair	w	[-]	≤ L/200

¹⁾ Type 18 P: L = 3105 mm, distance between supports of string (wall-free side)

Table 5: Imposed loads

Type of loading	Imposed loads		
Vertical variable uniformly distributed load	q_k	[kN/m ²]	3.0
Vertical variable single load	Q_k	[kN]	2.0
Horizontal variable uniformly distributed load on barrier	h_k	[kN/m]	0.5

HPL – Flat String Stair System Schön

Load-bearing-capacity – Characteristic values of resistance
Deflections under loading
Imposed loads

Annex C2