

Approval body for construction products
and types of construction

Bautechnisches Prüfamt

An institution established by the Federal and
Laender Governments



European Technical Assessment

ETA-16/0131
of 30 September 2016

English translation prepared by DIBt - Original version in German language

General Part

Technical Assessment Body issuing the
European Technical Assessment:

Deutsches Institut für Bautechnik

Trade name of the construction product

Bodenablauf GESt...

Product family
to which the construction product belongs

product for penetration seals

Manufacturer

GESt GmbH
Am Bauhof 7
64807 Dieburg
DEUTSCHLAND

Manufacturing plant

Günther Edelstahltechnik GESt GmbH
Am Bauhof 7
64807 Dieburg

This European Technical Assessment
contains

7 pages including 3 annexes which form an integral part
of this assessment

This European Technical Assessment is
issued in accordance with Regulation (EU)
No 305/2011, on the basis of

Guideline for European technical approval of "Fire
Stopping and Fire Sealing Products", ETAG 026 Part 2:
"Penetration Seals",
used as European Assessment Document (EAD)
according to Article 66 Paragraph 3 of Regulation (EU)
No 305/2011.

The European Technical Assessment is issued by the Technical Assessment Body in its official language. Translations of this European Technical Assessment in other languages shall fully correspond to the original issued document and shall be identified as such.

Communication of this European Technical Assessment, including transmission by electronic means, shall be in full. However, partial reproduction may only be made with the written consent of the issuing Technical Assessment Body. Any partial reproduction shall be identified as such.

This European Technical Assessment may be withdrawn by the issuing Technical Assessment Body, in particular pursuant to information by the Commission in accordance with Article 25(3) of Regulation (EU) No 305/2011.

Specific Part

1 Technical description of the products

The construction product "GEst Floor Drain..." essentially comprises a drain body with drainpipe, a strainer basket, a trap with fire protection inlay ("fire protection odour bell") and a cover.

The fire protection bell comprises a stainless steel moulding with an inlay made from an intumescent material which expands when exposed to heat, and a stainless steel blank.

All other mouldings of the floor drain are made from stainless steel.

Several product designs are possible.

Detailed technical descriptions and fire safety related performance criteria for the construction product are given in Annex 1.

Detailed information on the construction product's components are deposited with Deutsches Institut für Bautechnik.

NOTE:

The characteristics listed are suitable both for identifying the construction product as well as for performing the manufacturer's factory production control.

2 Specification of the intended use in accordance with the applicable European Assessment Document

The construction product "GEst floor drain..." is intended for use in fire-resistant pipe penetration seals.

The pipe penetration seals serve to maintain the fire resistance of floors in the area of penetrations for pipes connected to a floor drain; the rest of the opening between the floor drain and the circular edge of the building element was completely filled with a non-combustible mineral mortar of floor quality. The floor drain's trap was filled with water.

Within the scope of this ETA, the fire resistance was demonstrated for a pipe penetration seal in accordance with Annexes 1 to 3.

The performance characteristics given in Section 3 apply exclusively to these penetration seals (e.g. with respect to the design and arrangement of the components of the penetration seals as well as the type and position of the services).

3 Performance of the product and references to the methods used for its assessment

3.1 Intended use: use in penetration seals

3.2 Safety in case of fire (BWR 2)

Essential characteristic	Performance
Fire resistance of a penetration seal (for details see Annexes 1 to 3), incorporating the product ^{1,2} (with the fire protection bell installed into the floor drain)	Class EI 120 in accordance with EN 13501-2

¹ The fire resistance depends on the arrangement/installation of the penetration seal and the other components forming the penetration seal. Details on the penetration seal for which the fire resistance indicated was demonstrated are given in Annex 3.

² Technical provisions of the Member States relating to the design of service ducts and the admissibility of penetrations shall remain unaffected.

English translation prepared by DIBt

4 Assessment and verification of constancy of performance (AVCP) system applied, with reference to its legal base

In accordance with the European Technical Approval Guideline "Fire Stopping and Fire Sealing Products", ETAG 026, Part 2: "Penetration Seals", January 2008, which is used as European Assessment Document (EAD), the following legal base shall apply: 1999/454/EC.

The system to be applied is: system 1.

5 Technical details necessary for the implementation of the AVCP system, as provided for in the applicable EAD

The technical details necessary for the implementation of the AVCP system are laid down in the control plan deposited with Deutsches Institut für Bautechnik.

Issued in Berlin on 30 September 2016 by Deutsches Institut für Bautechnik

Prof. Gunter Hoppe
Head of Department

beglaubigt:

The factory produced construction products "Bodenablauf GEst..." consist of a drain of stainless steel with a special trap "Brandschutzglocke" (BSG).

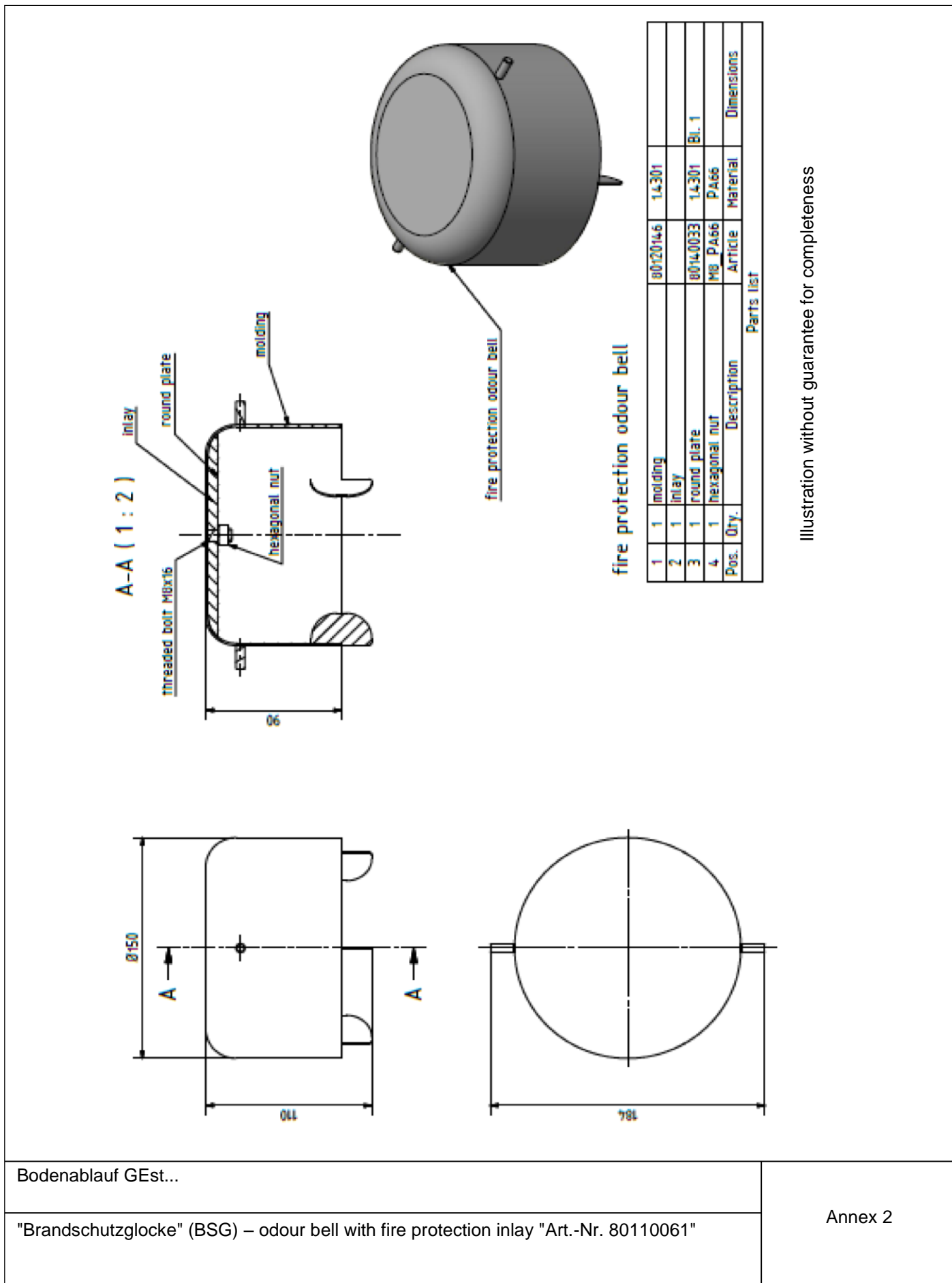
"Bodenablauf GEst ...":

Component	Description
"Ablaufkörper mit Ablaufrohr" ("drain with drainpipe")	Material: stainless steel, material-number 1.4301 Reaction to fire classification: Class A1 according to the commission decision 96/603/EG (in the amended version) Type "DN100-A1-F2-G3-S1-D", Type "DN100-A1-F1-G3-S1-Q, Typ "DN100-A1-F2-G3-S1-ISO-Q" and Type "DN100-A1-F2-G3-S1-Q
"Siebkorb" ("dirt-filter")	Material: stainless steel, material-number 1.4301 Reaction to fire classification: Class A1 according to the commission decision 96/603/EG (in the amended version)
"Plattenabdeckung" ("cover")	Material: stainless steel, material-number 1.4301 Reaction to fire classification: Class A1 according to the commission decision 96/603/EG (in the amended version)
"Brandschutzglocke" (BSG) ("fire protection bell")	"Molding" Material: stainless steel, material-number 1.4301 Reaction to fire classification: Class A1 according to the commission decision 96/603/EG (in the amended version) "Inlay" Material: intumescent material "Flammadur A 365" ¹ "Round plate" Material: stainless steel, material-number 1.4301 Reaction to fire classification: Class A1 according to the commission decision 96/603/EG (in the amended version) Art.-Nr. 80110061 (with threaded bolt (M8 x 16) and hexagonal nut, polyamide) or Art.-Nr. 8012008

The use of the construction product "Bodenablauf Gest..." shall be in accordance with national requirements for planning, design and execution and in accordance with the installation instruction of the manufacturer.

¹ Details to the material are deposited at DIBt.

Bodenablauf GEst...	Annex 1
Description of the construction products, properties and performances	



electronic copy of the eta by dibt: eta-16/0131

Bodenablauf GEst...

"Brandschutzglocke" (BSG) – odour bell with fire protection inlay "Art.-Nr. 80110061"

Annex 2

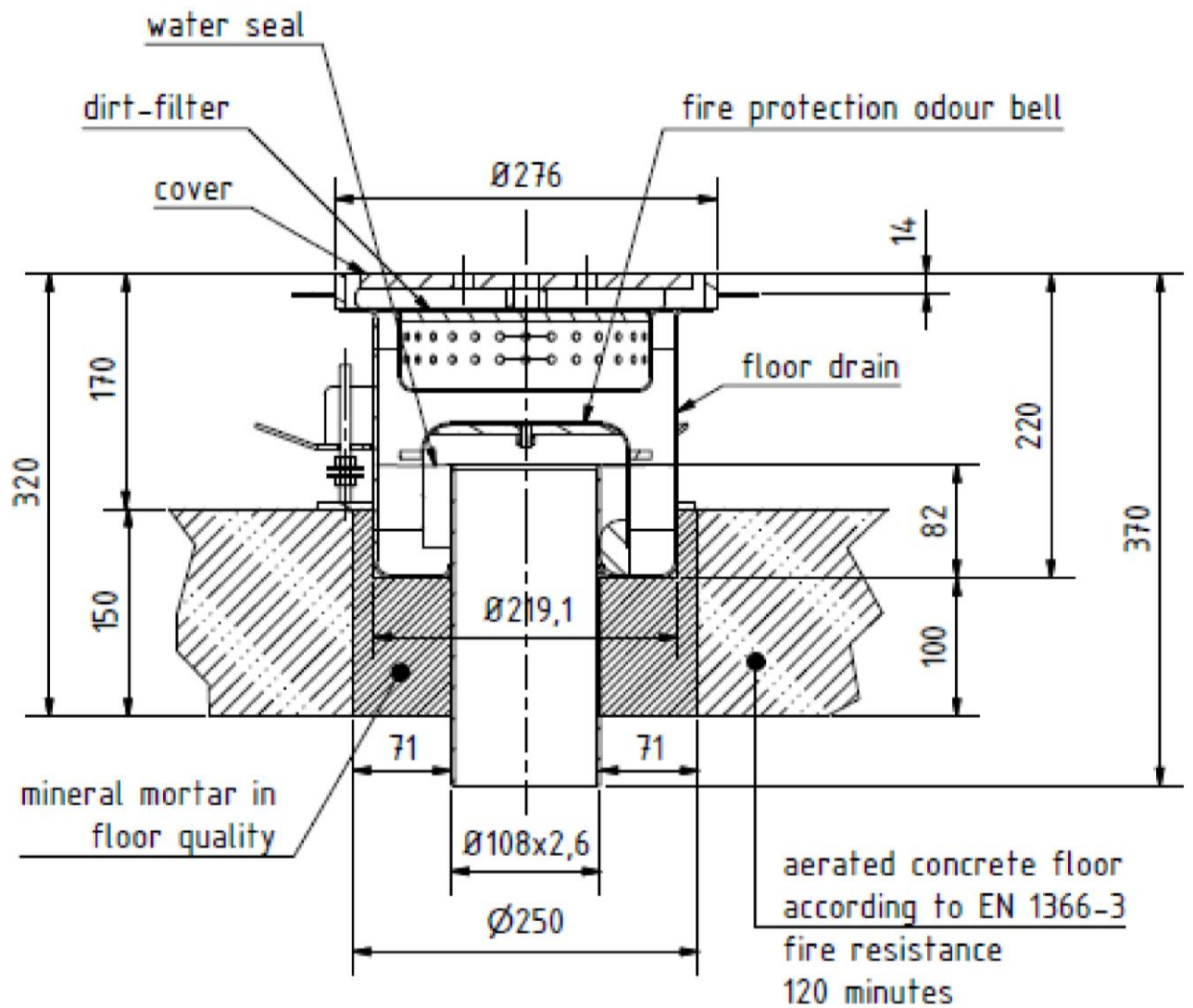


Illustration without guarantee for completeness

electronic copy of the eta by dibt: eta-16/0131

Bodenablauf GEst...

Floor drain "DN 100-A1-F2-G3-S1-D" using the odour bell with fire protection inlay "Art.-Nr. 80110061"

Annex 3