

Approval body for construction products
and types of construction

Bautechnisches Prüfamt

An institution established by the Federal and
Laender Governments



European Technical Assessment

ETA-16/0539
of 30 September 2016

English translation prepared by DIBt - Original version in German language

General Part

Technical Assessment Body issuing the
European Technical Assessment:

Deutsches Institut für Bautechnik

Trade name of the construction product

String Stair System H + I

Product family
to which the construction product belongs

Prefabricated stair with steps and strings made of solid
wood for use as indoor stair in buildings

Manufacturer

H + I Treppentechnik AG
Eschnerstraße 51
9487 BENDERN
FÜRSTENTUM LIECHTENSTEIN

Manufacturing plant

H + I Treppentechnik Werk 1 - 99

This European Technical Assessment
contains

14 pages including 3 annexes which form an integral part
of this assessment

This European Technical Assessment is
issued in accordance with Regulation (EU)
No 305/2011, on the basis of

European Assessment Document (EAD)
340006-00-0506

The European Technical Assessment is issued by the Technical Assessment Body in its official language. Translations of this European Technical Assessment in other languages shall fully correspond to the original issued document and shall be identified as such.

Communication of this European Technical Assessment, including transmission by electronic means, shall be in full. However, partial reproduction may only be made with the written consent of the issuing Technical Assessment Body. Any partial reproduction shall be identified as such.

This European Technical Assessment may be withdrawn by the issuing Technical Assessment Body, in particular pursuant to information by the Commission in accordance with Article 25(3) of Regulation (EU) No 305/2011.

Specific Part

1 Technical description of the product

The String Stair System H + I is a prefabricated stair system, which consists of steps, strings and system fasteners. The steps are connected with the strings by system fasteners on both sides. The steps and strings are made of solid wood, the system fasteners are made of steel.

The product description is given in Annex A. The material values, dimensions and tolerances of the components of the stair not indicated in the annexes shall correspond to the values laid down in the technical documentation¹.

2 Specification of the intended use in accordance with the applicable European Assessment Document

The performances given in Section 3 are only valid if the stair is used in compliance with the specifications and conditions given in Annex B.

The verification and assessment methods on which this European Technical Assessment is based lead to the assumption of a working life of the stair of at least 50 years. The indications given on the working life cannot be interpreted as a guarantee given by the producer, but are to be regarded only as a means for choosing the right products in relation to the expected economically reasonable working life of the works.

¹ The technical documentation comprises all information of the holder of this ETA necessary for the production, installation and maintenance of the stair; these are in particular the structural analysis, design drawings and the manufacturer's installation instructions. The part to be treated confidentially is deposited with Deutsches Institut für Bautechnik and, as far as this is relevant to the tasks of the approved bodies involved in the procedure of attestation of conformity, shall be handed over to the approved body.

3 Performance of the product and references to the methods used for its assessment

3.1 Mechanical resistance and stability (BWR 1)

Essential characteristic	Performance
Load-bearing capacity of stair	See Annex C2
Load-bearing capacity of fixings	See technical documentation of this European Technical Assessment
Load/displacement behaviour	See Annex C2
Vibration behaviour	First natural frequency: $f_1 \geq 5$ Hz (inclusive a single mass of 100 kg) Deflection under a single load $F = 1$ kN: $w \leq 5$ mm
Prevention of progressive collapse	Failure of individual components of the stair does not lead to a progressive collapse of the complete stair
Residual load-bearing capacity	Local material failure does not lead to an abrupt total loss of load-bearing capacity of the steps.
Long-term behaviour	Load-bearing capacity are ensured under an appropriate use and maintenance over the indicated working life
Resistance to earthquakes	No performance assessed
Durability against physical, chemical and biological agents	Adequate durability for the intended use under an appropriate use and maintenance

3.2 Safety in case of fire (BWR 2)

Essential characteristic	Performance
Reaction to fire	See Annex A5
Fire resistance	No performance assessed

3.3 Hygiene, health and the environment (BWR 3)

Essential characteristic	Performance
Release of formaldehyde	Wood adhesive does not contain formaldehyde
Release of pentachlorophenol	No pentachlorophenol treated materials are used
Radioactive emission	Not relevant

English translation prepared by DIBt

3.4 Safety in use (BWR 4)

Essential characteristic	Performance
Geometry	See Annex C1
Slipperiness	No performance assessed
Equipment of the stair for a safe use	No performance assessed
Safe breakage of components	No brittle failure of individual components
Impact resistance	No performance assessed

4 Assessment and verification of constancy of performance (AVCP) system applied, with reference to its legal base

In accordance with the European Assessment Document EAD No. 340006-00-0506 the applicable European legal act is: 1999/89/EC

The System to be applied is: 2+

In addition, with regard to reaction to fire for products covered by the European Assessment Document EAD No. 340006-00-0506 the applicable European legal act is: 2001/596/EC

The System to be applied is: 4

5 Technical details necessary for the implementation of the AVCP system, as provided for in the applicable European Assessment Document

Technical details necessary for the implementation of the AVCP system are laid down in the control plan deposited at Deutsches Institut für Bautechnik.

Issued in Berlin on 30 September 2016 by Deutsches Institut für Bautechnik

Andreas Kummerow
p. p. Head of Department

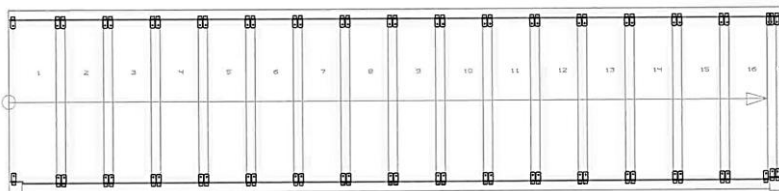
beglaubigt:
Stiller

Types of plan

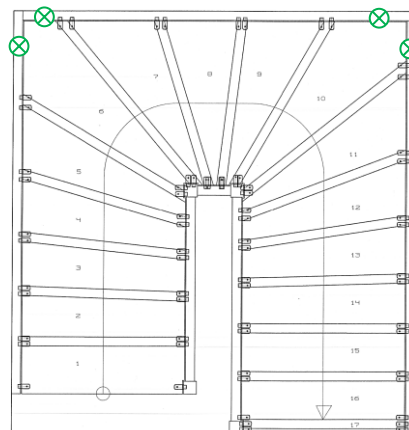
Plans valid for step-string-joints with close steps and non-close steps

Walking line exemplified, position may be chosen freely within the walking zone, walking zone is 20 % of the clear width of the stair in the middle of the stair

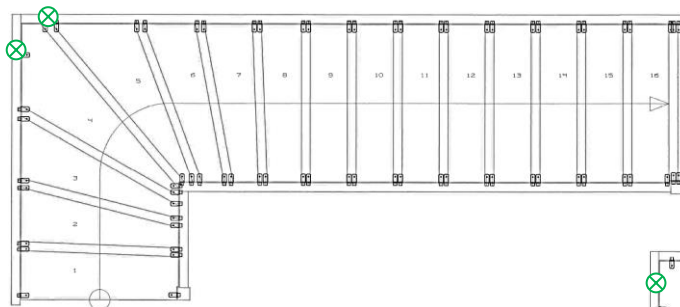
Type G



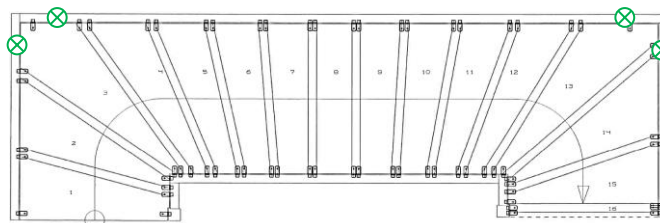
Type H



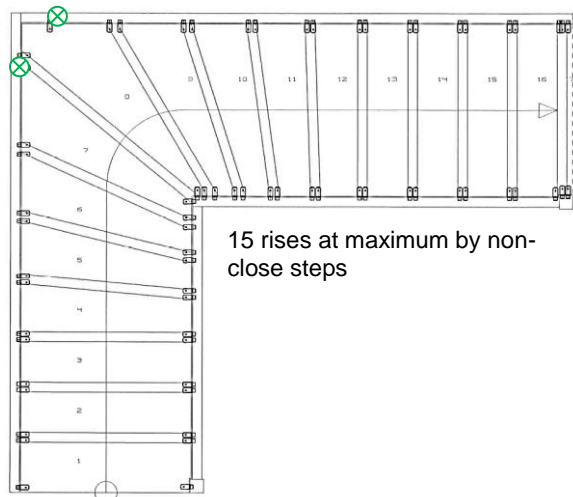
Type V1



Type VV

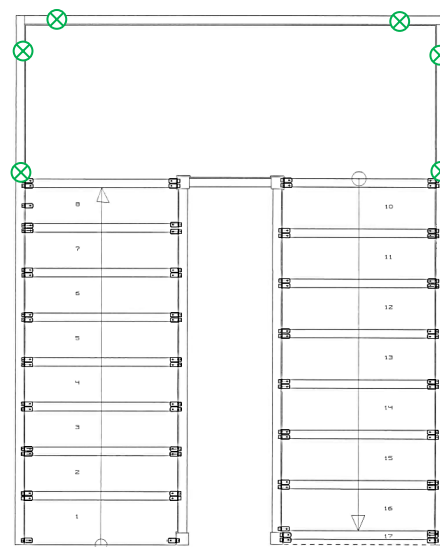


Type V2



15 rises at maximum by non-close steps

Type GPoH



⊗ Additional support for vertical loads

Horizontal fixings to the wall according to technical documentation

String Stair System H + I

Product and intended use

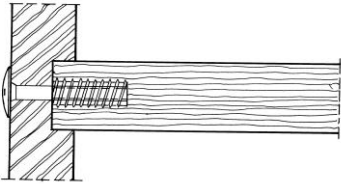
Annex A1

Step-string-joint

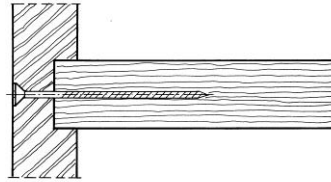
(Relationship of joints to the wood species and types of plan according to the technical documentation)

Close variants

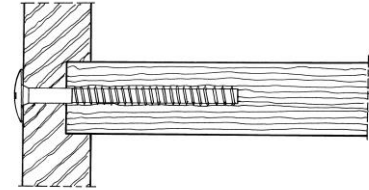
Type 1



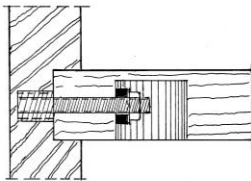
Type 2



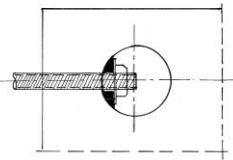
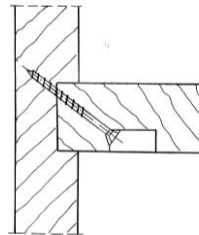
Type 3



Type 4

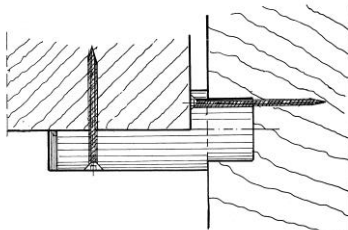


Type 5

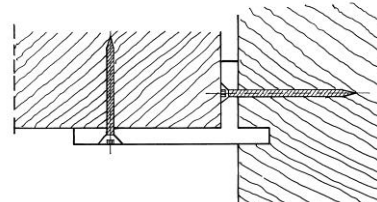


Non-close variants

Type 1



Type 2



More details according to technical documentation

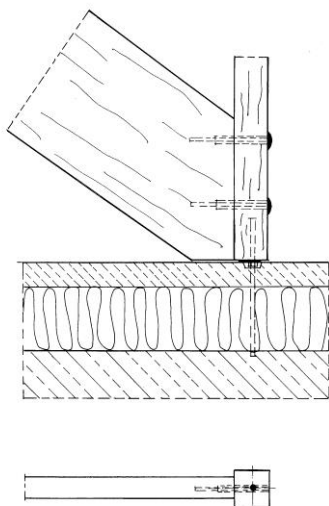
String Stair System H + I

Step-string-joint

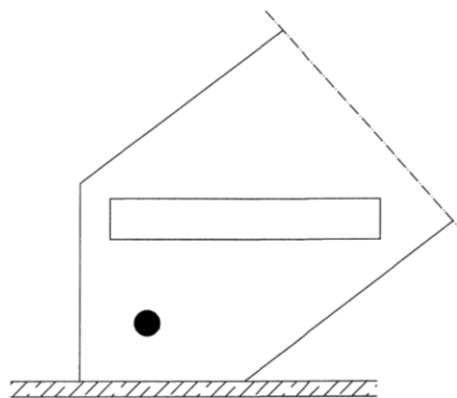
Annex A2

Joint at bottom

Wall-free side

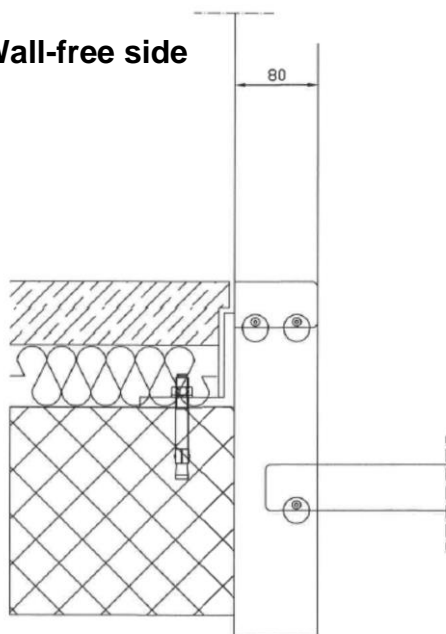


Wall side

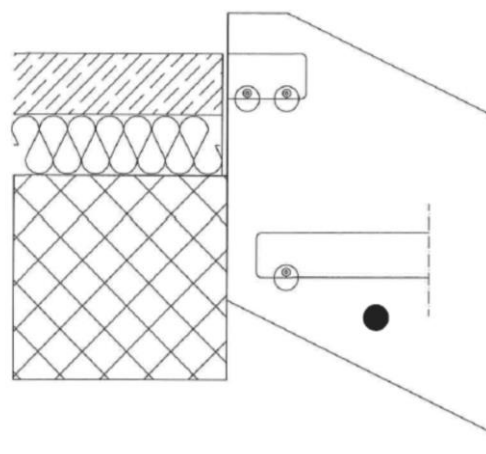


Joint at top

Wall-free side



Wall side



More details according to technical documentation

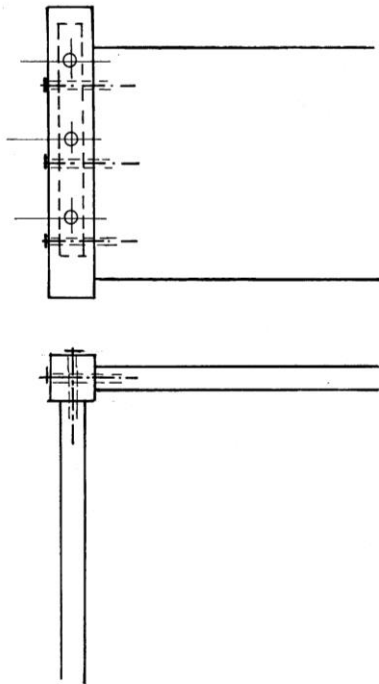
String Stair System H + I

Joint at top, Joint at bottom

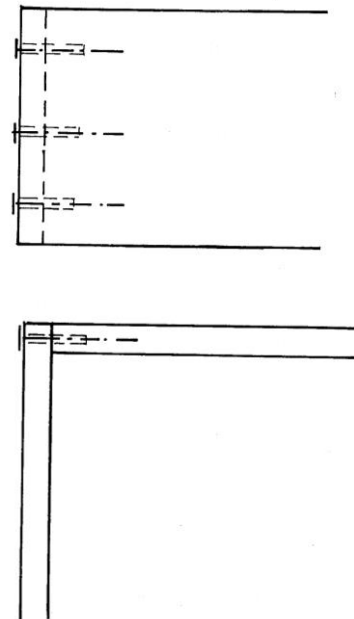
Annex A3

String-corner-joint

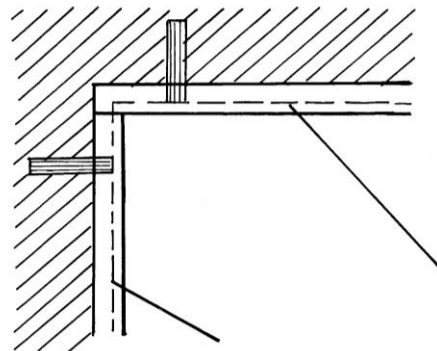
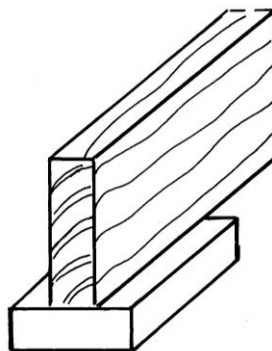
With post



Without post



Intermedia support



More details according to technical documentation

String Stair System H + I

String-corner-joint, Intermedia support

Annex A4

Table 1: Minimum dimensions of components of stair and reaction to fire

Component of stair		Material ¹⁾	Dimension		Wert Value	Reaction to fire
Step	Close	Solid wood ²⁾	Thickness	[mm]	40	D-s2, d0
	Non-close				45	
String	Close	Solid wood ²⁾	Width x Height	[mm]	40 x 265...300 ³⁾	D-s2, d0
	Non-close				45 x 265...300 ³⁾	
Angle		Steel	- ⁴⁾			A1
System fastener		Steel	- ⁴⁾			A1

¹⁾ Characteristic value of material according to technical documentation

²⁾ Only wood of following species: beech, oak, maple, acacia, nut tree, ash, merbau

³⁾ Depending on the number of rises, the type of plan and the site of string according to technical documentation

⁴⁾ According to technical documentation

String Stair System H + I

Minimum dimension of components of stair and reaction to fire

Annex A5

Specification of intended use (Part 1)

Intended use:

- European Technical Assessment applies for a construction system.
- For the specific case of use the corresponding type of stair is manufactured within the context of the values defined in this European Technical Assessment.
- Values of this ETA apply to all types of stairs, the real dimensions follow in accordance with the relevant case of use.

Stair subject to:

- Static and quasi static loads

Use conditions:

- Indoor stair
- Air temperatures between +5 °C and +30 °C
- Relative air humidity between 30% and 70%
- To the individual requirements handrail and barrier can be attached to the stair optionally. Conditions for possible handrail/barrier:
 Dead load ≤ 0.5 kN/m
 Height ≤ 1.00 m
 Distance of baluster ≤ 0.26 m

Design:

- Design of the stair according to the annexes and the technical documentation of this European Technical Assessment.
- Fastening of the stair to the construction works according to the annexes and the technical documentation of this Technical European Assessment.
- Verification of the transmission of loads to the construction works by the civil engineer responsible for the construction works.
- Load bearing capacity at ultimate limit state:

$$q_k \cdot \gamma_Q \leq q_{RK} / \gamma_M$$

$$Q_k \cdot \gamma_Q \leq Q_{RK} / \gamma_M$$

$$h_k \cdot \gamma_Q \cdot \psi_0 \leq h_{RK} / \gamma_M$$

with

q_{RK}, Q_{RK}, h_{RK} : characteristic values of resistance; see Table 3

γ_M : recommended material partial safety factor; see Table 3

q_k, Q_k, h_k : characteristic values of imposed loads according to EN 1991-1-1:2010-12

$\gamma_Q = 1.5$: recommended partial safety factor, in absence of other national regulations

$\psi_0 = 0.7$: recommended combination factor, in absence of other national regulations

- Maximum characteristic values of imposed loads under consideration of the partial factors mentioned above; see Table 5

String Stair System H + I

Specification of intended use (Part 1)

Annex B1

Specification of intended use (Part 2)

Installation:

- Installation by personal appropriately trained and authorized by the holder of the approval by means of the technical documentation of this European Technical Assessment
- Installation only in the way as specified in the technical documentation of this European Technical Assessment
- Installation of timber components when moisture content of timber components is $8 \pm 2 \%$
- Sufficient support of the stair when assembling
- Installation of stair components without imposed deformations
- Installation of stair components without significant defects and cracks
- Replacing of stair components, which begin tearing when assembling
- Bolted connection are protected such that they will not be loosened by vibrations

Indication of the manufacturer:

- Ensure that all persons involved will be appropriately informed about the specific conditions according to sections 1 and 2 (including the annexes to which reference is being made as well as the not confidential parts of the technical documentation deposited to this European Technical Assessment)
- Packaging of timber components such that the wood moisture is $8 \pm 2 \%$ during transport and storage
- Instructions for use should provide information as to use, maintenance and repair of the stair. Including the information of avoidance of moisture penetration of the timber components and the information on the relationship between moisture content of timber components, air temperature and relative air humidity

String Stair System H + I

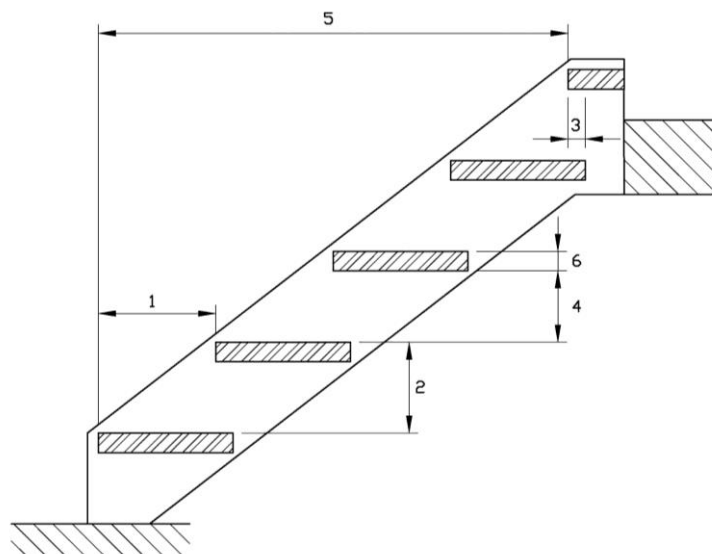
Specification of intended use (Part 2)

Annex B2

Table 2: Geometry

Designation			Dimension	
			Minimum	Maximum
Going	Step on walking line ¹⁾	[mm]	210	370 ²⁾
	Tapered step	[mm]	100 ^{2) 3)}	590 ^{2) 4)}
Rise of the stairs ¹⁾		[°]	140 ²⁾	210
Pitch of the walking line ¹⁾		[mm]	21	45
Overlap of the steps	Close	[mm]	30	- ⁵⁾
	Non-close	[mm]	50	- ⁵⁾
Number of rises		[-]	3	17 ⁶⁾
Openings	Between stair and wall	[mm]	- ⁵⁾	0
	Between consecutive steps	[mm]	- ⁵⁾	170
Clear width of stair		[mm]	500	960
Minimum headroom		[mm]	- ⁵⁾	
Length of the flight		[mm]	- ⁵⁾	4160 ^{6) 7)}
Thickness of steps	Close	[mm]	40	- ⁵⁾
	Non-Close	[mm]	45	- ⁵⁾

- 1) Values are constant within one flight
- 2) Tolerance between nominal value and actual value= ± 5 mm
- 3) Inside of tapered step
- 4) Outside of tapered step
- 5) Not relevant
- 6) Type V2, non-close max. 15 rises (L = 3640 mm)
- 7) Stair with landing max. 5960 mm



- 1 Going
- 2 Rise
- 3 Overlap
- 4 Opening between consecutive steps
- 5 Length of the flight
- 6 Thickness of steps

String Stair System H + I

Geometry

Annex C1

Table 3: Load-bearing capacity – Characteristic values of resistance

Component	Type of loading	Characteristic values of resistance			γ_M
Flight	vertical variable uniformly distributed load	$q_{R,k}$	[kN/m ²]	6.8	1.5 ¹⁾
	vertical variable single load	$Q_{R,k}$	[kN]	4.5	
	horizontal variable uniformly distributed load on barrier	$h_{R,k}$	[kN/m]	0.8	
Joint at top	vertical variable uniformly distributed load	$q_{R,k}$	[kN/m ²]	5.9	1.3 ²⁾
	vertical variable single load	$Q_{R,k}$	[kN]	3.9	
	horizontal variable uniformly distributed load on barrier	$h_{R,k}$	[kN/m]	0.7	
Joint at bottom	vertical variable uniformly distributed load	$q_{R,k}$	[kN/m ²]	5.0	1.1 ³⁾
	vertical variable single load	$Q_{R,k}$	[kN]	3.3	
	horizontal variable uniformly distributed load on barrier	$h_{R,k}$	[kN/m]	0.6	

¹⁾ Recommended partial safety factor (wood decisive), in absence of other national regulations

²⁾ Recommended partial safety factor (wood screw decisive), in absence of other national regulations

³⁾ Recommended partial safety factor (steel decisive), in absence of other national regulations

Table 4: Deflections under loading

Deflection of the flight under uniformly distributed load			
uniformly distributed load	q_k	[kN/m ²]	3.0
length of the median line of the flight	L	[mm]	4160 ¹⁾
deflection under load F_s related to the median line of the flight	w	[-]	≤ L/200
Deflection of the step under single point load			
single load	Q_k	[kN]	2.0
clear width of the stair	L	[mm]	960
deflection under load F_s related to the clear width of the stair	w	[-]	≤ L/200

¹⁾ Typ V2, non-close L = 3640 mm, Type GPoH L = 5960 mm

Table 5: Imposed loads

Type of loading	Imposed		
vertical variable uniformly distributed load	q_k	[kN/m ²]	3.0
vertical variable single load	Q_k	[kN]	2.0
horizontal variable uniformly distributed load on barrier	h_k	[kN/m]	0.5

String Stair System H + I

Load-bearing capacity – Characteristic values of resistance,
Deflections under loading,
Imposed loads

Annex C2