

Approval body for construction products  
and types of construction

Bautechnisches Prüfamt

An institution established by the Federal and  
Laender Governments



## European Technical Assessment

**ETA-15/0565**  
**of 10 August 2017**

English translation prepared by DIBt - Original version in German language

### General Part

Technical Assessment Body issuing the  
European Technical Assessment:

Deutsches Institut für Bautechnik

Trade name of the construction product

FHS Spiral Stair

Product family  
to which the construction product belongs

Spiral stair with steps made of solid wood for use as an  
indoor stair in buildings

Manufacturer

FHS Treppen GmbH  
Kampenwandstraße 8  
83224 Grassau  
DEUTSCHLAND

Manufacturing plant

Frisch Holz-Systembau

This European Technical Assessment  
contains

17 pages including 3 annexes which form an integral part  
of this assessment

This European Technical Assessment is  
issued in accordance with Regulation (EU)  
No 305/2011, on the basis of

European Assessment Document (EAD)  
340006-00-0506

The European Technical Assessment is issued by the Technical Assessment Body in its official language. Translations of this European Technical Assessment in other languages shall fully correspond to the original issued document and shall be identified as such.

Communication of this European Technical Assessment, including transmission by electronic means, shall be in full. However, partial reproduction may only be made with the written consent of the issuing Technical Assessment Body. Any partial reproduction shall be identified as such.

This European Technical Assessment may be withdrawn by the issuing Technical Assessment Body, in particular pursuant to information by the Commission in accordance with Article 25(3) of Regulation (EU) No 305/2011.

## Specific Part

### 1 Technical description of the product

The FHS Spiral Stair is a prefabricated stair system, which consists of steps, landings, a newel and load-bearing bolts.

The steps are stressed together between distance sleeves with tensioning bolt (newel). On the outside the steps are connected with each other by load-bearing bolts.

The steps and distance sleeves are made of solid wood, the newel and load-bearing bolts are made of steel.

The product description is given in Annex A. The material values, dimensions and tolerances of the components of the stair not indicated in the annexes shall correspond to the values laid down in the technical documentation<sup>1</sup>.

### 2 Specification of the intended use in accordance with the applicable European Assessment Document

The performances given in Section 3 are only valid if the stair is used in compliance with the specifications and conditions given in Annex B.

The verification and assessment methods on which this European Technical Assessment is based lead to the assumption of a working life of the stair of at least 50 years. The indications given on the working life cannot be interpreted as a guarantee given by the producer, but are to be regarded only as a means for choosing the right products in relation to the expected economically reasonable working life of the works.

<sup>1</sup> The technical documentation comprises all information of the holder of this ETA necessary for the production, installation and maintenance of the stair; these are in particular the structural analysis, design drawings and the manufacturer's installation instructions. The part to be treated confidentially is deposited with Deutsches Institut für Bautechnik and, as far as this is relevant to the tasks of the approved bodies involved in the procedure of attestation of conformity, shall be handed over to the approved body.

### 3 Performance of the product and references to the methods used for its assessment

#### 3.1 Mechanical resistance and stability (BWR 1)

Essential characteristic	Performance
Load-bearing capacity of stair	See Annex C3
Load-bearing capacity of fixings	See technical documentation of this European Technical Assessment
Load/displacement behaviour	See Annex C3
Vibration behaviour	First natural frequency: $f_1 \geq 5$ Hz (inclusive a single mass of 100 kg) Deflection under a single load $F = 1$ kN: $w \leq 5$ mm
Prevention of progressive collapse	Failure of individual components of the stair does not lead to a progressive collapse of the complete stair
Residual load-bearing capacity	Local material failure does not lead to an abrupt total loss of load-bearing capacity of the steps.
Long-term behaviour	Load-bearing capacity are ensured under an appropriate use and maintenance over the indicated working life
Resistance to earthquakes	No performance assessed
Durability against physical, chemical and biological agents	Adequate durability for the intended use under an appropriate use and maintenance

#### 3.2 Safety in case of fire (BWR 2)

Essential characteristic	Performance
Reaction to fire	See Annex A6
Fire resistance	No performance assessed

#### 3.3 Hygiene, health and the environment (BWR 3)

Essential characteristic	Performance
Release of formaldehyde	Wood adhesive does not contain formaldehyde
Release of pentachlorophenol	No pentachlorophenol treated materials are used
Radioactive emission	Not relevant

English translation prepared by DIBt

**3.4 Safety in use (BWR 4)**

Essential characteristic	Performance
Geometry	See Annex C2
Slipperiness	No performance assessed
Equipment of the stair for a safe use	No performance assessed
Safe breakage of components	No brittle failure of individual components
Impact resistance	No performance assessed

**4 Assessment and verification of constancy of performance (AVCP) system applied, with reference to its legal base**

In accordance with the European Assessment Document EAD No. 340006-00-0506 the applicable European legal act is: 1999/89/EC

The System to be applied is: 2+

In addition, with regard to reaction to fire for products covered by the European Assessment Document EAD No. 340006-00-0506 the applicable European legal act is: 2001/596/EC

The System to be applied is: 4

**5 Technical details necessary for the implementation of the AVCP system, as provided for in the applicable European Assessment Document**

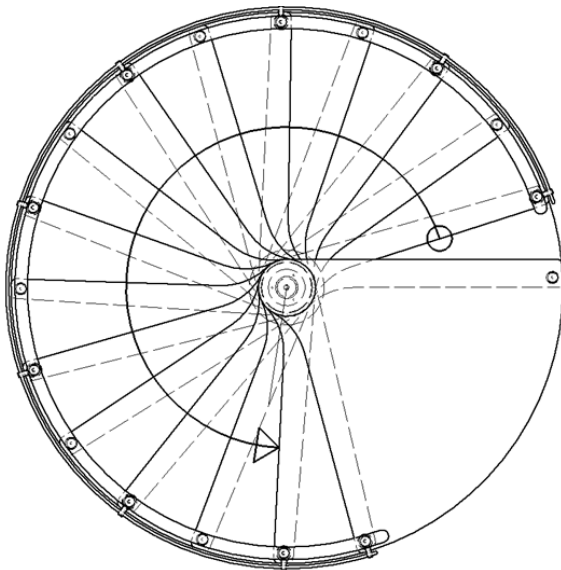
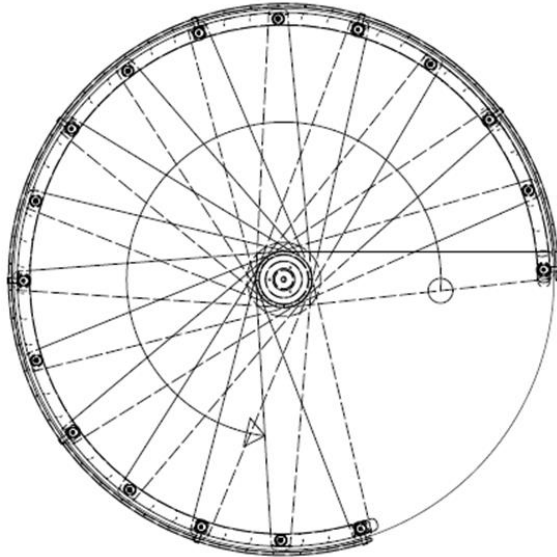
Technical details necessary for the implementation of the AVCP system are laid down in the control plan deposited at Deutsches Institut für Bautechnik.

Issued in Berlin on 10 August 2017 by Deutsches Institut für Bautechnik

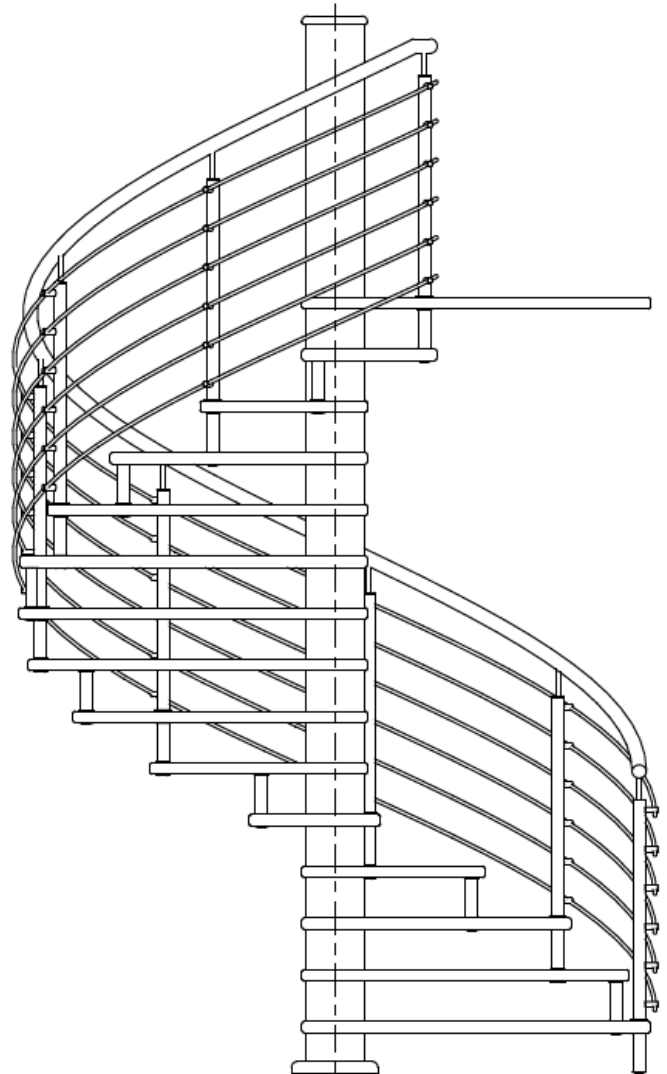
BD Dipl.-Ing. Andreas Kummerow  
Head of Department

*beglaubigt:*  
Stiller

Plan view



Front view



- Type I,  $\varnothing \leq 1300$  mm
- Type II,  $\varnothing \leq 1600$  mm
- Type III,  $\varnothing \leq 2000$  mm
- Type IV,  $\varnothing \leq 2200$  mm
- Type V,  $\varnothing \leq 2500$  mm
- Type VI,  $\varnothing \leq 3000$  mm

Notes:

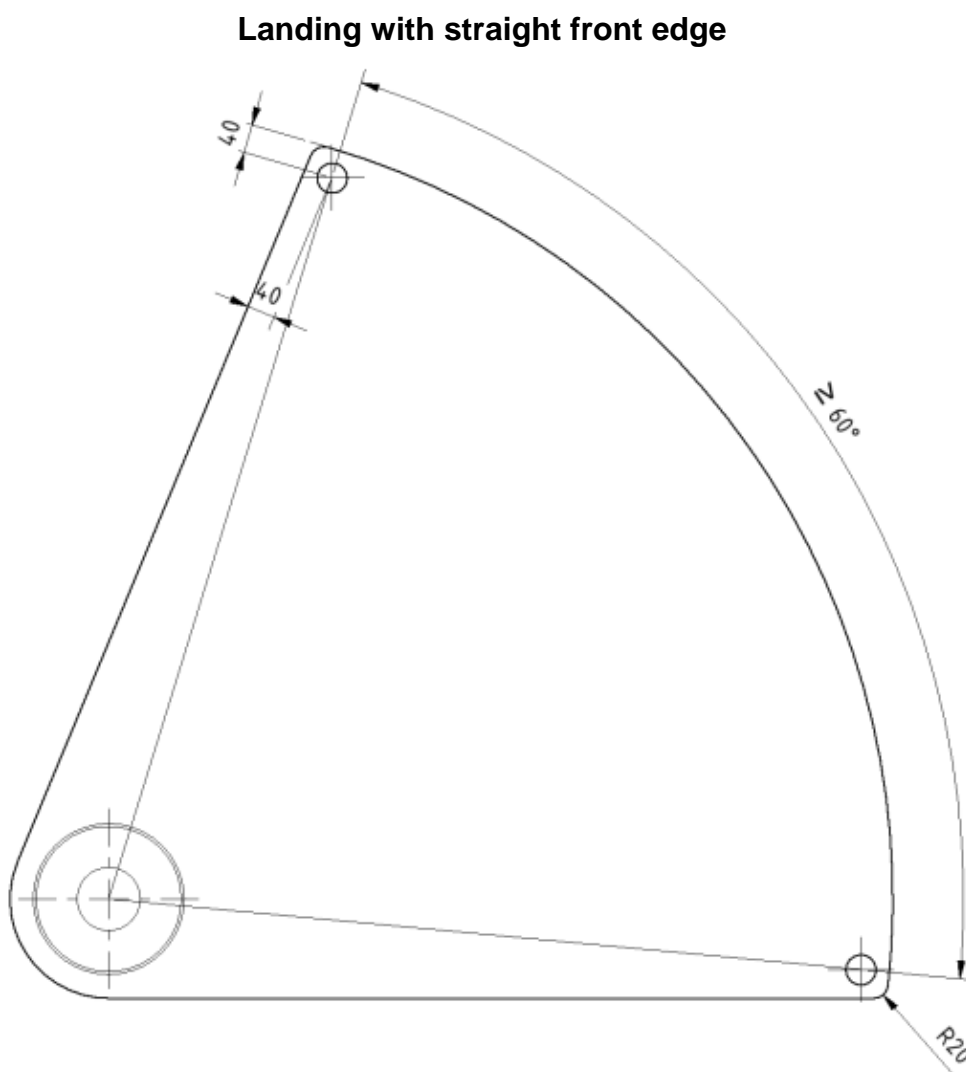
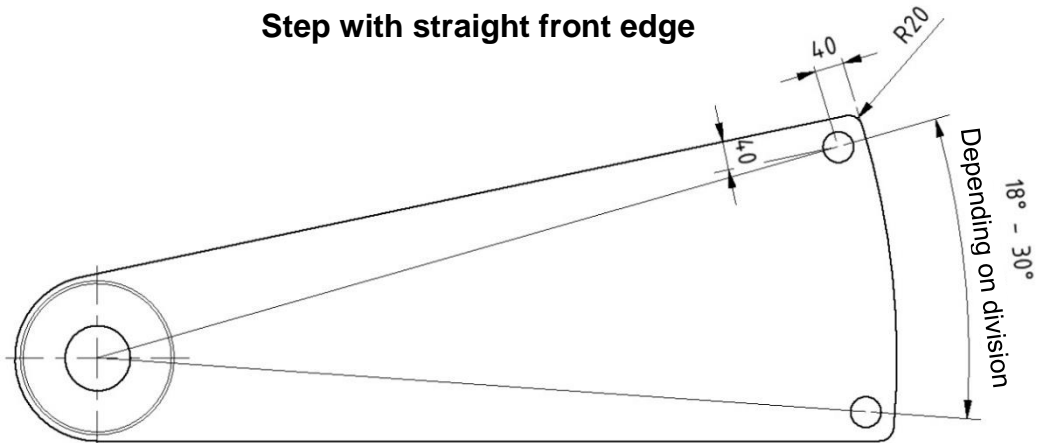
Barrier and handrail are not part of the ETA

Walking line is exemplified, position may be chosen freely within the walking zone; walking zone is 20 % of the clear width of the stair. The inside limit of the walking zone is in the middle of the clear width of the stair

**FHS Spiral Stair**

Product

**Annex A1**



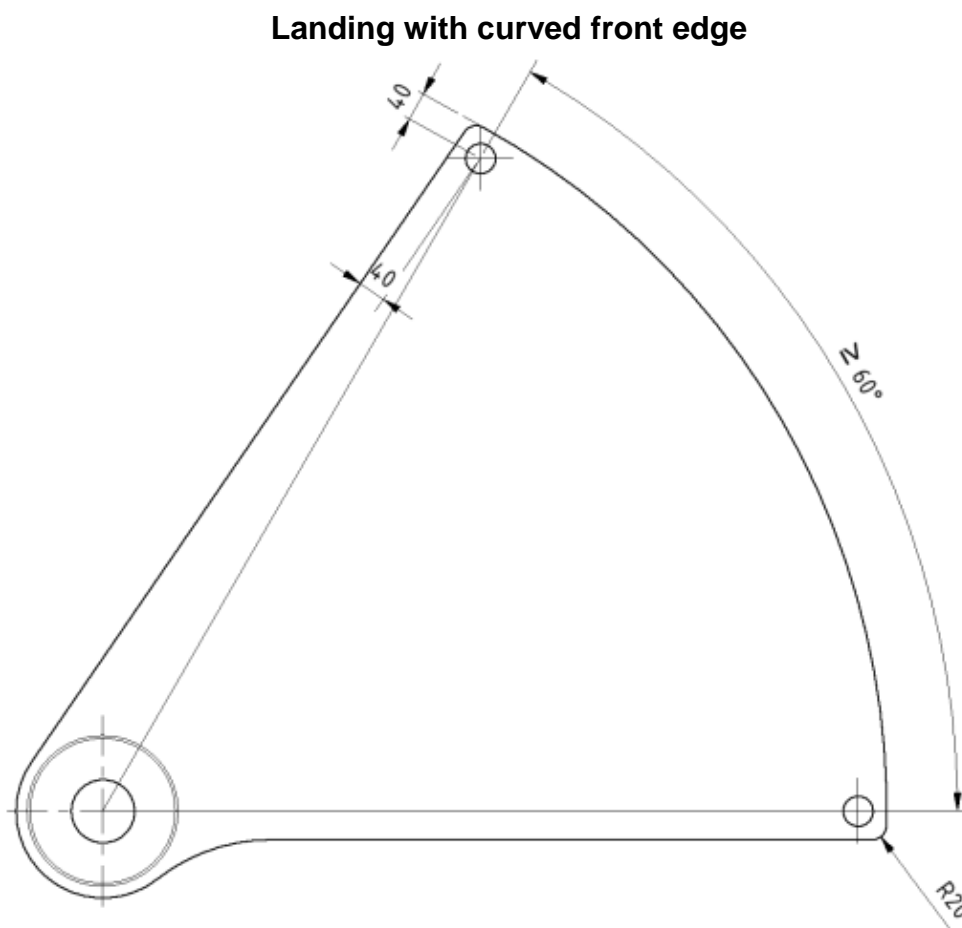
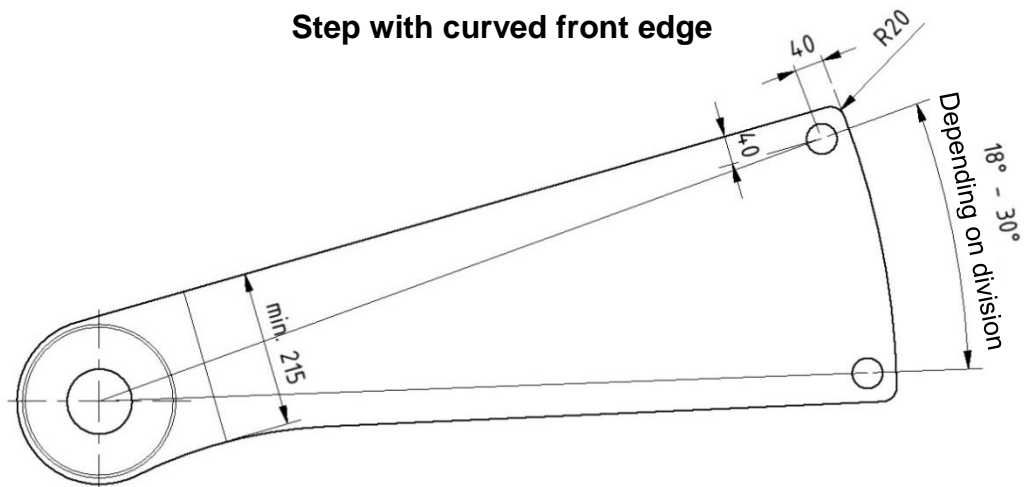
Dimensions in mm

More details according to the technical documentation

**FHS Spiral Stair**

Step and landing with straight front edge

**Annex A2**



Dimensions in mm

More details according to the technical documentation

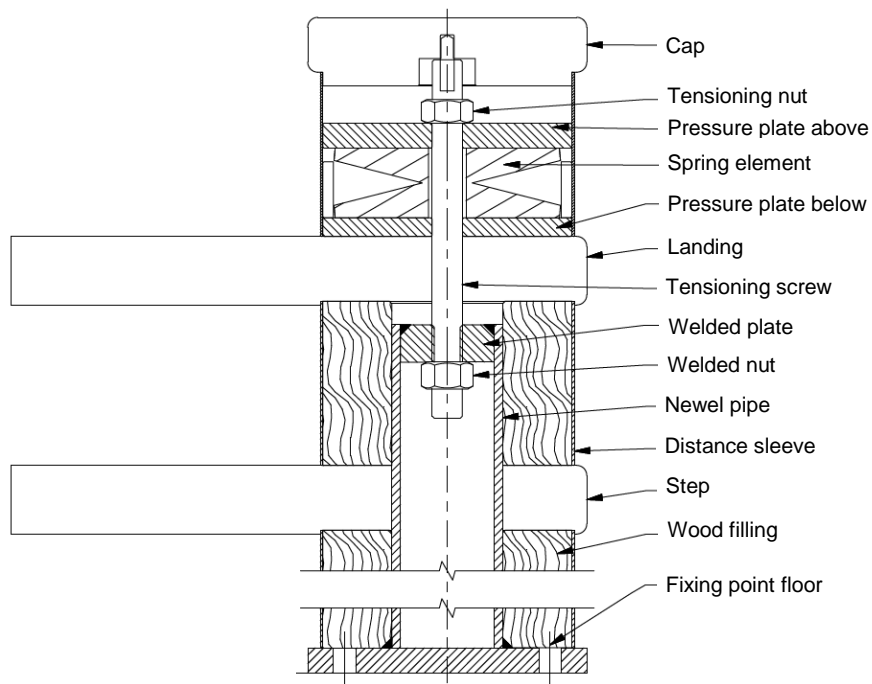
**FHS Spiral Stair**

Step and landing with curved front edge

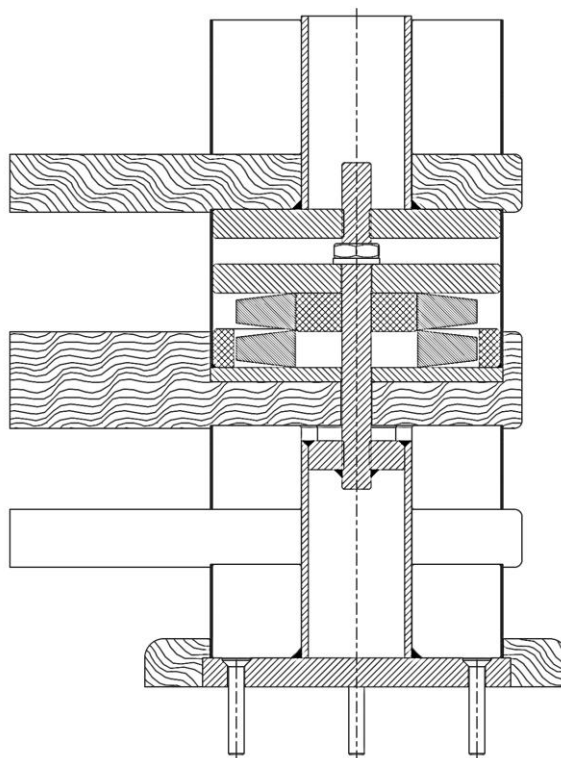
**Annex A3**



### Newel



### Newel connection from floor to floor



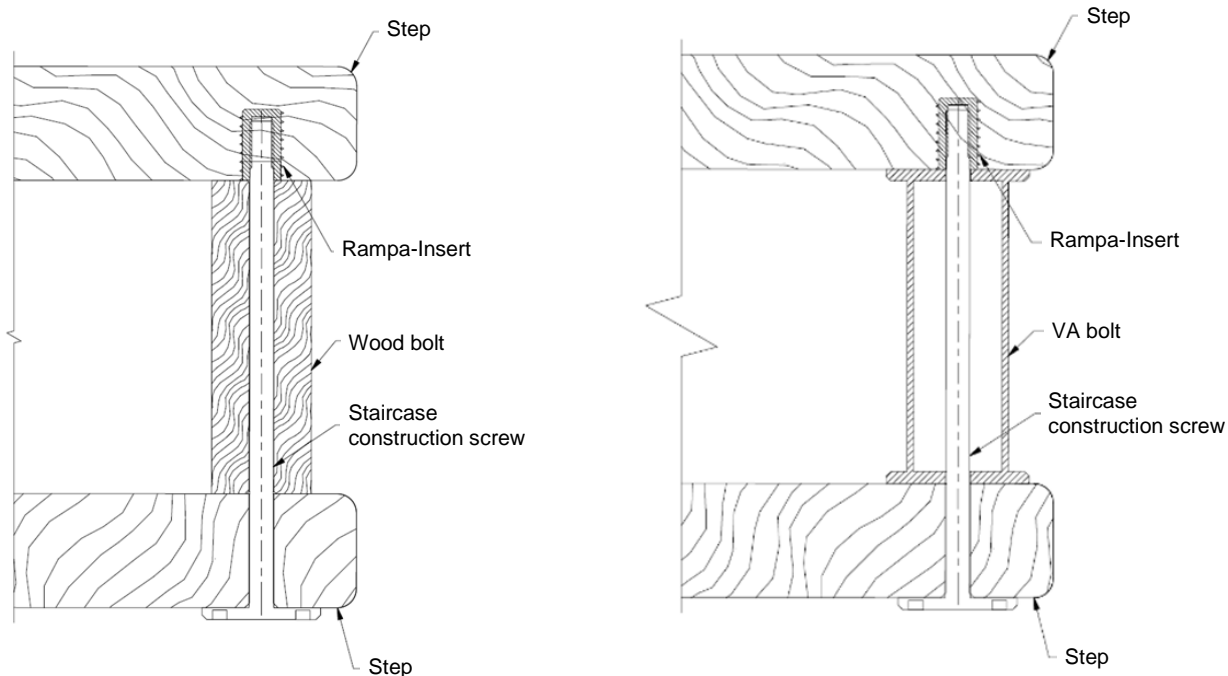
More details according to the technical documentation

**FHS Spiral Stair**

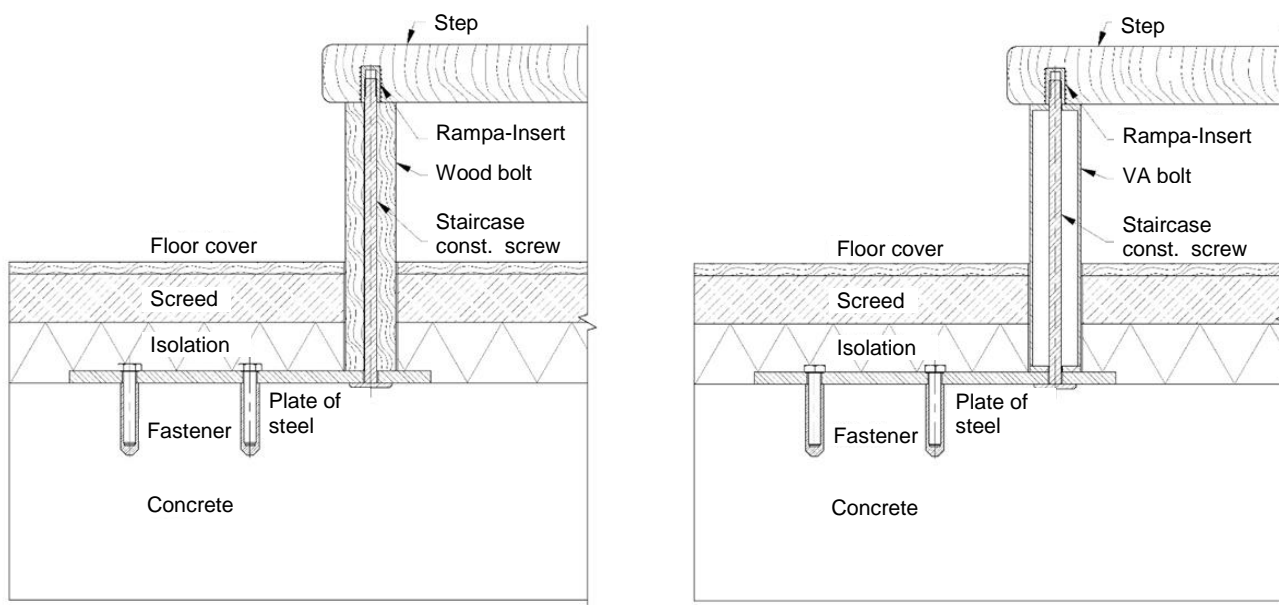
Newel and Newel transfer

**Annex A4**

### Load-bearing bolts



### Load-bearing bolt joint at bottom



More details according to the technical documentation

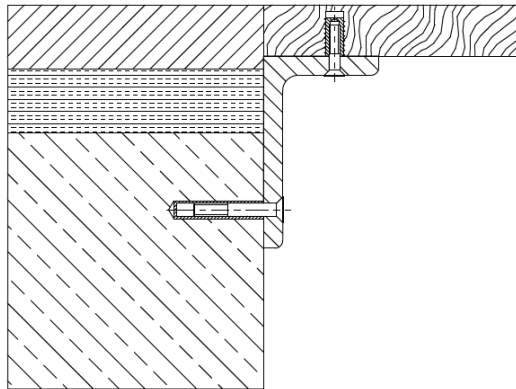
### FHS Spiral Stair

Load-bearing bolts and Load-bearing bolt joint at bottom

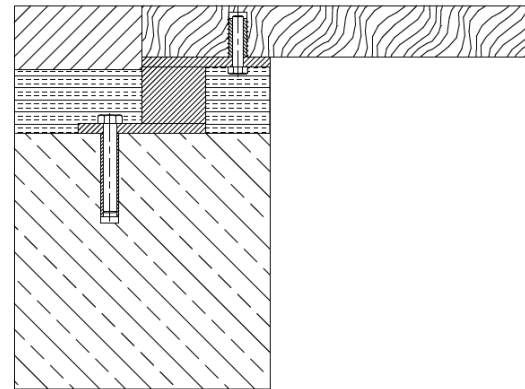
### Annex A5

### Support of landing

Fastening to the ceiling edge



Fastening on the ceiling



Anchors and fasteners are to be designed (dimensioned) according to the local situation

**Table 1: Minimum dimension of relevant stair components and reaction to fire**

Component	Material	Dimension	Value <sup>1)</sup>	Reaction to fire	
Step, Landing	Solid wood <sup>2)</sup>	Thickness	[mm]	45	D-s2, d0
Spindle pot (Wood filling)	Solid wood <sup>2)</sup>	Outer diameter	[mm]	140	D-s2, d0
Load bearing bolt	Steel screw	Diameter	[mm]	10	A1
Distance sleeve	Steel bolt	Inner diameter	[mm]	37	A1
	Wood bolt	Diameter	[mm]	40	D-s2, d0
Newel	Steel pipe	Outer diameter x Thickness	[mm]	60,3 x 5,0	A1
	Tensioning screw	Diameter	[mm]	16	A1

<sup>1)</sup> Minimum value, required values depending on the type of stair according to Table 2,

<sup>2)</sup> Only hardwood of the following species: beech, oak, birch, ash, maple, elm, cherry tree, doussie, nut tree, merbau, acacia

More details according to technical documentation

### FHS Spiral Stair

Support of landing  
Minimum dimension of relevant stair components and reaction to fire

### Annex A6

## Specification of intended use (Part 1)

### Intended use:

- European Technical Assessment applies for a construction system.
- For the specific case of use the corresponding type of stair is manufactured within the context of the values defined in the European Technical Assessment.
- Values of this ETA apply to all types of stairs; the real dimensions follow in accordance with the relevant case of use.

### Stair subject to:

- Static or quasi-static loads

### Use conditions:

- Indoor stair
- Air temperatures between +5 °C and +30 °C
- Relative air humidity between 30 % and 70 %
- According to the individual requirements handrail and barrier may be attached to the stair optionally.  
Conditions for possible barrier/handrail:
  - Dead load  $\leq 0.10$  kN/m
  - Height  $\leq 0.90$  m
  - Distance of baluster  $\leq 0.65$  m

### Design:

- Design of the stair according to the annexes and the technical documentation to this European Technical Assessment
- Fastening of the stair to the construction works according to the annexes and the technical documentation to this European Technical Assessment
- Verification of the transmission of loads to the construction works by the civil engineer responsible for the construction works
- Load-bearing capacity at ultimate limit state:

$$q_k \cdot \gamma_Q \leq q_{Rk} / \gamma_M$$

$$Q_k \cdot \gamma_Q \leq Q_{Rk} / \gamma_M$$

$$h_k \cdot \gamma_Q \cdot \psi_0 \leq h_{Rk} / \gamma_M$$

with

$q_{Rk}, Q_{Rk}, h_{Rk}$ : characteristic values of resistance; see Table 4

$\gamma_M$ : recommended material partial safety factor; see Table 4

$q_k, Q_k, h_k$ : characteristic values of imposed loads according to EN 1991-1-1:2002 + AC:2009

$\gamma_Q = 1.5$ : recommended partial safety factor, in absence of other national regulations

$\psi_0 = 0.7$ : recommended combination factor, in absence of other national regulations

- Maximum characteristic values of imposed loads under consideration of the partial factors mentioned above; see Table 6

## FHS Spiral Stair

Specification of intended use (Part 1)

Annex B1

## Specification of intended use (Part 2)

### Installation:

- Installation by personal appropriately trained and authorized by the manufacturer by means of the technical documentation of this European Technical Assessment
- Installation only in the way as specified in the technical documentation of this European Technical Assessment
- Installation of timber components when moisture content of timber components is  $8 \pm 1 \%$
- Sufficient support of the stair when assembling
- Installation of stair components without imposed deformations
- Installation of stair components without significant defects and cracks
- Replacing of stair components, which begin tearing when assembling
- Bolted connection are protected such that they will not be loosened by vibrations
- Depending on the type of stair the nuts of the tensioning bolt have to be tighten with the torque moment according to Annex C1, Table 2

### Indication of the manufacturer:

- Ensure that all persons involved will be appropriately informed about the specific conditions according to sections 1 and 2 (including the annexes to which reference is being made as well as the not confidential parts of the technical documentation deposited to this European Technical Assessment)
- Packaging of timber components such that the wood moisture is  $8 \pm 1 \%$  during transport and storage
- Instructions for use should provide information as to use, maintenance and repair of the stair. Including the information of avoidance of moisture penetration of the timber components and of retightens the bolting of the load-bearing bolts and connections according to Annexes A5 after the first heating season and the information on the relationship between moisture content of timber components, air temperature and relative air humidity

<b>FHS Spiral Stair</b>	<b>Annex B2</b>
Specification of intended use (Part 2)	

**Table 2: Dimension of relevant stair components depend on the type of stair**

Type of stair		I	II	III	IV	V	VI
Diameter of stair	[mm]	1300	1600	2000	2200	2500	3000
Thickness of step	[mm]	45	45	48	55	55	60
Minimum width of steps	[mm]	144	165	188	215	218	245
Diameter of newel	[mm]	60,3	76,1	88,9	88,9	88,9	114,3
Thickness of newel pipe	[mm]	5	5	6,3	6,3	7,1	7,1
Diameter of newel pot	[mm]	140	160	200	220	250	300
Thickness of pressure plate above	[mm]	15	16	20	20	25	30
Thickness of pressure plate below	[mm]	12	12	15	15	15	15
Thickness of base plate	[mm]	12	15	15	20	25	30
Size of tensioning screw	[-]	M 16	M 16	M 20	M 24	M 27	M 30
Thickness of treaded plate	[mm]	20	20	25	30	30	30
Spring deflection	[mm]	9,9	8,15	8,99	13,42	15,92	21,82
Pre-stressing moment	[Nm]	104	148	256	440	743	1028
Pre-stressing-force	[kN]	43	61	94	110	165	210

**FHS Spiral Stair**

Dimension of relevant stair components depend on the type of stair

**Annex C1**

**Table 3: Geometry**

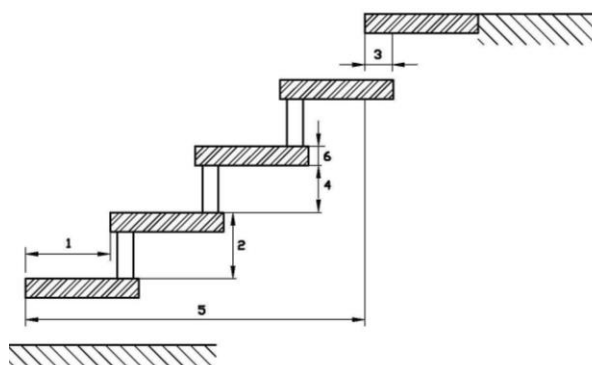
Designation		Dimension	
		Minimum	Maximum
Going step on walking line <sup>1)</sup>	[mm]	167	370 <sup>2)</sup>
Rise of the stairs <sup>1)</sup>	[mm]	140 <sup>2)</sup>	220
Pitch of the walking line <sup>1)</sup>	[°]	21	45
Overlap of the steps	[mm]	80	- <sup>3)</sup>
Number of rises	[-]	3	18
Openings between consecutive steps	[mm]	- <sup>3)</sup>	175
Clear width of stairs	[mm]	520	1140
Floor to floor height	[mm]	- <sup>3)</sup>	3240
Minimum head room	[mm]	2000	- <sup>3)</sup>
Length of the flight	[mm]	- <sup>3)</sup>	5560
Thickness of steps	[mm]	45	60

<sup>1)</sup> Values are constant within one flight

<sup>2)</sup> Tolerance between nominal value and actual value = ± 5 mm

<sup>3)</sup> Not relevant

- 1 going
- 2 rise
- 3 overlap
- 4 opening between consecutive steps
- 5 length of the flight
- 6 thickness of steps



**FHS Spiral Stair**

Geometry of stair

**Annex C2**

**Table 4: Load-bearing capacity - Characteristic values of resistance**

Component of stair	Type of loading	Characteristic values of resistance			$\gamma_M$
Step	Vertical variable uniformly distributed load	$q_{R,k}$	[kN/m <sup>2</sup> ]	5.9	1.3 <sup>1)</sup>
	Vertical variable single load	$Q_{R,k}$	[kN]	3.9	
	Horizontal variable uniformly distributed load on barrier	$h_{R,k}$	[kN/m]	0.7	
Newel	Vertical variable uniformly distributed load	$q_{R,k}$	[kN/m <sup>2</sup> ]	5.0	1.1 <sup>2)</sup>
	Vertical variable single load	$Q_{R,k}$	[kN]	3.3	
	Horizontal variable uniformly distributed load on barrier	$h_{R,k}$	[kN/m]	0.6	

1) Recommended partial safety factor (wood decisive), in absence of other national regulations

2) Recommended partial safety factor (steel decisive), in absence of other nation regulations

**Table 5: Deflections under loading**

Deflection of the step under single point load			
Single load	$Q_k$	[kN]	2.0
Radius of stair (maximum)	L	[mm]	1500
Deflection related to the clear width of the stair	w	[-]	≤ L/150

**Table 6: Imposed loads**

Type of loading	Imposed loads		
Vertical variable uniformly distributed load	$q_k$	[kN/m <sup>2</sup> ]	3.0
Vertical variable single load	$Q_k$	[kN]	2.0
Horizontal variable uniformly distributed load on barrier	$h_k$	[kN/m]	0.5

**FHS Spiral Stair**

Load-bearing capacity - Characteristic values of resistance,  
Deflections under loading,  
Imposed loads

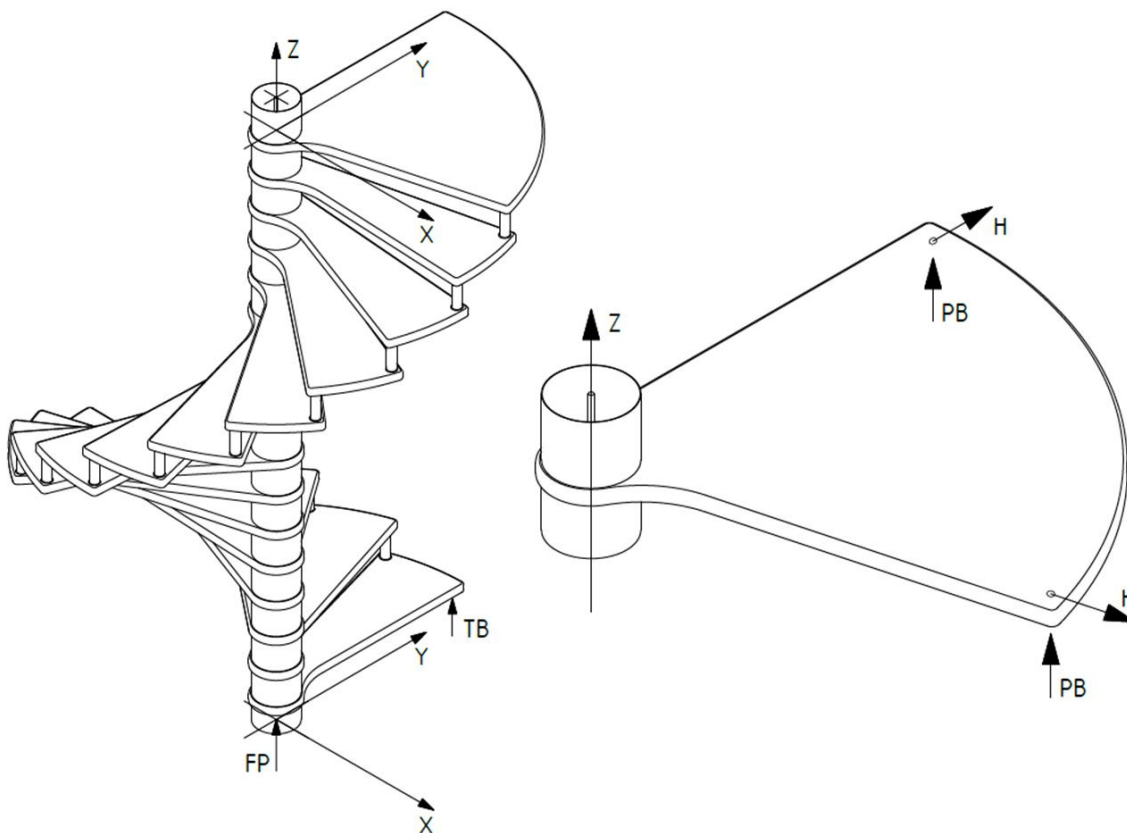
**Annex C3**



**Table 7: Design loads for transmissions of the loads to the construction works**

Type of stair			I	II	III	IV	V	VI	
Support of newel FP	x	[kN]	± 0,73	± 0,73	± 0,73	± 2,18	± 2,18	± 3,48	
	y	[kN]	± 0,73	± 0,73	± 1,31	± 2,18	± 2,18	± 3,48	
Support of newel	one-storeyed	z	[kN]	9,0	12,8	17,3	19,6	22,9	33,6
	two-storeyed	z	[kN]	18,0	25,6	34,5	39,2	45,8	67,5
	three-storeyed	z	[kN]	27,0	38,4	51,8	58,7	68,9	101,1
Support of landing PB		z	[kN]	3,50	3,50	3,50	3,50	3,50	3,60
Support of landing at the top		H	[kN]	0,34	0,46	0,60	1,30	1,67	2,66
Support of intermediate landings		H	[kN]	0,68	0,92	1,20	2,60	3,34	5,32
Support of load-bearing bolt TB	z	[kN]	3,50	3,50	3,50	3,50	3,50	3,50	3,50
	x = y	[kN]	0	0	0	0	0	0	0

**Supports**



**FHS Spiral Stair**

Design loads for transmissions of the loads to the construction works

**Annex C4**