

Approval body for construction products
and types of construction

Bautechnisches Prüfamt

An institution established by the Federal and
Laender Governments



European Technical Assessment

ETA-16/0132
of 16 January 2017

English translation prepared by DIBt - Original version in German language

General Part

Technical Assessment Body issuing the
European Technical Assessment:

Deutsches Institut für Bautechnik

Trade name of the construction product

PYRO-SAFE NOVASIT BM

Product family
to which the construction product belongs

product for use in penetration seals

Manufacturer

svt Brandschutz
Vertriebsgesellschaft mbH International
Glüsinger Straße 86
21217 Seevetal
DEUTSCHLAND

Manufacturing plant

svt Werk 10

This European Technical Assessment
contains

7 pages including 3 annexes which form an integral part
of this assessment

This European Technical Assessment is
issued in accordance with Regulation (EU)
No 305/2011, on the basis of

Guideline for European technical approval of "Fire
Stopping and Fire Sealing Products", ETAG 026 Part 2:
"Penetration Seals",
used as European Assessment Document (EAD)
according to Article 66 Paragraph 3 of Regulation (EU)
No 305/2011.

The European Technical Assessment is issued by the Technical Assessment Body in its official language. Translations of this European Technical Assessment in other languages shall fully correspond to the original issued document and shall be identified as such.

Communication of this European Technical Assessment, including transmission by electronic means, shall be in full. However, partial reproduction may only be made with the written consent of the issuing Technical Assessment Body. Any partial reproduction shall be identified as such.

This European Technical Assessment may be withdrawn by the issuing Technical Assessment Body, in particular pursuant to information by the Commission in accordance with Article 25(3) of Regulation (EU) No 305/2011.

Specific part

1 Technical description of the product

The construction product "PYRO-SAFE NOVASIT BM" is an mortar which is intended to be used in penetration seals. It is supplied in powder form in bags, in cement grey colour.

A detailed technical description and the fire-safety-related performance criteria of the construction products are given in Annex 1.

NOTE:

The characteristics listed are suitable both for identifying the construction products as well as for performing the manufacturer's factory production control.

2 Specification of the intended use in accordance with the applicable European Assessment Document

The construction product "PYRO-SAFE NOVASIT BM" is intended to be used as a component with a fire protection effect in building elements or parts thereof or constructions that are subject to fire-protection requirements. Heat transmission and spread of fire are restricted in the event of fire.

The construction product "PYRO-SAFE NOVASIT BM" is intended for use in penetration seals.

Construction products for penetration seals are used to seal openings in fire-resistant walls or floors, which are penetrated by services. Penetration seals are used to maintain the fire resistance of the wall or floor in the area of these penetrations.

Within the scope of this ETA, a set of test specimens were subjected to a fire test. A fire resistance of EI 240 was demonstrated for individual designs of cable penetration seals and a fire resistance of EI 120 was demonstrated for individual designs of pipe penetration seals - manufactured using the construction product "PYRO-SAFE NOVASIT BM".

The construction product may be used for the installation of penetration seals in dry interior areas and temperatures above 0 °C (use category Type Z₂).

The performances referred to in section 3 refers only to the aforementioned specimen used in the context of the verification procedure (e. g. regarding the design and arrangement of the components of the penetration seal and the type and position of the services).

3 Performance of the product and references to the methods used for its assessment

3.1 Safety in case of fire

Essential characteristic	Performance
Fire resistance of a penetration seal in which the product is incorporated.	The fire resistance depends on the arrangement/ installation of the penetration seal and the other components that make up the penetration seal. Details of the tested penetration seals as well as the related fire resistance classes are given in annexes 1 to 3.

English translation prepared by DIBt

4 Assessment and verification of constancy of performance (AVCP) system applied, with reference to its legal basis

In accordance with the European Technical Approval Guideline "Fire Stopping and Fire Sealing Products", ETAG 026, Part 2: "Penetration Seals", August 2011, which is used as European Assessment Document (EAD), the following legal basis shall apply: 1999/454/EC.

The system to be applied is: system 1.

5 Technical details necessary for the implementation of the AVCP system, as provided for in the applicable EAD

The technical details necessary for the implementation of the AVCP system are laid down in the control plan deposited with Deutsches Institut für Bautechnik.

Issued in Berlin on 16 January 2017 by Deutsches Institut für Bautechnik.

Prof. Gunter Hoppe
Head of Department

beglaubigt:
Bisemeier

Properties and performances criteria of the construction product "PYRO-SAFE NOVASIT BM"

Property	Performance criterion
Fire behavior	Classification of fire behavior according to EN 13501-1: A1
Compressive strength	M 2,5
Density	$\rho \geq 900 \text{ kg/m}^3$
initial shear strength	0,15 N/mm ² (table value)
Contents of chlorides	$\leq 0,10 \text{ M.-%}$
Water vapour permeability μ	5/20 (table value)
Thermal conductivity $\lambda_{10, \text{dry, mat}}$	$\leq 0,25 \text{ W/(m}^{\circ}\text{K)}$ für P = 50% (table value) $\leq 0,27 \text{ W/(m}^{\circ}\text{K)}$ für P = 90%

The properties listed can be used both for the identification of the construction product and for the implementation of the factory production control of the manufacturer.

Implementation details for the factory production control are included in the inspection plan.

Performances of penetration seals, comprising the construction product "PYRO-SAFE NOVASIT BM"

	Essential requirement	Test method	Construction of the sample	Performance acc. to EN-13501-2
1	Resistance to fire	EN 1366-3	150 mm thick rigid wall; design and layout of the penetration seal according to Annex 2*	EI 120
2	Resistance to fire	EN 1366-3	150 mm thick rigid floor; design and layout of the penetration seal according to Annex 2*	EI 120
3	Resistance to fire	EN 1366-3	240 mm thick rigid wall; design and layout of the penetration seal according to Annex 3*	EI 240
4	Resistance to fire	EN 1366-3	200 mm thick rigid floor; design and layout of the penetration seal according to Annex 3*	EI 240

* The illustrations on annexes 2 and 3 are without guarantee for completeness.

The use of the construction product "PYRO-SAFE NOVASIT BM" shall be in accordance with national requirements for planning, design and execution and in accordance with the installation instruction of the manufacturer.

The tested/ illustrated seals are only examples for the use.

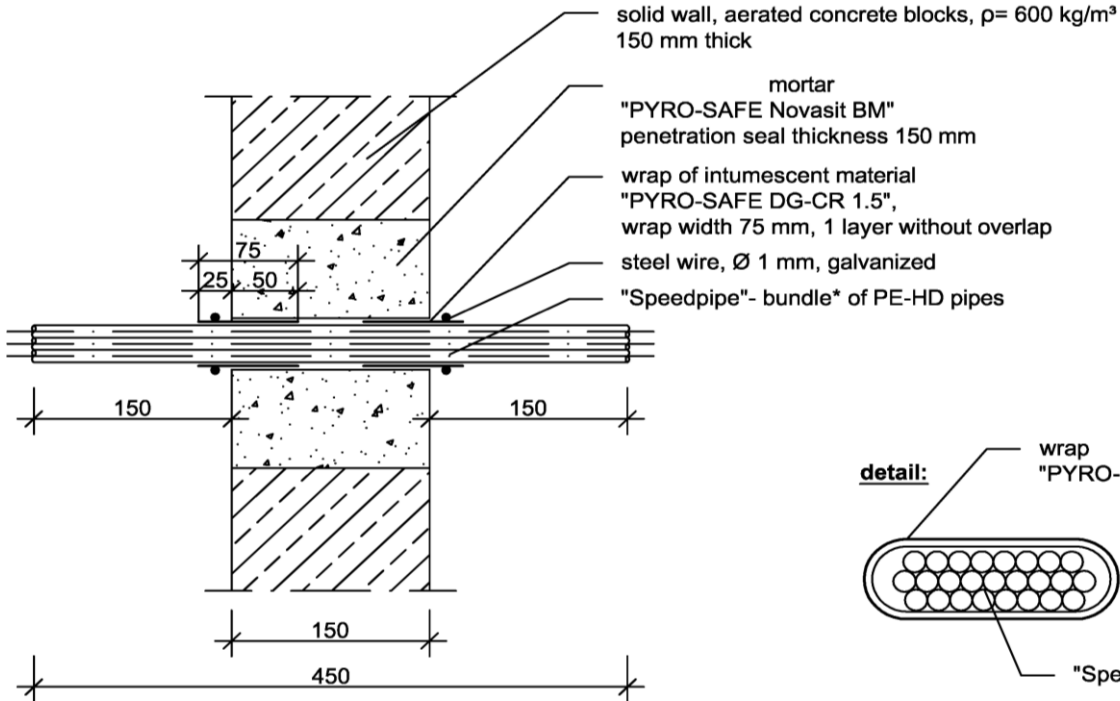
PYRO-SAFE NOVASIT BM

Properties of the construction product "PYRO-SAFE NOVASIT BM" and the performance of penetration seals, comprising "PYRO-SAFE NOVASIT BM"

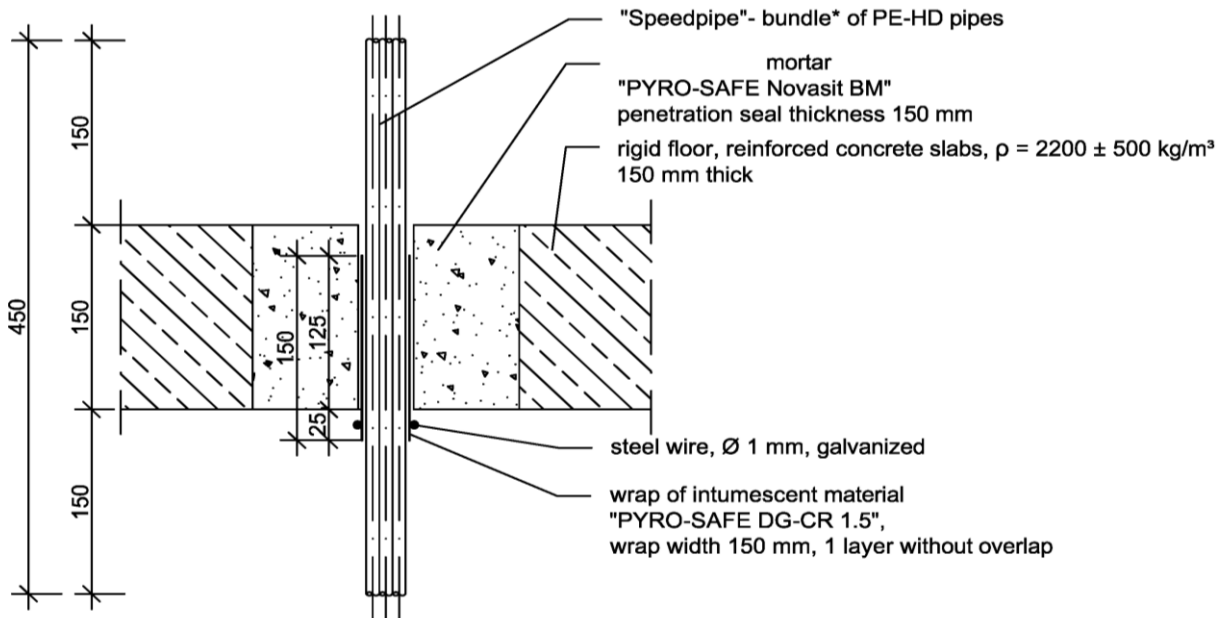
Annex 1

"PYRO-SAFE Novasit BM" (EI 120)

wall installation



floor installation



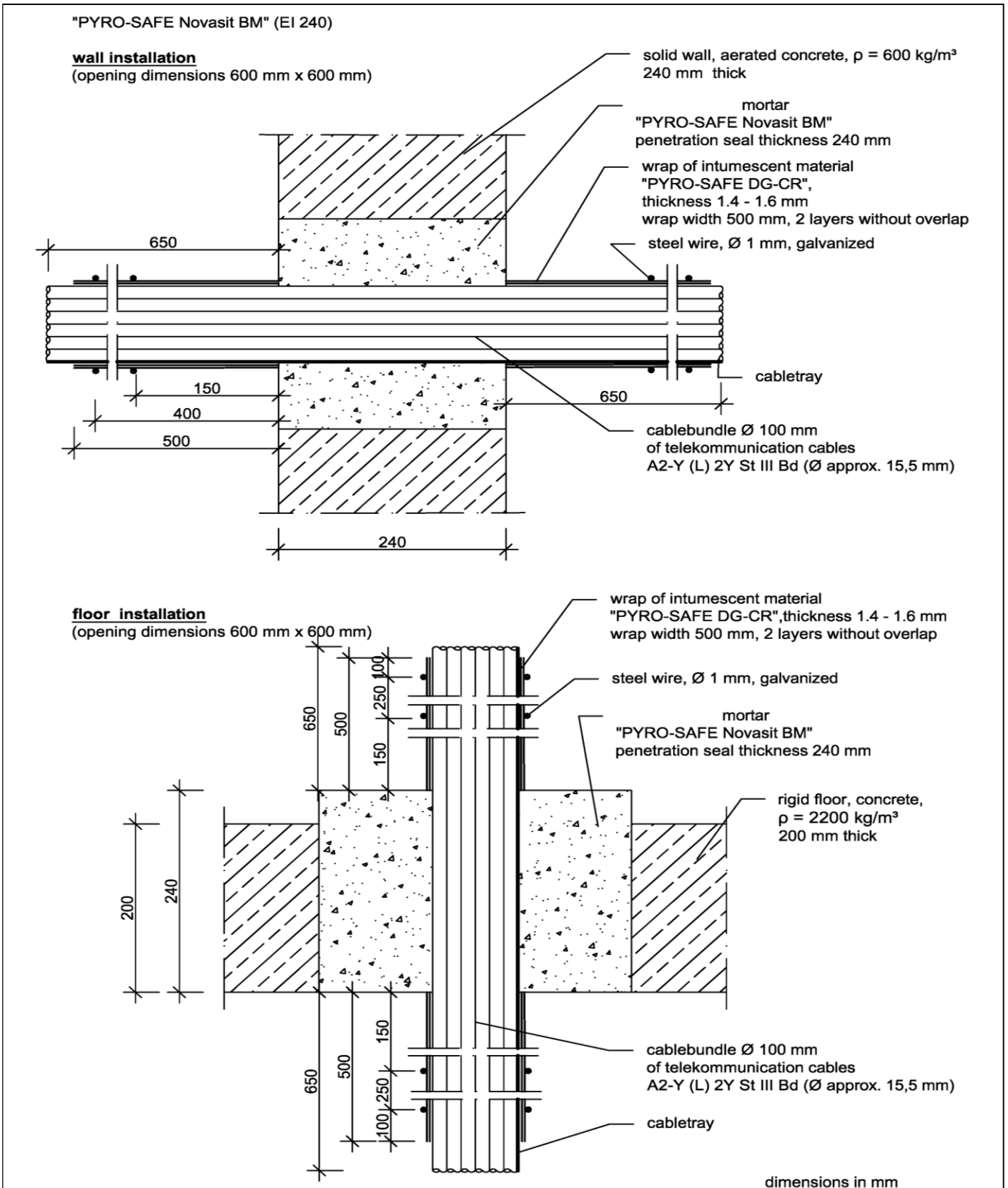
* "Speedpipe"-bundle
1 x type SRV-G 50 / 5 x 12
1 x type SRV-G 50 / 7 x 10
1 x type SRV-G 50 / 24 x 7

dimensions in mm

PYRO-SAFE NOVASIT BM

Use as a part of a pipe penetration seal (EI 120);
Examples for installation in a wall and a floor

Annex 2



electronic copy of the eta by dibt: eta-16/0132

PYRO-SAFE NOVASIT BM

Use as a part of a cable penetration seal (EI 240);
Examples for installation in a wall and a floor

Annex 3