

Approval body for construction products
and types of construction

Bautechnisches Prüfamt

An institution established by the Federal and
Laender Governments



European Technical Assessment

ETA-10/0215
of 9 February 2023

English translation prepared by DIBt - Original version in German language

General Part

Technical Assessment Body issuing the
European Technical Assessment:

Deutsches Institut für Bautechnik

Trade name of the construction product

String stair system Treppenmeister

Product family
to which the construction product belongs

Prefabricated Stair Kits

Manufacturer

Treppenmeister GmbH
Emminger Straße 38
71131 Jettingen
DEUTSCHLAND

Manufacturing plant

Treppenmeister, Plant 1 to 85

This European Technical Assessment
contains

16 pages including 3 annexes which form an integral part
of this assessment

This European Technical Assessment is
issued in accordance with Regulation (EU)
No 305/2011, on the basis of

EAD 340006-00-0506

This version replaces

ETA-10/0215 issued on 19 July 2021

The European Technical Assessment is issued by the Technical Assessment Body in its official language. Translations of this European Technical Assessment in other languages shall fully correspond to the original issued document and shall be identified as such.

Communication of this European Technical Assessment, including transmission by electronic means, shall be in full. However, partial reproduction may only be made with the written consent of the issuing Technical Assessment Body. Any partial reproduction shall be identified as such.

This European Technical Assessment may be withdrawn by the issuing Technical Assessment Body, in particular pursuant to information by the Commission in accordance with Article 25(3) of Regulation (EU) No 305/2011.

Specific Part

1 Technical description of the product

The string Stair system Treppenmeister is a prefabricated stair system, which consists of steps, strings and system fasteners. The steps are connected with the strings by system fasteners on both sides. Alternatively, for stairs with railing-high strings on the wall-free side, the steps may also be anchored to the staircase wall by two wall ties.

Handrail and barrier can be part of the stair system, but they are not necessary for the load-bearing capacity of the stair.

The steps, the landing, the strings, the handrail and the posts are made of solid wood, the railing-high strings are made of wood-based product, the balusters are made of steel or solid wood and the system fasteners are made of steel.

The product description is given in Annex A. The material values, dimensions and tolerances of the components of the stair not indicated in the annexes shall correspond to the values laid down in the technical documentation¹.

2 Specification of the intended use in accordance with the applicable European Assessment Document

The performances given in Section 3 are only valid if the stair is used in compliance with the specifications and conditions given in Annex B.

The verification and assessment methods on which this European Technical Assessment is based lead to the assumption of a working life of the stair of at least 50 years. The indications given on the working life cannot be interpreted as a guarantee given by the producer, but are to be regarded only as a means for choosing the right products in relation to the expected economically reasonable working life of the works.

¹ The technical documentation comprises all information of the manufacturer necessary for the production, installation and maintenance of the stair; these are in particular the structural analysis, design drawings and the manufacturer's installation instructions. The part to be treated confidentially is deposited with Deutsches Institut für Bautechnik and, as far as this is relevant to the tasks of the approved bodies involved in the procedure of attestation of the AVCP-System, shall be handed over to the approved body.

3 Performance of the product and references to the methods used for its assessment

3.1 Mechanical resistance and stability (BWR 1)

Essential characteristic	Performance
Load-bearing capacity <ul style="list-style-type: none"> - Load-bearing capacity of the stair - Load-bearing capacity of components of the stair - Load-bearing capacity of fixings 	Q_{RK} , q_{RK} and h_{RK} : See Annex C2 H_{RK} : No performance assessed M_{RK} , V_{RK} , N_{RK} , E , G , f_{mk} und f_{vk} : See technical documentation of this European Technical Assessment See technical documentation of this European Technical Assessment
Load-Displacement behaviour	w_q and w_Q : See Annex C2
Vibration behaviour	First natural frequency: $f_1 \geq 5$ Hz Deflection under a single load $F = 1$ kN: $w_{Q1} \leq 5$ mm
Prevention of progressive collapse	Failure of individual components of the stair does not lead to a progressive collapse of the complete stair
Residual load-bearing capacity	Local material failure does not lead to an abrupt total loss of load-bearing capacity of the stair
Long-term behaviour	Load-bearing capacity are ensured under an appropriate use and maintenance over the indicated working life
Resistance to earthquakes	No performance assessed
Durability against physical, chemical, biological agents	Adequate durability for the intended use under an appropriate use and maintenance

3.2 Safety in case of fire (BWR 2)

Essential characteristic	Performance
Reaction to fire	See Annex A6
Fire resistance	No performance assessed

3.3 Hygiene, health and the environment (BWR 3)

Essential characteristic	Performance
Release of formaldehyde <ul style="list-style-type: none"> - Solid Wood - Wood-based product 	Wood adhesive does not contain formaldehyde Class E1
Release of pentachlorophenol	No pentachlorophenol treated materials are used
Radioactive emission	No performance assessed

3.4 Safety in use (BWR 4)

Essential characteristic	Performance
Geometry	See Annex C1
Slipperiness	No performance assessed
Equipment of the stair for a safe use	Handrail and barrier can be part of the stair system (see Annex A4 and A5). If vertical balusters, arranged between step and handrail, are used as fill-in elements, climb ability for infants will not be supported Tactility and visibility: No performance assessed
Safe breakage of components	No brittle failure of individual stair components made of wood or steel ESG-H: type C according to EN 12600:2002-11 VSG: type B according to EN 12600:2002-11
Impact resistance	Verified for filling elements made of glass up to a pendulum fall height of twin tyres (weight 50 kg, 4,0 bar tyre inflation pressure) of 450 mm (Type I and Type III) and 350 mm (Type II) Pendulum tests: test assembly according to EN 12600:2002-11, impact area according to DIN 18008-4:2013-07

4 Assessment and verification of constancy of performance (AVCP) system applied, with reference to its legal base

In accordance with the European Assessment Document EAD No. 340006-00-0506 the applicable European legal act is: 1999/89/EC

The System to be applied is: 2+

In addition, with regard to reaction to fire for products covered by the European Assessment Document EAD No. 340006-00-0506 the applicable European legal act is: 2001/596/EC

The System to be applied is: 4

5 Technical details necessary for the implementation of the AVCP system, as provided for in the applicable European Assessment Document

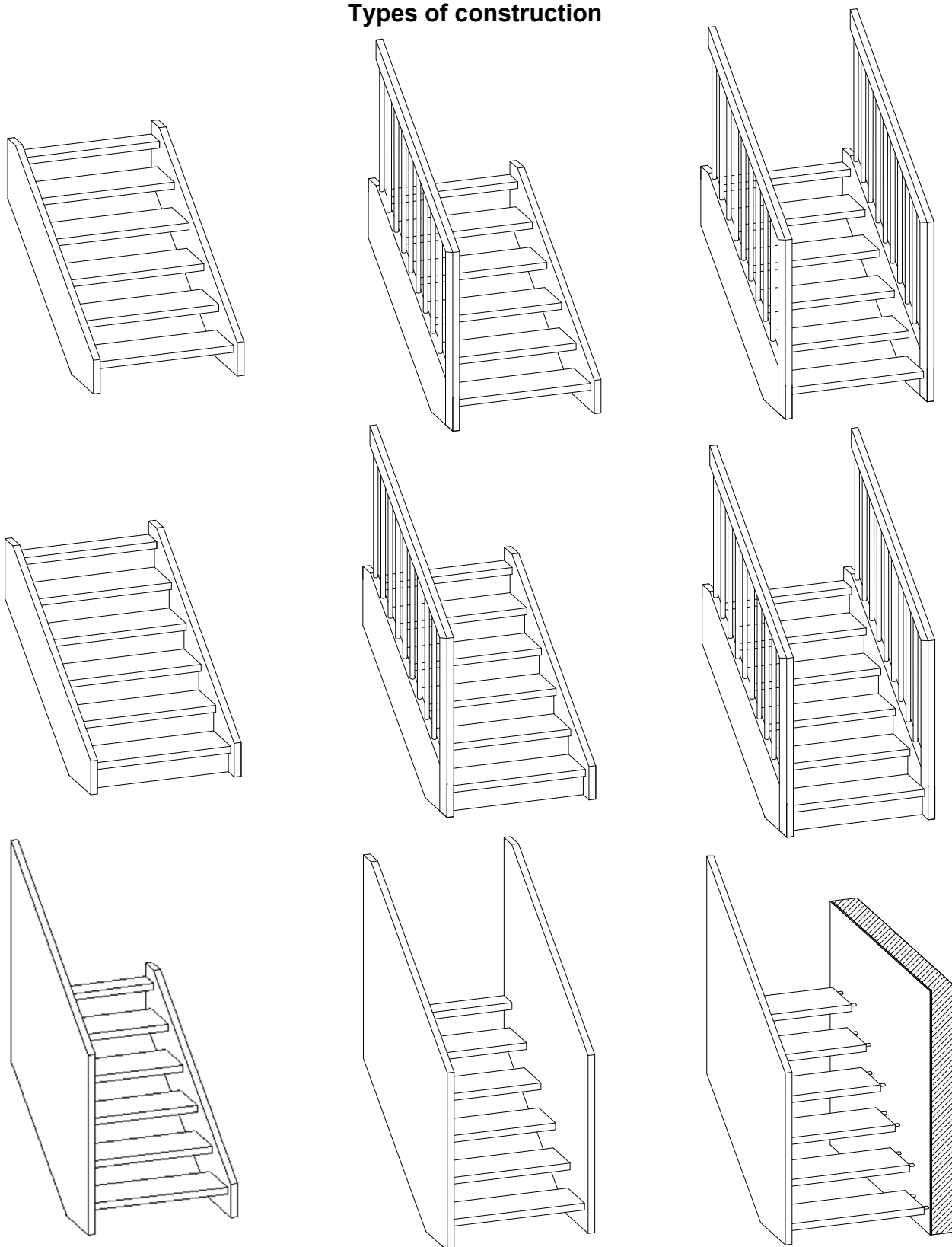
Technical details necessary for the implementation of the AVCP system are laid down in the control plan deposited at Deutsches Institut für Bautechnik.

Issued in Berlin on 9 February 2023 by Deutsches Institut für Bautechnik

Dipl.-Ing. Beatrix Wittstock
Head of Section

beglaubigt:
Stiller

Types of construction

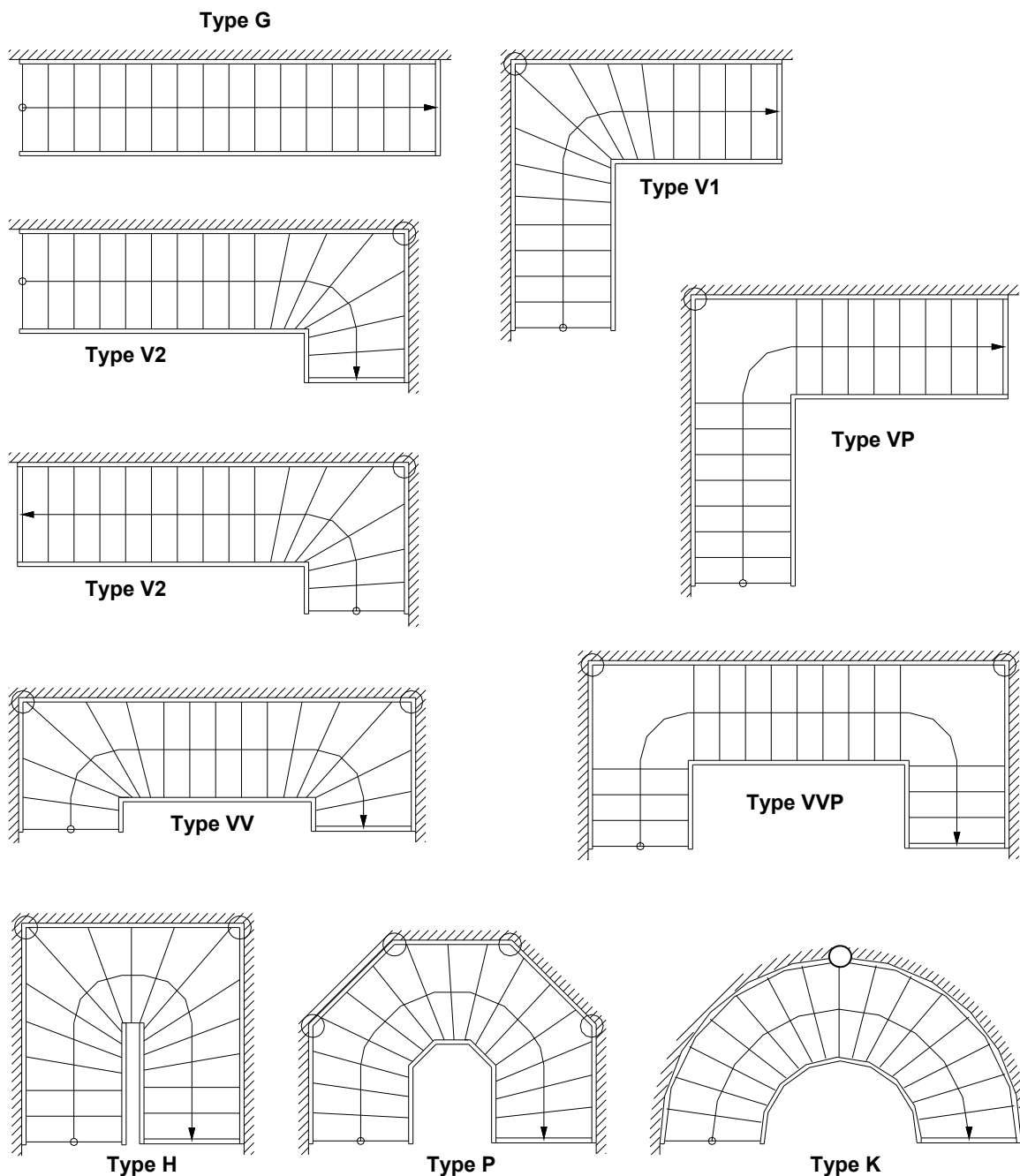


String stair system Treppenmeister

Product (types of construction)

Annex A1

Types of plan



○ Support for vertical loads

maximum number of rises, horizontal fixings to the wall and position of cross bracing according to the technical documentation

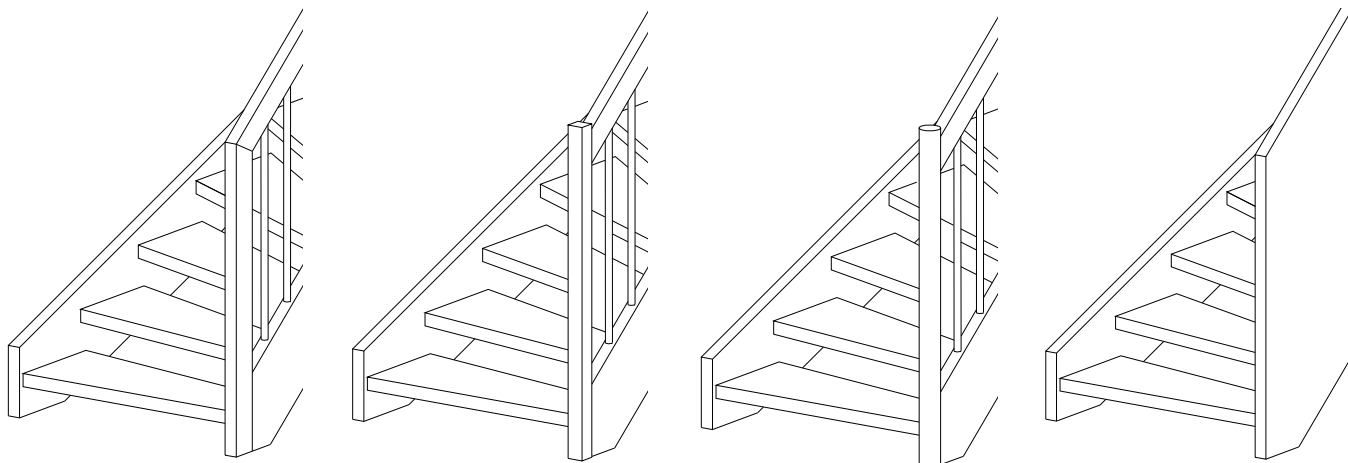
String stair system Treppenmeister

Product (types of plan)

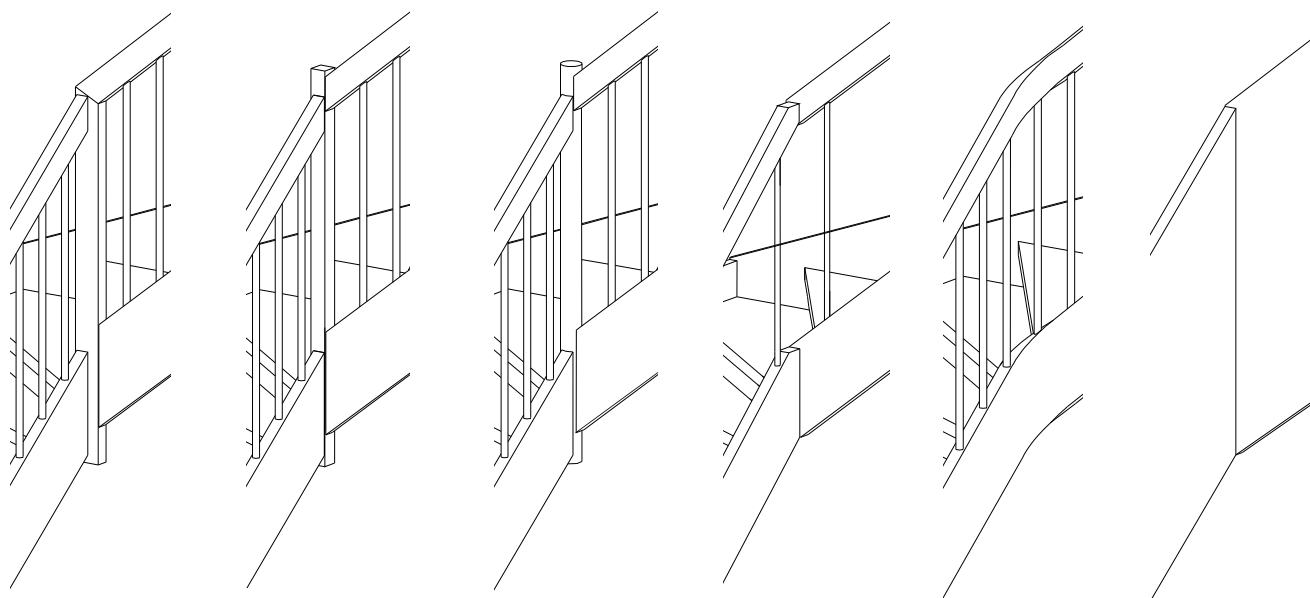
Annex A2

Barrier constructions (posts)

Post at bottom and post at the top



Middle post



More details according to the technical documentation

String stair system Treppenmeister

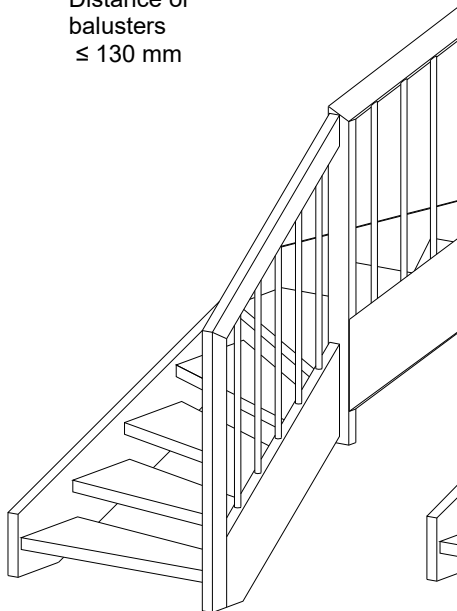
Barrier constructions (posts)

Annex A3

Barrier constructions
(Filling elements with dead load maximum of 0,23 kN/m)

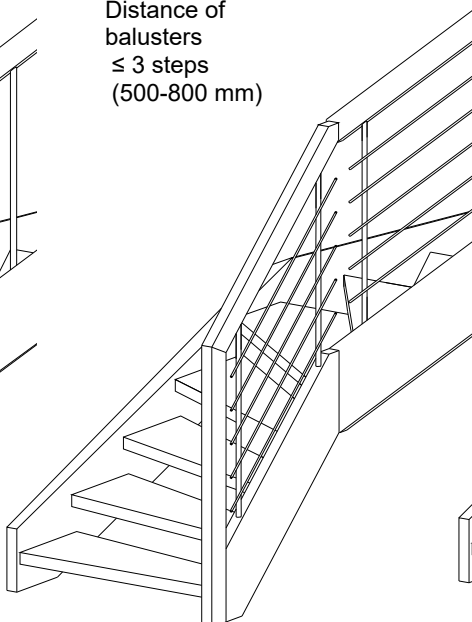
Standard barrier

Distance of
balusters
≤ 130 mm



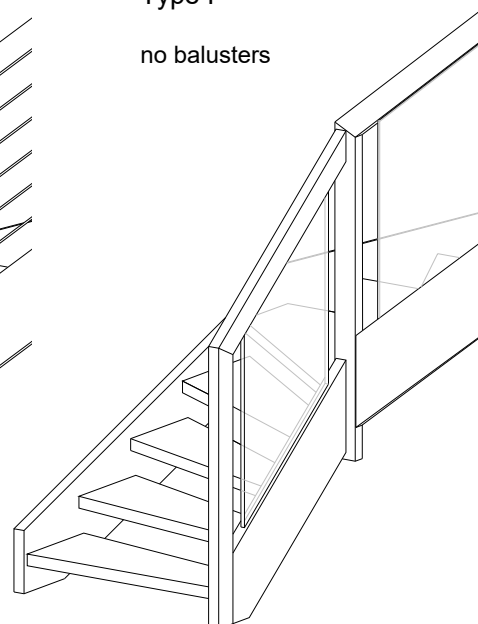
Railing barrier

Distance of
balusters
≤ 3 steps
(500-800 mm)



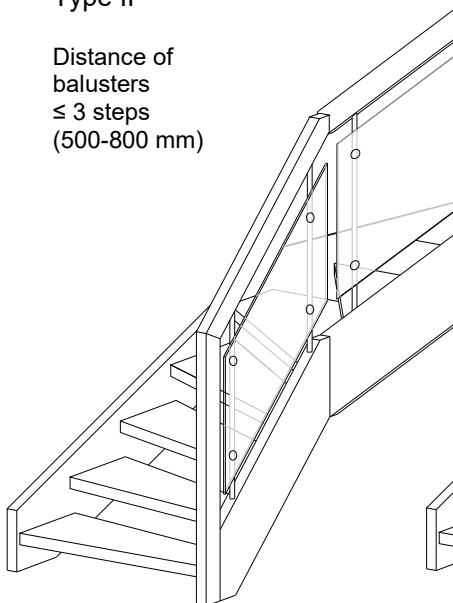
Glass barrier
Type I

no balusters



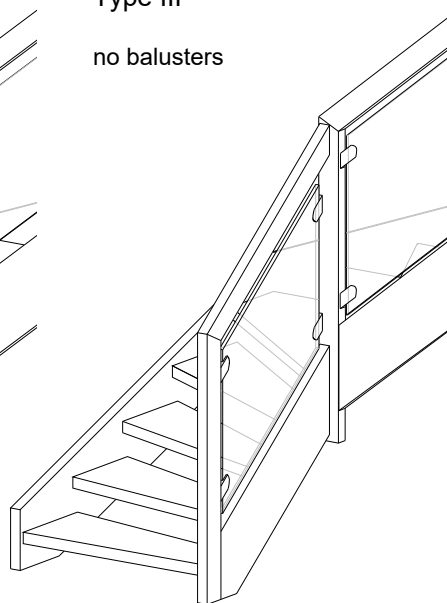
Glass barrier
Type II

Distance of
balusters
≤ 3 steps
(500-800 mm)



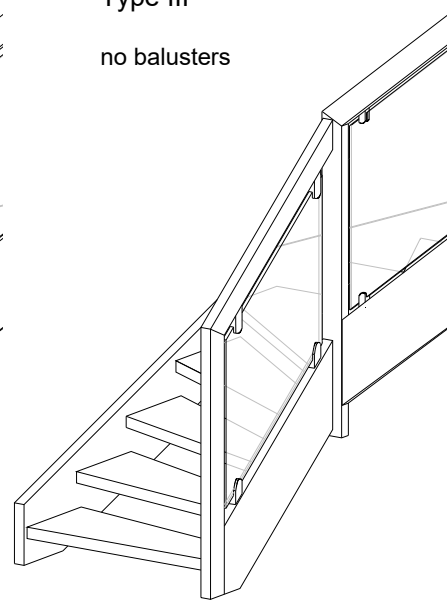
Glass barrier
Type III

no balusters



Glass barrier
Type III

no balusters

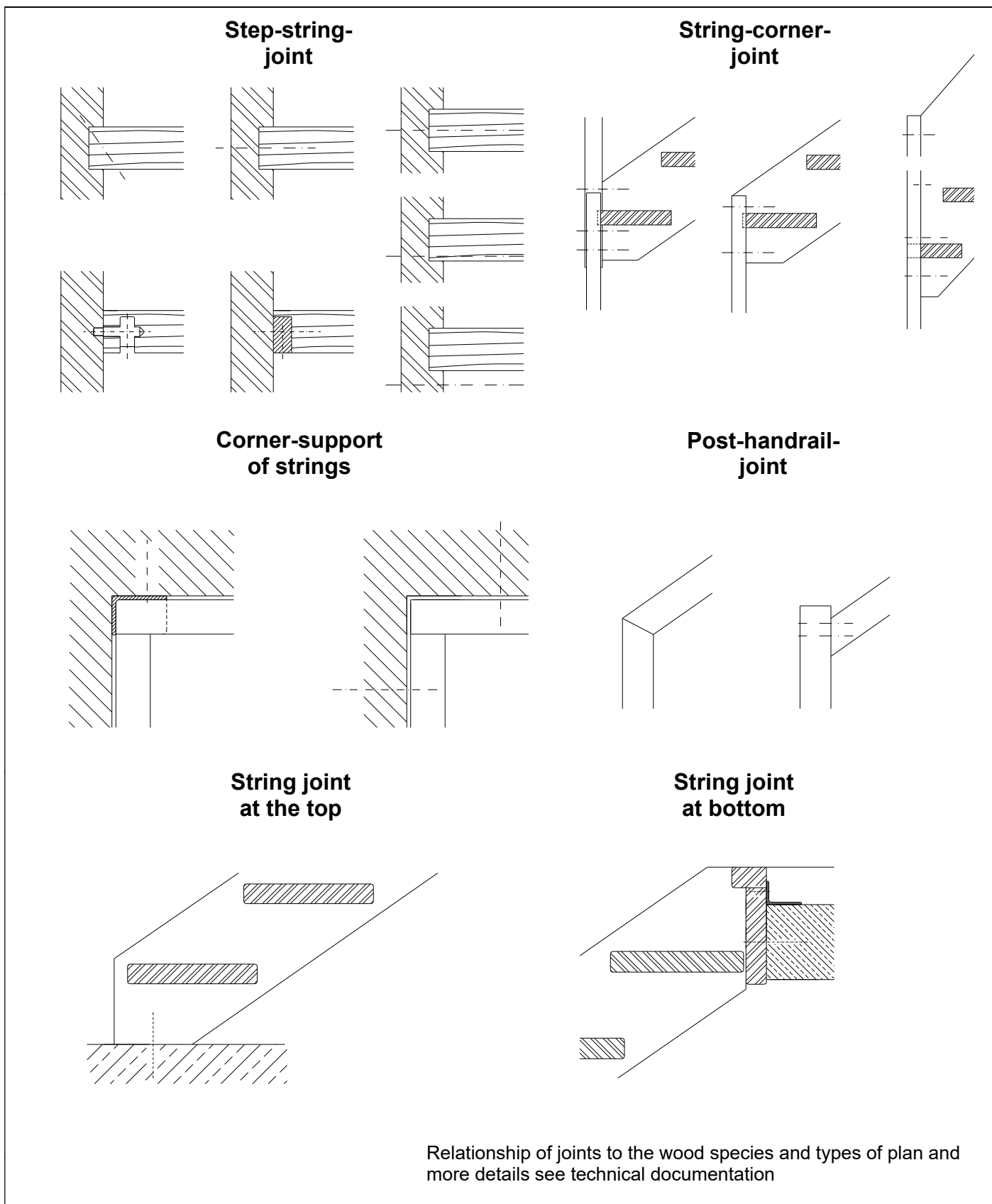


More details according to the technical documentation

String stair system Treppenmeister

Barrier constructions (fillings)

Annex A4

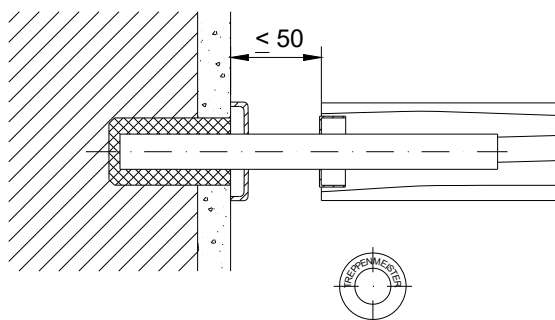


Electronic copy of the ETA by DIBt: ETA-10/0215

String stair system Treppenmeister	
Step-string-joint, String-corner-joint, Corner-support of strings, Post-handrail-joint String joint at the top, String joint at bottom	Annex A5

Wall ties

(only possible when using railing-high strings on the wall-free side)



Wall tie:

- bearing sleeve (permanently elastic)
- round steel bar \varnothing 16 mm
- ferrule
- plastic cover rosette

Table 1: Minimum dimensions of components of stair and reaction to fire

Component of stair		Material ¹⁾	Dimension		Value	Reaction to fire
Step		Solid wood ^{2) 3) 4)}	Thickness	[mm]	44 (48) ¹⁰⁾	D-s2, d0
String		Solid wood ^{2) 3) 4)}	Width x height	[mm]	44 x 240...340 ⁵⁾	D-s2, d0
		Wood-based product ¹¹⁾	Width x height	[mm]	40 x 1000	
Post	At bottom, at the top	Solid wood ²⁾	Width x height	[mm]	44 x 70, 55 x 55 ⁵⁾	D-s2, d0
	Middle post (only glass barrier Type I)	Solid wood ²⁾	Width x height	[mm]	55 x 55	
Handrail		Solid wood ²⁾	Width x height	[mm]	44 x 70 ⁶⁾	D-s2, d0
Baluster		Solid wood ²⁾	Diameter	[mm]	29	D-s2, d0
		Steel	Diameter	[mm]	16 (21,3) ⁷⁾	A1
Barrier fillings Type I		Glass ESG-H	Thickness	[mm]	8	A1
Barrier fillings Type II and Type III		Glass ESG-H	Thickness	[mm]	8	A1
		Glass VSG ⁸⁾	Thickness	[mm]	2 x 4 mm ⁸⁾	no performance assessed
Angle joints, wall ties, system fastener		Steel	Diameter	[mm]	- ⁹⁾	A1

¹⁾ Characteristic values of material according to technical documentation

²⁾ Only wood of wood species 1:

Amazakoué, Bangkirai, Bongossi, Beech, Oak, Ash, Iroko/Kambala, Merbau, Wengé, Zebrano

³⁾ Only wood of wood species 2:

Maple, Afzelia/Doussié, Acacia/Robinia, Birch, Bubinga, Cherry tree, Nut tree, Elm, Sapelli, Teak, Dibetou, Hevea

⁴⁾ Only wood of wood species 3: Pine

⁵⁾ Depending on the width of the stair (800...1200 mm), the number of rises, wood species and type of plan according to technical documentation,

⁶⁾ Depending on type of plan and number of rises according to technical documentation, differing sections see Table 2

⁷⁾ Value in brackets for railing barrier

⁸⁾ VSG consisting of 2 x 4 mm ESG and 1.52 mm PVB-foil

⁹⁾ According to technical documentation

¹⁰⁾ Value in brackets for width of the stair > 1000 mm and ≤ 1200 mm

¹¹⁾ Wood-based product: Layer structure according to technical documentation

String stair system Treppenmeister

Wall ties
Minimum dimensions of components of the stair and reaction to fire

Annex A6

Table 2: Differing minimum dimension of sections of posts and handrails

Type of plan	Component	Barrier type	Dimension width x height in mm ¹⁾
G	post bottom and top	Glass barrier Type I	100 x 44
G	handrail	Standard barrier	44 x 70 and 70 x 44
		Railing- and Glass barrier Type II and III	44 x 70 and 70...110 x 44
		Glass barrier Type I	65...170 x 44
VVP	handrail	Glass barrier Type I	44 x 70 and 60...80 x 44
VP	post bottom and top	Glass barrier Type I	55 x 55 and 90 x 55
VP	handrail	Glass barrier Type I	44 x 70 and 60...90 x 44
V2	post bottom and top	Glass barrier Type I	55 x 55 and 90 x 55
V2	handrail	Railing- and Glass barrier Type II and III	44 x 70 and 70 x 44
		Glass barrier Type I	65...110 x 44
V1	post bottom and top	Glass barrier type I	55 x 55 and 90 x 55
V1	handrail	Glass barrier Type I	44 x 70 and 60...100 x 44
VV	handrail	Glass barrier Type I	65...100 x 44
H	handrail	Glass barrier Type I	44 x 70 and 70 x 44
P	handrail	Glass barrier Type I	44 x 70 and 70 x44

¹⁾ from...to data and alternatives depend on number of rises and the horizontal support at the height of the ceiling edge, detailed values according to technical documentation

String stair system Treppenmeister

Minimum dimension of sections of posts and handrails

Annex A7

Specification of intended use (Part 1)

Intended use:

- European Technical Assessment applies for a construction system
- For the specific case of use the corresponding type of stair is manufactured within the context of the values defined in this European Technical Assessment
- Values of this ETA apply to all types of stairs according to Annex A1 and A2; the real dimensions follow in accordance with the relevant case of use

Stair subject to:

- Static and quasi static loads

Use conditions:

- Indoor stair
- Air temperatures between +5 °C and +30 °C
- Relative air humidity between 30% and 70%

Design:

- Design of the stair according to the annexes and the technical documentation of this European Technical Assessment.
- Fastening of the stair to the construction works according to the annexes and the technical documentation of this Technical European Assessment.
- Verification of the transmission of loads to the construction works by the civil engineer responsible for the construction works.
- Load bearing capacity at ultimate limit state:

$$q_k \cdot \gamma_Q \leq q_{Rk} / \gamma_M$$

$$Q_k \cdot \gamma_Q \leq Q_{Rk} / \gamma_M$$

$$h_k \cdot \gamma_Q \cdot \psi_0 \leq h_{Rk} / \gamma_M$$

with

q_{Rk}, Q_{Rk}, h_{Rk} : characteristic values of resistance; see Table 4

γ_M : recommended material partial safety factor; see Table 4

q_k, Q_k, h_k : characteristic values of imposed loads according to EN 1991-1-1:2002 + AC:2009

$\gamma_Q = 1,5$: recommended partial safety factor, in absence of other national regulations

$\psi_0 = 0,7$: recommended combination factor, in absence of other national regulations

- Maximum characteristic values of imposed loads under consideration of the partial factors mentioned above; see Table 6

String stair system Treppenmeister

Specification of intended use (Part 1)

Annex B1

Specification of intended use (Part 2)

Installation:

- Installation by personal appropriately trained and authorized by the manufacturer by means of the technical documentation of this European Technical Assessment
- Installation only in the way as specified in the technical documentation of this European Technical Assessment
- Installation of timber components when moisture content of timber components is $8 \pm 2 \%$
- Sufficient support of the stair when assembling
- Installation of stair components without imposed deformations
- Installation of stair components without significant defects and cracks
- Replacing of stair components, which begin tearing when assembling
- Bolted connections are protected such that they will not be loosened by vibrations

Indication of the manufacturer:

- Ensure that all persons involved will be appropriately informed about the specific conditions according to sections 1 and 2 (including the annexes to which reference is being made as well as the not confidential parts of the technical documentation deposited to this European Technical Assessment)
- Packaging of timber components such that the wood moisture is $8 \pm 2 \%$ during transport and storage
- Instructions for use should provide information as to use, maintenance and repair of the stair. Including the information of avoidance of moisture penetration of the timber components

String stair system Treppenmeister

Specification of intended use (Part 2)

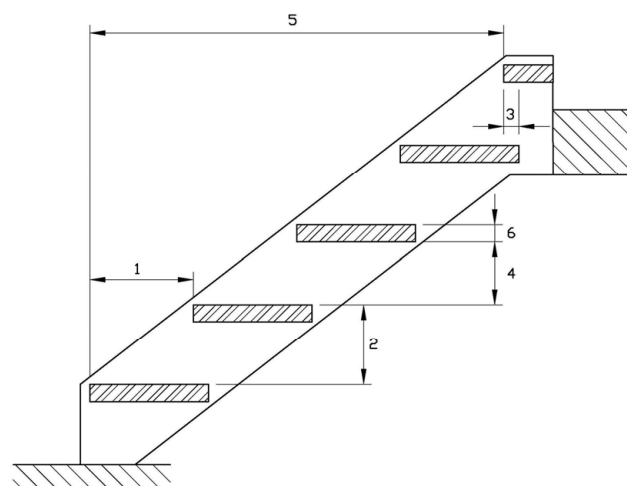
Annex B2

Table 3: Geometry

Designation			Dimension	
			Minimum	Maximum
Going	step on walking line ¹⁾	[mm]	210	370 ²⁾
	tapered step	[mm]	60 ^{2), 3)}	600 ^{2), 4)}
Rise of the stairs ¹⁾		[mm]	140 ²⁾	210
Pitch of the walking line ¹⁾		[°]	21	45
Overlap of steps	wall side	[mm]	30	- ⁵⁾
	wall-free side	[mm]	30	- ⁵⁾
Number of rises			3	20
Openings	between barrier and other parts of the stair	[mm]	0	0
	between stairs and wall	[mm]	- ⁵⁾	50
	between consecutive steps	[mm]	- ⁵⁾	166
	between balusters	[mm]	40	130 (800) ⁶⁾
Clear width of stairs		[mm]	500	1200
Minimum headroom		[mm]	- ⁵⁾	
Length of the flight		[mm]	- ⁵⁾	4940 (5980) ⁷⁾
Thickness of steps		[mm]	44	- ⁵⁾
Height of the barrier / handrail		[mm]	900	1000
Handrail	width	[mm]	44	170
	height	[mm]	44	110
	clear distance to adjacent components	[mm]	50	- ⁵⁾

- 1) Values are constant within one flight
- 2) Tolerance between nominal value and actual value = ± 5 mm
- 3) Wall-free side of tapered step
- 4) Wall side of tapered step
- 5) Not relevant
- 6) See also Annex A4
- 7) Value in brackets for stairs with landing

- 1** Going
- 2** Rise
- 3** Overlap
- 4** Opening between consecutive steps
- 5** Length of the flight
- 6** Thickness of steps



String stair system Treppenmeister

Geometry of the stair

Annex C1

Table 4: Load-bearing capacity - Characteristic values of resistance

Type of loading	Characteristic values of resistance			$\gamma_M^{1)}$
vertical variable uniformly distributed load	q_{Rk}	[kN/m ²]	5,0	1,1
vertical variable single load	Q_{Rk}	[kN]	3,3	
horizontal variable uniformly distributed load on barrier	h_{Rk}	[kN/m]	0,6	

1) Recommended partial safety factor (steel decisive), in absence of other national regulations

Table 5: Deflections under loading

Deflection of the flight under uniformly distributed load			
uniformly distributed load	q_k	[kN/m ²]	3,0
length of the median line of the flight	L	[mm]	4940 (5980) ¹⁾
deflection under load F_s related to the median line of the flight	w_q	[mm]	$\leq L/200$
Deflection of the step under single point load			
single load	Q_k	[kN]	2,0
clear width of the stair	L	[mm]	1000 - 1200 ²⁾
deflection under load F_s related to the clear width of the stair	w_Q	[mm]	$\leq L/200$

1) Value in brackets for stairs with landing

2) Depends on stair configuration

Table 6: Imposed loads

Type of loading	Imposed loads		
vertical variable uniformly distributed load	q_k	[kN/m ²]	3,0
vertical variable single load	Q_k	[kN]	2,0
horizontal variable uniformly distributed load on barrier	h_k	[kN/m]	0,5

String stair system Treppenmeister

Load-bearing capacity - Characteristic values of resistance,
Deflections under loading,
Imposed loads

Annex C2