

Public-law institution jointly founded by the federal states and the Federation

European Technical Assessment Body
for construction products



European Technical Assessment

ETA-09/0345
of 18 January 2024

English translation prepared by DIBt - Original version in German language

General Part

Technical Assessment Body issuing the European Technical Assessment:

Deutsches Institut für Bautechnik

Trade name of the construction product

RCD-WF2-Stair

Product family
to which the construction product belongs

Prefabricated stair kits

Manufacturer

RCD Treppensysteme GmbH & Co. KG
Holler Landstraße 56a
27798 Hude
DEUTSCHLAND

Manufacturing plant

Tischlerei "Ralf Carstens", Werk 1 bis 150

This European Technical Assessment
contains

12 pages including 3 annexes which form an integral part
of this assessment

This European Technical Assessment is
issued in accordance with Regulation (EU)
No 305/2011, on the basis of

EAD 340006-00-0506

This version replaces

ETA-09/0345 issued on 2 March 2015

The European Technical Assessment is issued by the Technical Assessment Body in its official language. Translations of this European Technical Assessment in other languages shall fully correspond to the original issued document and shall be identified as such.

Communication of this European Technical Assessment, including transmission by electronic means, shall be in full. However, partial reproduction may only be made with the written consent of the issuing Technical Assessment Body. Any partial reproduction shall be identified as such.

This European Technical Assessment may be withdrawn by the issuing Technical Assessment Body, in particular pursuant to information by the Commission in accordance with Article 25(3) of Regulation (EU) No 305/2011.

Specific Part

1 Technical description of the product

The "RCD-WF2-Stair" is a prefabricated stair, which consists of steps, load-bearing bolts and wall ties. The stair can also be formed as a folded plate stair by additional risers. The steps are connected with each other by a load-bearing bolt on the wall-free side and on the wall side. On the wall side each step is equipped with at least one wall tie, which is anchored in the staircase wall.

The steps and risers are made of solid wood, the load-bearing bolts are made of steel and solid wood, the fasteners and wall ties are made of steel.

The product description is given in Annex A. The material values, dimensions and tolerances of the components of the stair not indicated in the annexes shall correspond to the values laid down in the technical documentation¹.

2 Specification of the intended use in accordance with the applicable European Assessment Document

The performances given in Section 3 are only valid if the stair is used in compliance with the specifications and conditions given in Annex B.

The verification and assessment methods on which this European Technical Assessment is based lead to the assumption of a working life of the stair of at least 50 years. The indications given on the working life cannot be interpreted as a guarantee given by the producer, but are to be regarded only as a means for choosing the right products in relation to the expected economically reasonable working life of the works.

¹ The technical documentation comprises all information of the manufacturer necessary for the production, installation and maintenance of the stair; these are in particular the structural analysis, design drawings and the manufacturer's installation instructions. The part to be treated confidentially is deposited with Deutsches Institut für Bautechnik and, as far as this is relevant to the tasks of the approved bodies involved in the procedure of attestation of the AVCP-System, shall be handed over to the approved body.

3 Performance of the product and references to the methods used for its assessment

3.1 Mechanical resistance and stability (BWR 1)

Essential characteristic	Performance
Load-bearing capacity <ul style="list-style-type: none"> - Load-bearing capacity of the stair - Load-bearing capacity of components of the stair - Load-bearing capacity of fixings 	Q_{Rk} , q_{Rk} and h_{Rk} : See Annex C2 H_{Rk} : No performance assessed M_{Rk} , V_{Rk} , N_{Rk} , E , G , f_{mk} und f_{vk} : See technical documentation of this European Technical Assessment See technical documentation of this European Technical Assessment
Load-Displacement behaviour	w_q and w_Q : See Annex C2
Vibration behaviour	First natural frequency: $f_1 \geq 5$ Hz Deflection under a single load $F = 1$ kN: $w_{Q1} \leq 5$ mm
Prevention of progressive collapse	Failure of individual components of the stair does not lead to a progressive collapse of the complete stair
Residual load-bearing capacity	Local material failure does not lead to an abrupt total loss of load-bearing capacity of the stair
Long-term behaviour	Load-bearing capacity are ensured under an appropriate use and maintenance over the indicated working life
Resistance to earthquakes	No performance assessed
Durability against physical, chemical, biological agents	Adequate durability for the intended use under an appropriate use and maintenance

3.2 Safety in case of fire (BWR 2)

Essential characteristic	Performance
Reaction to fire	See Annex A3
Fire resistance	No performance assessed

3.3 Hygiene, health and the environment (BWR 3)

Essential characteristic	Performance
Release of formaldehyde	No performance assessed
Release of pentachlorophenol	No performance assessed
Radioactive emission	No performance assessed

3.4 Safety in use (BWR 4)

Essential characteristic	Performance
Geometry	See Annex C1
Slipperiness	No performance assessed
Equipment of the stair for a safe use	No performance assessed
Safe breakage of components	No brittle failure of individual components
Impact resistance	No performance assessed

4 Assessment and verification of constancy of performance (AVCP) system applied, with reference to its legal base

In accordance with the European Assessment Document EAD No. 340006-00-0506 the applicable European legal act is: 1999/89/EC

The System to be applied is: 2+

In addition, with regard to reaction to fire for products covered by the European Assessment Document EAD No. 340006-00-0506 the applicable European legal act is: 2001/596/EC

The System to be applied is: 4

5 Technical details necessary for the implementation of the AVCP system, as provided for in the applicable European Assessment Document

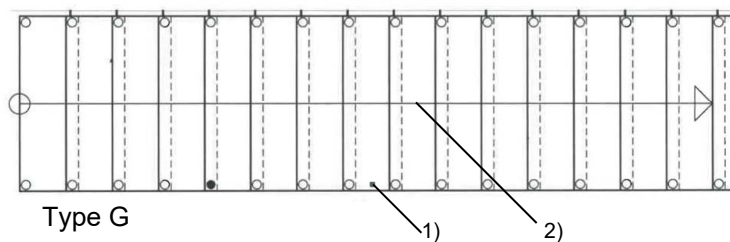
Technical details necessary for the implementation of the AVCP system are laid down in the control plan deposited at Deutsches Institut für Bautechnik.

Issued in Berlin on 18 January 2024 by Deutsches Institut für Bautechnik

Dipl.-Ing. Beatrix Wittstock
Head of Section

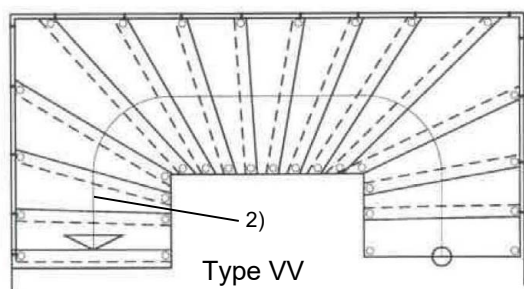
beglaubigt:
Stiller

Types of plans

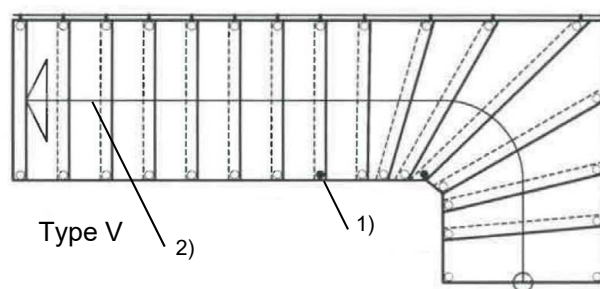


Type G

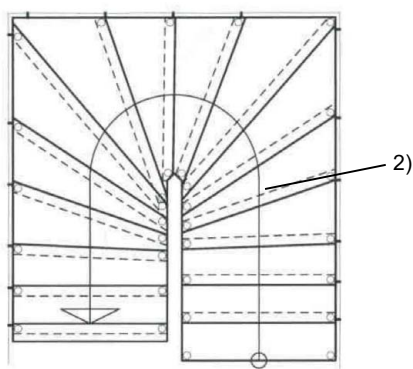
- 1) Additional support for stairs with straight flights and with one quarter turn according to technical documentation and Annex A3
- 2) Walking line is exemplified, position may be chosen freely within the walking zone, walking zone is 20 % of the clear width of the stair in the middle of the stair



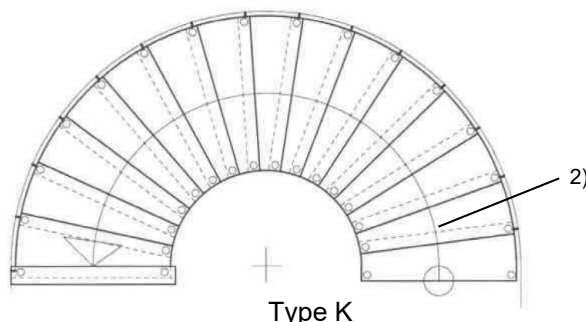
Type VV



Type V

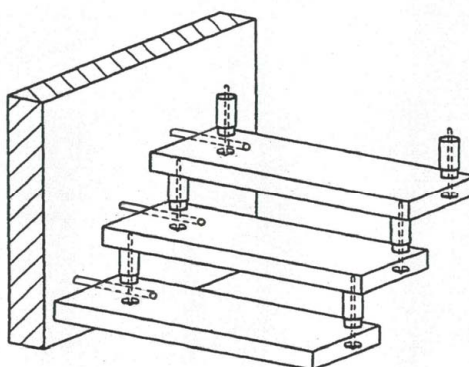


Type H



Type K

Construction



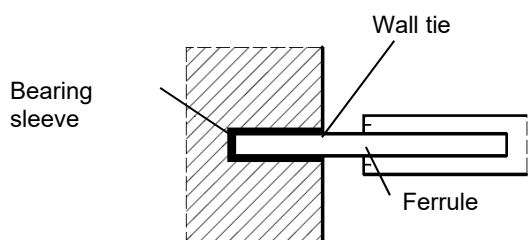
between the steps may be arranged an additional riser (according to technical documentation and Annex A2)

RCD-WF2-Stair

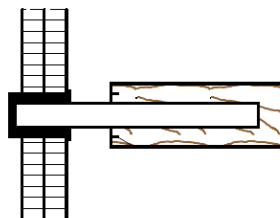
Product - Types of plans

Annex A1

Wall ties

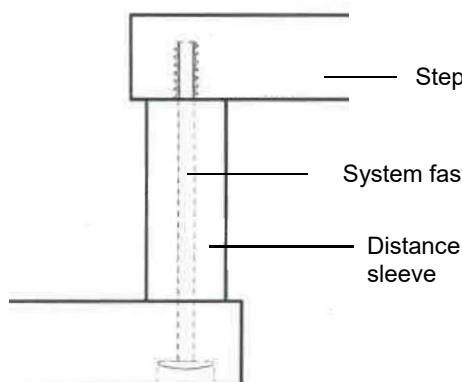


minimum wall thickness and minimum strength of wall materials according to the technical documentation

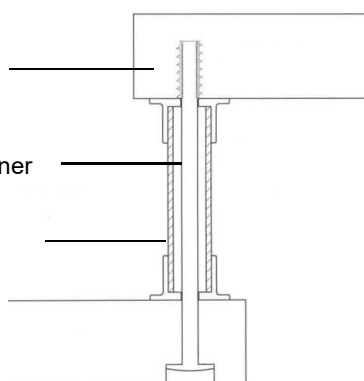


Load-bearing bolts

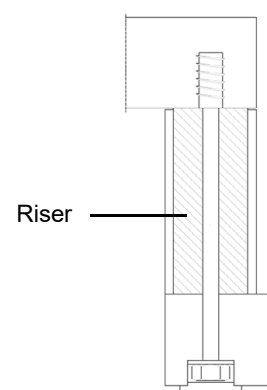
Solid wood



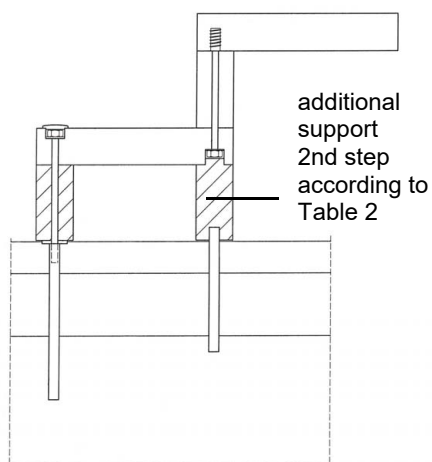
Steel



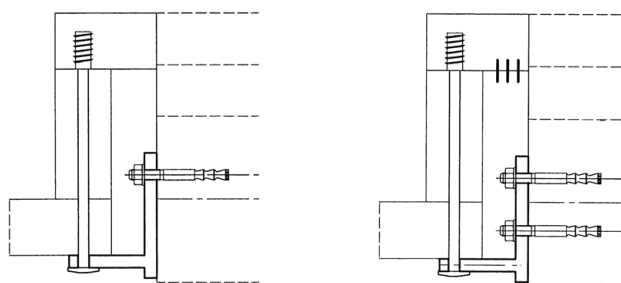
Solid wood with riser



Support at bottom step



Support at the top



more details according to the technical documentation

RCD-WF2-Stair

Load-bearing bolts, wall ties, support at bottom step and at the top

Annex A2

Table 1: Minimum dimensions of relevant stair components and reaction to fire

Component	Material ¹⁾	Dimension		Value	Reaction to fire
steps, risers	solid wood ²⁾	thickness	[mm]	54 ³⁾	D-s2, d0
load-bearing bolt-system fastener	steel	diameter	[mm]	10	A1
load-bearing bolt-distance sleeve	solid wood ²⁾	diameter	[mm]	50 ³⁾	D-s2, d0
	solid wood ²⁾	cross section a x b	[mm]	- ³⁾	
	Steel pipe	diameter / thickness of wall	[mm]	26,9 / 3,2 ⁴⁾	A1
wall tie	round steel	diameter	[mm]	16	A1
		embedment depth wall	[mm]	65 (43) ⁵⁾	
		embedment depth step	[mm]	105	
bearing sleeve (wall tie)	plastics	diameter	[mm]	25	Not relevant

- 1) characteristic values of material according to technical documentation
 2) only hardwood of the following species: beech, oak, maple, ash
 3) thicknesses of steps and distance sleeves for the relevant types of plans according to Table 2
 4) with socket
 5) value in brackets for OSB-Wall

Table 2: Minimum dimensions of thickness of steps and distance sleeves depending on additional support

Type of plan	Position of the additional support	Thickness of steps [mm]	Distance sleeve round [mm]	Distance sleeve square [mm x mm]
Type G ¹⁾	-	77	77	66 x 70
	Step 8 ²⁾	59	59	48 x 48
Type V ¹⁾	-	64	64	53 x 100
	Step 13 ²⁾	56	56	45 x 135
	Step 10 ²⁾	54	54	43 x 135
Type VV	-	58	58	47 x 190
Type H	-	54	54	43 x 135
Type K	-	54	54	43 x 135

- 1) These types have to be supported on the wall-free side on the rear edge of first step generally.
 2) Additional support for vertical loads at maximum number of steps (supports for less steps according to technical documentation)

RCD-WF2-Stair	Annex A3
Minimum dimensions of relevant stair components and reaction to fire	

Specification of intended use (Part 1)

Intended use:

- European Technical Assessment applies for a construction system.
- For the specific case of use the corresponding type of stair is manufactured within the context of the values defined in the European Technical Assessment.
- Values of this ETA apply to all types of stairs; the real dimensions follow in accordance with the relevant case of use.

Stair subject to:

- Static or quasi-static loads

Use conditions:

- Indoor stair
- Air temperatures between +5 °C and +30 °C
- Relative air humidity between 30 % and 70 %
- To the individual requirements handrail and barrier may be attached to the stair optionally. Conditions for possible barrier/handrail:
 - Dead load $\leq 0,15$ kN/m
 - Height $\leq 0,90$ m
 - Distance of baluster $\leq 1,00$ m

Design:

- Design of the stair according to the annexes and the technical documentation to this European Technical Assessment
- Fastening of the stair to the construction works according to the annexes and the technical documentation to this European Technical Assessment
- Verification of the transmission of loads to the construction works by the civil engineer responsible for the construction works
- Load-bearing capacity at ultimate limit state:

$$q_k \cdot \gamma_Q \leq q_{Rk} / \gamma_M$$

$$Q_k \cdot \gamma_Q \leq Q_{Rk} / \gamma_M$$

$$h_k \cdot \gamma_Q \cdot \psi_0 \leq h_{Rk} / \gamma_M$$

with

q_{Rk}, Q_{Rk}, h_{Rk} : characteristic values of resistance; see Table 3

γ_M : recommended material partial safety factor; see Table 3

q_k, Q_k, h_k : characteristic values of imposed loads according to EN 1991-1-1:2002 + AC:2009

$\gamma_Q = 1,5$: recommended partial safety factor, in absence of other national regulations

$\psi_0 = 0,7$: recommended combination factor, in absence of other national regulations

- Maximum characteristic values of imposed loads under consideration of the partial factors mentioned above; see Table 5

RCD-WF2-Stair

Specification of intended use (Part 1)

Annex B1

Specification of intended use (Part 2)

Installation:

- Installation by personal appropriately trained and authorized by the manufacturer by means of the technical documentation of this European Technical Assessment
- Installation only in the way as specified in the technical documentation of this European Technical Assessment
- Installation of timber components when moisture content of timber components is $8 \pm 2 \%$
- Sufficient support of the stair when assembling
- Installation of stair components without imposed deformations
- Installation of stair components without significant defects and cracks
- Replacing of stair components, which begin tearing when assembling
- Bolted connections are protected such that they will not be loosened by vibrations

Indication of the manufacturer:

- Ensure that all people involved will be appropriately informed about the specific conditions according to sections 1 and 2 (including the annexes to which reference is being made as well as the not confidential parts of the technical documentation deposited to this European Technical Assessment)
- Packaging of timber components such that the wood moisture is $8 \pm 2 \%$ during transport and storage
- Instructions for use should provide information as to use, maintenance and repair of the stair. Including the information of avoidance of moisture penetration of the timber components, retightens the bolting of the load-bearing bolts and connections according to Annex A2 after the first heating season and the information on the relationship between moisture content of timber components, air temperature and relative air humidity

RCD-WF2-Stair

Specification of intended use (Part 2)

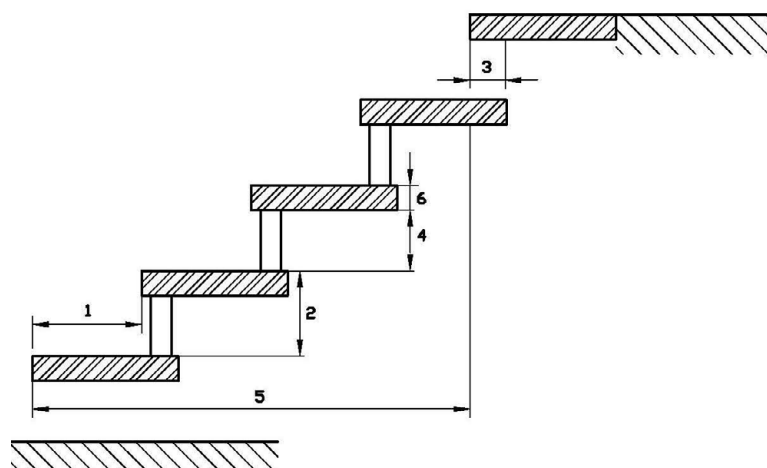
Annex B2

Table 3: Geometry

designation			dimension	
			minimum	maximum
going	step on walking line ¹⁾	[mm]	210	300 ²⁾
	tapered step	[mm]	160 ^{2) 3)}	540 ^{2) 4)}
rise of the stairs ¹⁾		[mm]	140 ²⁾	210
pitch of the walking line ¹⁾		[°]	21	45
overlap of the steps		[mm]	60 ⁶⁾	- ⁵⁾
number of rises		[-]	3	16
openings	between stairs and wall	[mm]	- ⁵⁾	30
	between consecutive steps	[mm]	- ⁵⁾	156
clear width of stairs		[mm]	500	1000
minimum headroom		[mm]	- ⁵⁾	
length of the flight		[mm]	- ⁵⁾	3900
thickness of steps		[mm]	54	- ⁵⁾

- 1) values are constant within one flight
- 2) tolerance between nominal value and actual value = ± 5 mm
- 3) inside of tapered step
- 4) outside of tapered step
- 5) not relevant
- 6) with riser overlap 0 mm

- 1 going
- 2 rise
- 3 overlap
- 4 opening between consecutive steps
- 5 length of the flight
- 6 thickness of steps



RCD-WF2-Stair

Geometry of the stair

Annex C1

Table 3: Load-bearing capacity – Characteristic values of resistance

Type of loading	Characteristic values of resistance			γ_M
Vertical variable uniformly distributed load	q_{Rk}	[kN/m ²]	6,75	1,5 ¹⁾
Vertical variable single load	Q_{Rk}	[kN]	4,5	
Horizontal variable uniformly distributed load on barrier	h_{Rk}	[kN/m]	0,8	

¹⁾ Recommended partial safety factor, in absence of other national regulations

Table 4: Deflections under loading

Deflection of the flight under uniformly distributed load			
Uniformly distributed load	q_k	[kN/m ²]	3,0
Length of the median line of the flight	L	[mm]	3900 ¹⁾
Deflection related to the median line of flight	w_q	[mm]	≤ L/200
Deflection under single load			
Single load	Q_k	[kN]	2,0
Clear width of the stair	L	[mm]	1000
Deflection related to the clear width of stair	w_Q	[mm]	≤ L/200

¹⁾ with additional support according to Table 2: L = reference length = distance between supports

Table 5: Imposed loads

Type of loading	Imposed loads		
Vertical variable uniformly distributed load	q_k	[kN/m ²]	3,0
Vertical variable single load	Q_k	[kN]	2,0
Horizontal variable uniformly distributed load on barrier	h_k	[kN/m]	0,5

RCD-WF2-Stair

Load-bearing capacity – Characteristic values of resistance
Deflection under loading
Imposed loads

Annex C2